



US00D841296S

(12) **United States Design Patent** (10) **Patent No.:** **US D841,296 S**  
**Sood** (45) **Date of Patent:** **\*\* Feb. 26, 2019**

(54) **HAT BRIM**  
(71) Applicant: **Sabina Sood**, San Diego, CA (US)  
(72) Inventor: **Sabina Sood**, San Diego, CA (US)  
(\*\*) Term: **15 Years**

5,557,807 A 9/1996 Hujar et al.  
D379,679 S \* 6/1997 Poole ..... D29/104  
5,657,490 A 8/1997 Edmark  
5,664,261 A 9/1997 Lacy  
D385,091 S 10/1997 Rodgers  
D392,926 S 3/1998 Adelaar  
5,754,983 A 5/1998 Landers  
(Continued)

(21) Appl. No.: **29/590,650**  
(22) Filed: **Jan. 12, 2017**  
(51) **LOC (11) Cl.** ..... **02-03**  
(52) **U.S. Cl.**  
USPC ..... **D2/893**  
(58) **Field of Classification Search**  
USPC ..... D2/865, 866, 867, 868, 869, 870, 871,  
D2/872, 873, 874, 875, 876, 877, 878,  
D2/879, 880, 881, 882, 883, 884, 886,  
D2/888, 889, 890, 891, 892, 893, 894,  
D2/895; D29/122  
CPC .. A42B 1/00; A42B 1/02; A42B 1/062; A42B  
1/063; A42B 1/22; A42B 1/201  
See application file for complete search history.

**OTHER PUBLICATIONS**

Kickstarter—Shaya Brims—100% Water-Proof, UV Protected Hats, [on-line article]; [“Launch” Internet publication date: Dec. 24, 2017]; [retrieved from the Internet on Nov. 26, 2018]; URL: see bottom of first page. (3 pgs). (Year: 2017).\*

*Primary Examiner* — Karen S Acker  
*Assistant Examiner* — Jasmine Mlinarcik  
(74) *Attorney, Agent, or Firm* — MP Patents, LLC

(57) **CLAIM**

The ornamental design for a hat brim, as shown and described.

**DESCRIPTION**

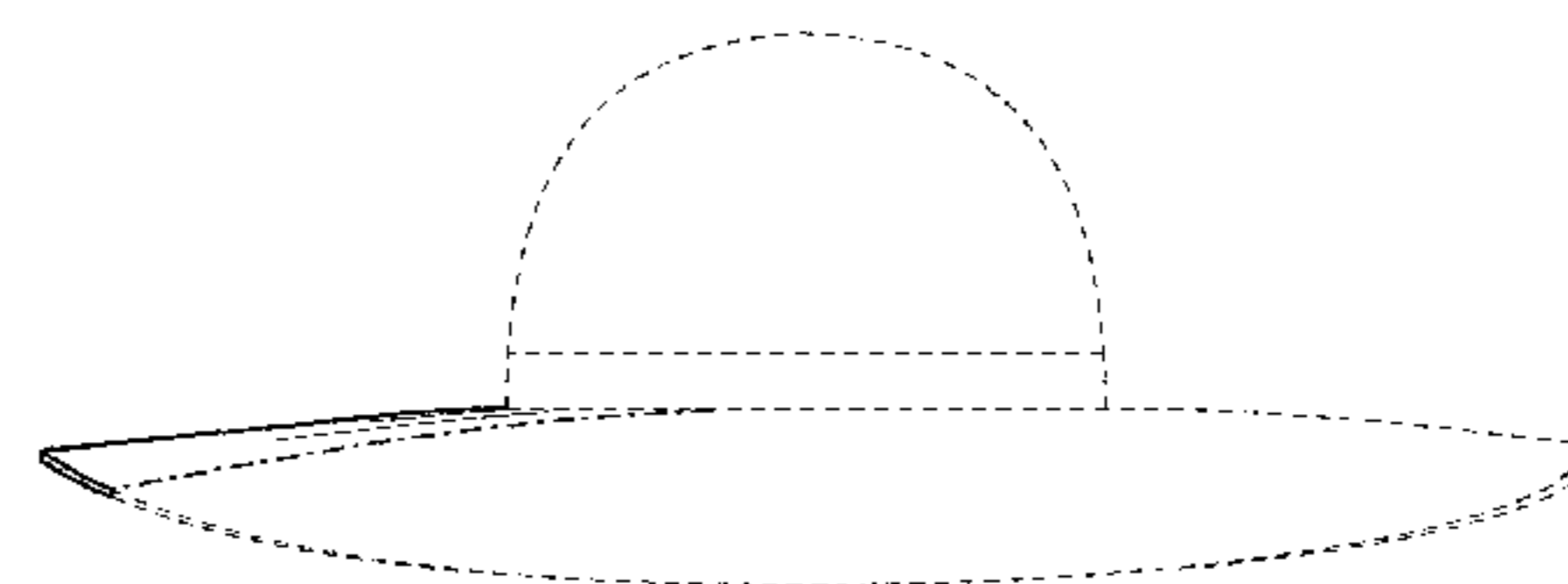
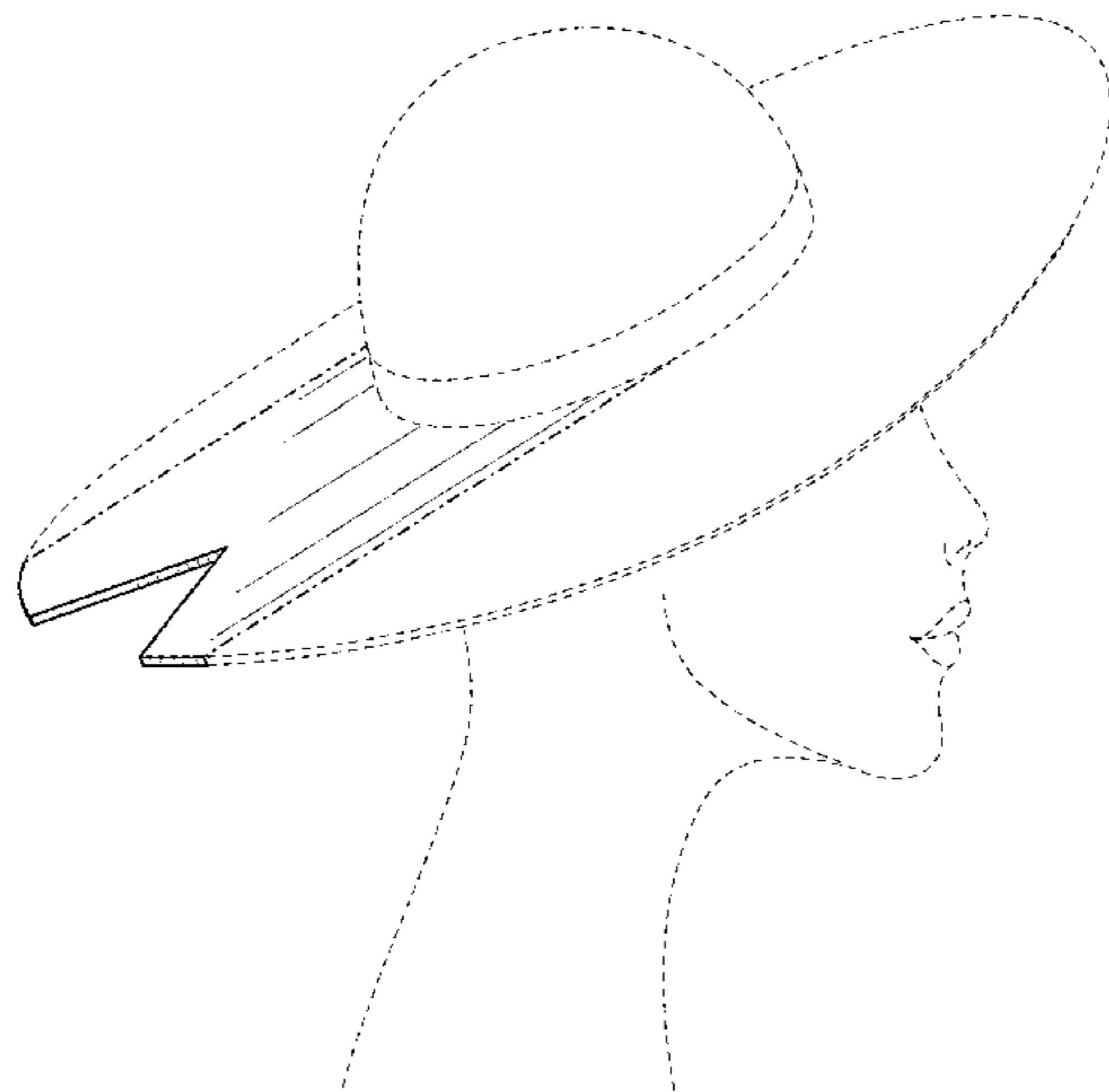
FIG. 1 is a top left perspective view of a hat brim in use; FIG. 2 is a bottom right perspective view of the hat brim; FIG. 3 is a front view thereof; FIG. 4 is a rear view thereof; FIG. 5 is a left side view thereof; FIG. 6 is a right side view thereof; FIG. 7 is a top view thereof; and, FIG. 8 is a bottom view thereof. The broken-line outline of the partial human figure illustrates how the claimed design may appear when worn and forms no part of the claimed design. The portion of the hat rendered in broken lines depicts environmental structure that forms no part of the claimed design. The dot and dashed lines form a boundary to the claimed design and form no part thereof.

**1 Claim, 3 Drawing Sheets**

(56) **References Cited**

**U.S. PATENT DOCUMENTS**

1,673,859 A	6/1928	Wittcoff	
2,393,286 A	1/1946	Brunner	
2,495,041 A	1/1950	Weiss	
2,684,483 A	7/1954	Kwake	
4,096,590 A	6/1978	Keshock	
4,292,689 A	10/1981	Townsend	
D280,147 S	8/1985	Wolff	
D314,857 S	2/1991	Vossler	
5,046,193 A	9/1991	Foresman et al.	
5,046,195 A *	9/1991	Koritan .....	A41D 13/0512 2/172
5,083,317 A	1/1992	DeMoreta	
5,091,995 A	3/1992	Dates	
D333,558 S	3/1993	Vossler	
D352,596 S	11/1994	Williams	
D371,451 S	7/1996	Foray	
5,548,846 A	8/1996	Bianchetti	



(56)

References Cited

U.S. PATENT DOCUMENTS

5,765,229	A	6/1998	McLeod et al.				
5,862,523	A	1/1999	Proctor				
5,950,241	A	9/1999	Gomez				
6,029,272	A	2/2000	Bazin				
6,101,632	A	8/2000	Veazey				
6,216,277	B1	4/2001	Cheng				
D444,292	S *	7/2001	Wang .....	D2/882			
6,256,794	B1	7/2001	Erickson				
6,341,380	B1	1/2002	Coleman				
6,343,382	B2	2/2002	Sciglia				
D455,538	S *	4/2002	Rhoden .....	D2/869			
6,526,596	B2	3/2003	Anderson				
D473,695	S	4/2003	Butcher				
D478,409	S	8/2003	Lesley				
6,671,885	B2	1/2004	Viggiano				
6,868,560	B2	3/2005	Bostock				
6,966,071	B1	11/2005	Cascone				
D548,429	S *	8/2007	Saveliev .....	D2/882			
D552,330	S *	10/2007	Saveliev .....	D2/893			
D552,331	S *	10/2007	Saveliev .....	D2/893			
D554,829	S	11/2007	Saveliev				
D555,996	S	11/2007	Romero				
D556,429	S *	12/2007	Saveliev .....	D2/893			
D604,930	S	12/2009	Denny				
D605,380	S	12/2009	Denny				
D606,287	S	12/2009	Denny				
D623,831	S	9/2010	Parsons et al.				
D637,378	S	5/2011	Cornwell				
D654,252	S	2/2012	Denny				
D654,254	S	2/2012	Denny				
D656,714	S *	4/2012	Schmelzer .....	D2/893			
D657,535	S	4/2012	Chekrallah				
D657,536	S	4/2012	Randolph				
8,375,469	B2	2/2013	Duwyn-Zylstra				
D688,034	S	8/2013	Hatif				
8,550,099	B2	10/2013	Essex				
D712,635	S *	9/2014	Rivas .....	D2/882			
8,850,618	B2	10/2014	Wu				
D720,502	S	12/2014	Schrock				
D721,874	S	2/2015	Robbins et al.				
8,950,012	B2	2/2015	Ilges et al.				
D723,769	S	3/2015	Land				
D747,856	S	1/2016	Foster				
D749,269	S	2/2016	Tutor				
D749,307	S	2/2016	Denny				
D750,355	S	3/2016	Watkins				
9,402,432	B2	8/2016	Dean				
9,427,038	B2	8/2016	Bundy et al.				
9,439,466	B2	9/2016	Woo				
D768,361	S	10/2016	Watkins				
D806,366	S *	1/2018	Hamilton .....	D2/893			
D825,151	S *	8/2018	Williams .....	D2/882			
2004/0093658	A1	5/2004	Jackson				
2005/0229290	A1	10/2005	Brooks				
2007/0245458	A1	10/2007	McGee				
2010/0107308	A1	5/2010	Hosie et al.				
2010/0132092	A1	6/2010	Temblador				
2011/0094013	A1	4/2011	Zumwalt et al.				
2013/0125292	A1	5/2013	Weaver et al.				
2014/0047617	A1	2/2014	Abers				
2014/0223636	A1	8/2014	Leon				
2014/0230114	A1	8/2014	Wilson				
2014/0345028	A1	11/2014	Gellis				
2015/0150328	A1	6/2015	Knight				
2016/0157548	A1	6/2016	Copeland et al.				
2018/0228240	A1 *	8/2018	Sood .....	A42B 3/125			

\* cited by examiner



FIG. 1

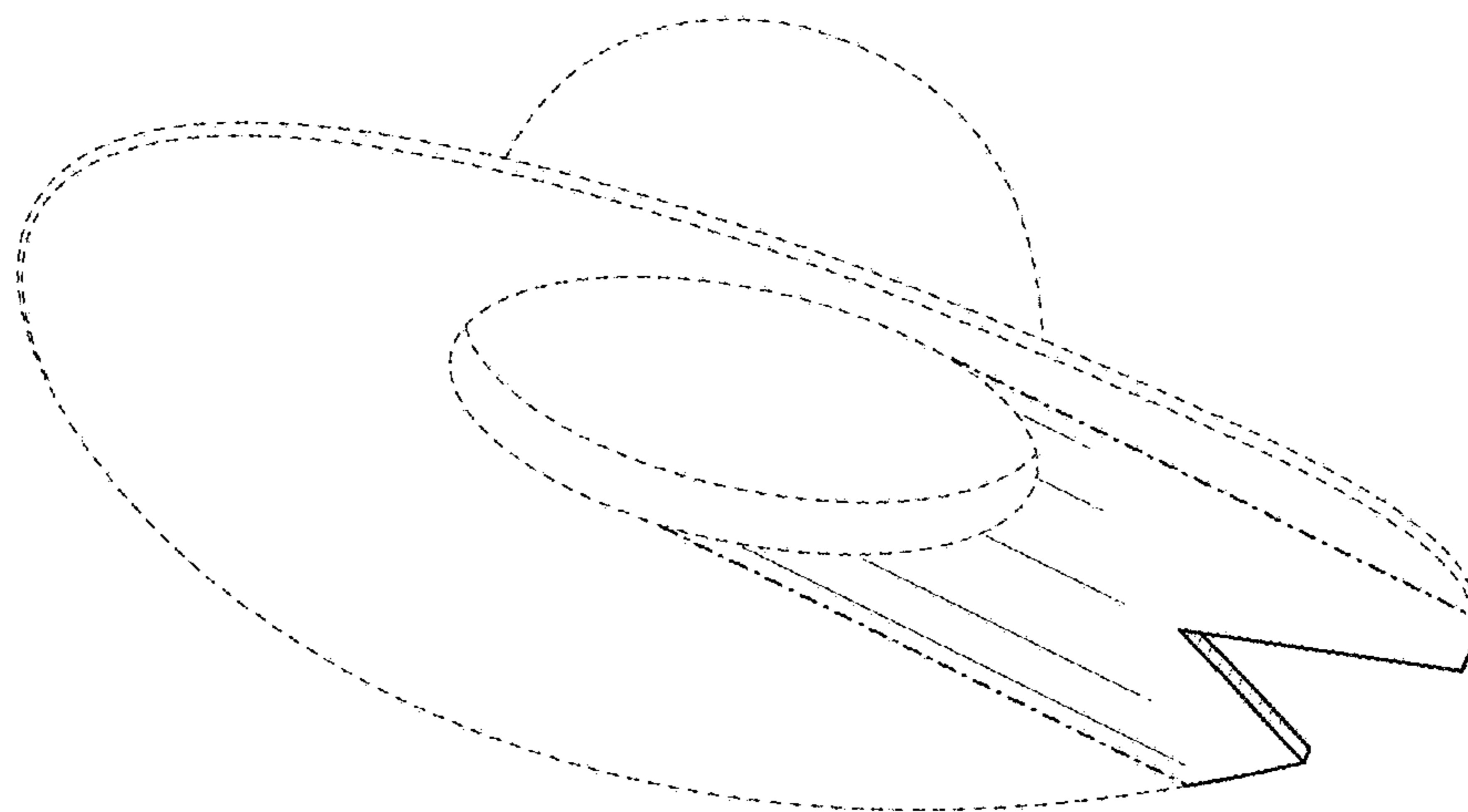


FIG. 2

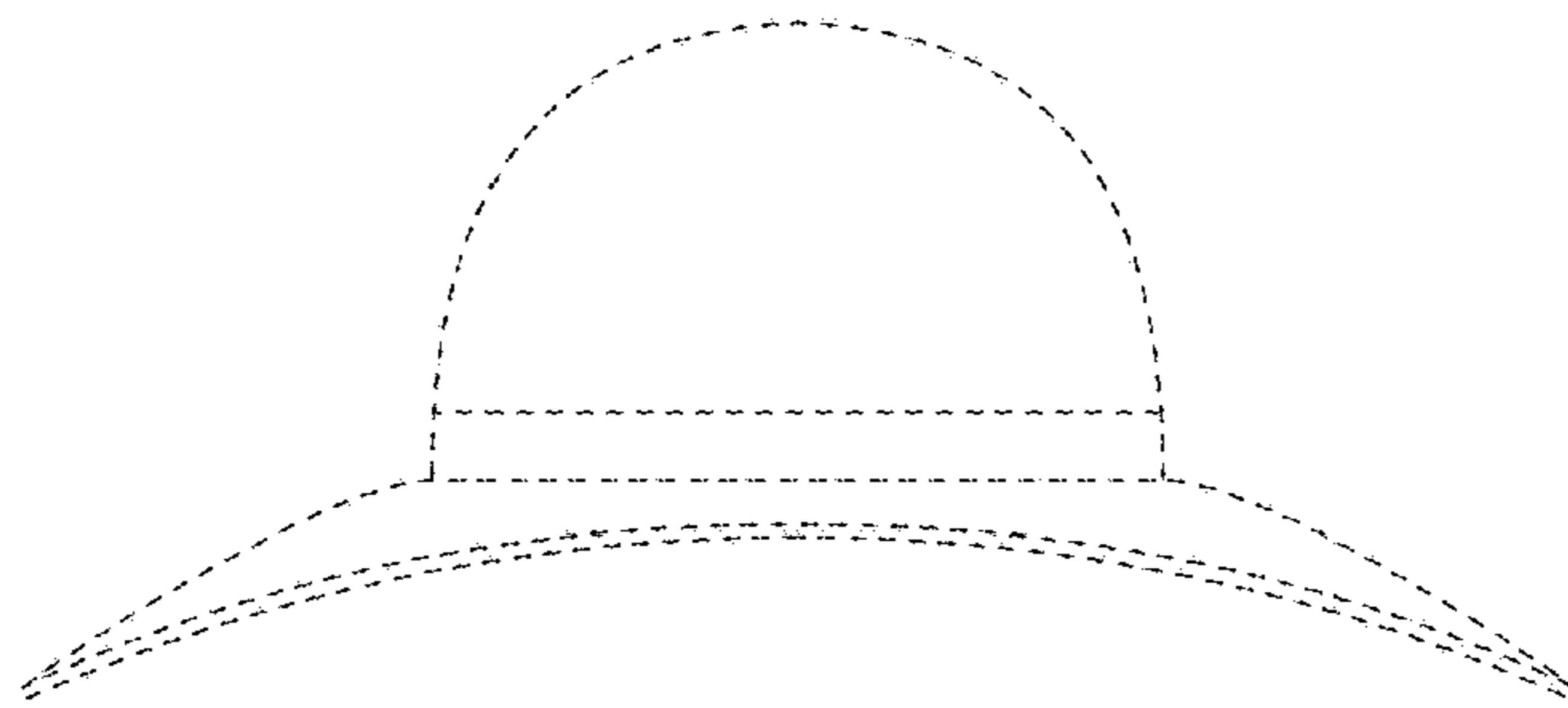


FIG. 3

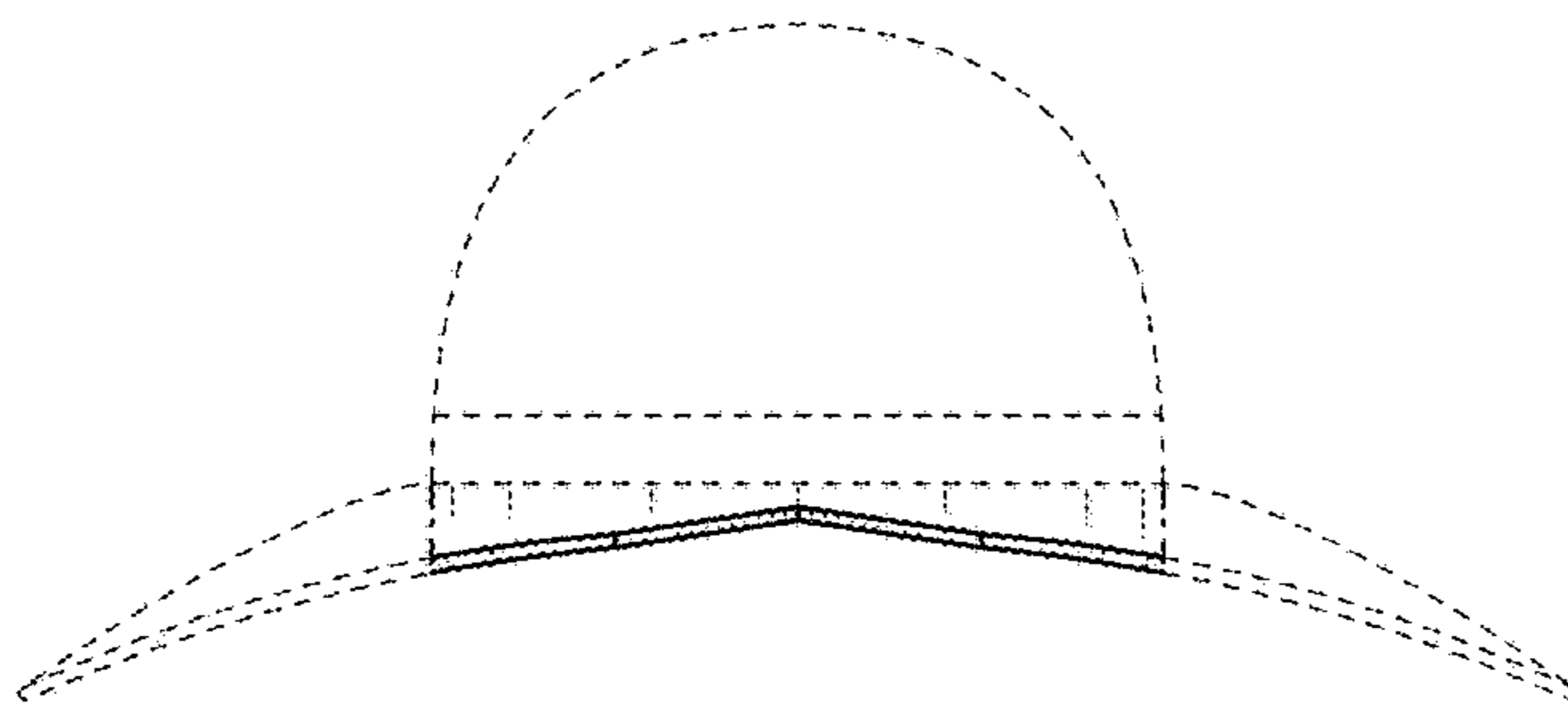


FIG. 4

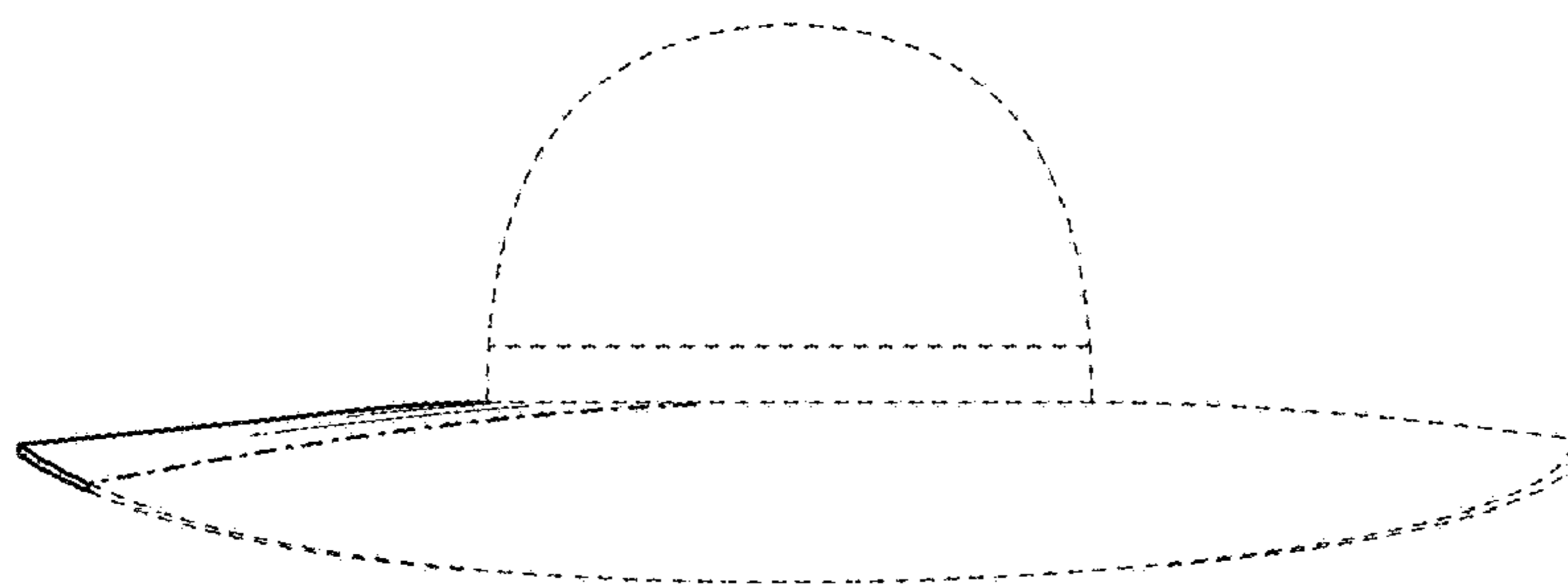


FIG. 5

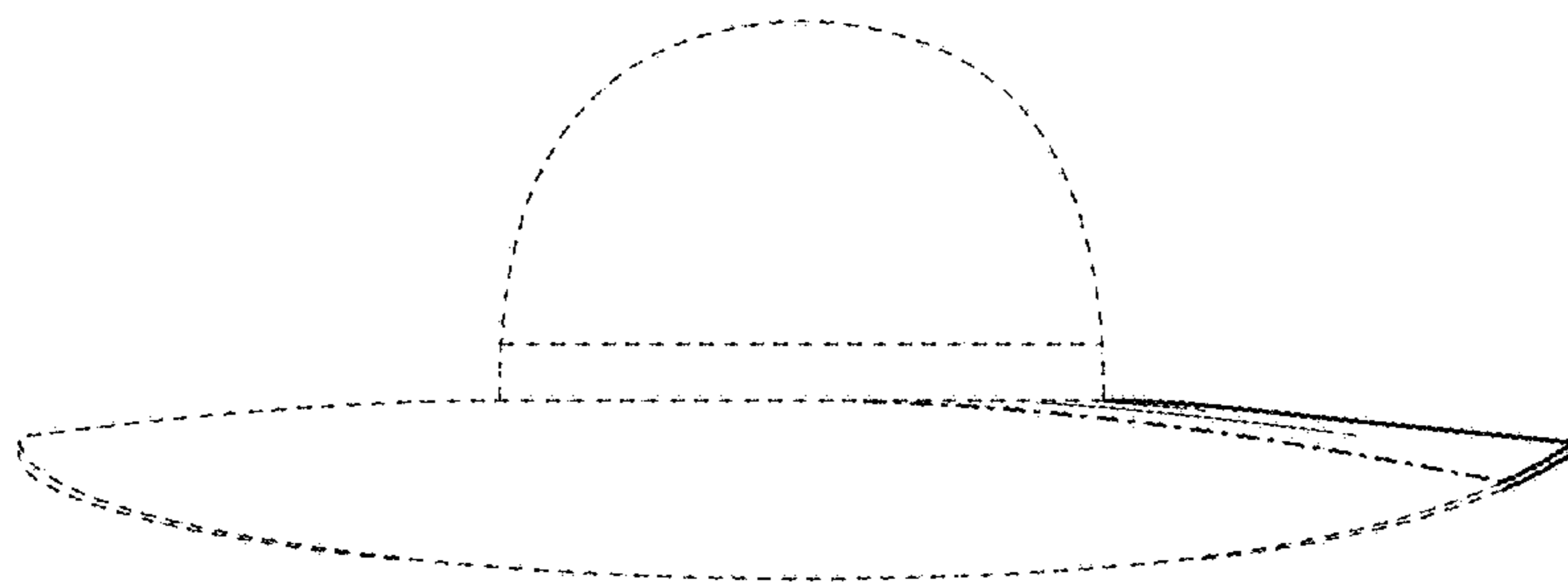


FIG. 6

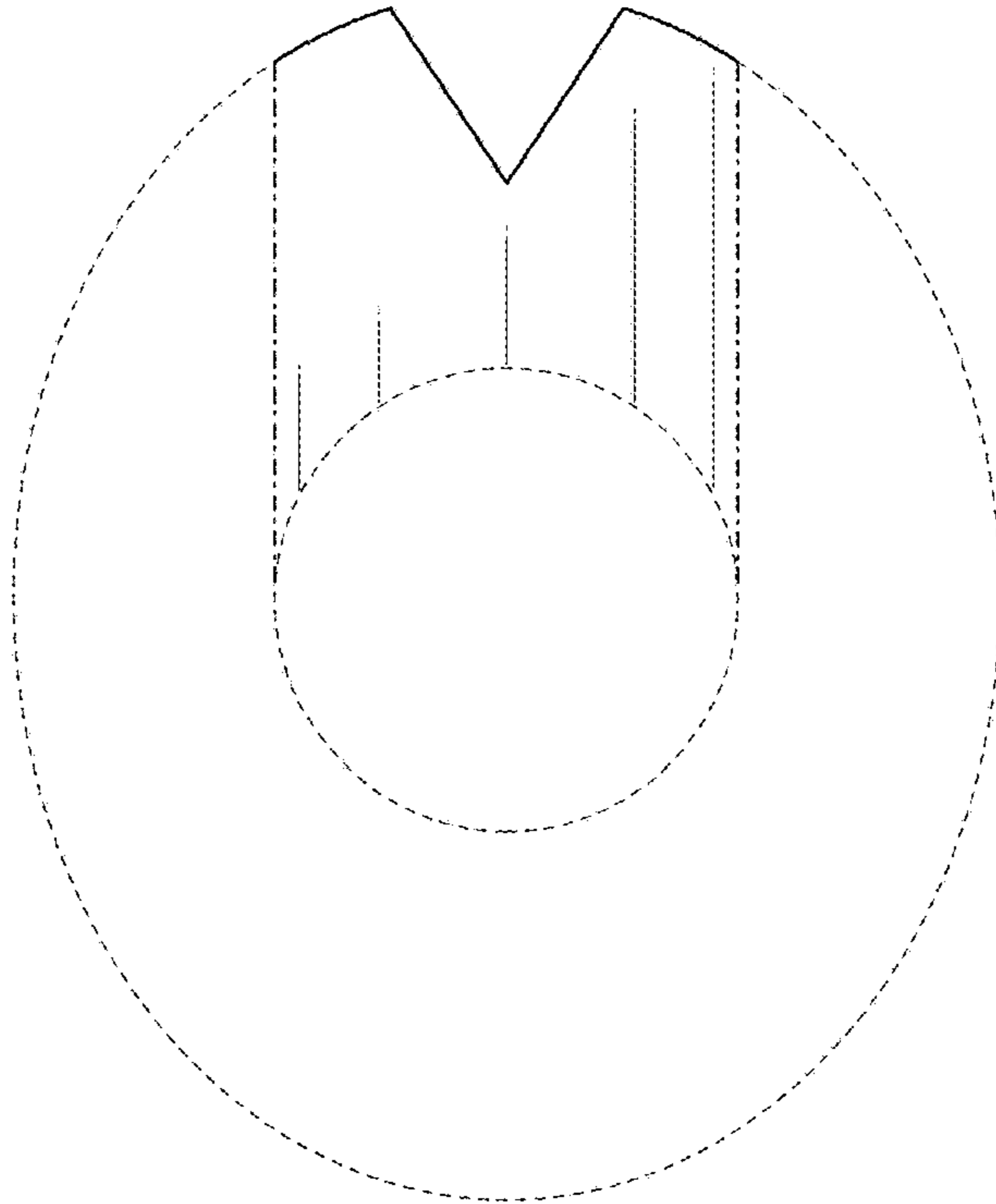


FIG. 7

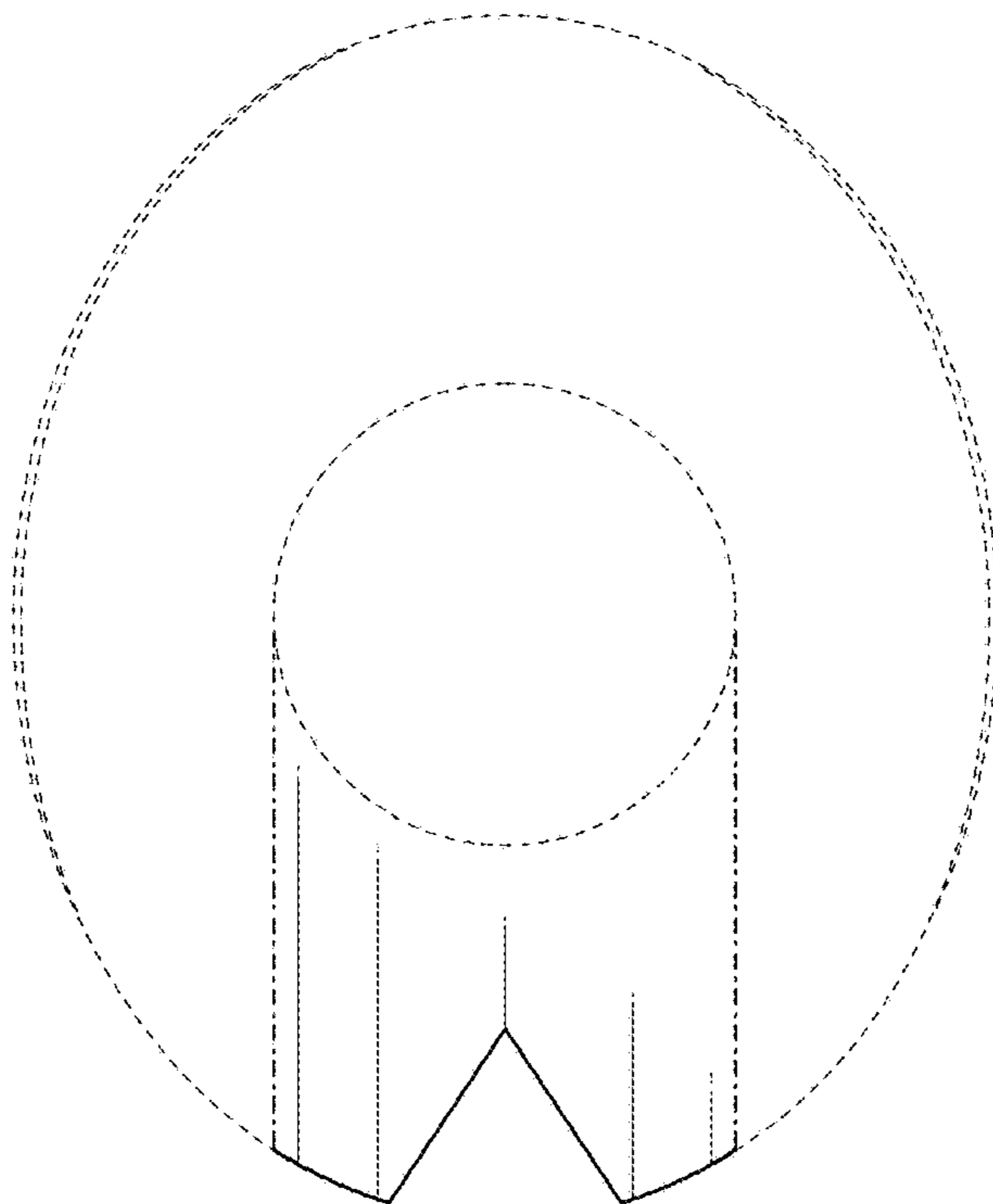


FIG. 8