

US00D841295S

(12) **United States Design Patent** (10) **Patent No.:** **US D841,295 S**
Welsh (45) **Date of Patent:** **** Feb. 26, 2019**

(54) **FAN INSERT FOR HEADWEAR**

(71) Applicant: **James Neal Welsh**, Tulsa, OK (US)

(72) Inventor: **James Neal Welsh**, Tulsa, OK (US)

(**) Term: **15 Years**

(21) Appl. No.: **29/620,197**

(22) Filed: **Aug. 12, 2016**

(51) **LOC (11) Cl.** **02-03**

(52) **U.S. Cl.**
USPC **D2/891**

(58) **Field of Classification Search**
USPC D2/865, 866, 867, 868, 869, 870, 871,
D2/872, 873, 874, 875, 876, 877, 878,
D2/879, 880, 881, 882, 883, 884, 885,
D2/886, 887, 888, 889, 890, 891, 892,
D2/893, 894, 895; D24/186, 206
CPC A41D 13/0025; A41D 13/0051; A41D
13/0053; A42B 1/00; A42B 1/24; A42B
3/28; A42B 3/285; A42B 3/286
See application file for complete search history.

(56) **References Cited**

U.S. PATENT DOCUMENTS

3,881,198 A * 5/1975 Waters A42B 3/286
2/171.3
D297,584 S * 9/1988 Lenox D2/866
5,425,620 A * 6/1995 Stroud A42B 1/008
2/171.3
5,469,579 A * 11/1995 Tremblay A42B 3/285
2/171.2
6,543,247 B2 * 4/2003 Strauss A61F 7/00
261/116
7,249,464 B1 * 7/2007 Watson A45F 3/04
62/259.3
D638,205 S * 5/2011 Castillo D2/866

D679,073 S * 4/2013 Sherman D2/869
D712,634 S * 9/2014 Rivera D2/866
2009/0126076 A1 * 5/2009 Ochoa A42B 1/008
2/171.3
2011/0231977 A1 * 9/2011 Rupnick A42B 3/286
2/7
2012/0167282 A1 * 7/2012 Fleming A42B 3/285
2/410
2015/0272251 A1 * 10/2015 Welsh A42B 1/008
165/121

OTHER PUBLICATIONS

The Head Cooler System, [on-line]; [Wayback Machine crawl-back Internet date: Feb. 7, 2014]; [retrieved from the Internet on Oct. 3, 2017]; URL: <https://web.archive.org/web/20140207225406/http://www.headcooler.net/>. (2 pgs). (Year: 2014).*

* cited by examiner

Primary Examiner — Thomas Johannes
Assistant Examiner — Jasmine Mlinarcik
(74) *Attorney, Agent, or Firm* — Head, Johnson, Kachigian & Wilkinson, PC

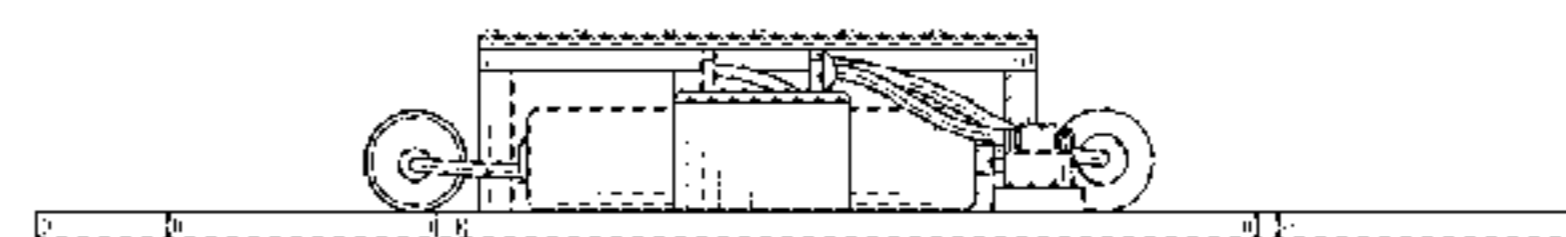
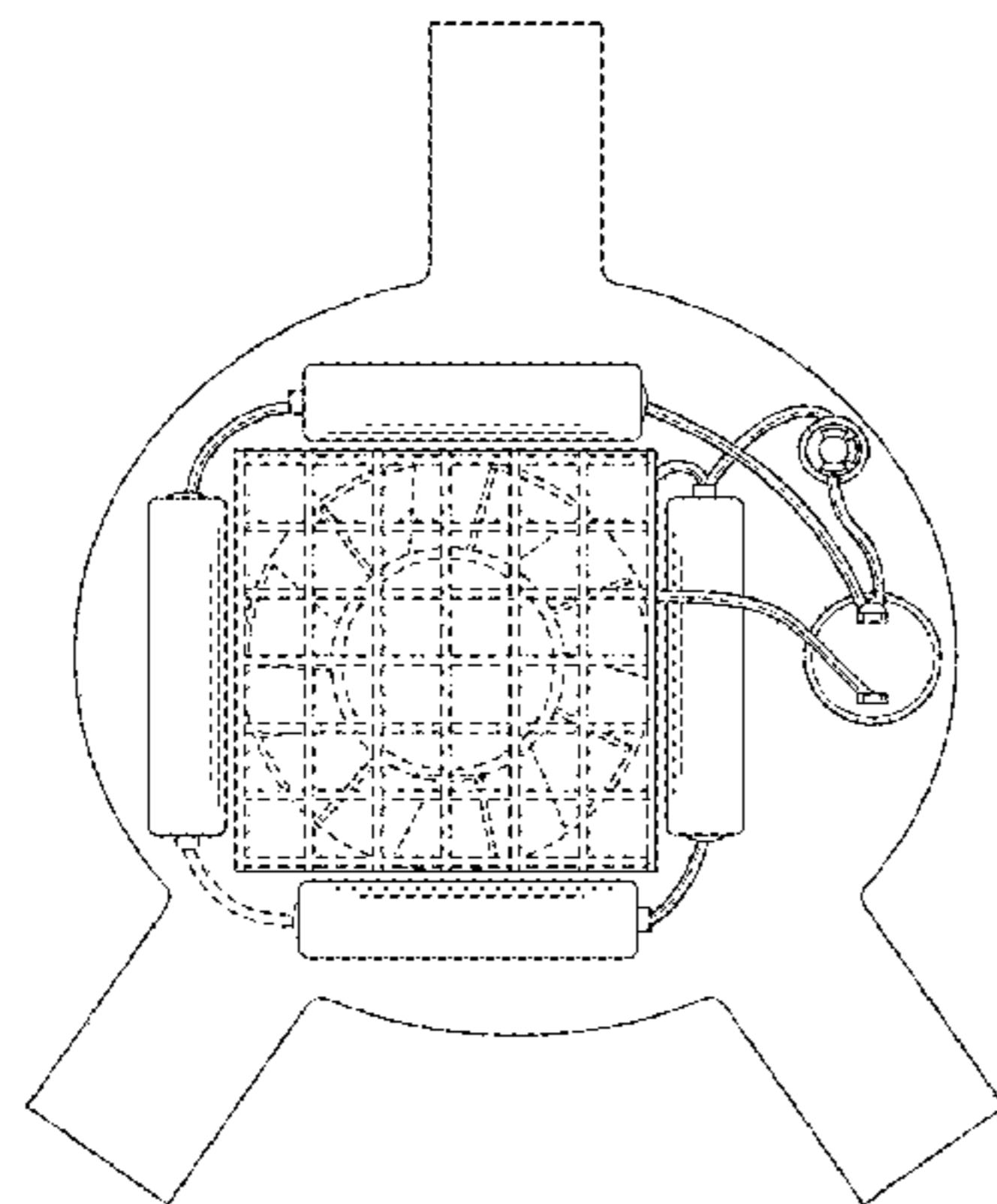
(57) **CLAIM**

The ornamental design for a fan insert for headwear, as shown and described.

DESCRIPTION

FIG. 1 is a bottom view of a fan insert for headwear; FIG. 2 is a front elevation view thereof; FIG. 3 is a side elevation view thereof; and, FIG. 4 is a top plan view thereof. The evenly incremented broken lines represent environmental structure that form no part of the claimed design. The fan insert for headwear is a battery operated fan insert for hard hats and helmets.

1 Claim, 4 Drawing Sheets



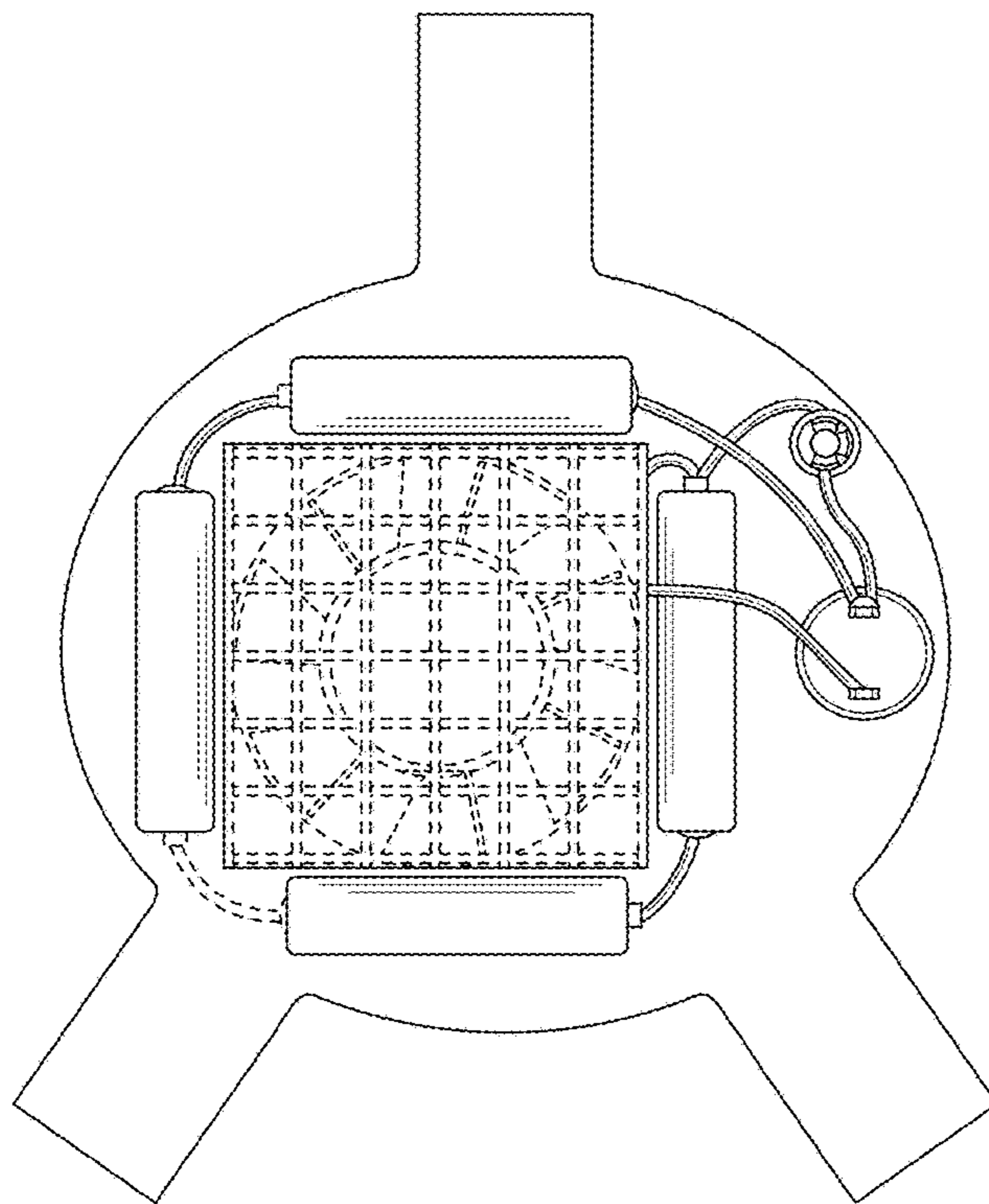


FIG. 1

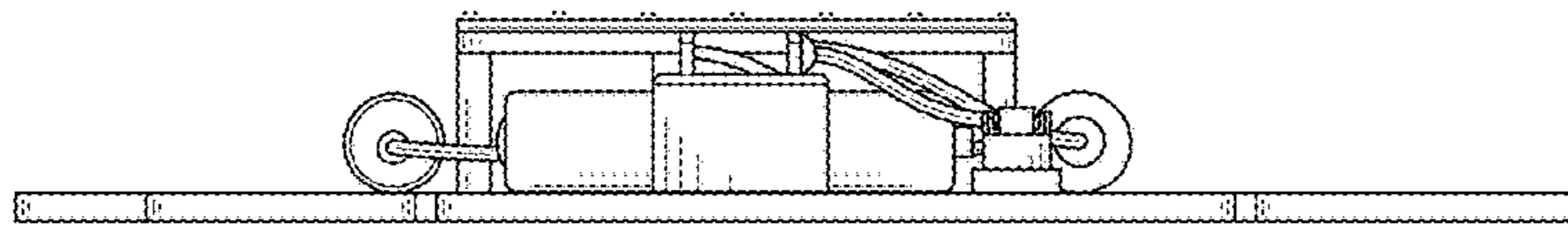


FIG. 2

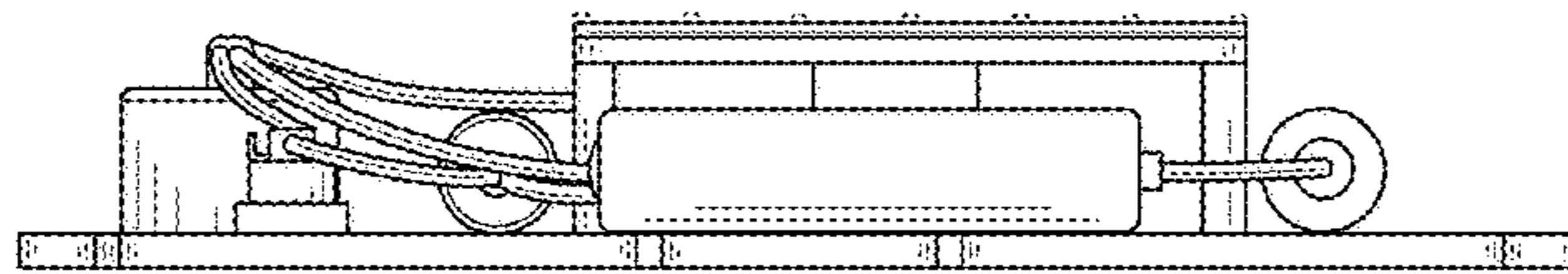


FIG. 3

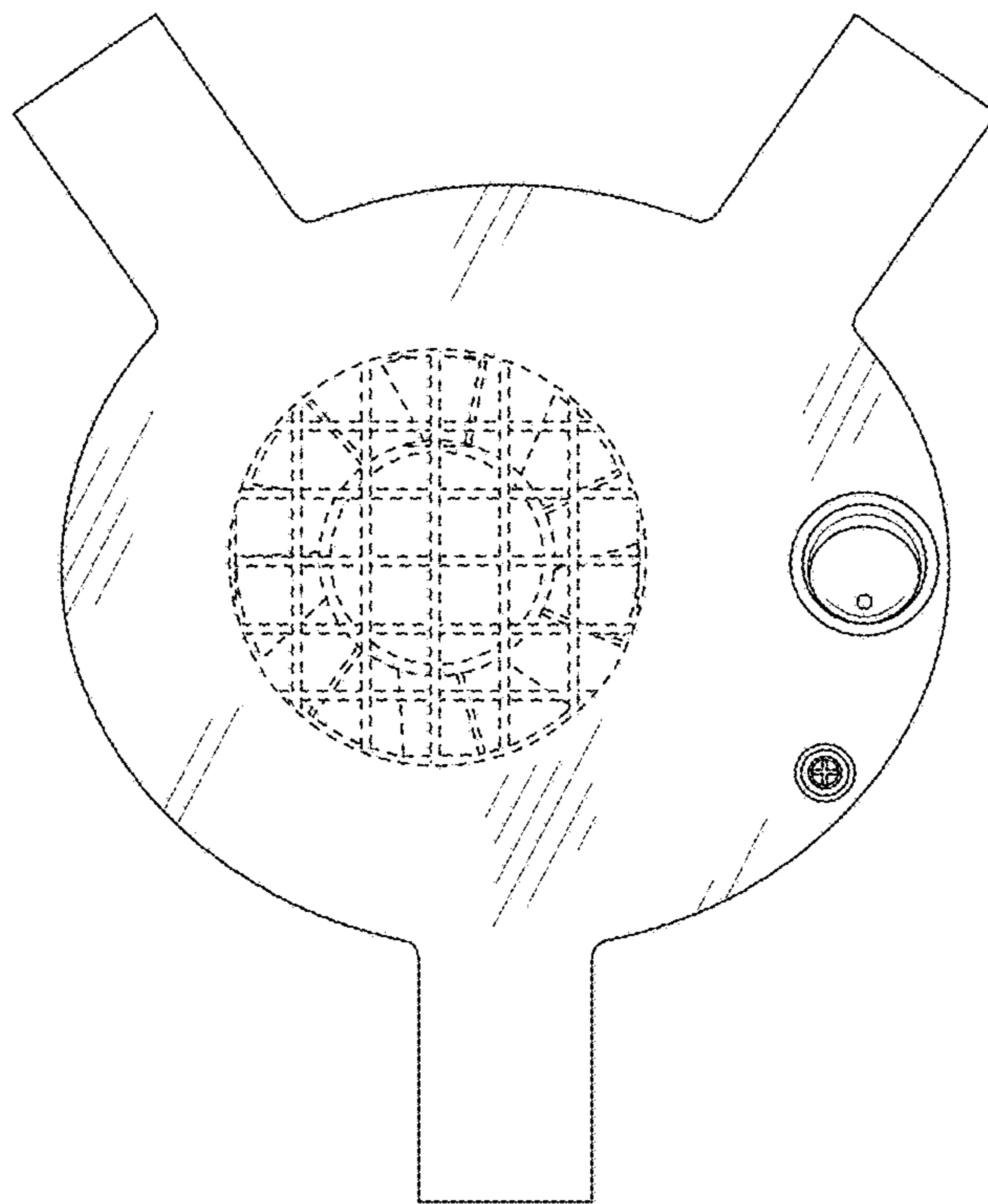


FIG. 4