



US00D841292S

(12) **United States Design Patent**
Vance

(10) **Patent No.:** **US D841,292 S**
(45) **Date of Patent:** **** Feb. 26, 2019**

- (54) **APPAREL WITH POCKETS**
- (71) Applicant: **Douglas N. Vance**, Tooele, UT (US)
- (72) Inventor: **Douglas N. Vance**, Tooele, UT (US)
- (**) Term: **15 Years**
- (21) Appl. No.: **29/591,916**
- (22) Filed: **Jan. 25, 2017**
- (51) **LOC (11) Cl.** **02-02**
- (52) **U.S. Cl.**
USPC **D2/840**
- (58) **Field of Classification Search**
USPC D2/614, 717, 728, 731, 739, 828, 840,
D2/847, 849, 853, 862; D5/63–66;
D11/95–116; D29/100, 101.1, 121.1;
D21/803–810, 829
CPC ... A41D 1/04; A41D 1/18; A41D 1/22; A41D
10/00; A41D 13/0015; A41D 13/0512;
A41D 13/1245; A41D 27/02; A41D
27/10; A41B 1/08; A41B 1/10; A61F
2007/0233
See application file for complete search history.

2011/0307991 A1 12/2011 Witt
2012/0186000 A1 7/2012 Raviv
2013/0239298 A1 9/2013 Jordan et al.

* cited by examiner

Primary Examiner — Kevin K Rudzinski
Assistant Examiner — Paul D Bohannon
(74) *Attorney, Agent, or Firm* — Cramer Patent & Design,
PLLC; Aaron R. Cramer

(57) **CLAIM**

The ornamental design for apparel with pockets, as shown and described.

DESCRIPTION

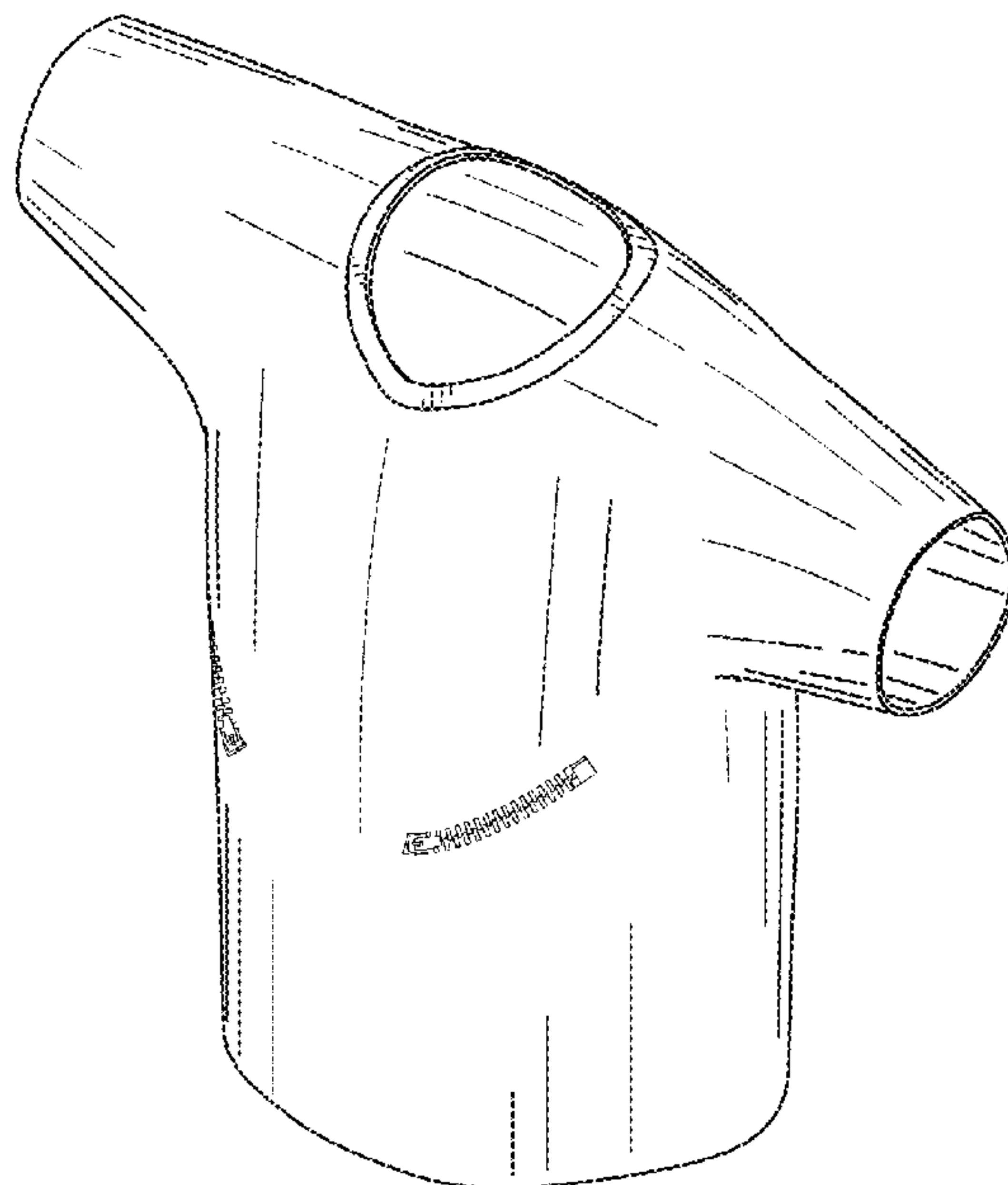
FIG. 1 is a perspective top front view of apparel with pockets, showing my new design;
FIG. 2 is a perspective bottom rear view thereof;
FIG. 3 is a front elevation view thereof;
FIG. 4 is a rear elevation view thereof;
FIG. 5 is a left-side elevation view, with the right-side elevation view being a mirror image thereof;
FIG. 6 is a top plan view thereof;
FIG. 7 is a bottom plan view thereof;
FIG. 8 is a cross-section view of FIG. 5 taken along line 8-8 showing an interior right-side elevation view, with the interior left-side elevation view being a mirror image thereof; and,
FIG. 9 is an enlarged left-side elevation view of a left-side pocket in an open configuration showing an electronic device wire retaining loop; with the right-side pocket being a mirror image thereof.

(56) **References Cited**

U.S. PATENT DOCUMENTS

6,175,966	B1	1/2001	Wiesenthal	
9,271,533	B2	3/2016	Kochling	
D812,857	S *	3/2018	Rapp	D2/828
2002/0157170	A1	10/2002	Lipscher	
2009/0094725	A1	4/2009	Smith et al.	
2010/0281597	A1	11/2010	Lang	

1 Claim, 9 Drawing Sheets



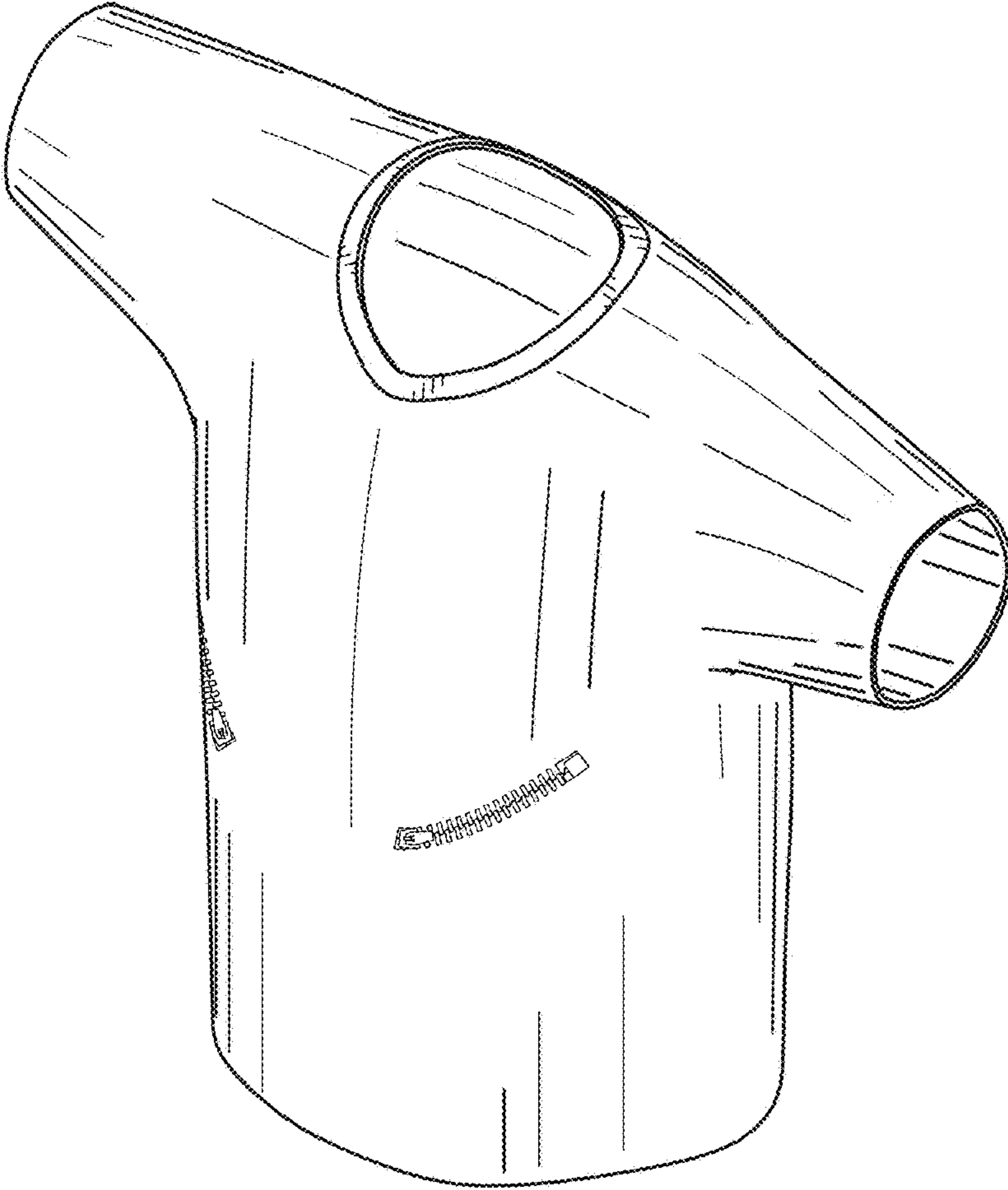


FIG. 1

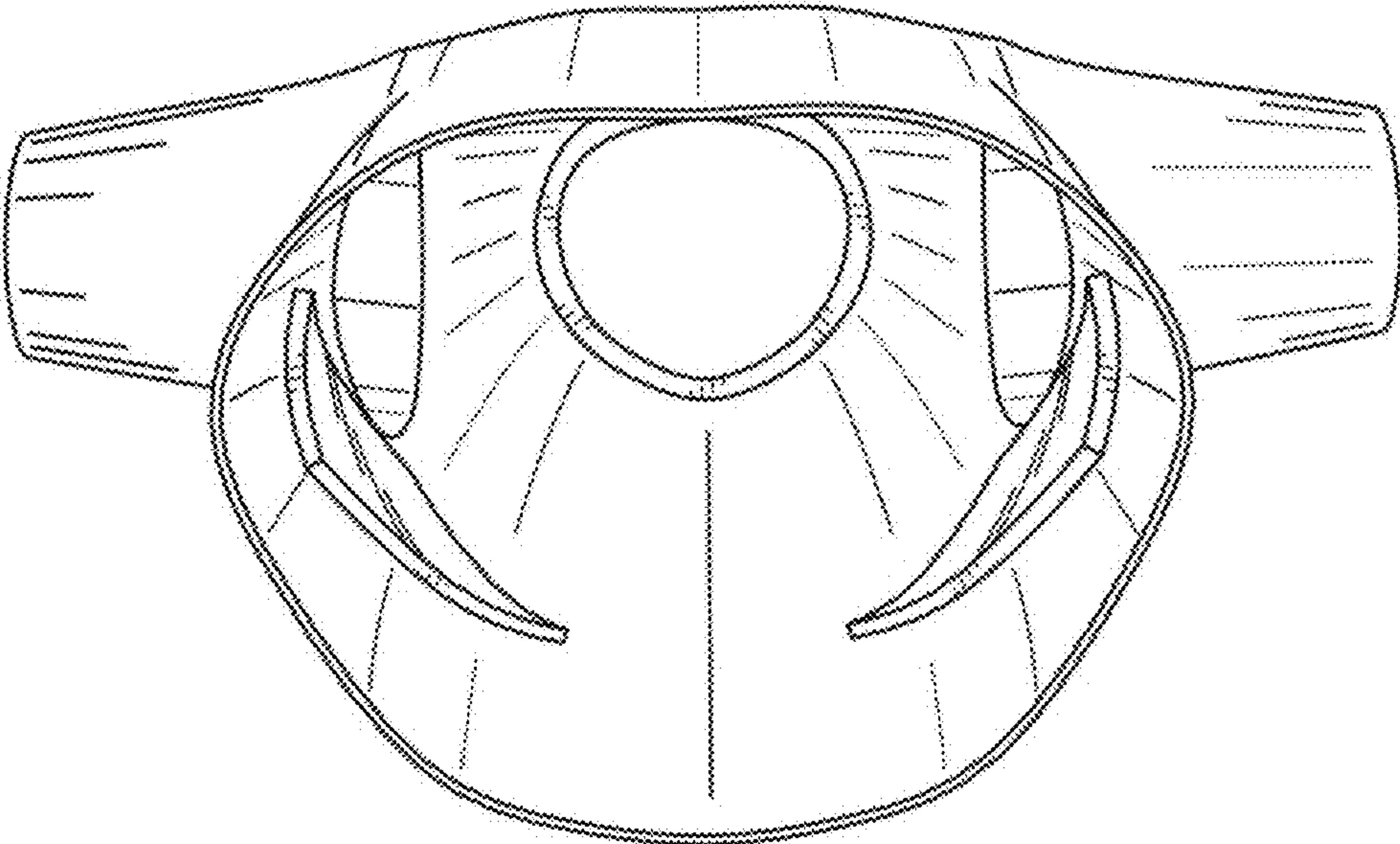


FIG. 2

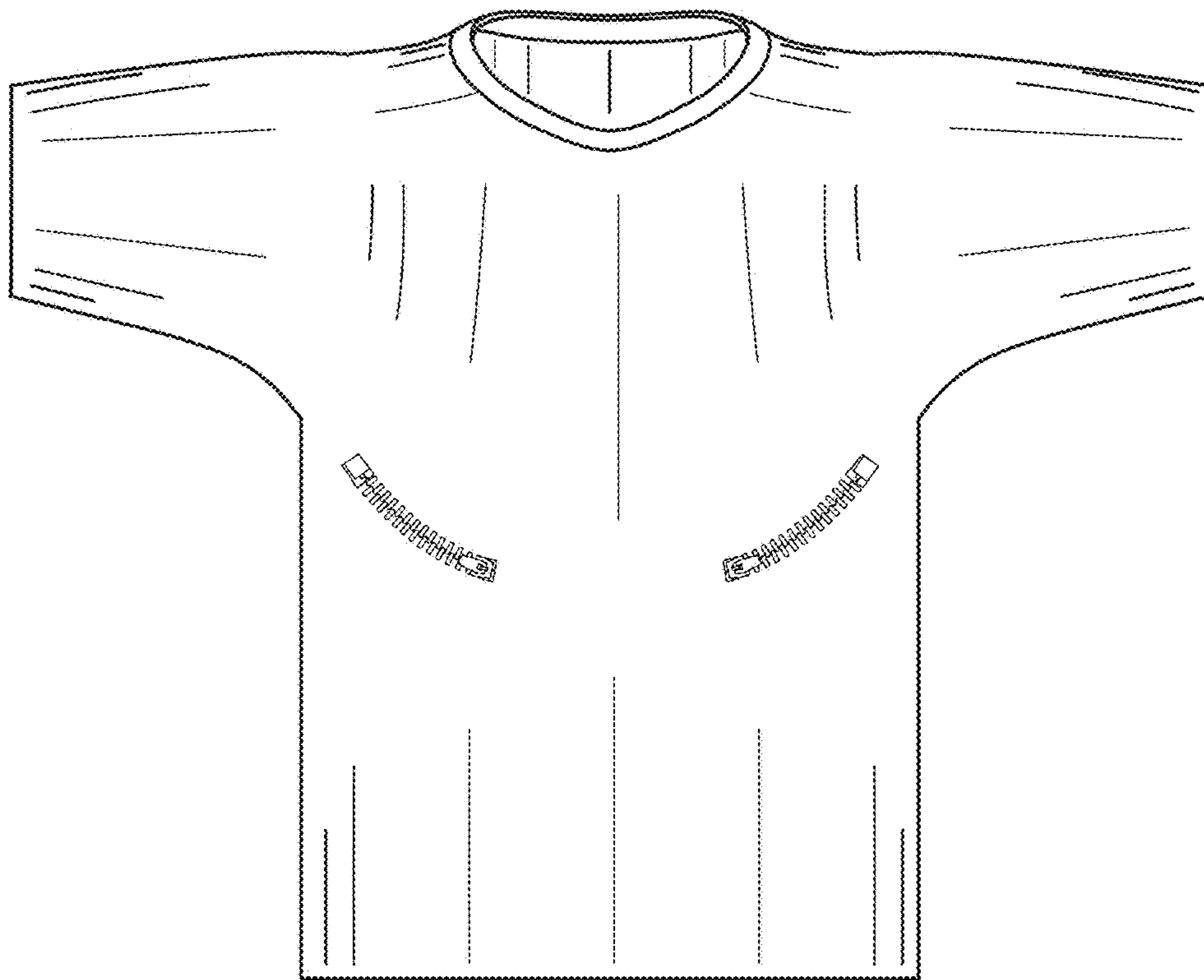


FIG. 3

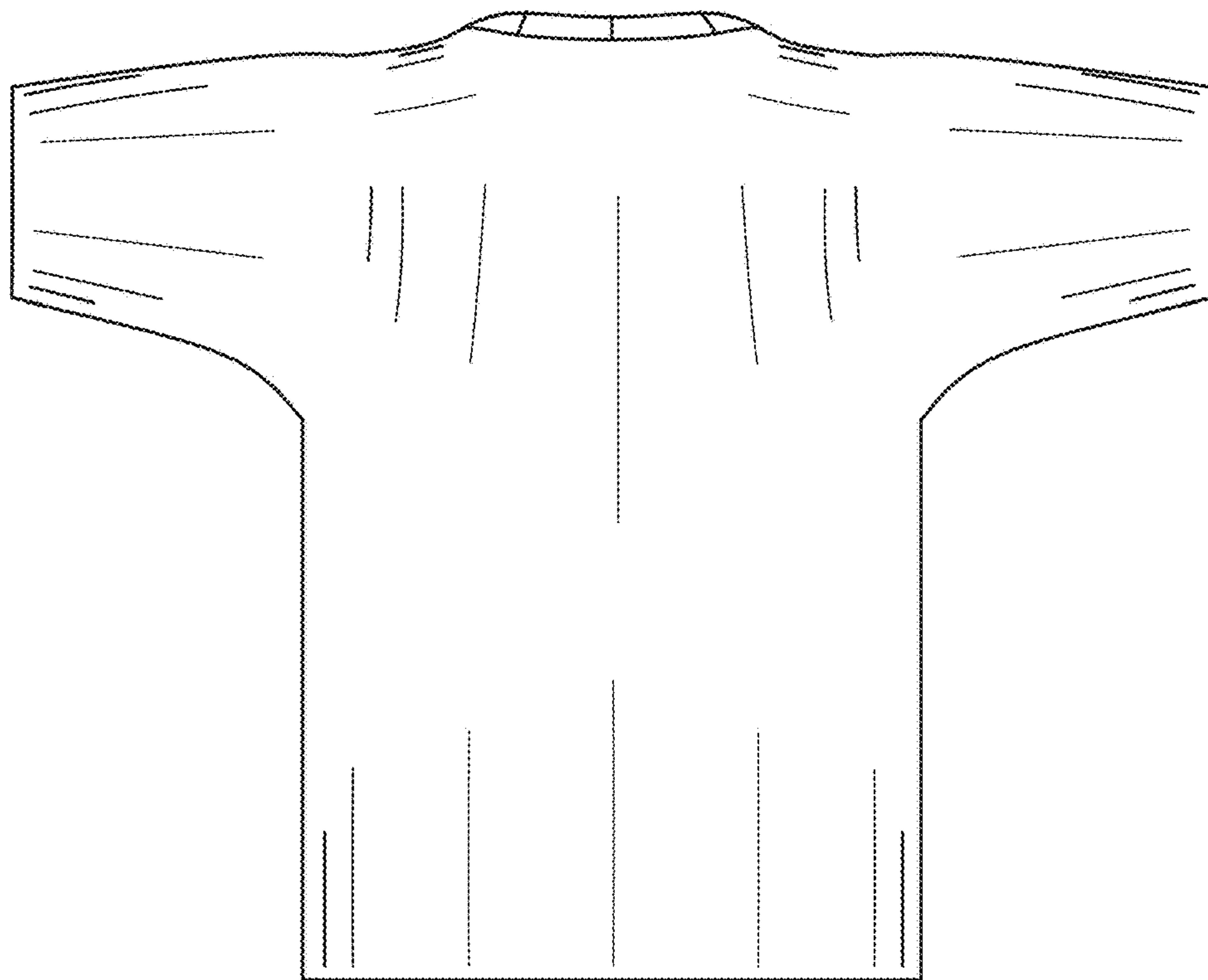


FIG. 4

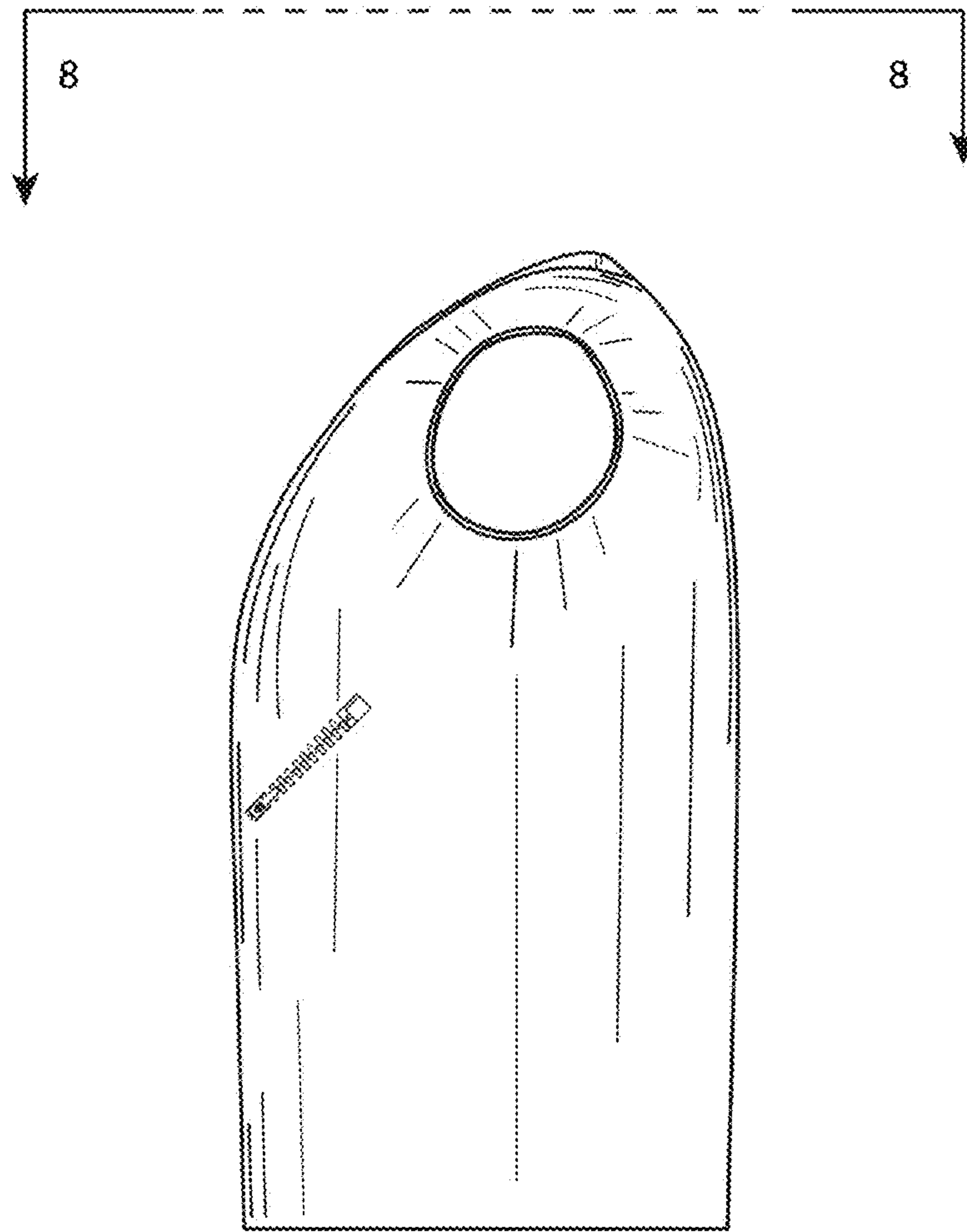


FIG. 5

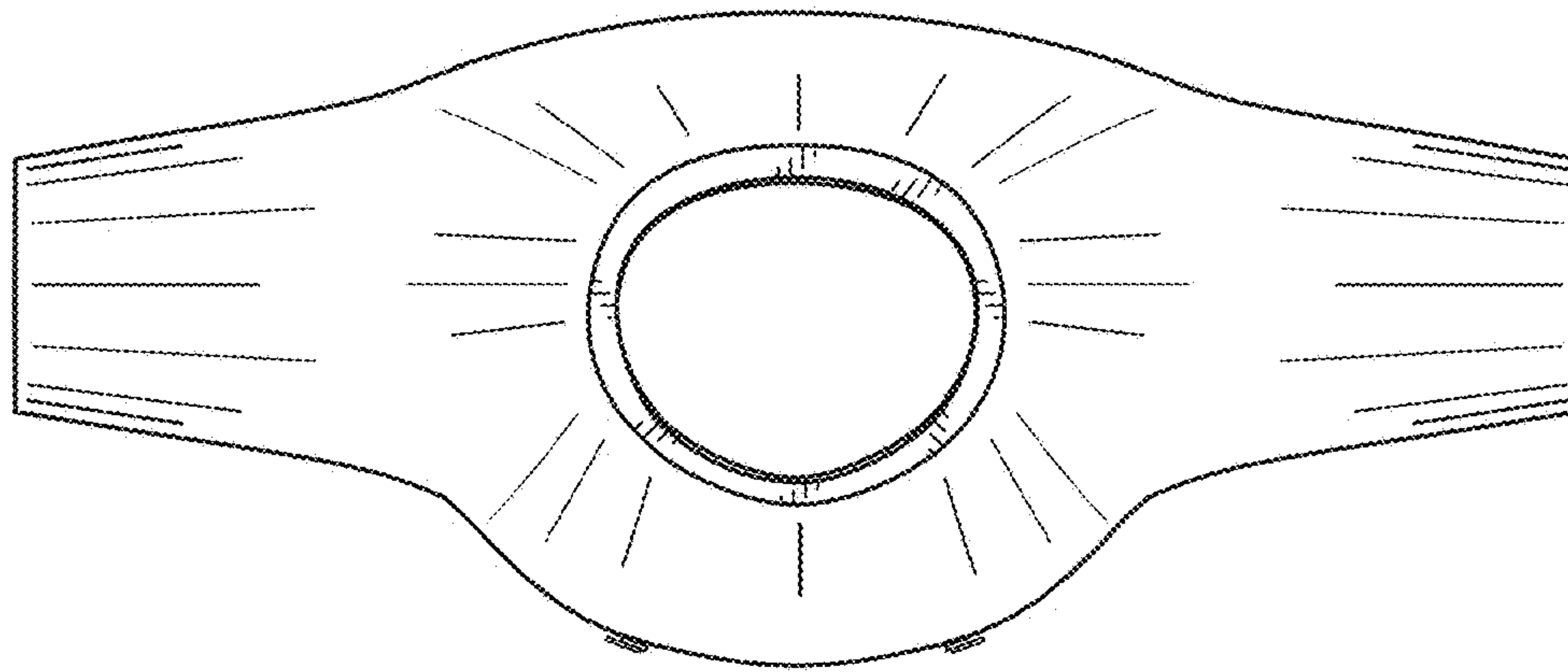


FIG. 6

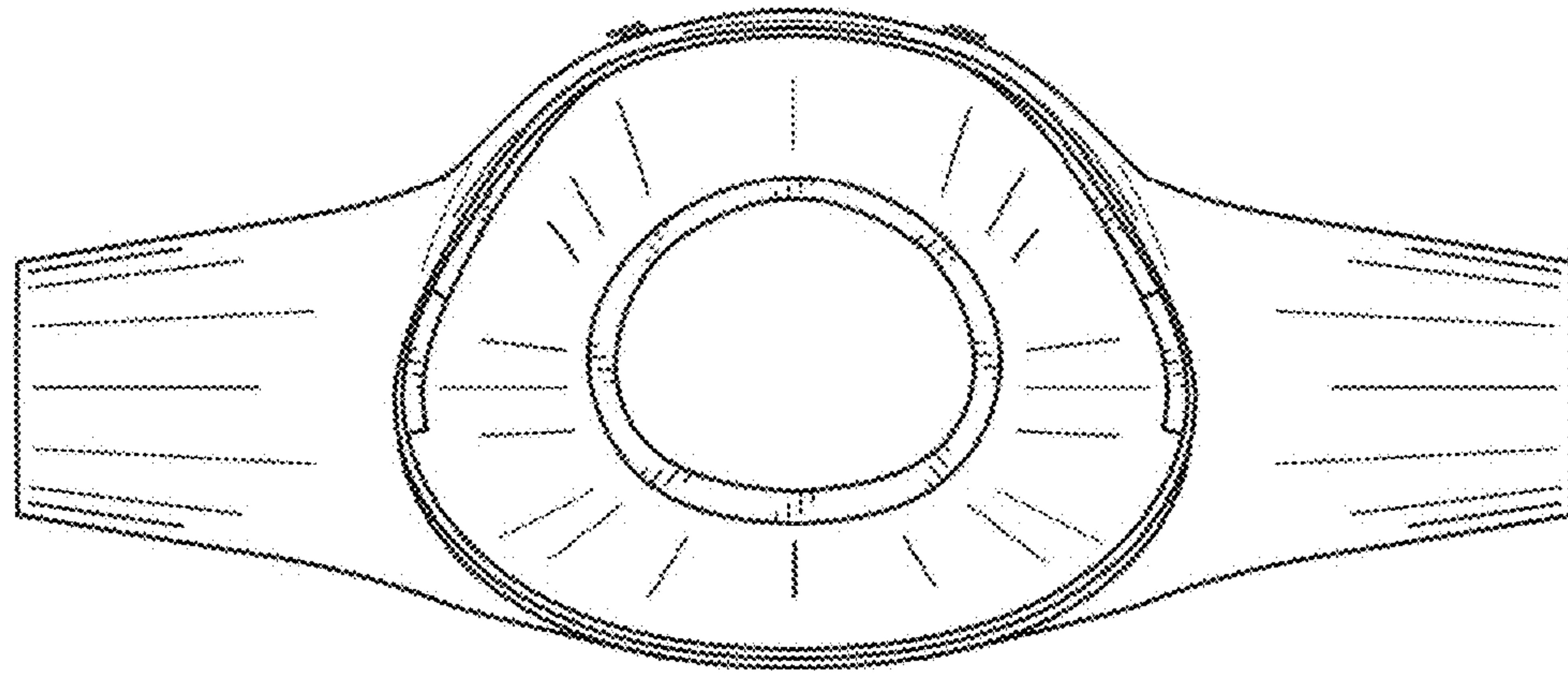


FIG. 7

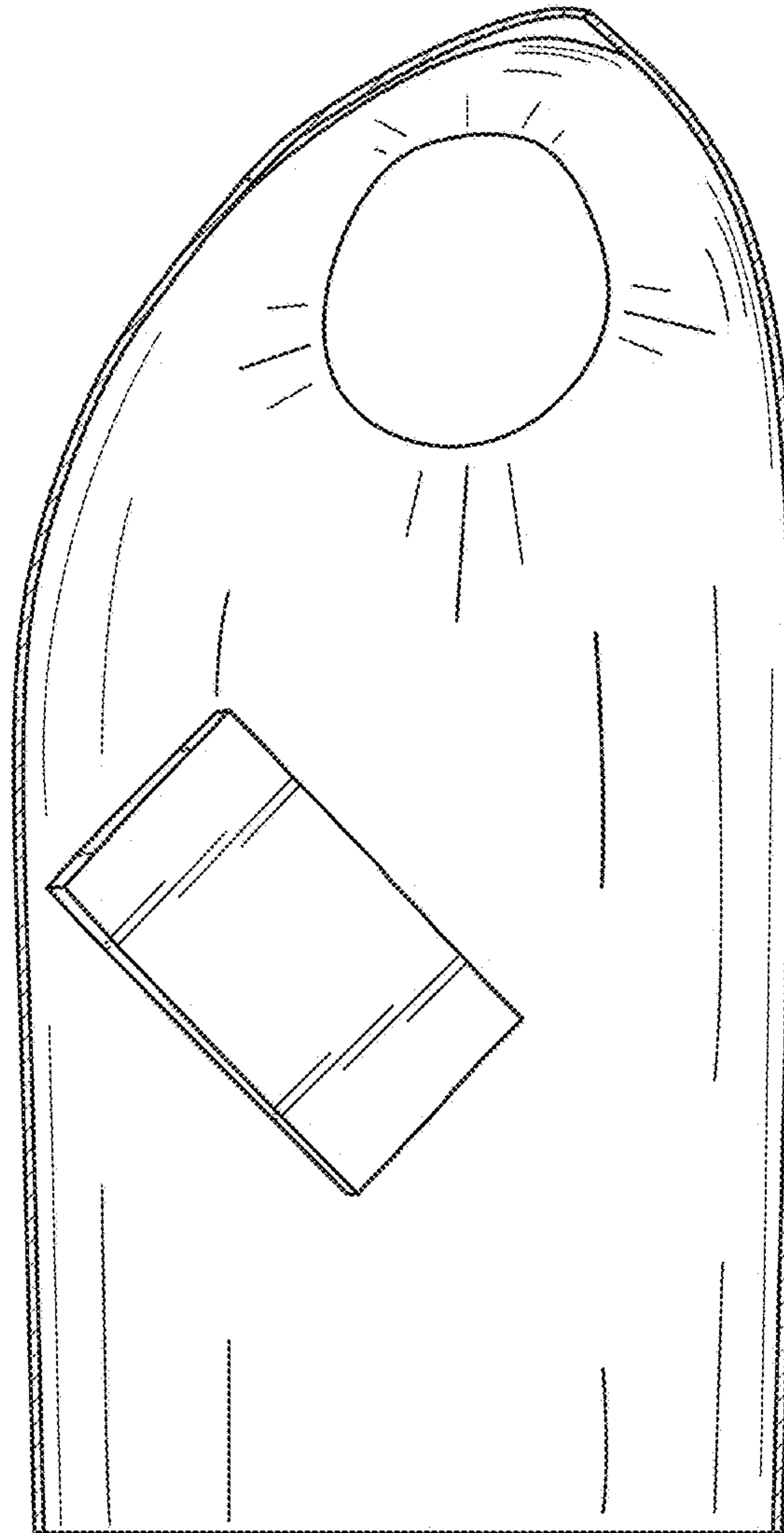


FIG. 8

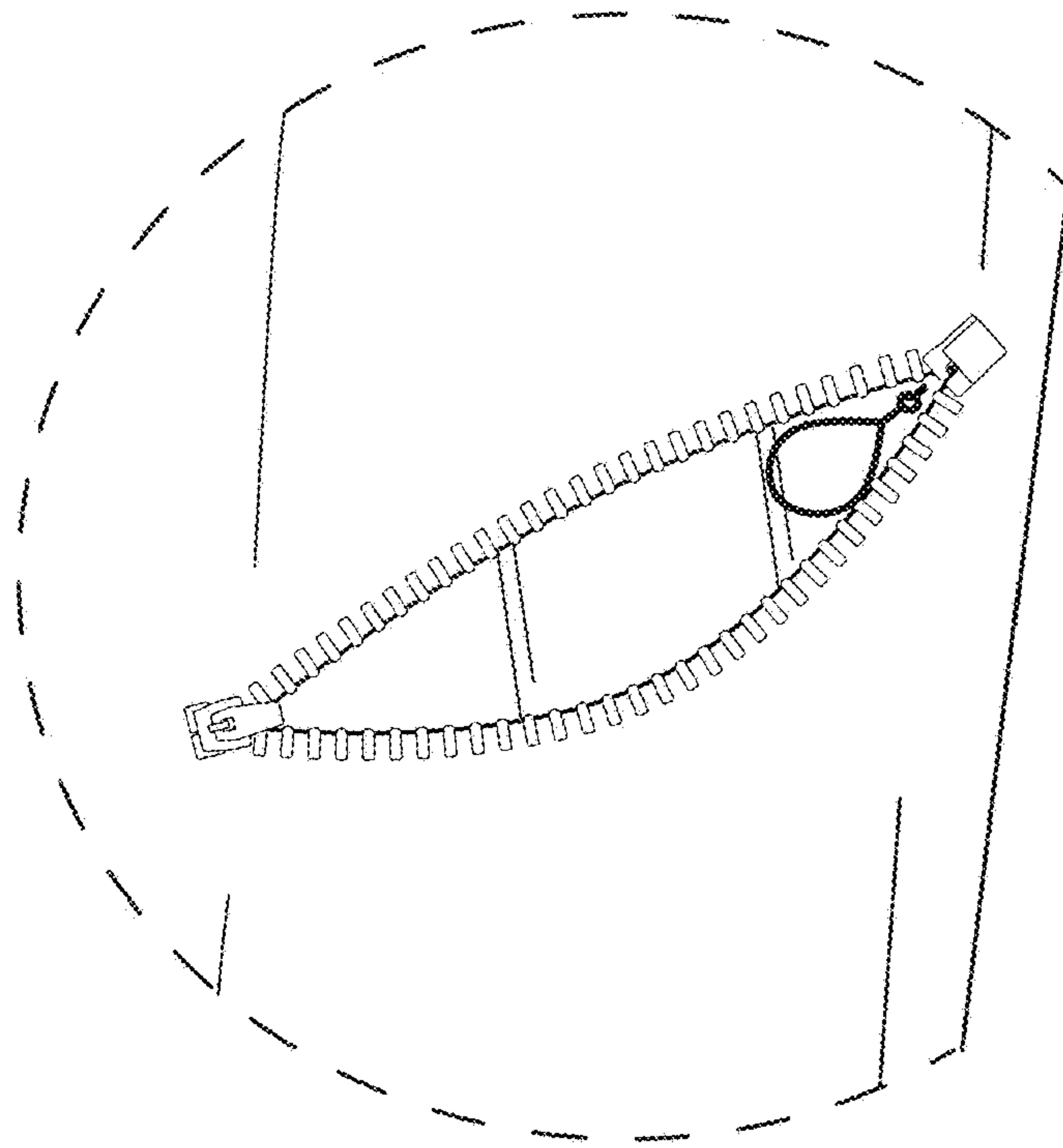


FIG. 9