



US00D841283S

(12) **United States Design Patent** (10) **Patent No.:** **US D841,283 S**
Chen (45) **Date of Patent:** **** Feb. 26, 2019**

(54) **ADHESIVE STRAPLESS BRA**
(71) Applicant: **Bragel International Inc.**, Pomona, CA (US)
(72) Inventor: **Dennis H P Chen**, Walnut, CA (US)
(**) Term: **15 Years**
(21) Appl. No.: **29/613,241**
(22) Filed: **Aug. 8, 2017**
(51) **LOC (11) Cl.** **02-01**
(52) **U.S. Cl.**
USPC **D2/706**
(58) **Field of Classification Search**
USPC D2/706-710, 711, 731, 735, 737, 635, D2/636
CPC A41C 3/00; A41C 3/14; A41C 5/00; A41C 3/0057; A41C 3/0014; A41C 3/144; A41C 3/0078; A41B 9/001; A41B 9/14
See application file for complete search history.

(56) **References Cited**
U.S. PATENT DOCUMENTS
6,257,951 B1 * 7/2001 DeMarco A41C 3/0078 450/41
7,677,952 B2 * 3/2010 Wooley A41C 3/065 450/81
D665,968 S * 8/2012 Chang D2/706
D665,969 S * 8/2012 Chang D2/706
8,840,441 B2 * 9/2014 Sporn A41C 3/0028 450/38
D792,053 S * 7/2017 Chen D2/706
9,713,350 B1 * 7/2017 Colburn A41C 3/065
2003/0224700 A1 * 12/2003 Chen A41C 3/065 450/88
2004/0023594 A1 * 2/2004 Chen A41C 3/065 450/81
2006/0252345 A1 * 11/2006 Jian A41C 3/10 450/81

2009/0093190 A1 * 4/2009 Wooley A41C 3/065 450/41
2009/0181600 A1 * 7/2009 Liu A41C 3/005 450/57
2010/0029176 A1 * 2/2010 Chen A41C 3/065 450/38

(Continued)

FOREIGN PATENT DOCUMENTS

DE 10112251 A1 * 10/2002 A41C 3/12
Primary Examiner — Brandon M Rosati
Assistant Examiner — Lauren D McVey
(74) *Attorney, Agent, or Firm* — Tommy S F Wang;
Wang IP Law Group, P.C.

(57) **CLAIM**

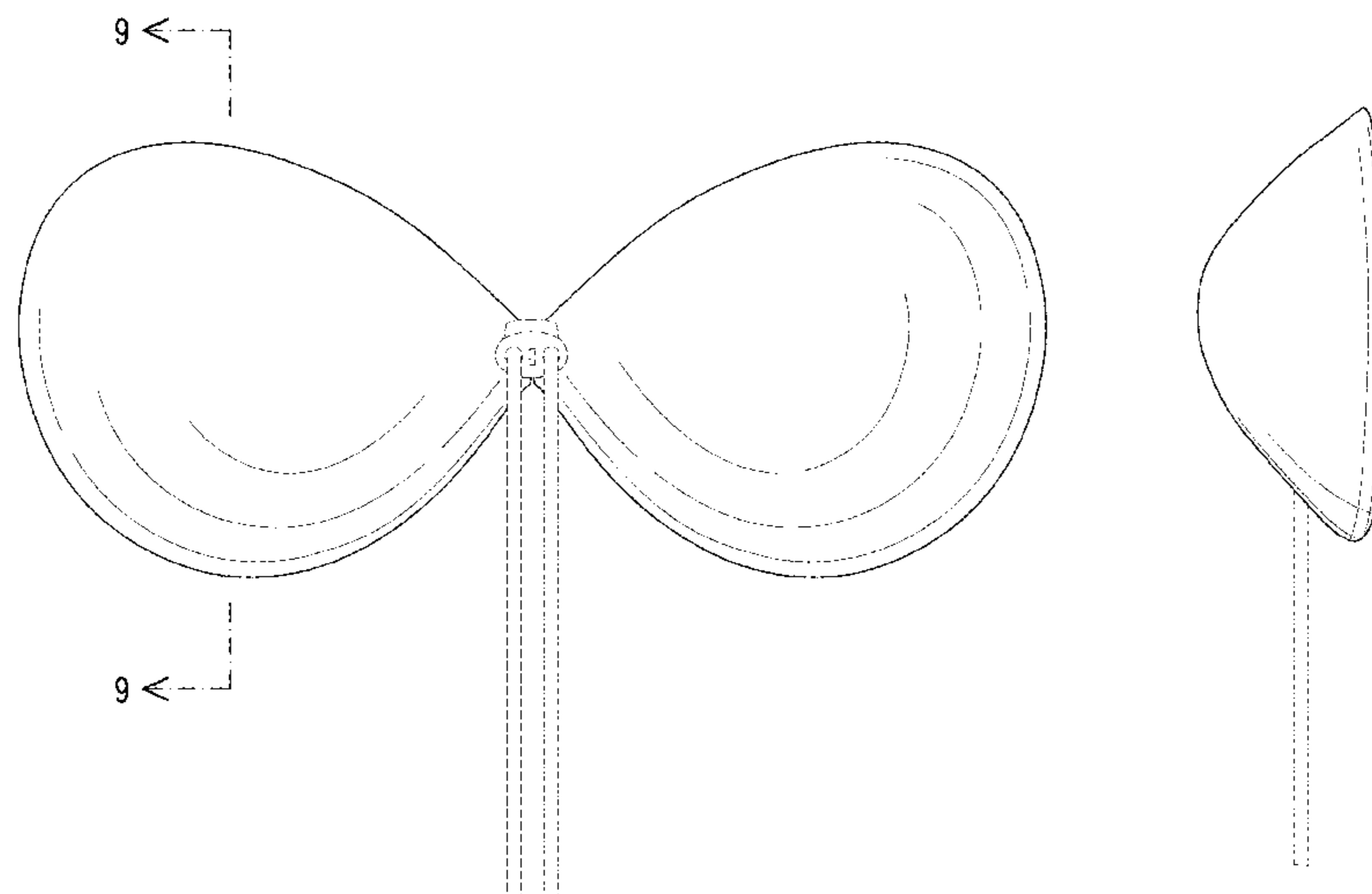
The ornamental design for an adhesive strapless bra, as shown and described.

DESCRIPTION

FIG. 1 is a front perspective view of an adhesive strapless bra showing my new design;
FIG. 2 is a rear perspective view thereof;
FIG. 3 is a front view thereof;
FIG. 4 is a rear view thereof;
FIG. 5 is a left side view thereof;
FIG. 6 is a right side view thereof;
FIG. 7 is a top view thereof;
FIG. 8 is a bottom view thereof;
FIG. 9 is a cross-sectional view thereof taken in the direction of 9-9 in FIG. 3; and,
FIG. 10 is an enlarged view of the encircled portion in FIG. 9.

The evenly spaced broken lines are directed to portions that form no part of the claimed design. The dot-dot-dash broken lines encircling portions of FIGS. 9 and 10 are for the purpose of illustrating a partially enlarged view and form no part of the claimed design. In addition, the dot-dash broken lines in FIG. 3 are used to identify the cross section view and form no part of the claimed design.

1 Claim, 7 Drawing Sheets



(56)

References Cited

U.S. PATENT DOCUMENTS

2010/0240279 A1* 9/2010 Otsuka A41C 3/065
450/39
2011/0256801 A1* 10/2011 Cho A41C 3/065
450/39
2012/0108143 A1* 5/2012 Sherwood A41C 3/065
450/57
2012/0208434 A1* 8/2012 Chang A41C 3/0085
450/81
2013/0303051 A1* 11/2013 Chan A41C 3/144
450/57
2017/0105459 A1* 4/2017 Eilemberg A41C 3/0007
2017/0172220 A1* 6/2017 Sung A41C 3/0085

* cited by examiner

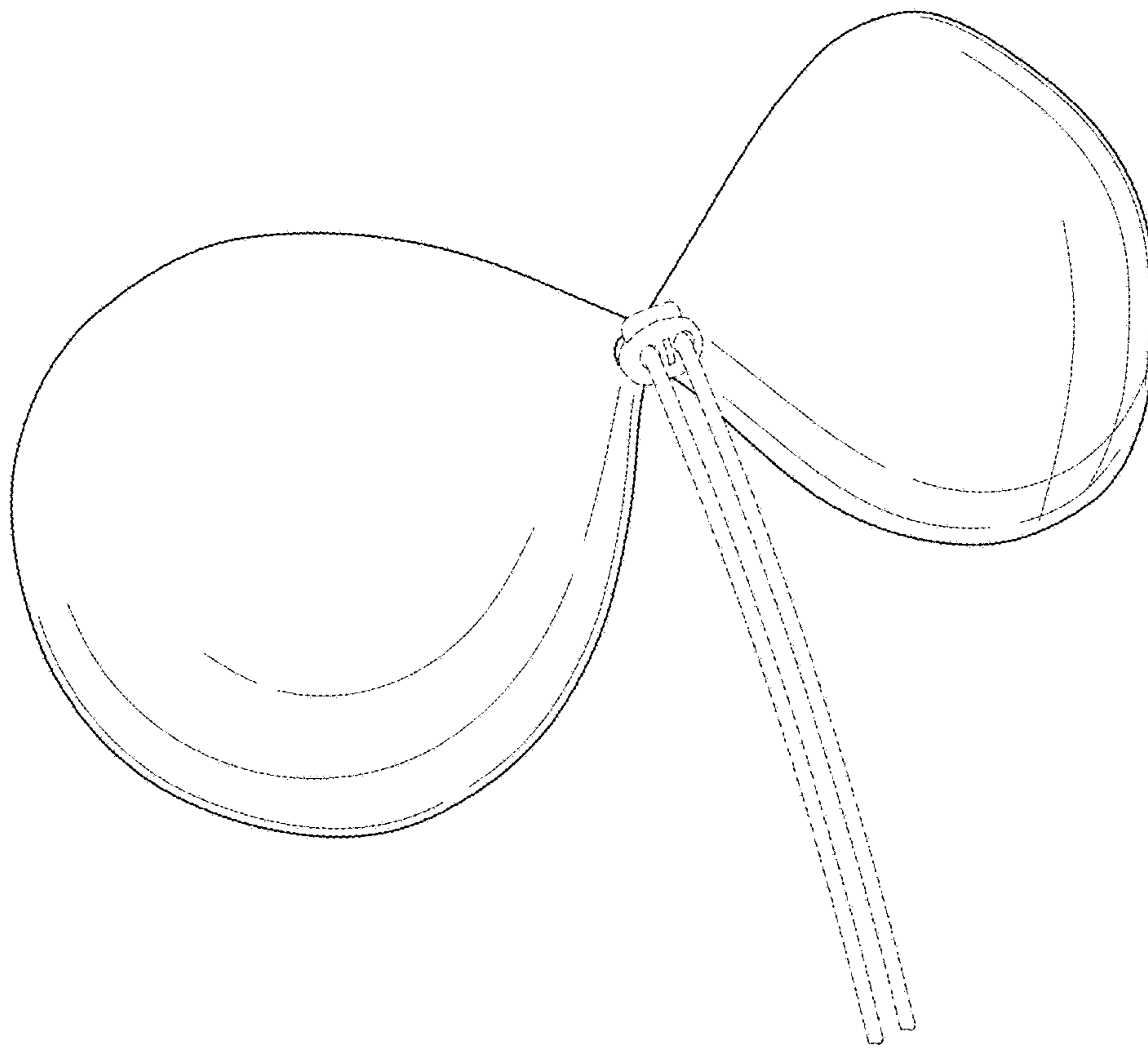


FIG. 1

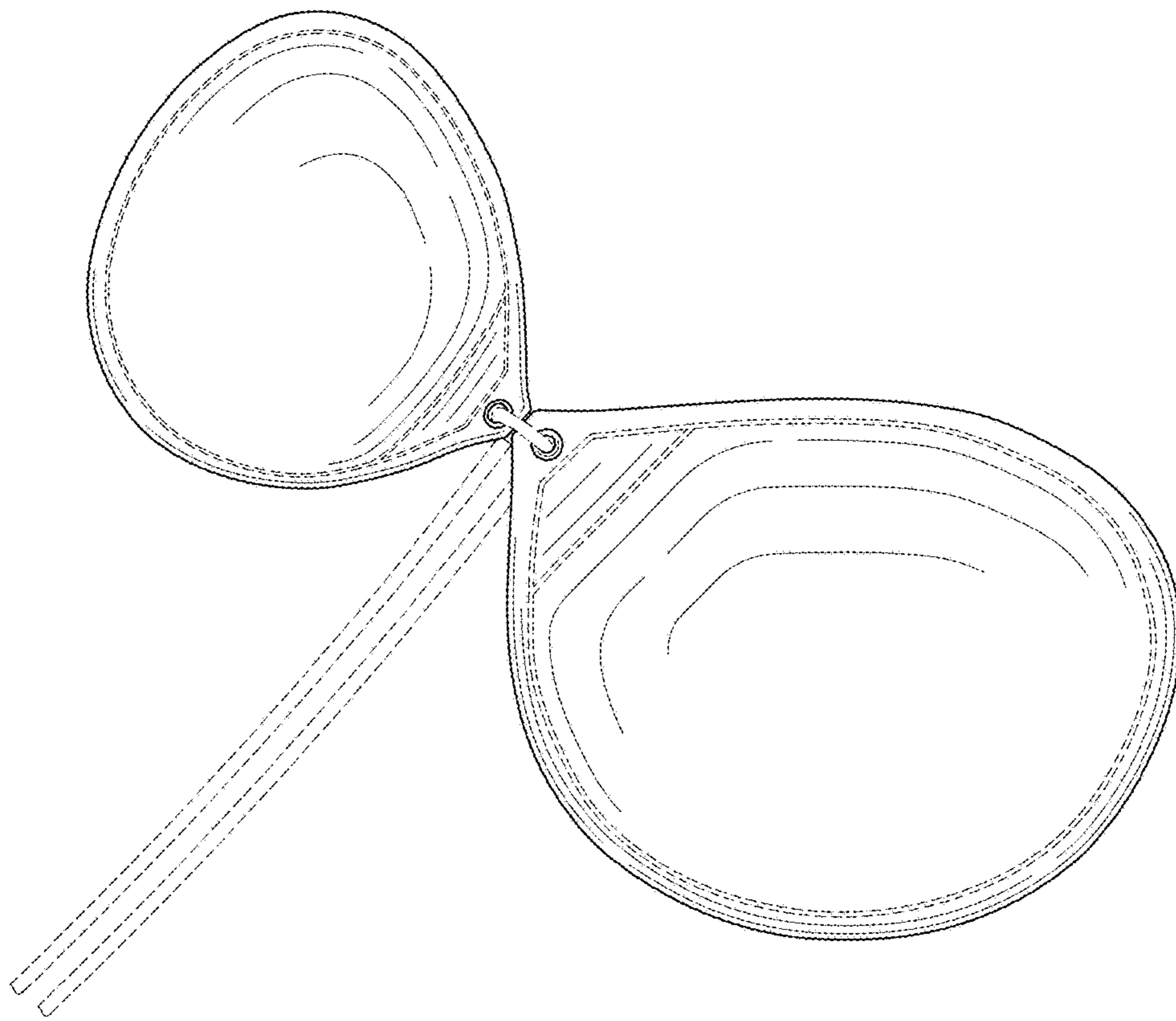


FIG. 2

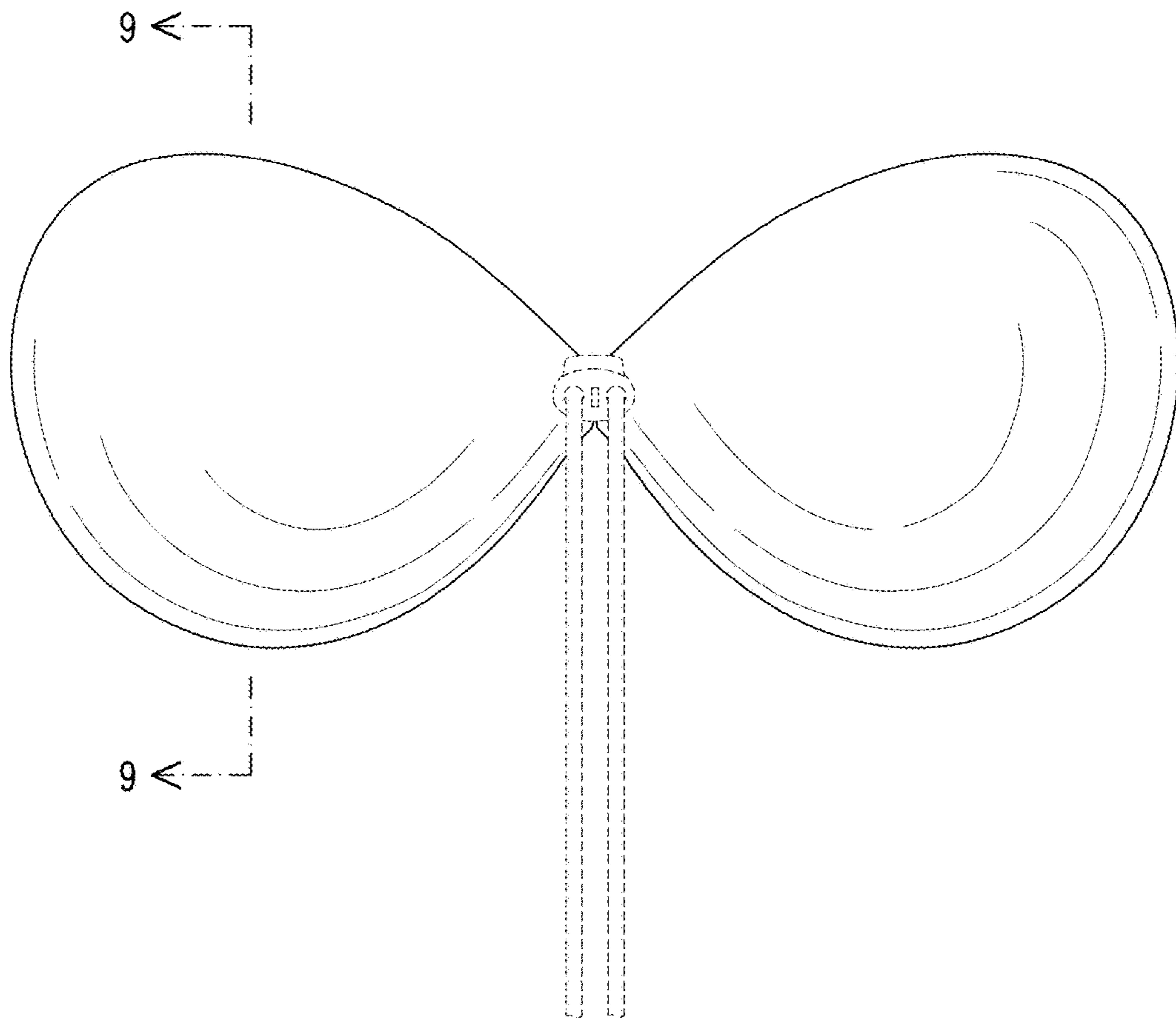


FIG. 3

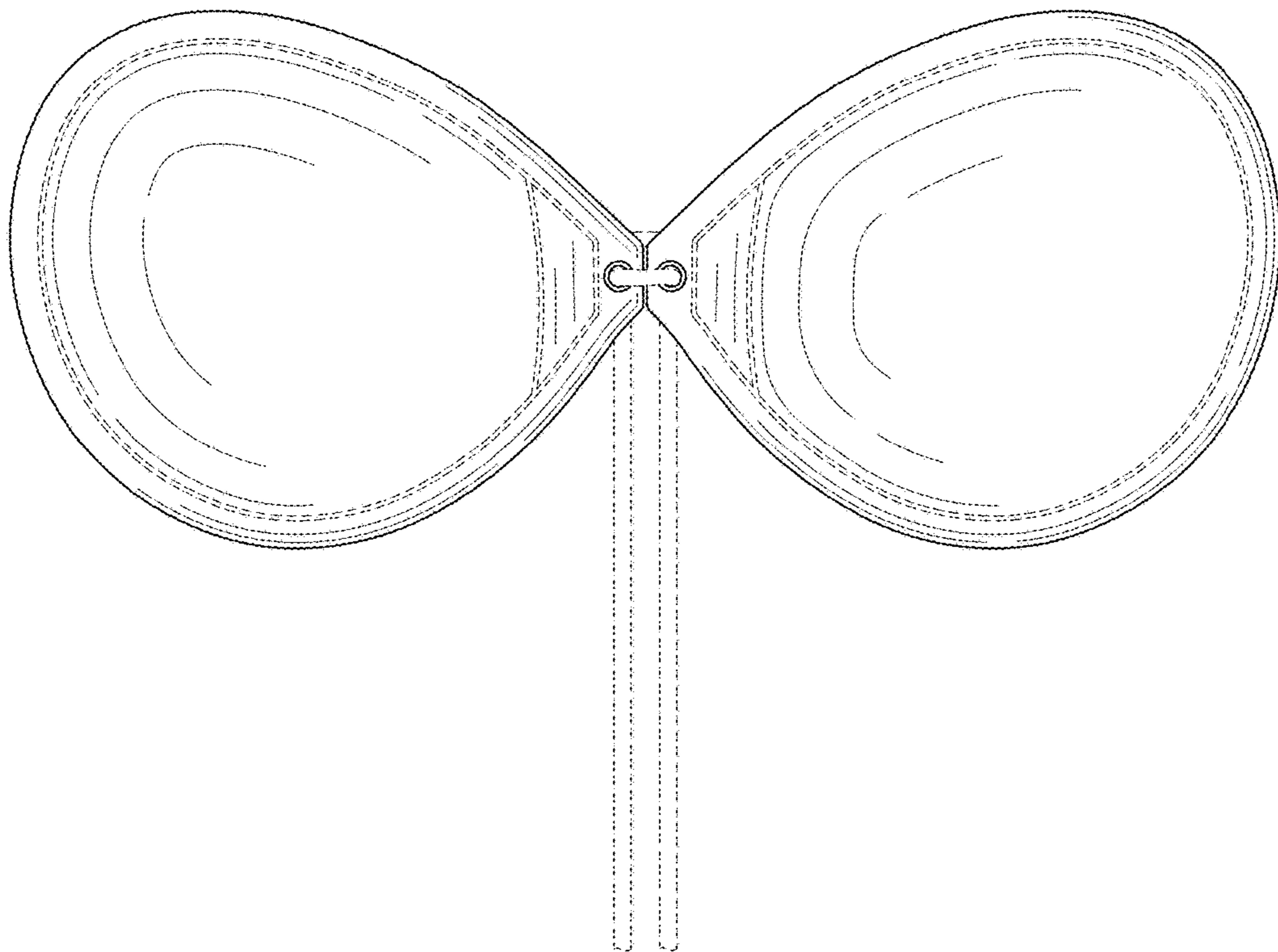


FIG. 4

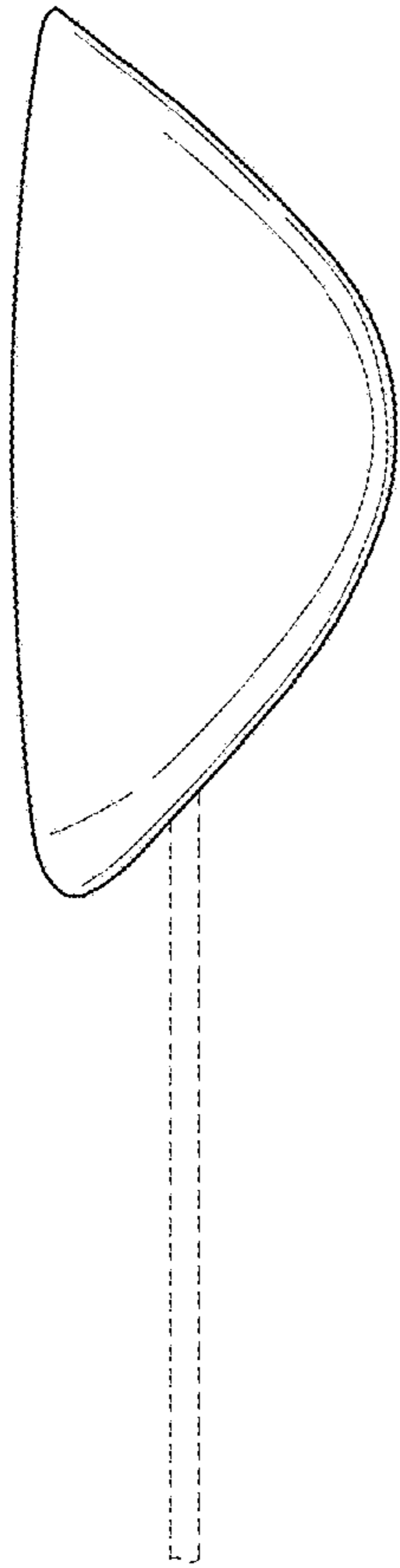


FIG. 5

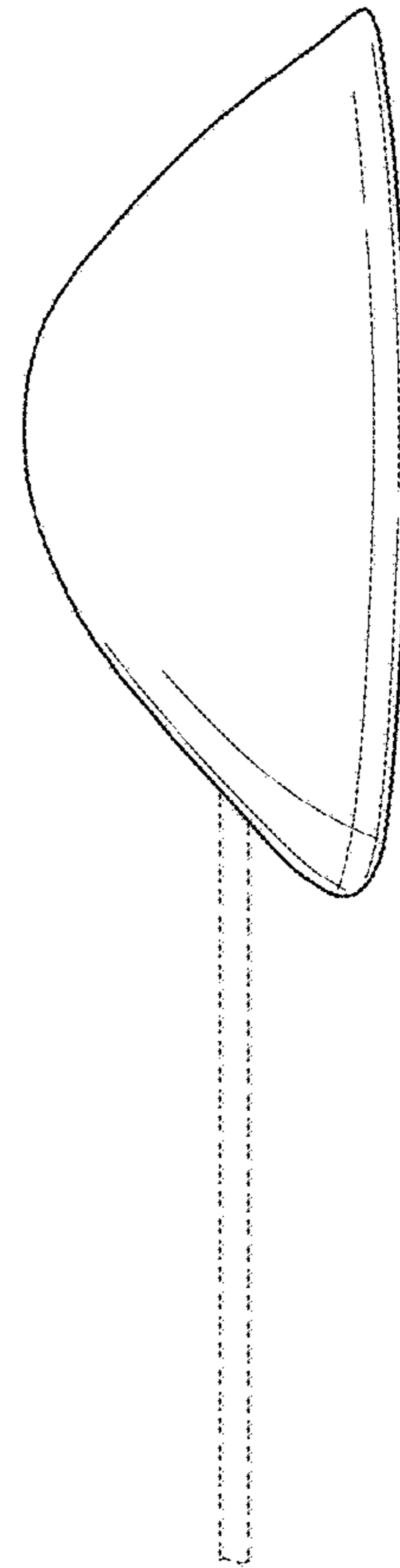


FIG. 6

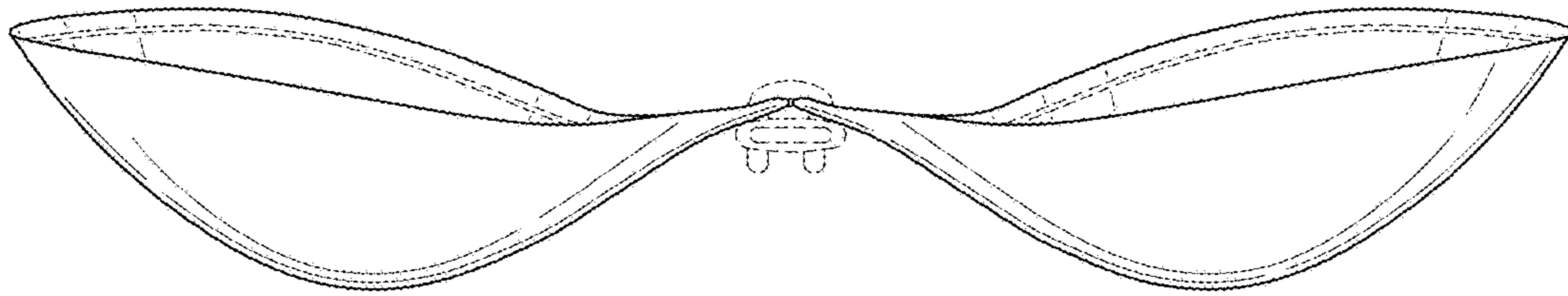


FIG. 7

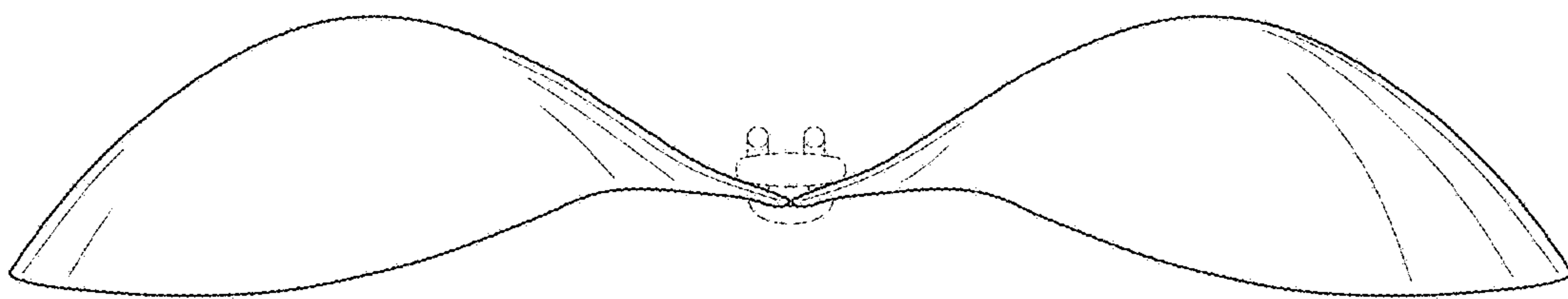


FIG. 8

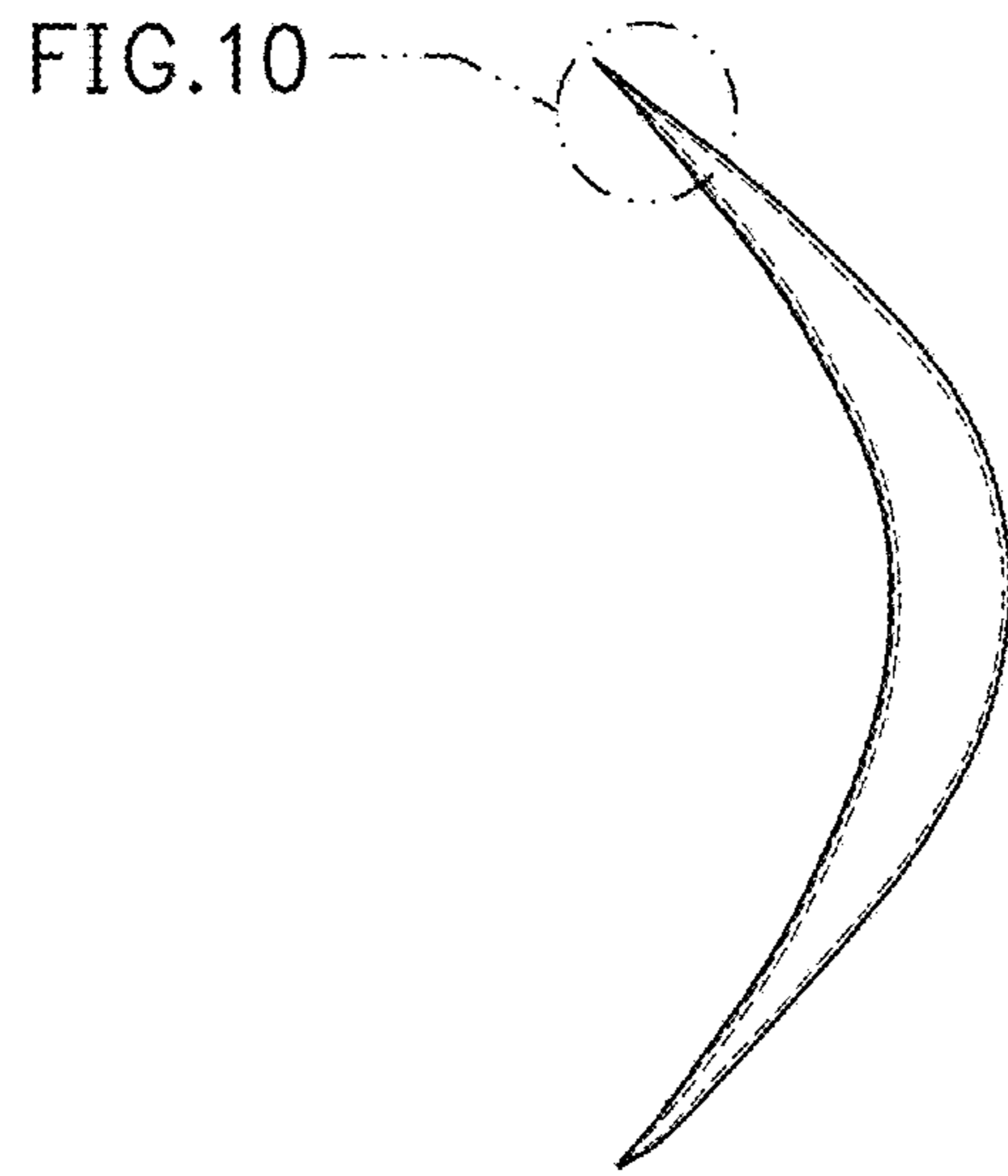


FIG. 9

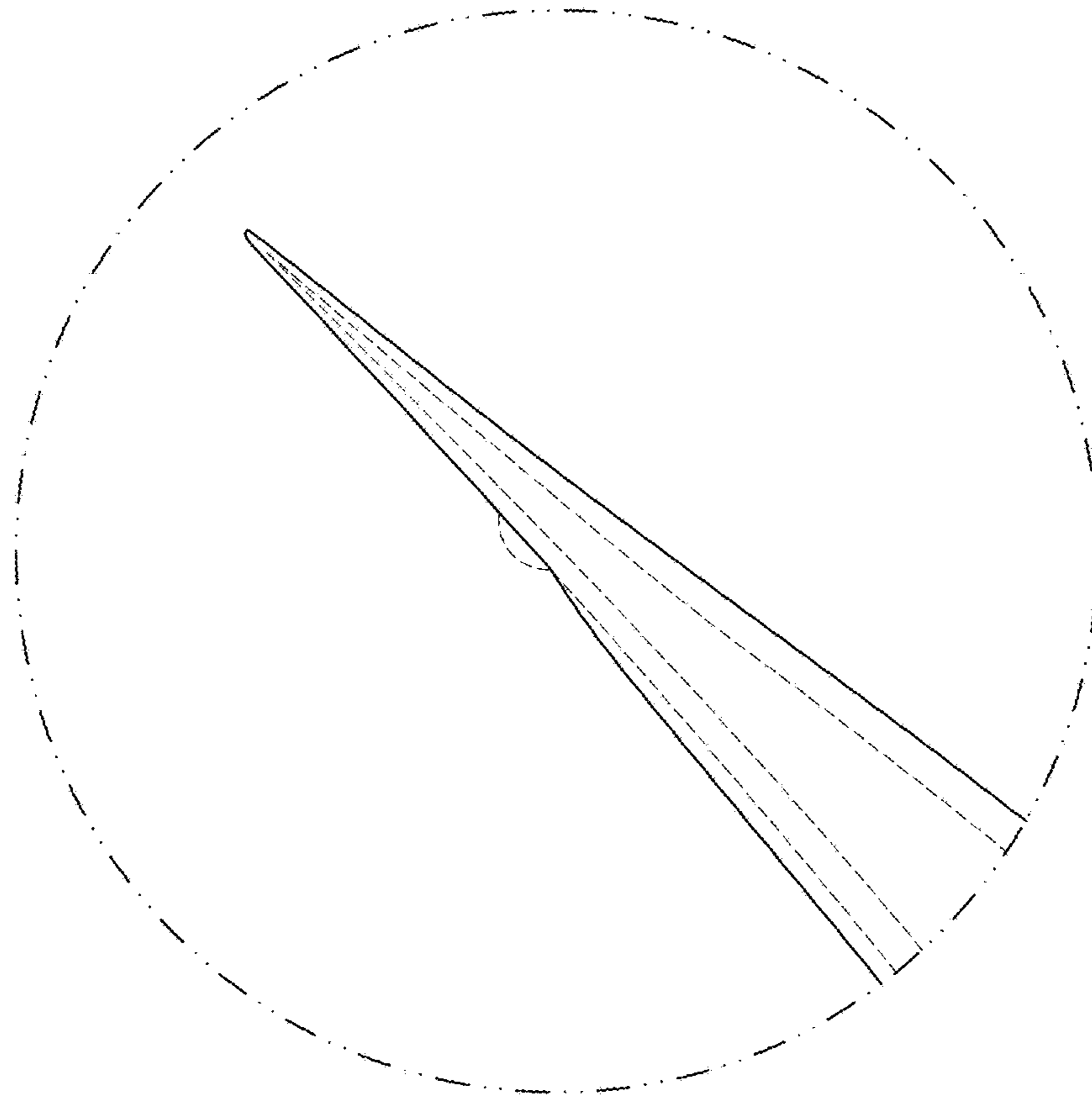


FIG. 10