



US00D841277S

(12) **United States Design Patent** (10) **Patent No.:** **US D841,277 S**  
**Chintalapalli Patta et al.** (45) **Date of Patent:** **\*\* Feb. 19, 2019**

(54) **GRIPPER ASSEMBLY FOR HANDLING GOODS**

(71) Applicant: **Tata Consultancy Services Limited,**  
Maharashtra (IN)

(72) Inventors: **Venkat Raju Chintalapalli Patta,**  
Bangalore (IN); **Swagat Kumar,**  
Bangalore (IN)

(73) Assignee: **TATA CONSULTANCY SERVICES LIMITED (IN)**

(\*\*) Term: **15 Years**

(21) Appl. No.: **29/582,225**

(22) Filed: **Oct. 26, 2016**

(30) **Foreign Application Priority Data**

Jun. 24, 2016 (IN) ..... 284675

(51) **LOC (11) Cl.** ..... **12-05**

(52) **U.S. Cl.**  
USPC ..... **D34/35**

(58) **Field of Classification Search**  
USPC ..... D8/394; D25/62-65, 69; D34/28, 34, 35  
See application file for complete search history.

(56) **References Cited**

**U.S. PATENT DOCUMENTS**

D132,304 S \* 5/1942 Stoddard ..... D34/35  
D267,186 S \* 12/1982 Winqvist ..... D23/245

D308,405 S \* 6/1990 Yoder ..... D22/134  
D318,409 S \* 7/1991 Garrett ..... D8/72  
5,234,325 A \* 8/1993 Hill ..... B29C 73/025  
156/94  
D712,226 S \* 9/2014 Francaviglia ..... D13/149  
D726,985 S \* 4/2015 Gundogan ..... D34/23  
D761,099 S \* 7/2016 Seo ..... D8/394  
D767,983 S \* 10/2016 Jiang ..... D8/394  
D770,642 S \* 11/2016 Johnson ..... D25/62  
D805,658 S \* 12/2017 Sailer ..... D25/69  
2017/0368693 A1 \* 12/2017 Chinatalapalli Patta .....  
B25J 15/0616

\* cited by examiner

*Primary Examiner* — Vy N Koenig

(74) *Attorney, Agent, or Firm* — Hayes Soloway P.C.

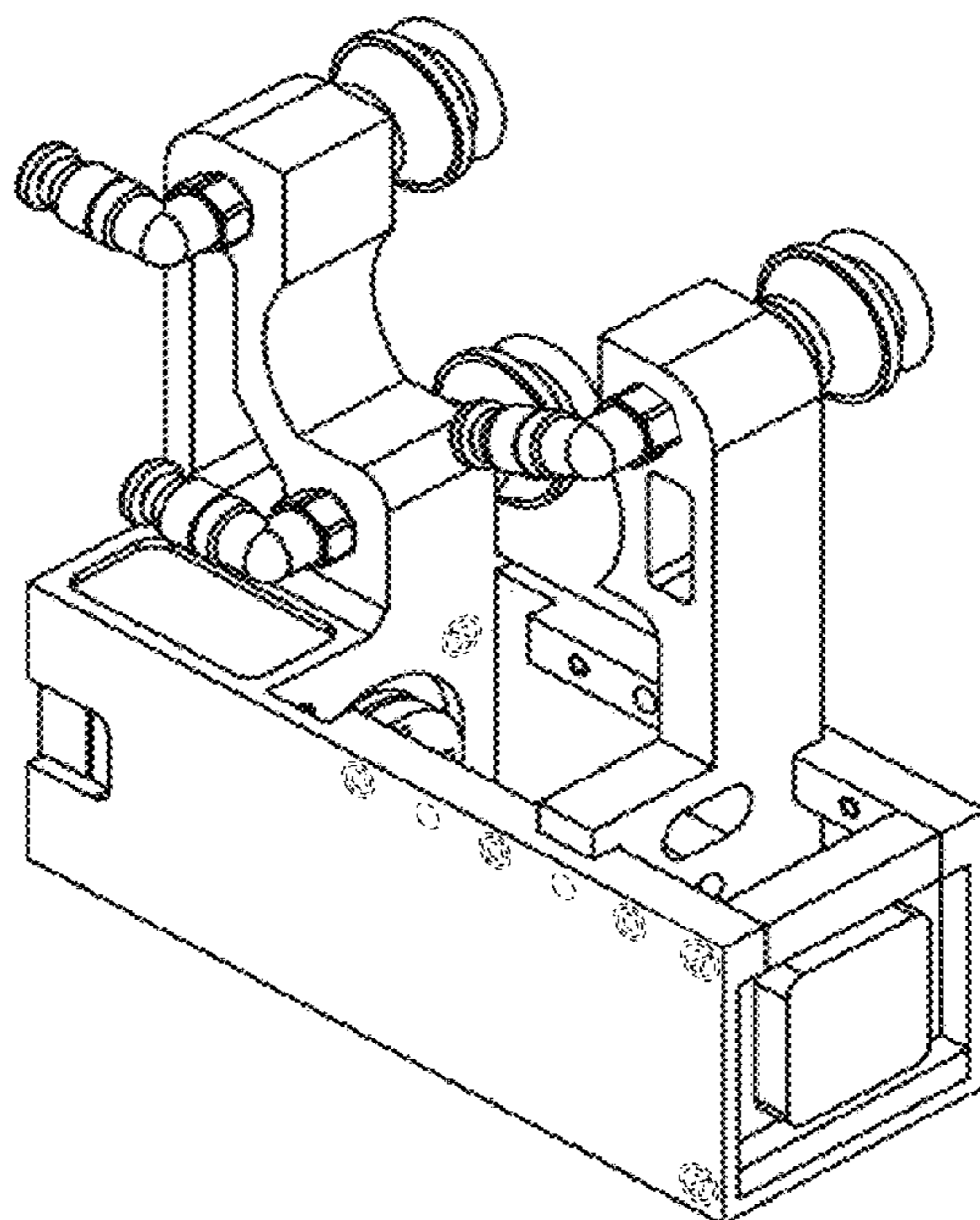
(57) **CLAIM**

We claim the ornamental design for a gripper assembly for handling goods, as shown and described.

**DESCRIPTION**

FIG. 1 is a front view of a gripper assembly for handling goods showing our new design;  
FIG. 2 is a back view thereof;  
FIG. 3 is a top view thereof;  
FIG. 4 is a bottom view thereof;  
FIG. 5 is a perspective view thereof;  
FIG. 6 is a right side view thereof; and,  
FIG. 7 is a left side view thereof.  
The broken lines shown in the drawings depict portions of the article that form no part of the claimed design.

**1 Claim, 7 Drawing Sheets**



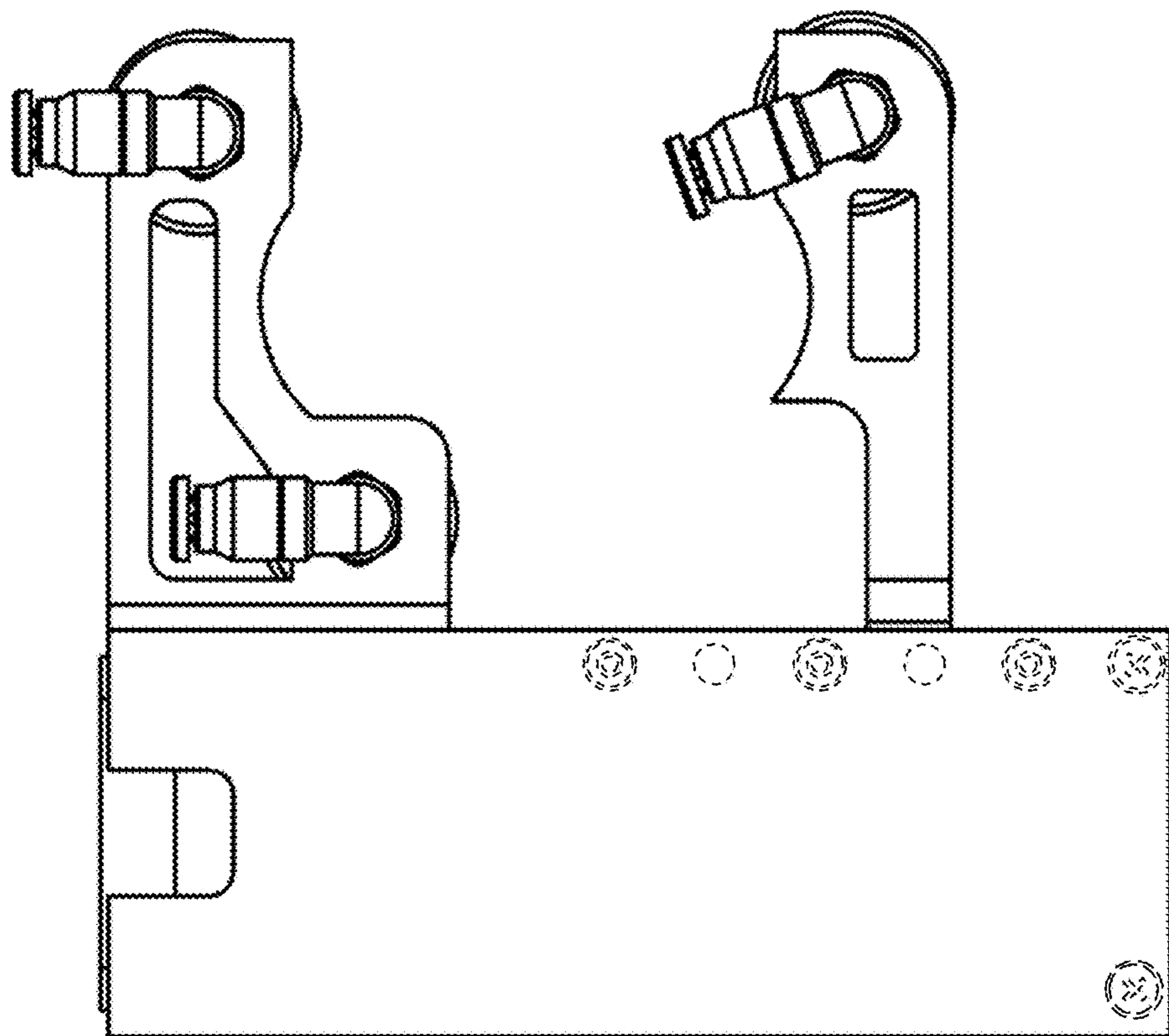


FIG. 1

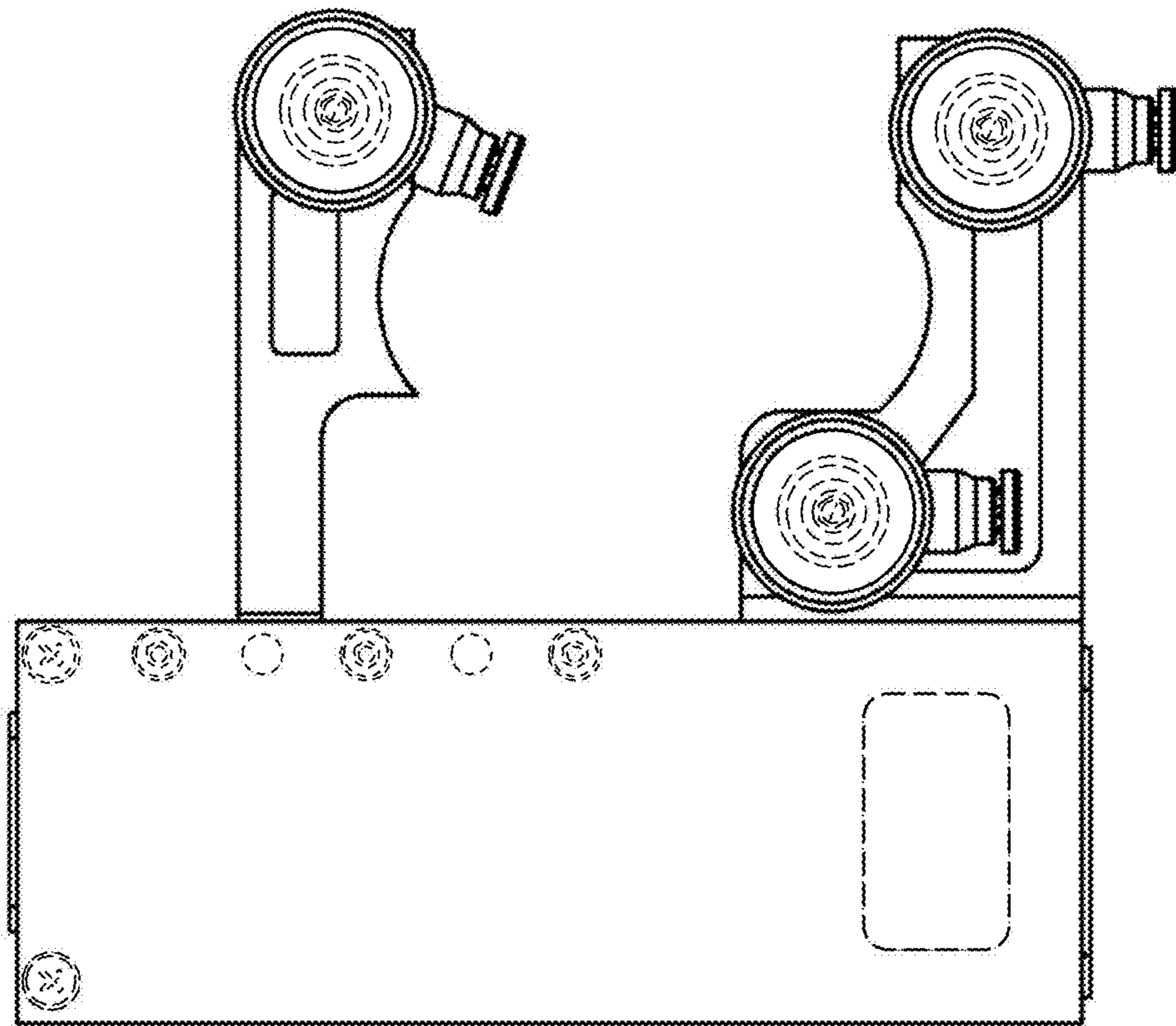


FIG. 2

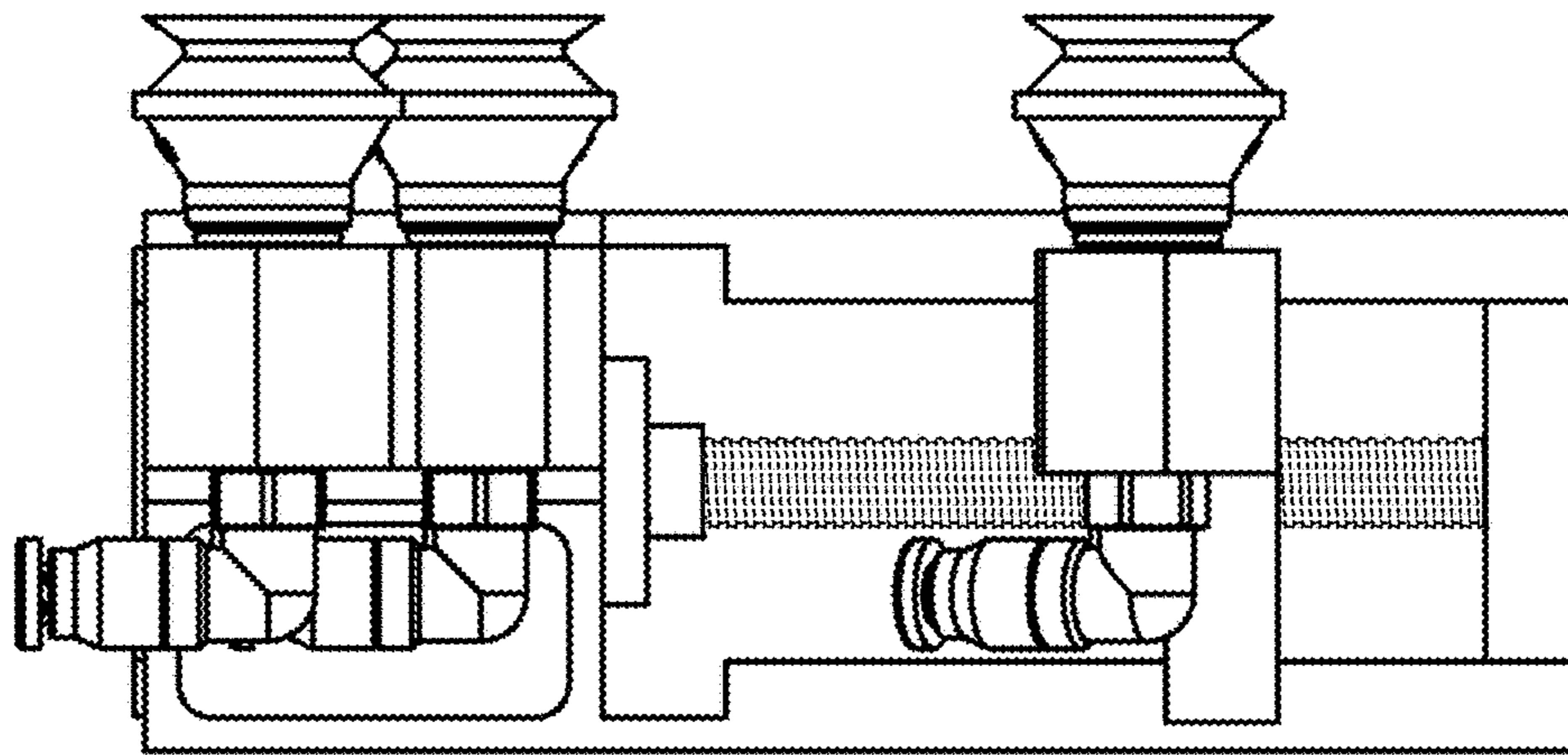


FIG. 3

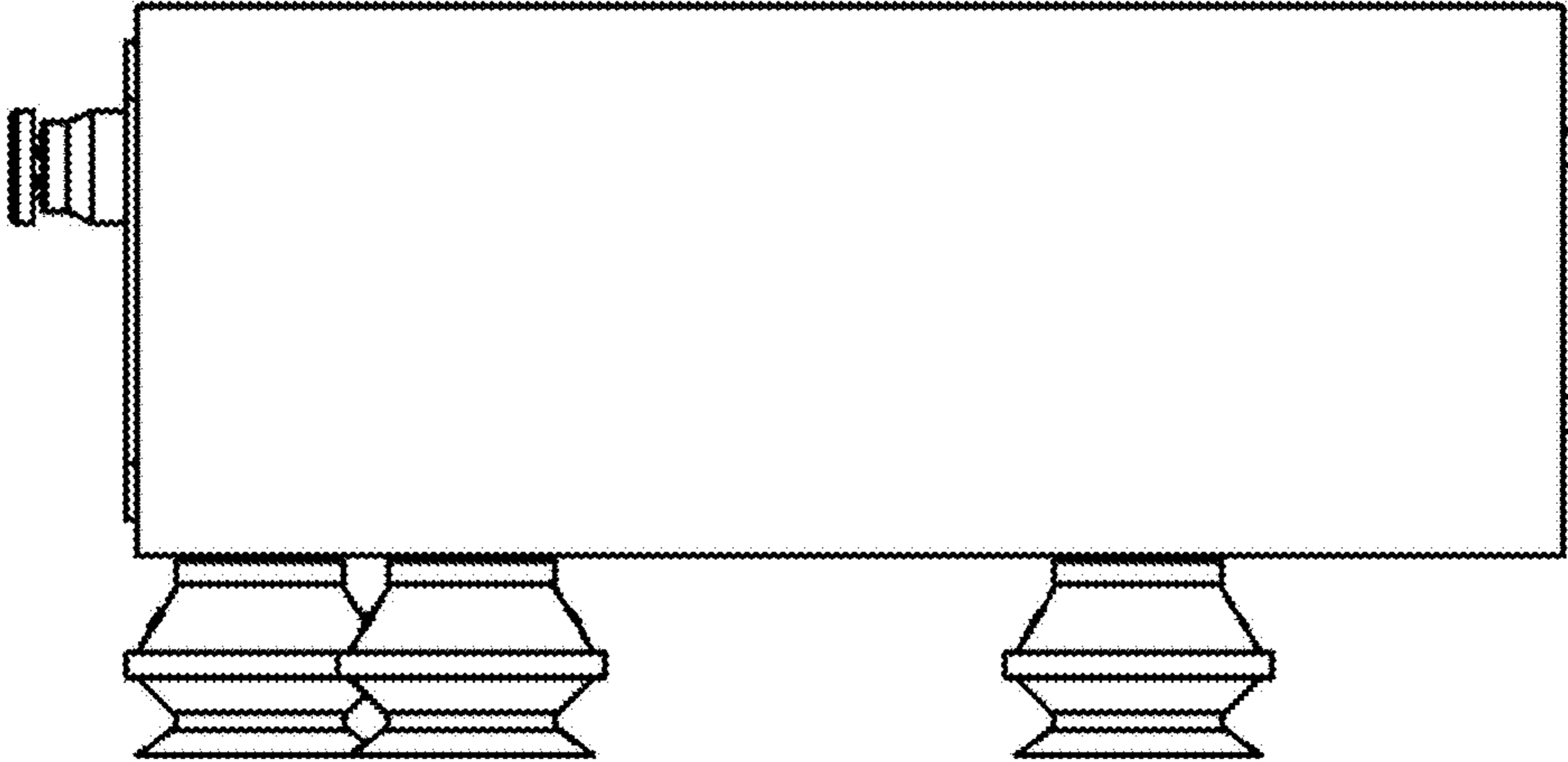


FIG. 4



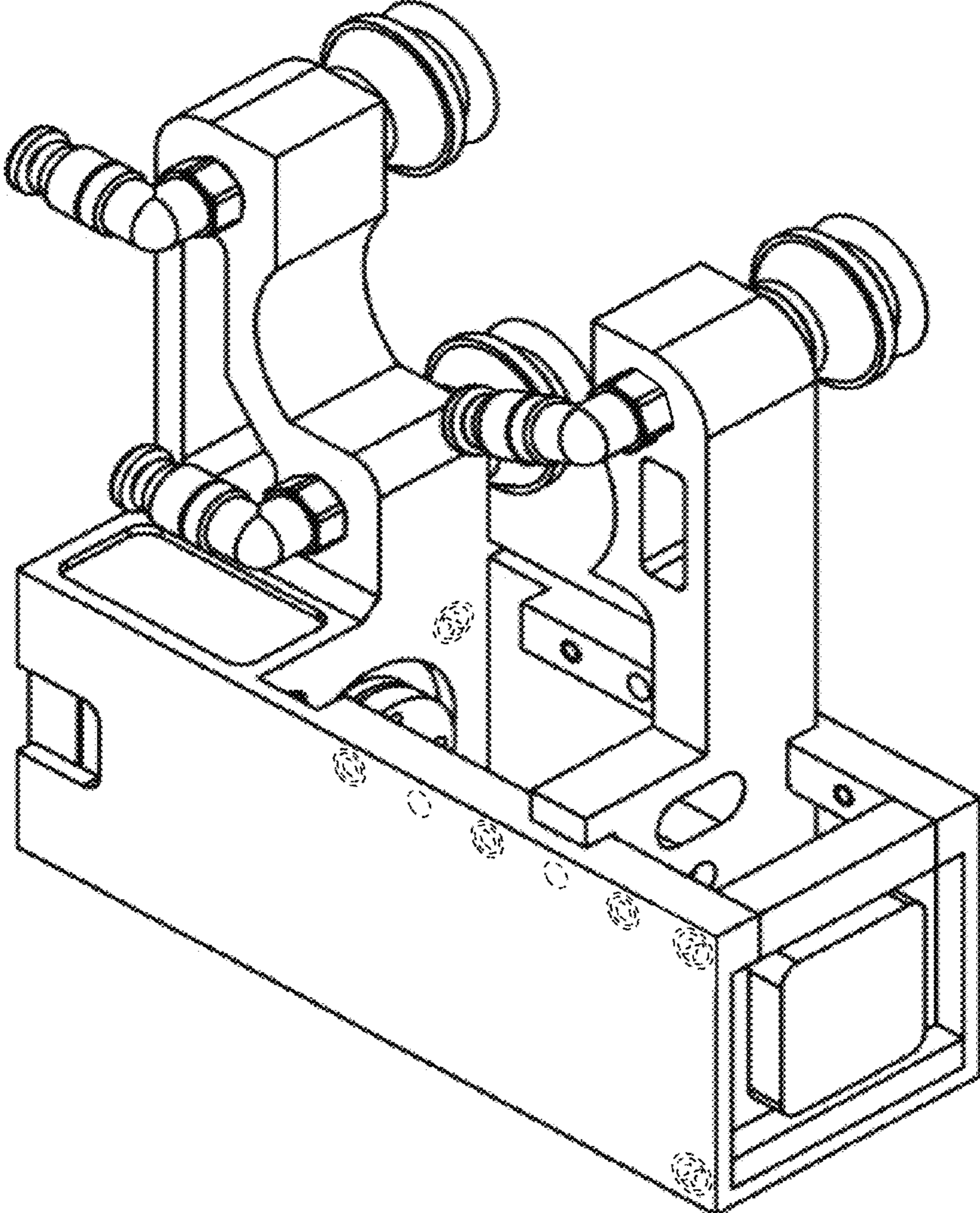


FIG. 5

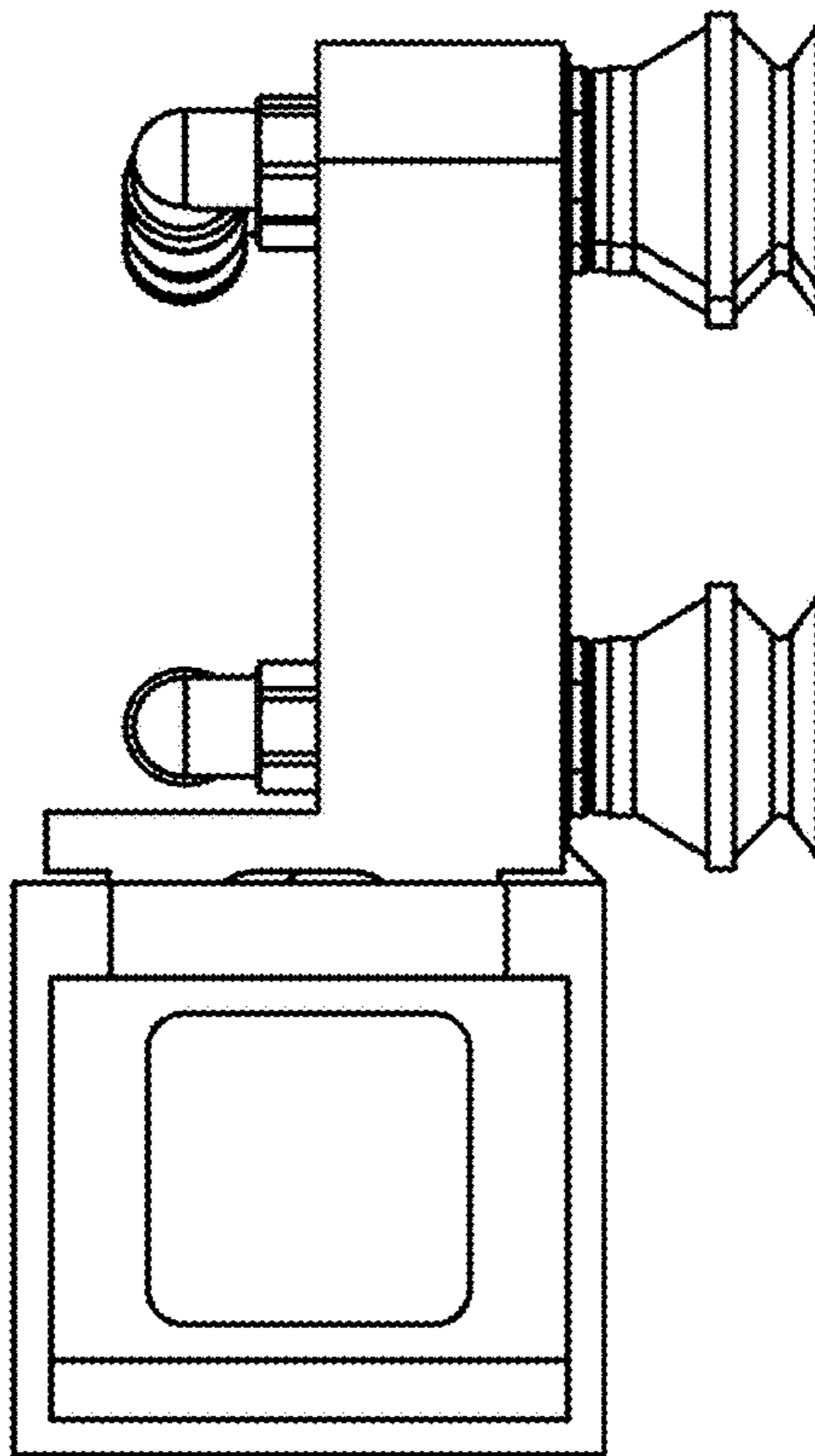


FIG. 6

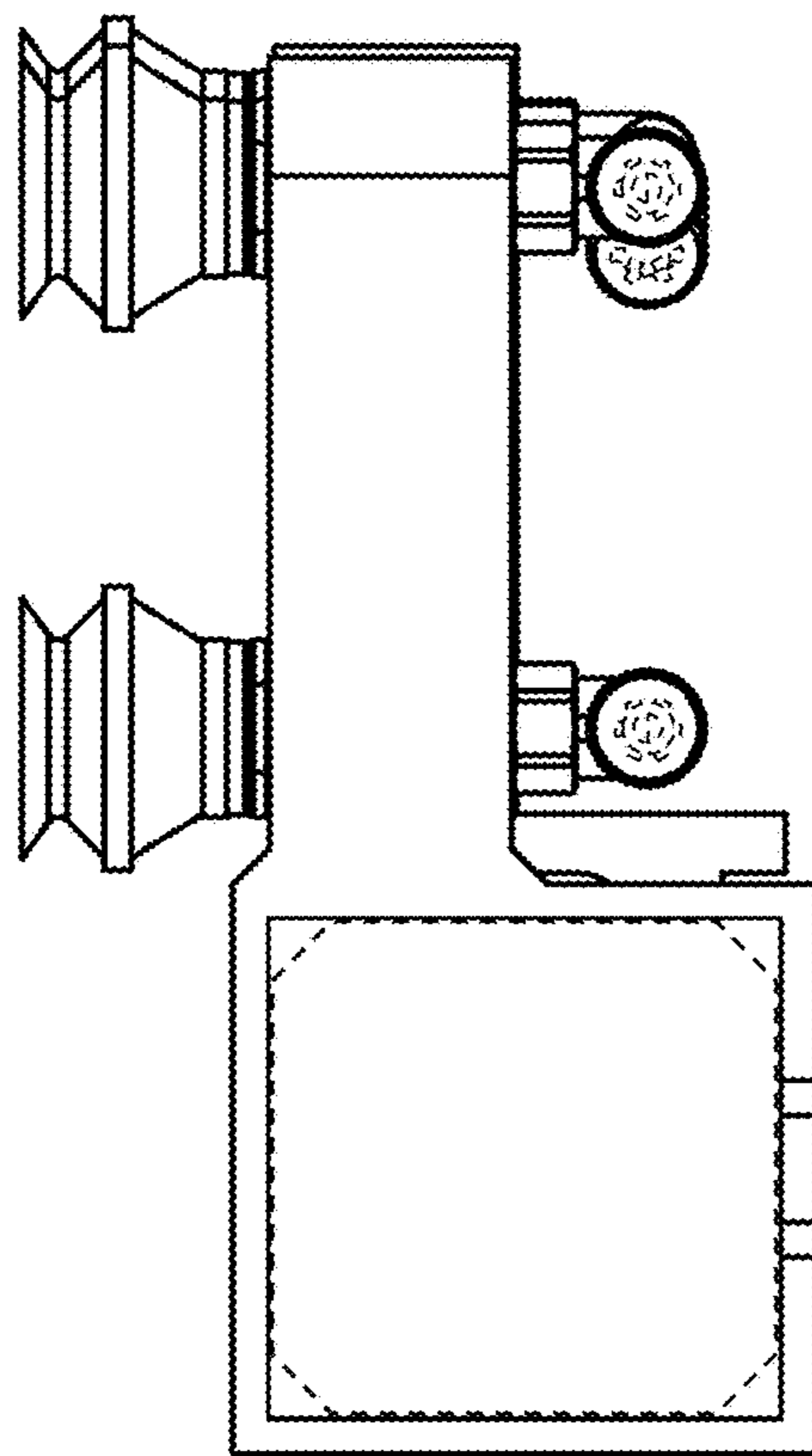


FIG. 7