

US00D841276S

(12) **United States Design Patent**
Lehmann

(10) **Patent No.:** **US D841,276 S**
(45) **Date of Patent:** **** Feb. 19, 2019**

- (54) **AERIAL WORK PLATFORM**
- (71) Applicant: **MANITOU BF (Societe Anonyme), Ancenis (FR)**
- (72) Inventor: **Thierry Lehmann, Nantes (FR)**
- (73) Assignee: **MANITOU BF, Ancenis (FR)**
- (**) Term: **15 Years**
- (21) Appl. No.: **29/560,185**
- (22) Filed: **Apr. 4, 2016**
- (51) **LOC (11) Cl.** **12-05**
- (52) **U.S. Cl.**
USPC **D34/28**
- (58) **Field of Classification Search**
USPC D34/28, 33, 34, 37; 182/19, 69.5;
D15/23, 22, 30, 31, 32, 33; 414/680, 723
CPC B66F 11/042; B66F 11/046; E04G 1/22;
E02F 3/286; E02F 9/0808; E02F 9/0833;
E02F 9/123; E02F 9/02
See application file for complete search history.

- 6,883,641 B2 * 4/2005 Julien B66F 11/042
182/141
- 8,267,222 B2 * 9/2012 Cui B66F 11/042
182/69.5
- 8,505,684 B1 * 8/2013 Bogue B66F 11/042
182/19
- D778,022 S * 1/2017 Sauvaget D34/33

* cited by examiner

Primary Examiner — Cynthia Ramirez

(74) *Attorney, Agent, or Firm* — IPSILON USA, LLP

(57) **CLAIM**

The ornamental design for an aerial work platform, as shown and described.

DESCRIPTION

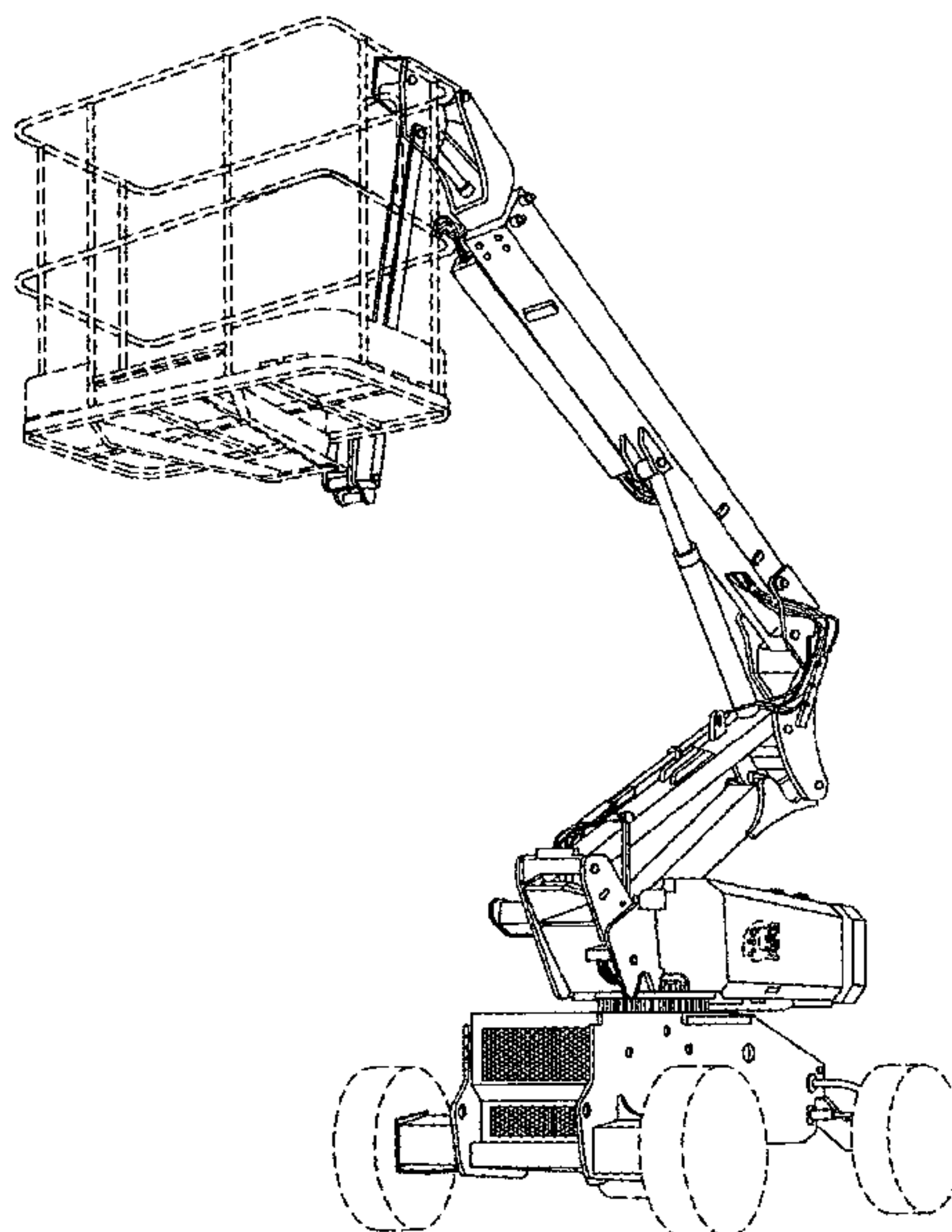
FIG. 1 is a front left perspective view of an aerial work platform, showing my new design.
 FIG. 2 is a front view of the aerial work platform from FIG. 1;
 FIG. 3 is a rear view of the aerial work platform from FIG. 1;
 FIG. 4 is a left side view of the aerial work platform from FIG. 1;
 FIG. 5 is a right side view of the aerial work platform from FIG. 1;
 FIG. 6 is a top view of the aerial work platform from FIG. 1;
 FIG. 7 is a bottom view of the aerial work platform from FIG. 1; and,
 FIG. 8 is a left side perspective view of the aerial work platform from FIG. 1 with the aerial lift arm lowered.
 The elements shown in broken lines are included for the purpose of illustrating portions of the aerial work platform and forms no part of the claimed design.

1 Claim, 8 Drawing Sheets

(56) **References Cited**

U.S. PATENT DOCUMENTS

- 4,088,203 A * 5/1978 Smith, Jr. B66F 11/042
182/141
- 4,690,246 A * 9/1987 Hornagold B66F 11/046
182/131
- D306,369 S * 2/1990 Kishi D34/28
- 4,930,598 A * 6/1990 Murrill E04G 1/22
182/141
- 5,113,972 A * 5/1992 Haak, Sr. B66F 11/042
187/269
- 5,211,259 A * 5/1993 Kishi B66F 11/046
182/2.11



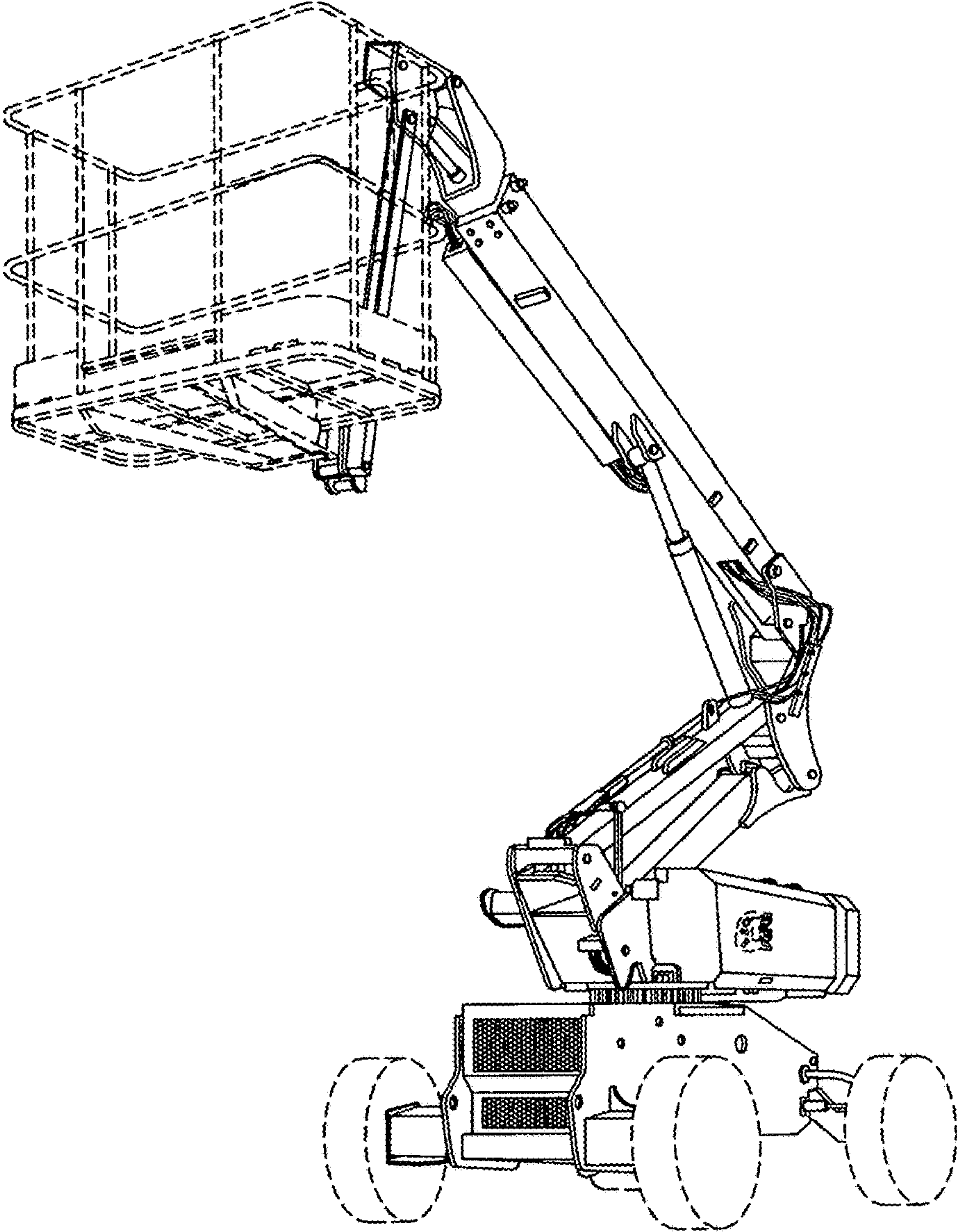


FIG. 1

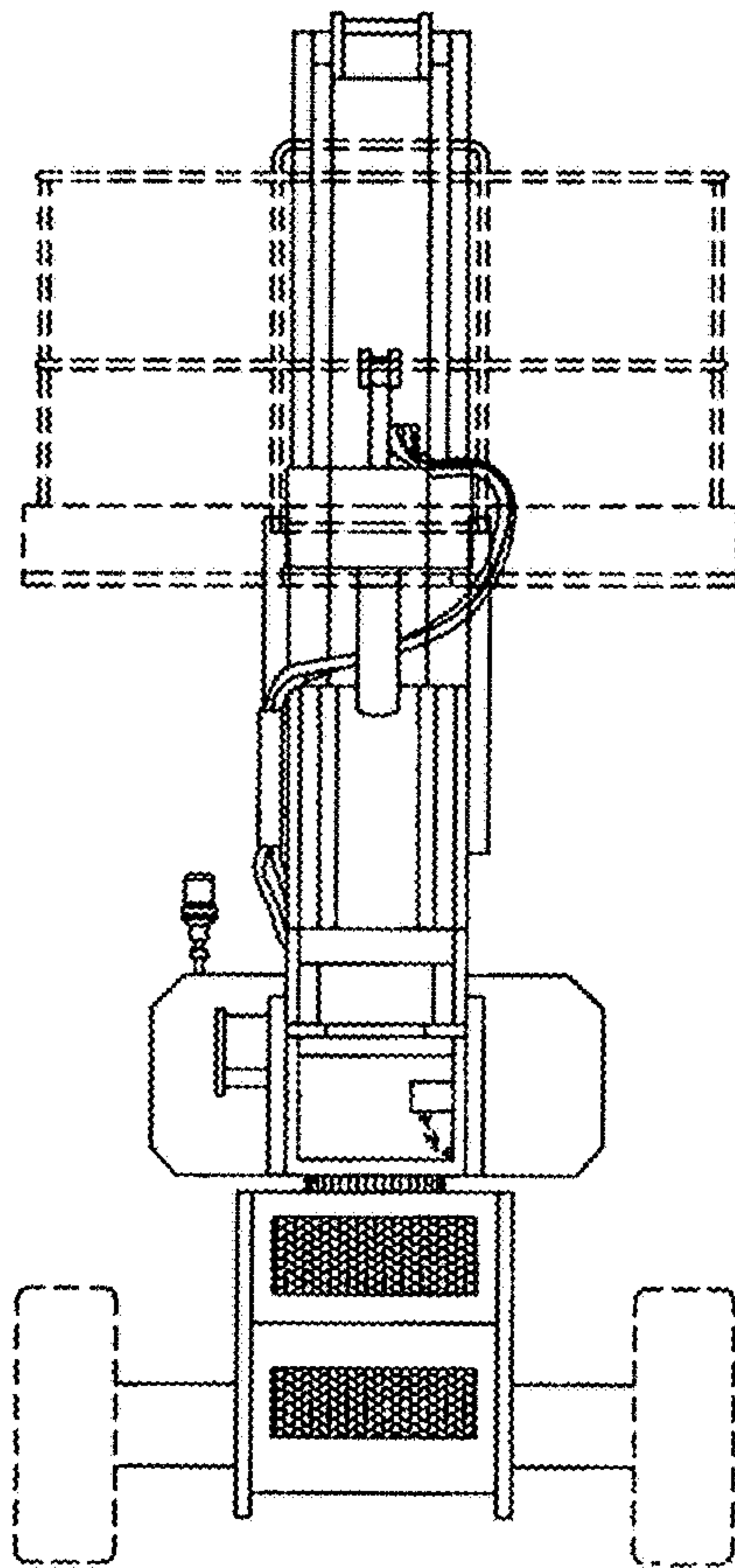


FIG. 2

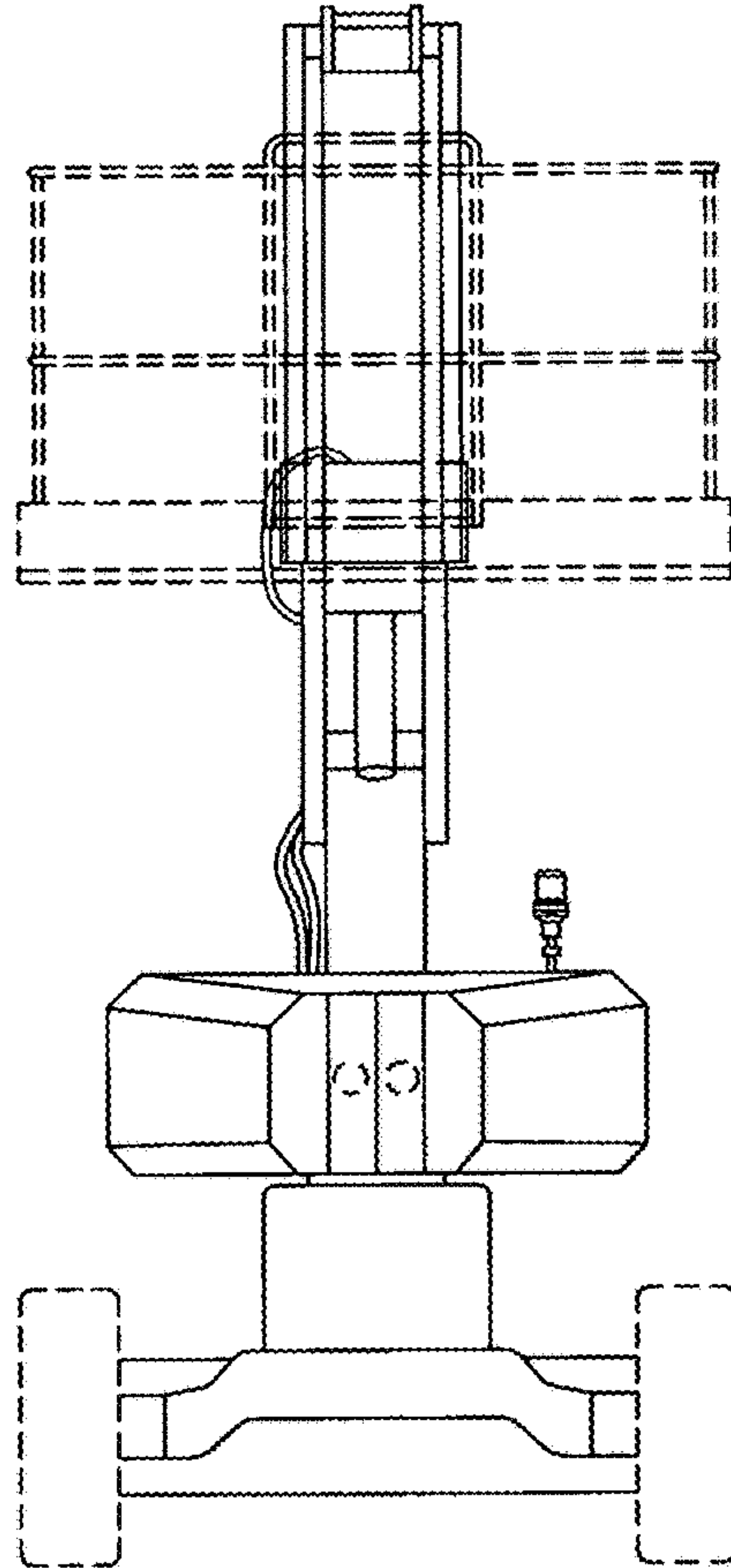


FIG. 3

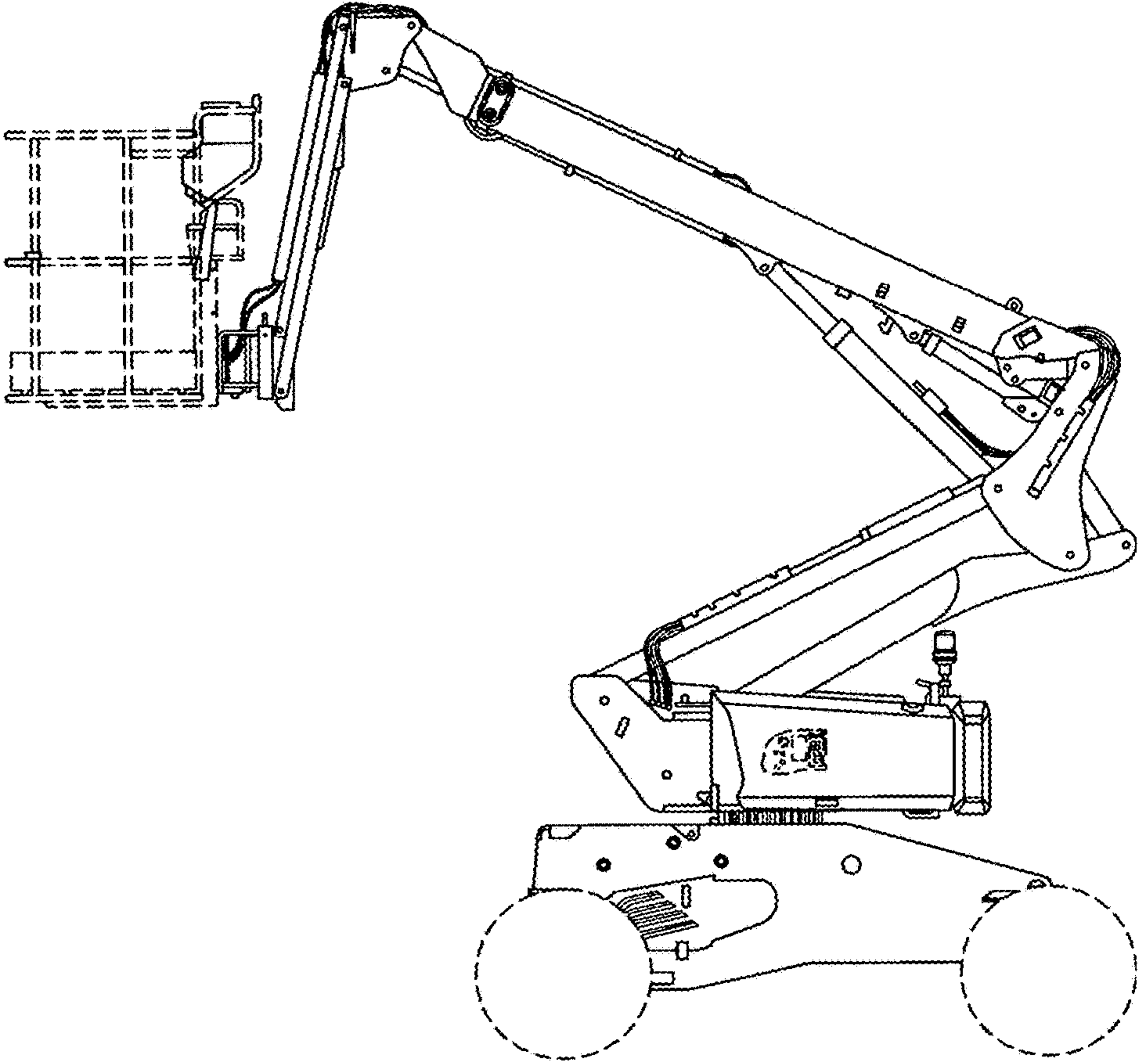


FIG. 4

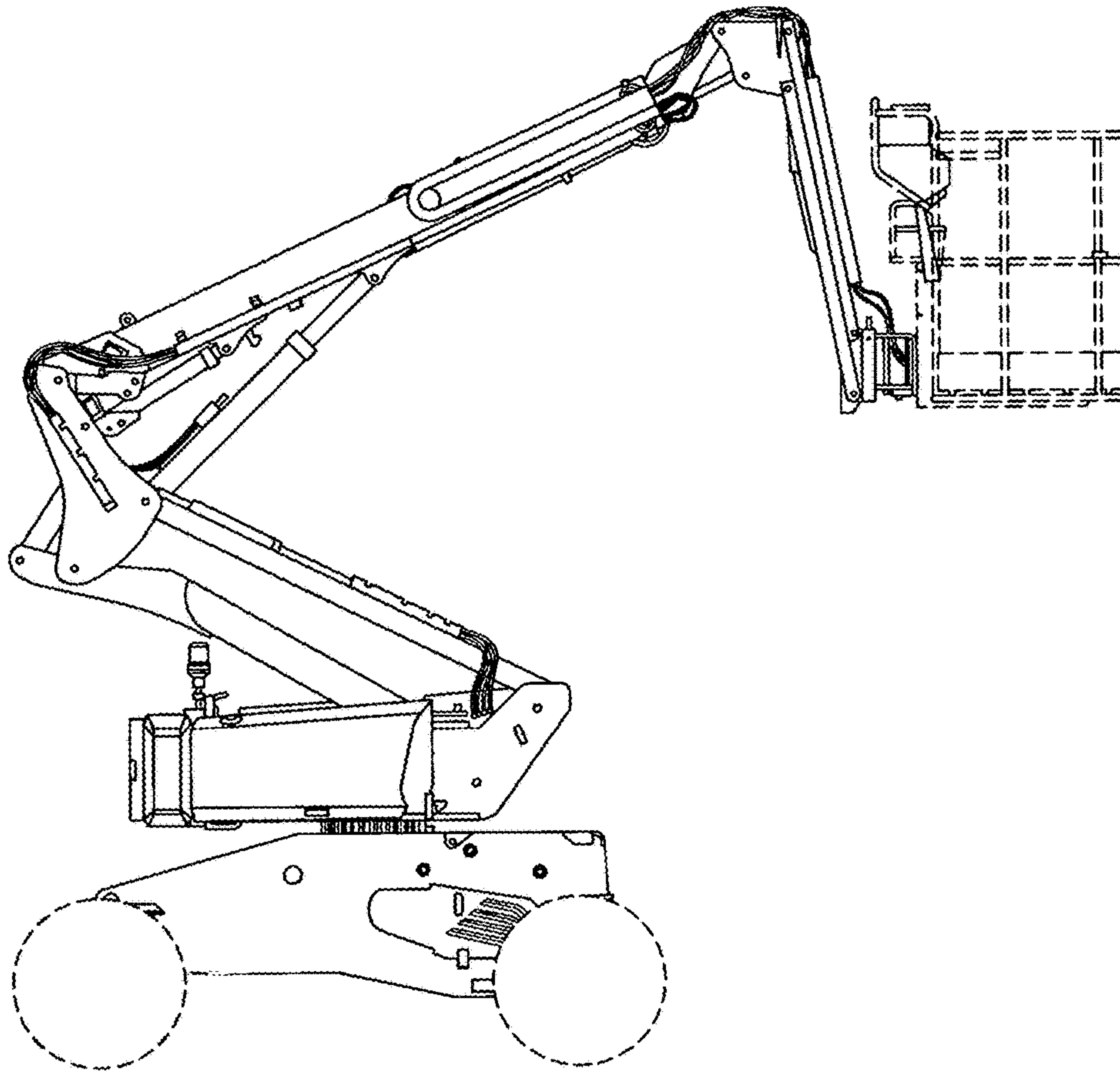


FIG. 5

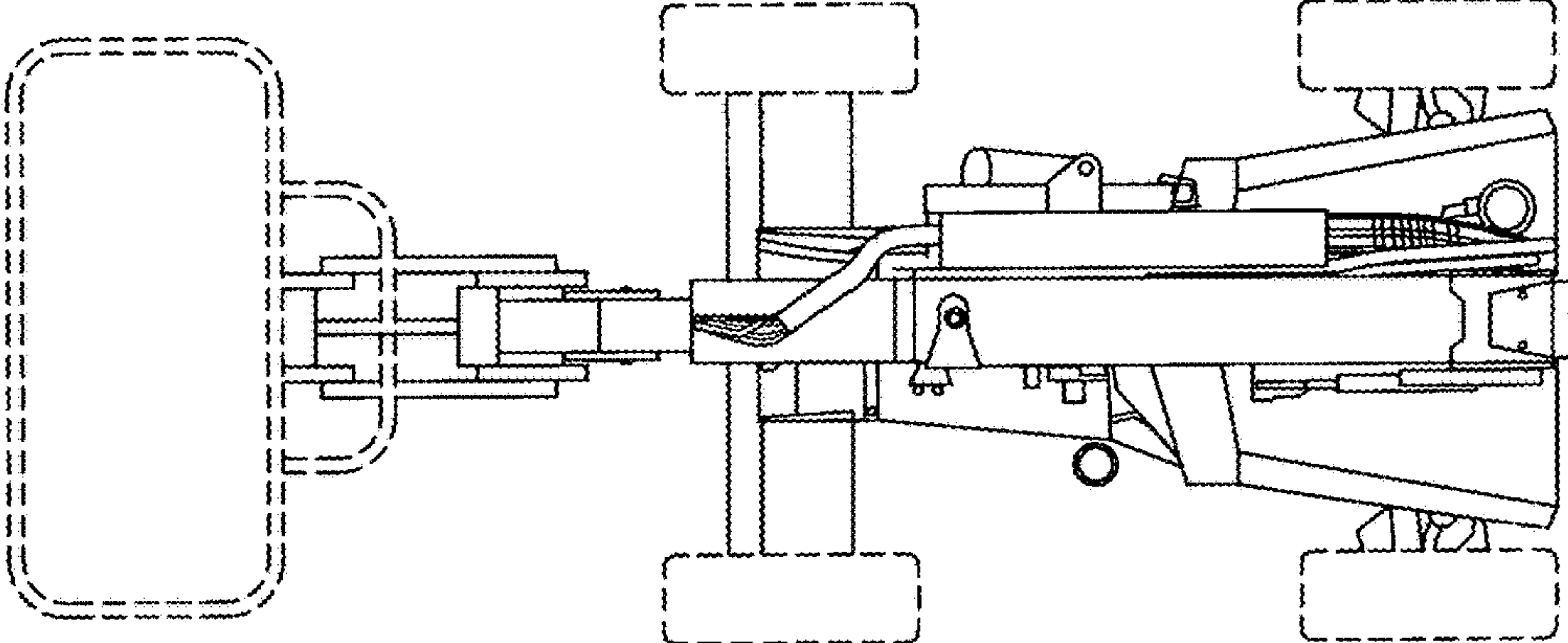


FIG. 6

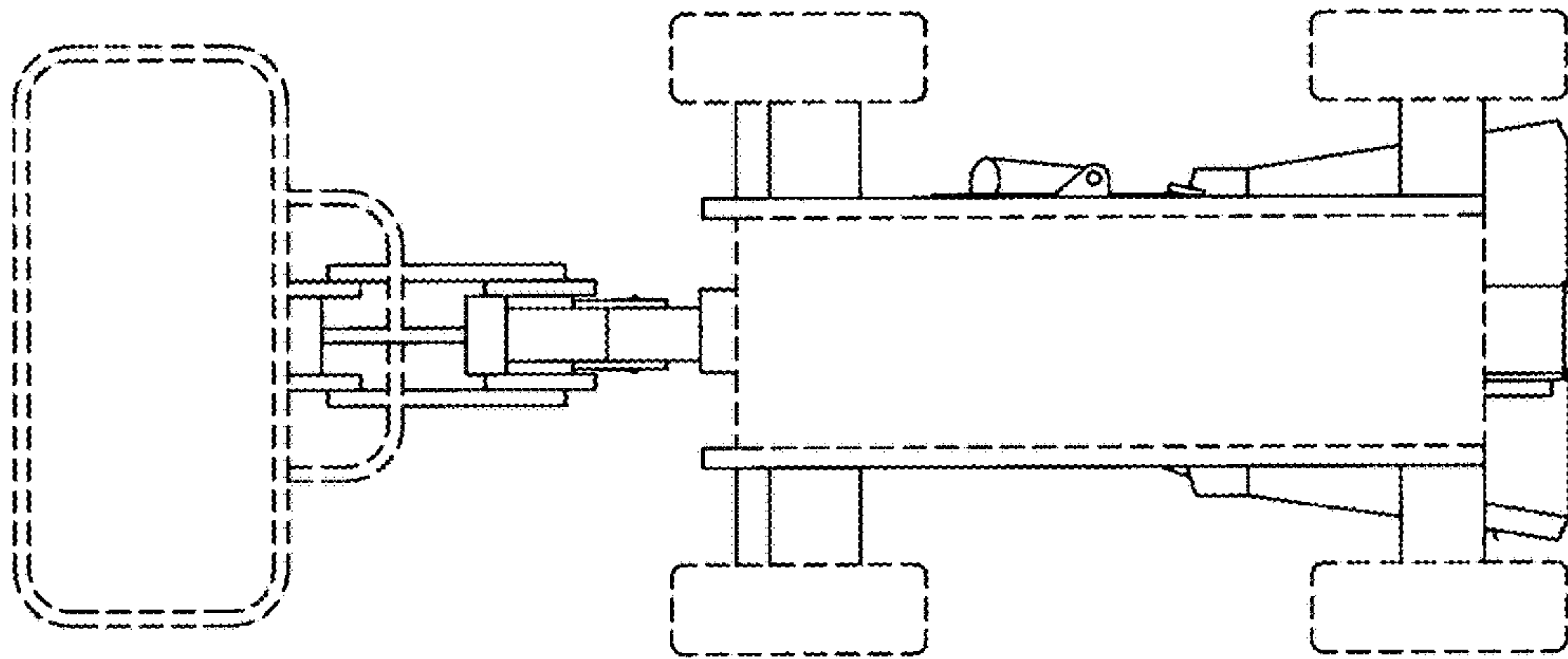


FIG. 7

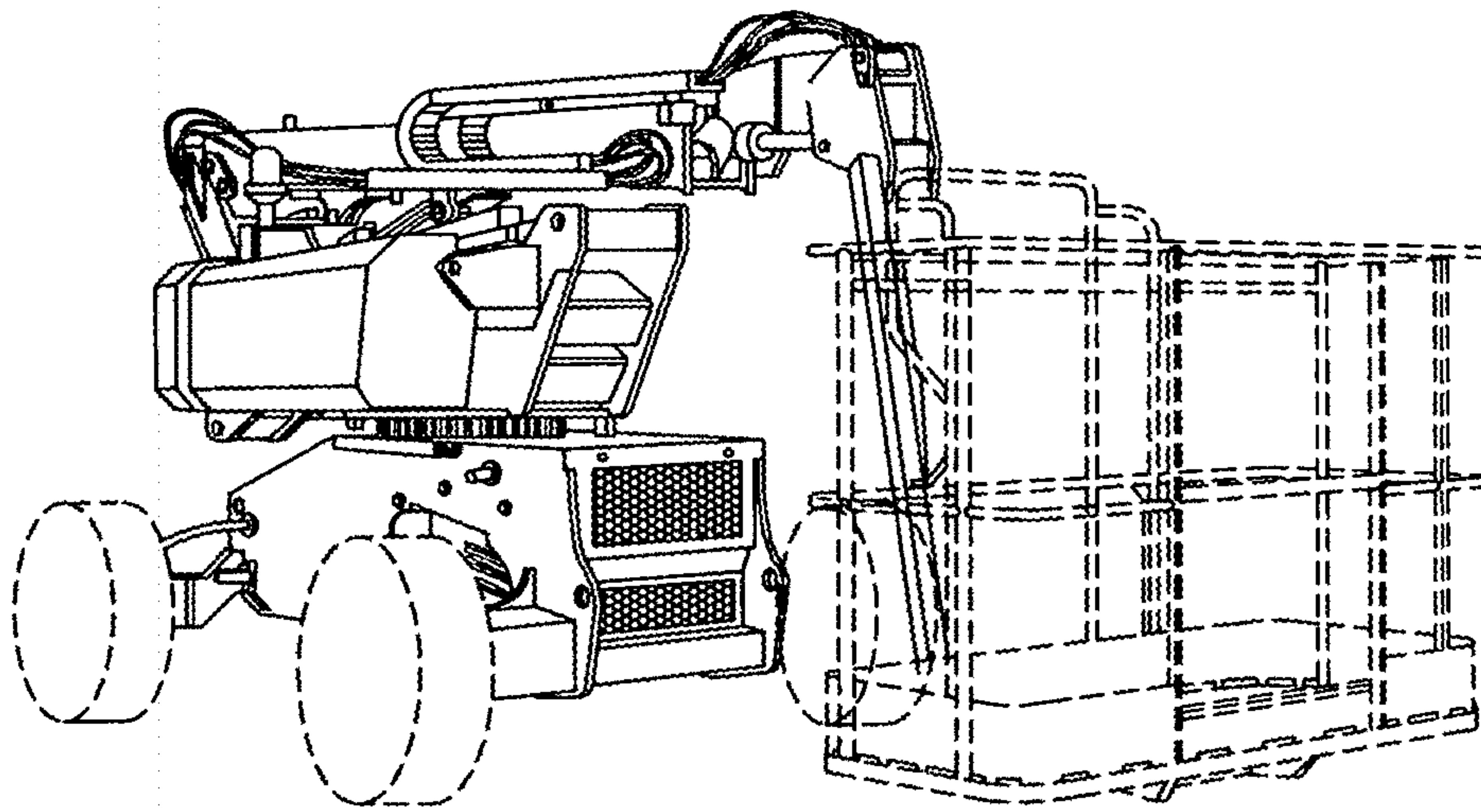


FIG. 8