



US00D841274S

(12) **United States Design Patent** (10) **Patent No.:** **US D841,274 S**
Richter (45) **Date of Patent:** **** Feb. 19, 2019**

(54) **CONTAINER**

(71) Applicant: **DCI Marketing, Inc.**, Milwaukee, WI (US)

(72) Inventor: **Gary M. Richter**, Waukesha, MI (US)

(73) Assignee: **DCI Marketing, Inc.**, Milwaukee, WI (US)

(**) Term: **15 Years**

(21) Appl. No.: **29/593,115**

(22) Filed: **Feb. 6, 2017**

(51) **LOC (11) Cl.** **09-09**

(52) **U.S. Cl.**
USPC **D34/1**

(58) **Field of Classification Search**
USPC D34/1, 5, 6, 7, 10, 11
CPC B65F 1/1638; B65F 1/08; B65F 1/163;
B65F 1/1623; B65F 1/1646; B65B 43/38
See application file for complete search history.

(56) **References Cited**

U.S. PATENT DOCUMENTS

4,450,974	A *	5/1984	Winden	B65F 1/08 220/23.87
4,598,838	A	7/1986	Zakrajsek		
D289,458	S	4/1987	Zakrajsek		
4,948,004	A	8/1990	Chich		
D331,824	S *	12/1992	Haas	D34/5
D333,196	S *	2/1993	Dziersk	D34/1
D414,587	S *	9/1999	Douglas	D34/1
D521,202	S *	5/2006	Lin	D11/143
D531,777	S	11/2006	Richter		
D595,915	S *	7/2009	Skalka	D34/1
D759,332	S *	6/2016	Basmajian	D34/1
D778,520	S *	2/2017	Richter	D34/7
D805,352	S *	12/2017	Thuma	D7/523
D805,708	S *	12/2017	Kopp	D34/11
D814,733	S *	4/2018	Peterson	D34/7

D814,734	S *	4/2018	Richter	D34/11
D822,301	S *	7/2018	Ricks	D34/7
D825,876	S *	8/2018	Chen	D34/1
2016/0272418	A1 *	9/2016	Han	B65F 1/06

OTHER PUBLICATIONS

United States Patent and Trademark Office, U.S. Trademark Registration No. 1,770,080, Miscellaneous Design, Registered May 11, 1993, 1 p.

(Continued)

Primary Examiner — Cynthia Ramirez

(74) *Attorney, Agent, or Firm* — Fitch, Even, Tabin & Flannery LLP

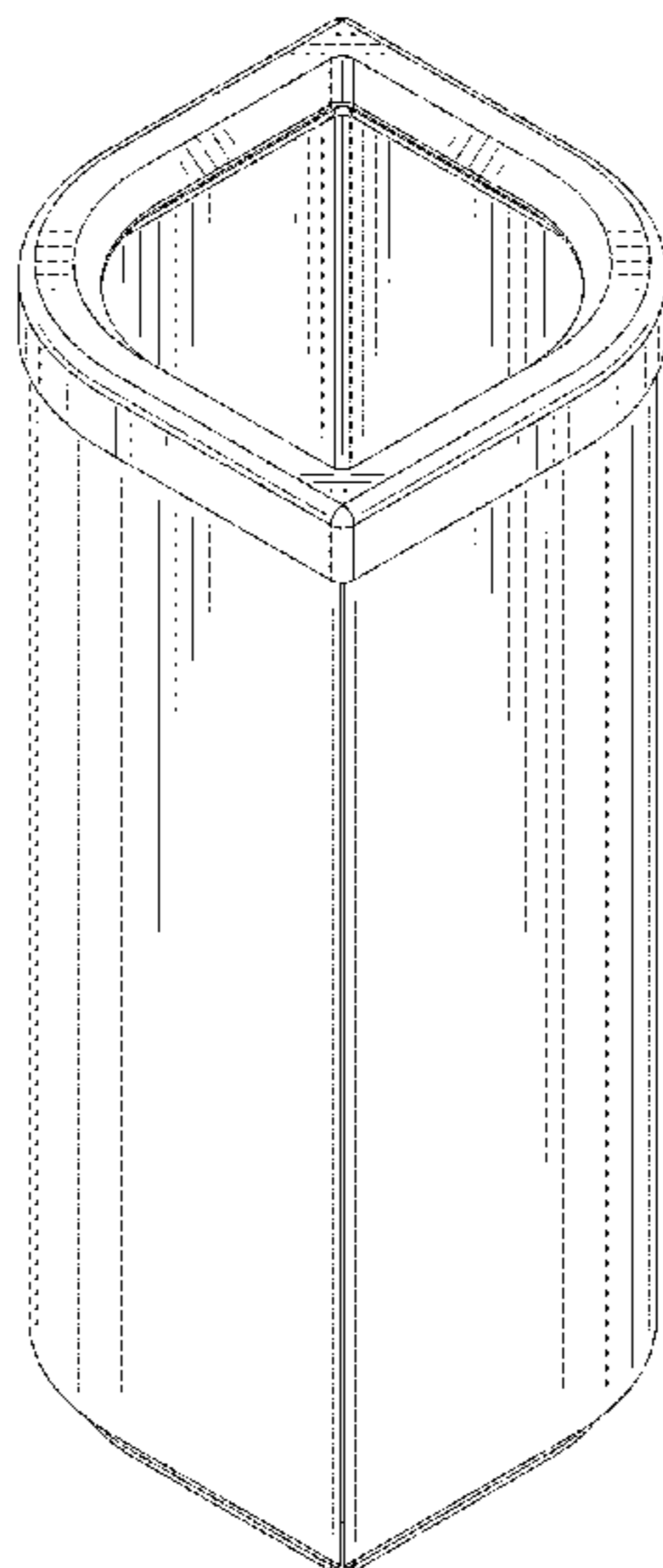
(57) **CLAIM**

I claim the ornamental design for a container, as shown and described.

DESCRIPTION

FIG. 1 is a top perspective view of an arrangement of a container in accordance with my new design; FIG. 2 is a bottom perspective view of the container of FIG. 1; FIG. 3 is a front elevation view of the container of FIG. 2; FIG. 4 is a rear elevation view of the container of FIG. 3; FIG. 5 is a left side elevation view of the container of FIG. 4; FIG. 6 is a right side elevation view of the container of FIG. 5; FIG. 7 is a top plan view of the container of FIG. 6; FIG. 8 is a bottom plan view of the container of FIG. 7; FIG. 9 is a cross-section view of the container of FIG. 8 sectioned along the line shown in FIG. 9; and, FIG. 10 is an exploded view of the container of FIG. 9.

1 Claim, 9 Drawing Sheets



(56)

References Cited

OTHER PUBLICATIONS

United States Patent and Trademark Office, U.S. Trademark Registration No. 2,908,996, Miscellaneous Design, Registered Dec. 7, 2004, 1 p.

United States Patent and Trademark Office, Non-final Office Action issued in U.S. Appl. No. 29/502,226, dated Nov. 13, 2015, 8 pp.

* cited by examiner

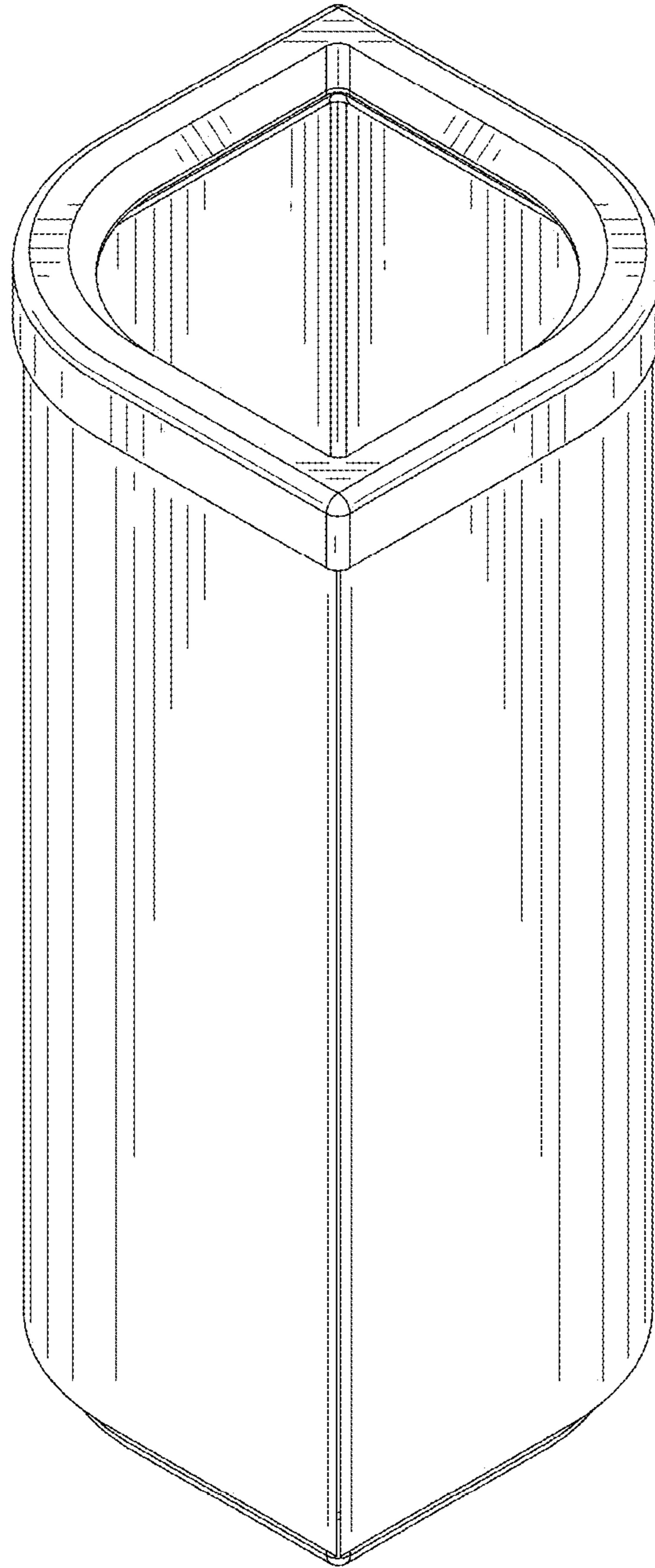


FIG. 1

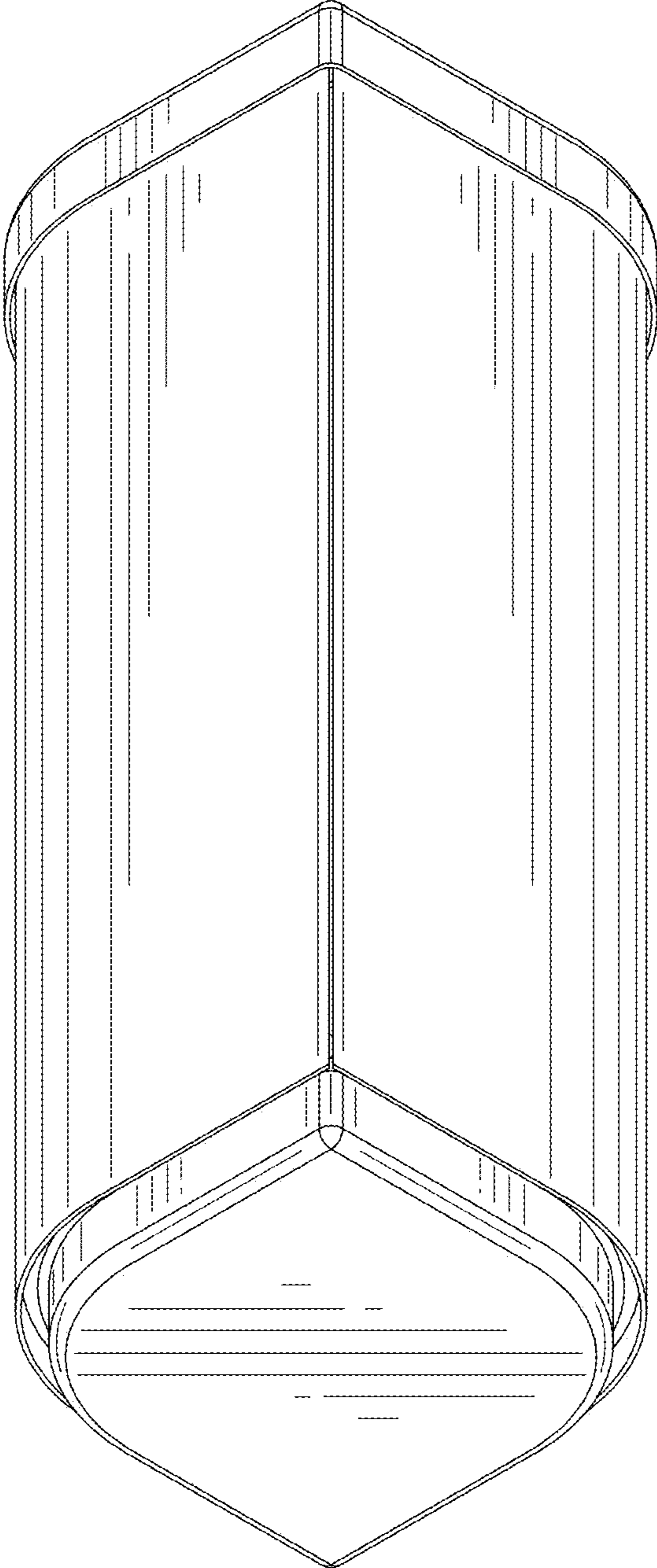


FIG. 2

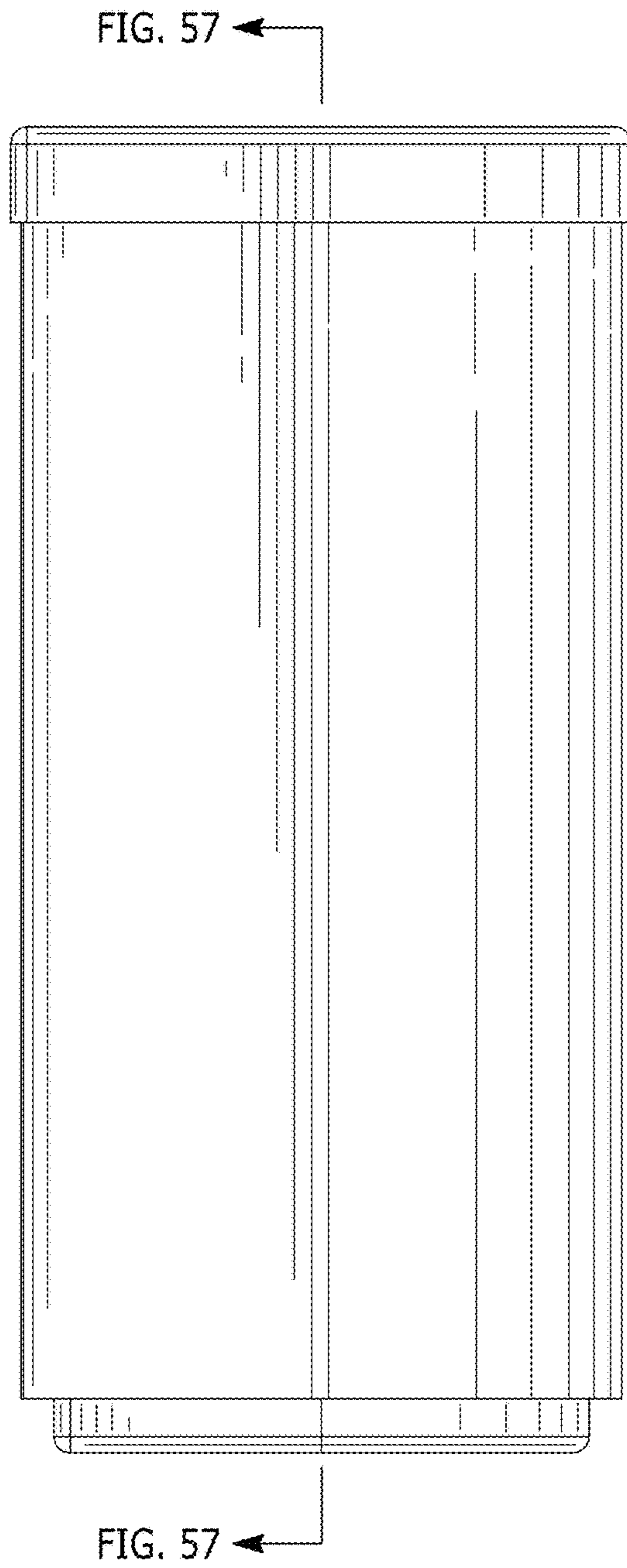


FIG. 3

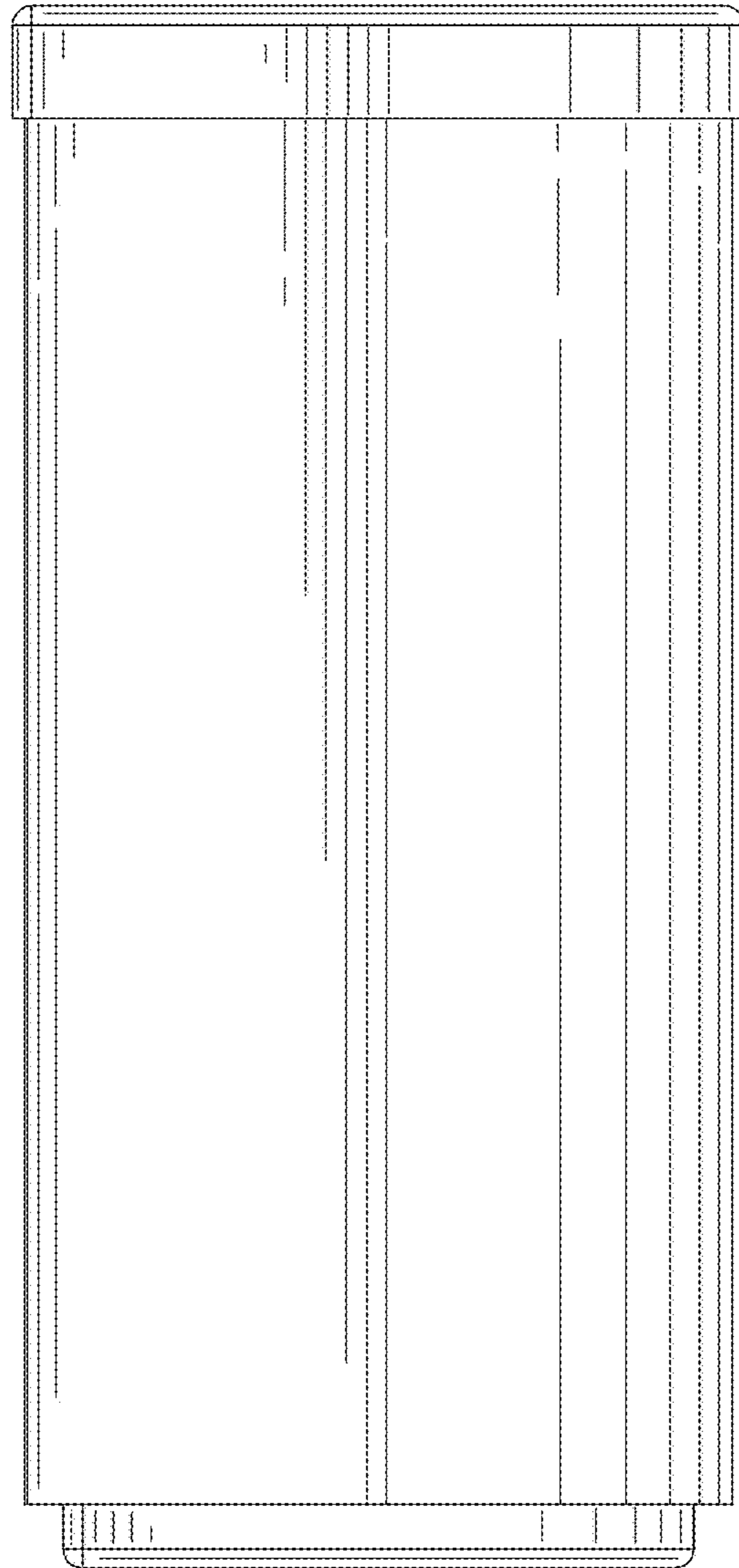


FIG. 4

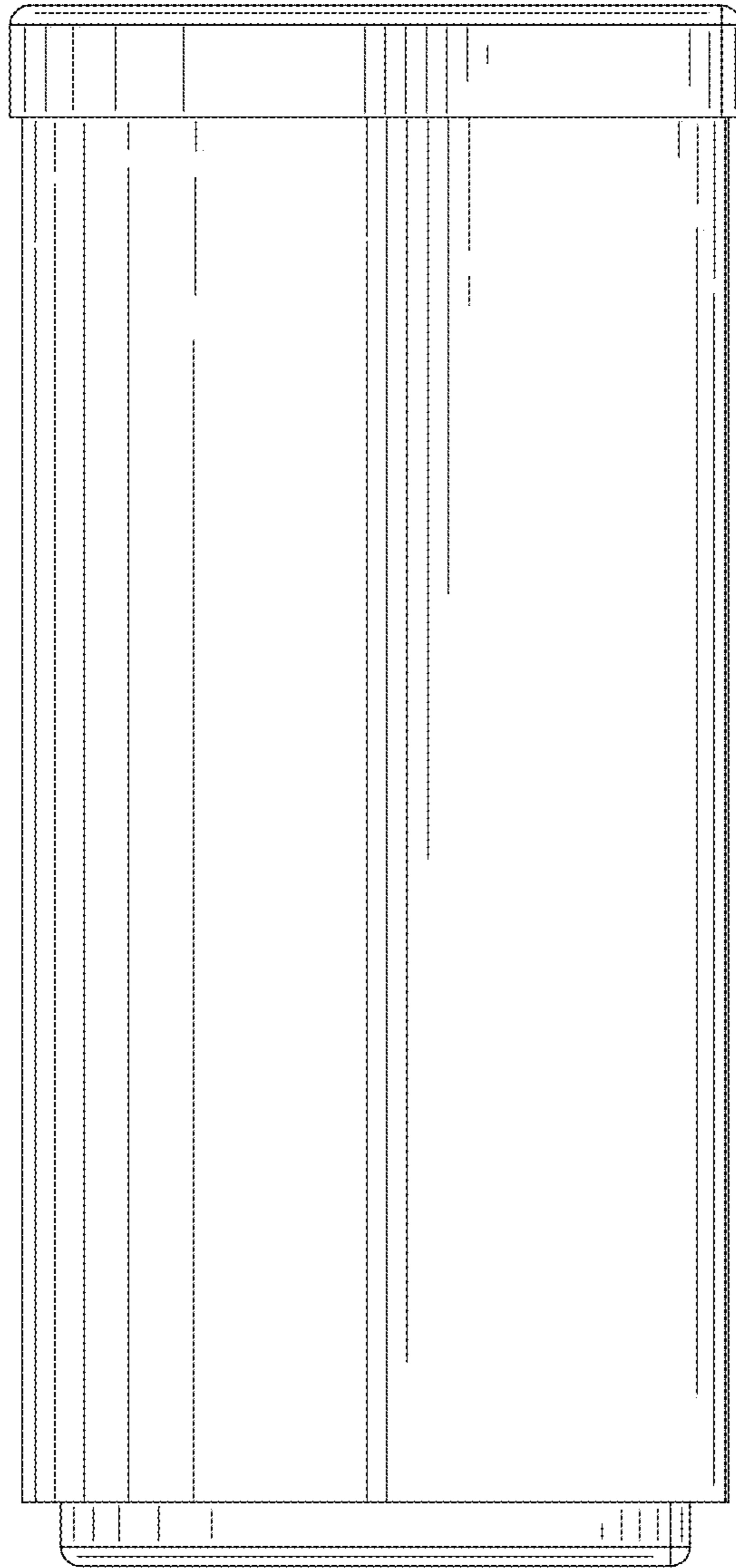


FIG. 5

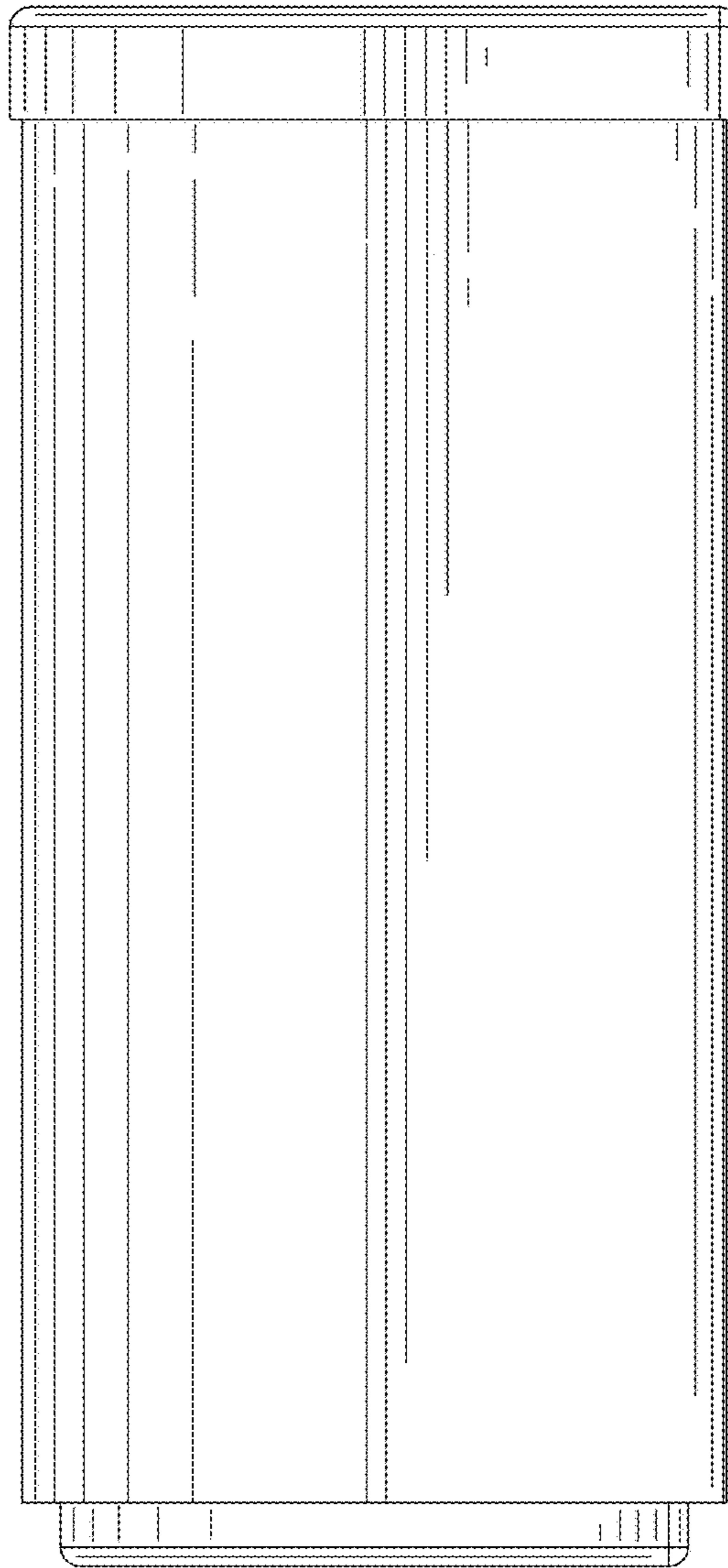


FIG. 6

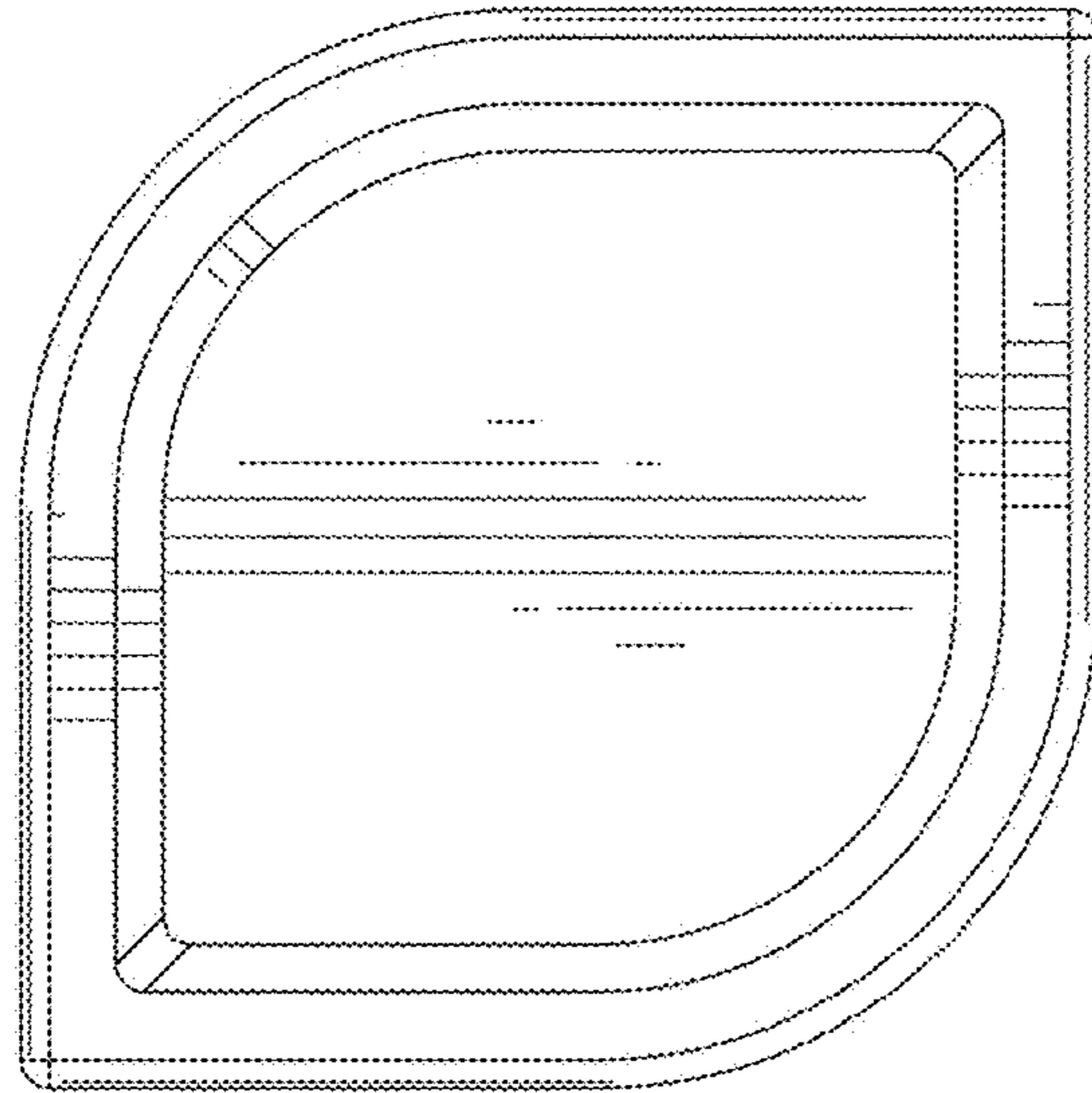


FIG. 7

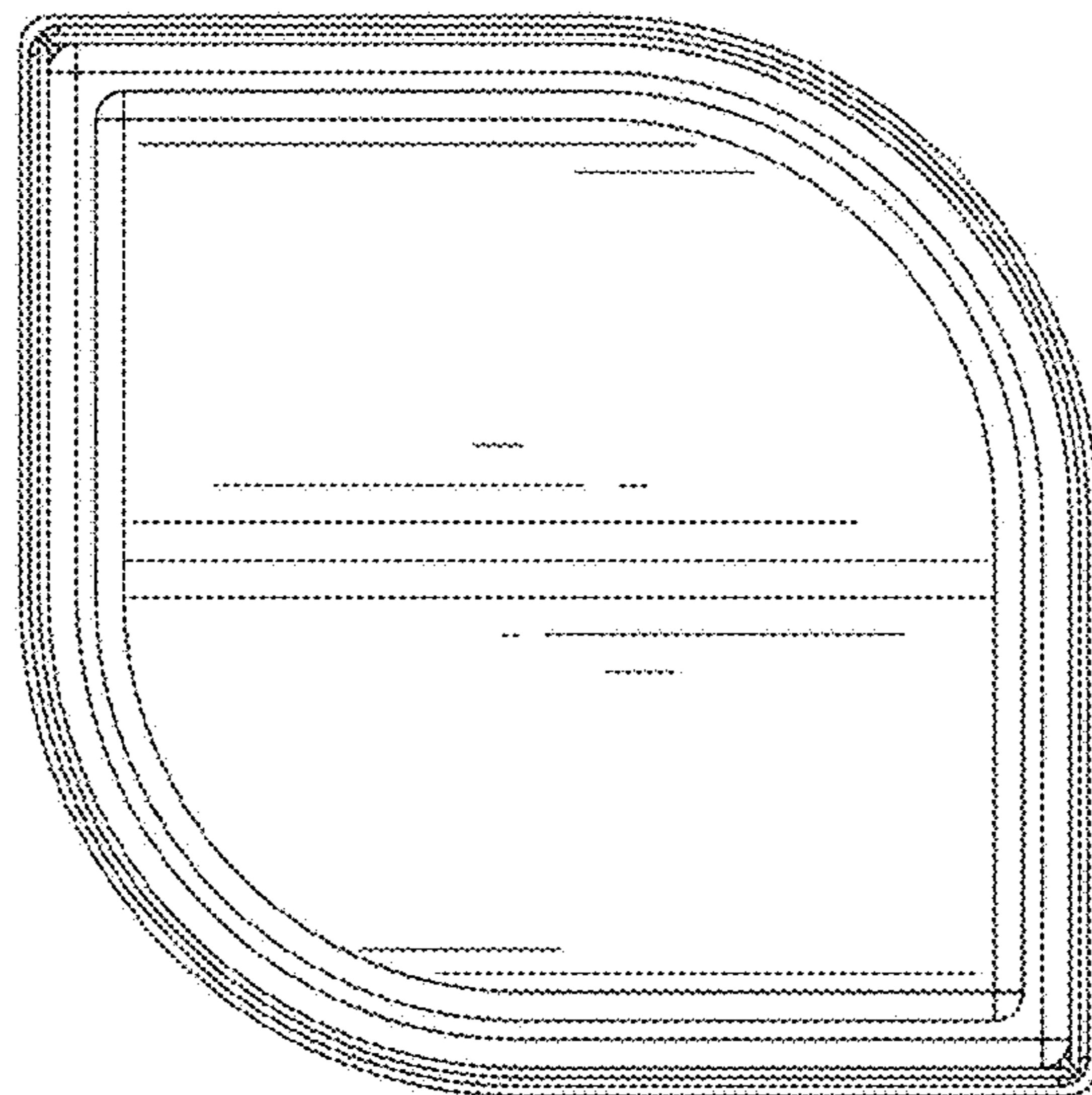


FIG. 8

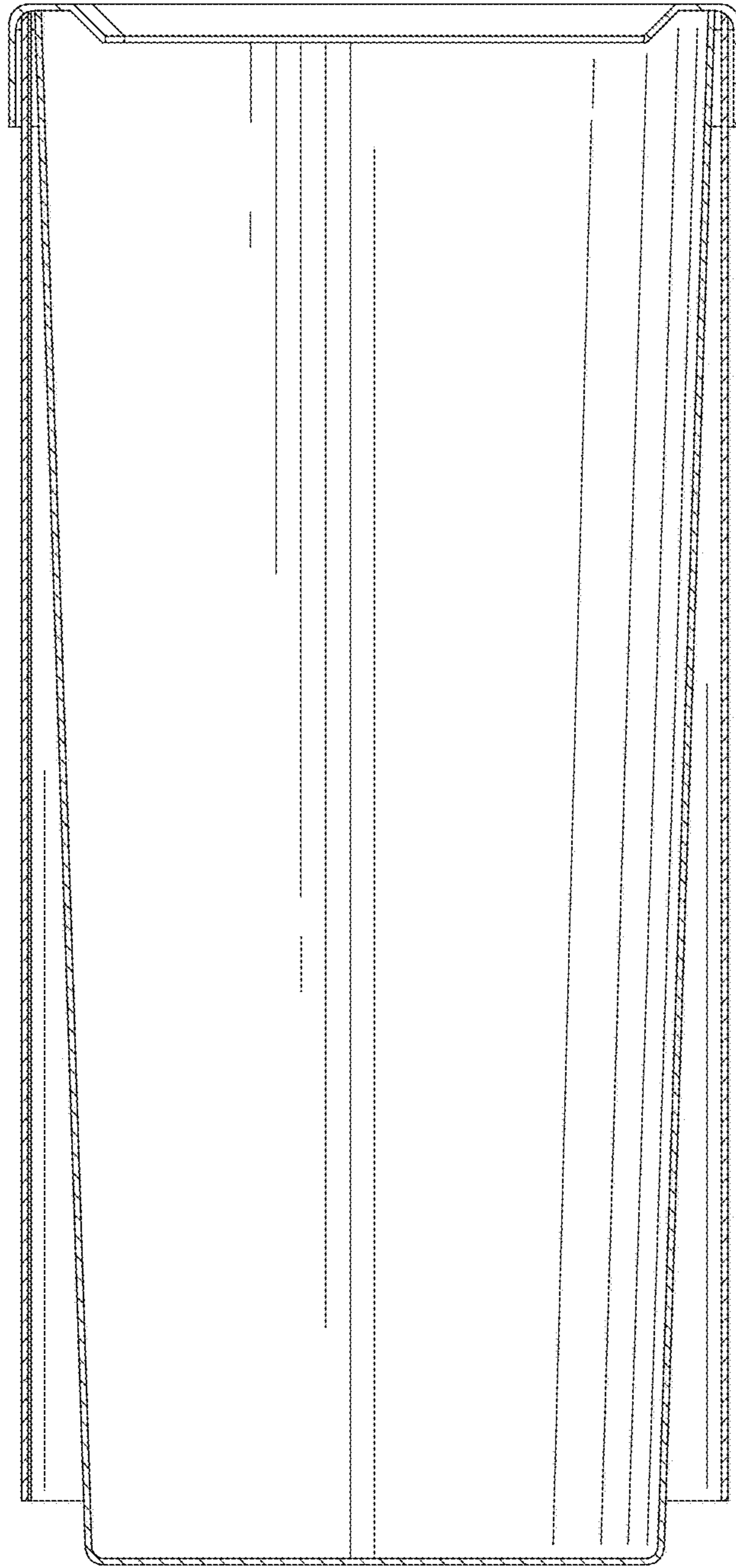


FIG. 9

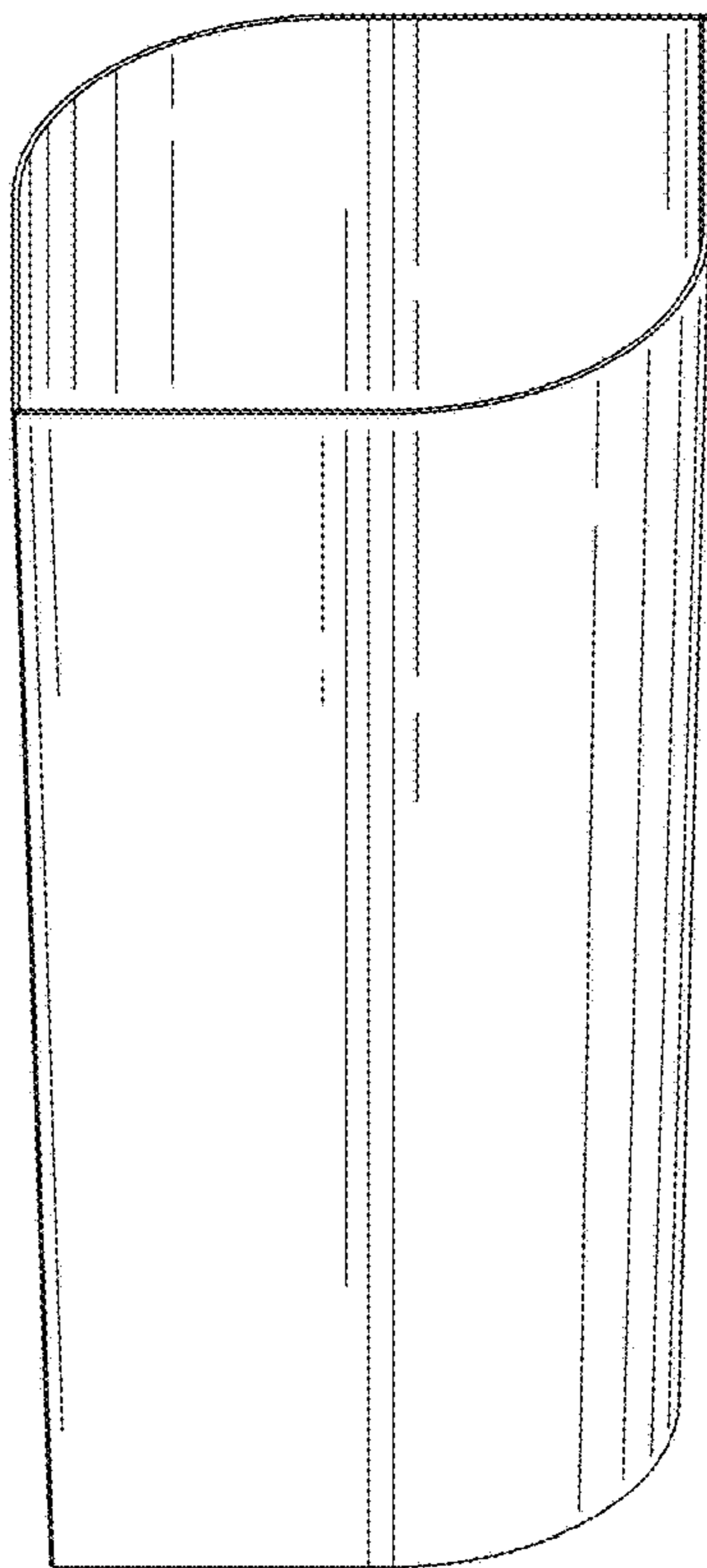
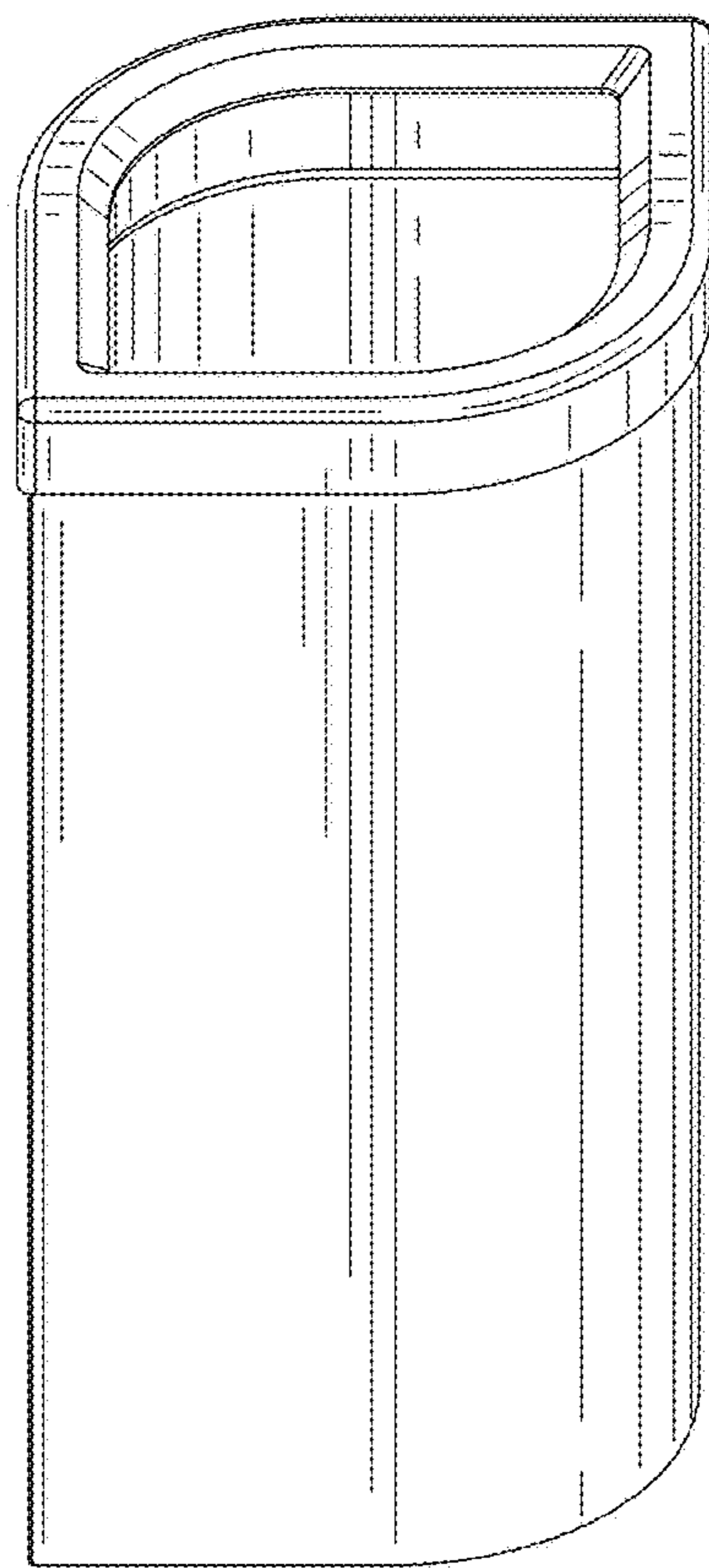


FIG. 10

UNITED STATES PATENT AND TRADEMARK OFFICE
CERTIFICATE OF CORRECTION

PATENT NO. : D841,274 S
APPLICATION NO. : 29/593115
DATED : February 19, 2019
INVENTOR(S) : Gary M. Richter

Page 1 of 2

It is certified that error appears in the above-identified patent and that said Letters Patent is hereby corrected as shown below:

On the Title Page

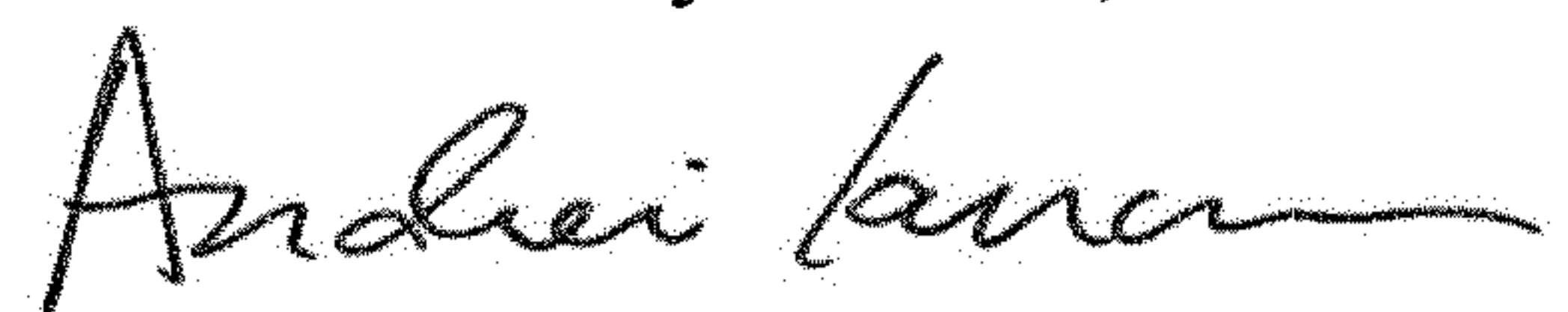
Item (72) Inventor, "MI" should read --WI--

In the Description, Line 14, the phrase "sectioned along the line shown in FIG. 9; and," should read --sectioned along the line shown in FIG. 3; and--

In the Drawings

Please replace Fig. 3 with Fig. 3 as shown on the attached page

Signed and Sealed this
Fourth Day of June, 2019



Andrei Iancu
Director of the United States Patent and Trademark Office

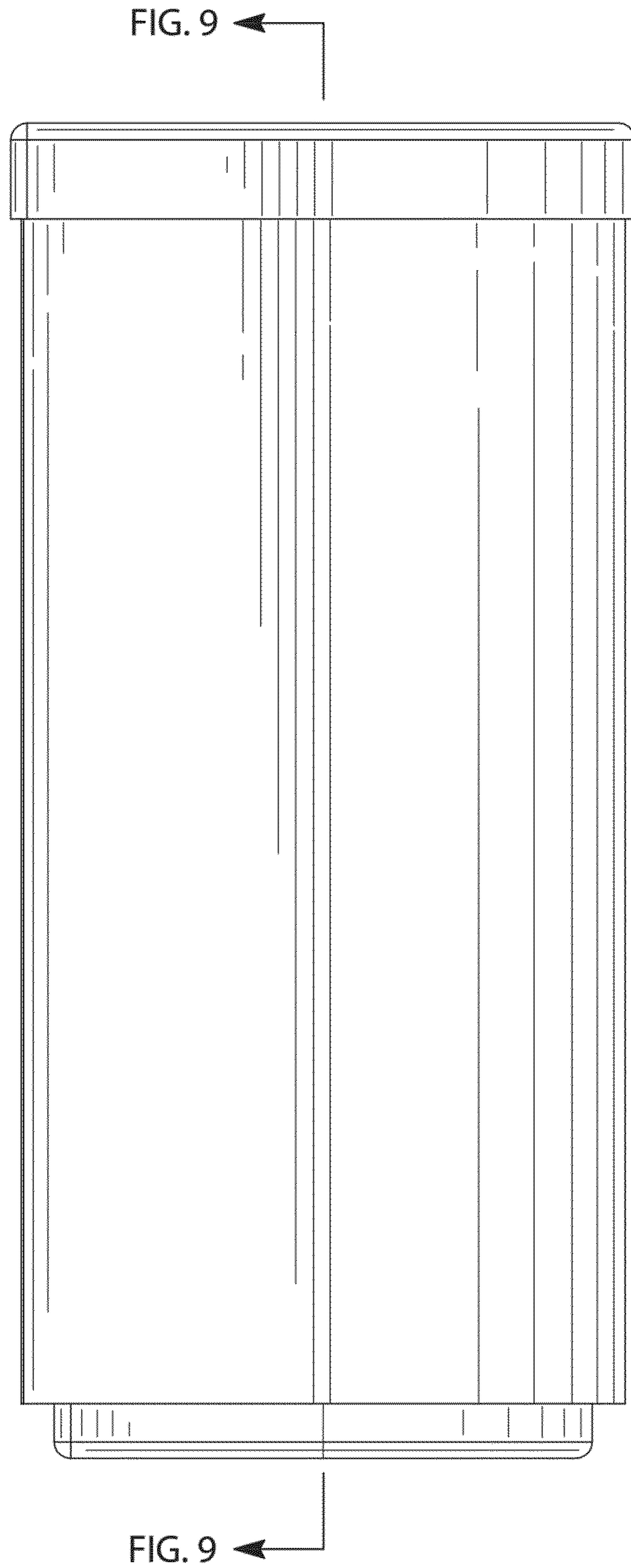


FIG. 3