



US00D841273S

(12) **United States Design Patent**
Baez

(10) **Patent No.:** **US D841,273 S**

(45) **Date of Patent:** **** Feb. 19, 2019**

(54) **MULTIPLE TRAY SUPPORT RAILING**

(71) Applicant: **CAMBRO MANUFACTURING COMPANY**, Huntington Beach, CA (US)

(72) Inventor: **Jorge Baez**, Lake Forest, CA (US)

(73) Assignee: **Cambro Manufacturing Company**, Huntington Beach, CA (US)

(**) Term: **15 Years**

(21) Appl. No.: **29/627,448**

(22) Filed: **Nov. 27, 2017**

(51) **LOC (11) Cl.** **07-05**

(52) **U.S. Cl.**
USPC **D32/56**

(58) **Field of Classification Search**
USPC D32/55, 276, 3; D6/510, 525; D30/133; 211/41.5, 41.4, 41.3, 41.8; 361/679.4; 312/311, 333, 334.4; D7/354, 629
CPC A47J 47/20; A47J 2201/00; A47J 47/00; B65D 35/02; B65D 35/22; B65D 35/56
See application file for complete search history.

(56) **References Cited**

U.S. PATENT DOCUMENTS

D178,489 S * 8/1956 Bliss D32/56
D194,862 S * 3/1963 Kraines et al. D32/56

D274,568 S * 7/1984 Carrothers D32/56
4,589,150 A * 5/1986 Sciabarassi A47L 19/02
108/24
D344,828 S * 3/1994 Adams D32/56
D347,717 S * 6/1994 Chapin D32/55
D518,143 S * 3/2006 Weidler D23/209
D652,598 S * 1/2012 Joseph D32/56
D693,082 S * 11/2013 Evans D32/56
D739,989 S * 9/2015 Baez D32/56
D755,459 S * 5/2016 Erby D32/56
D755,460 S * 5/2016 Baez D32/56
D761,513 S * 7/2016 Traub D32/56
D776,387 S * 1/2017 Chen D32/56

* cited by examiner

Primary Examiner — Austin Murphy

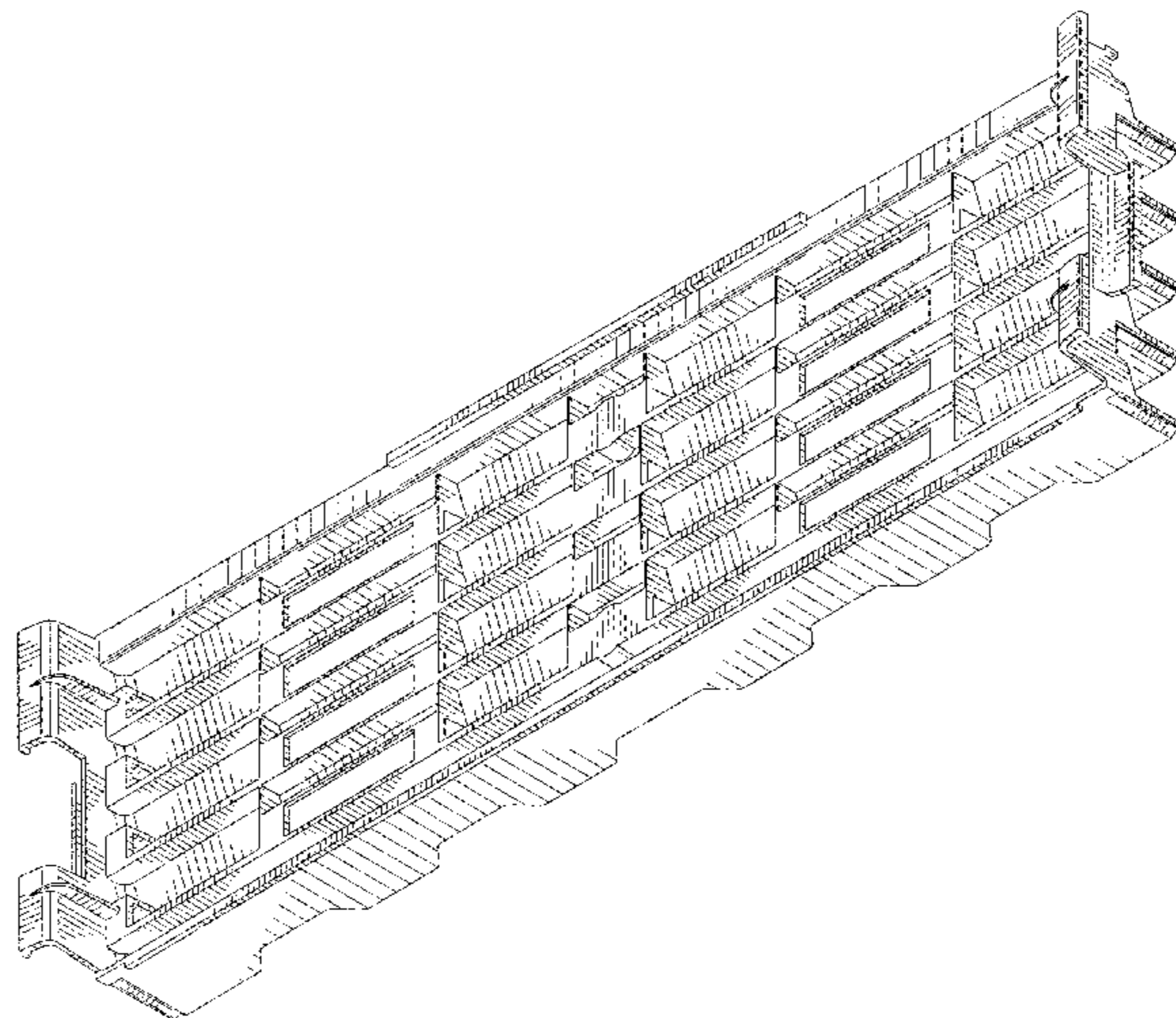
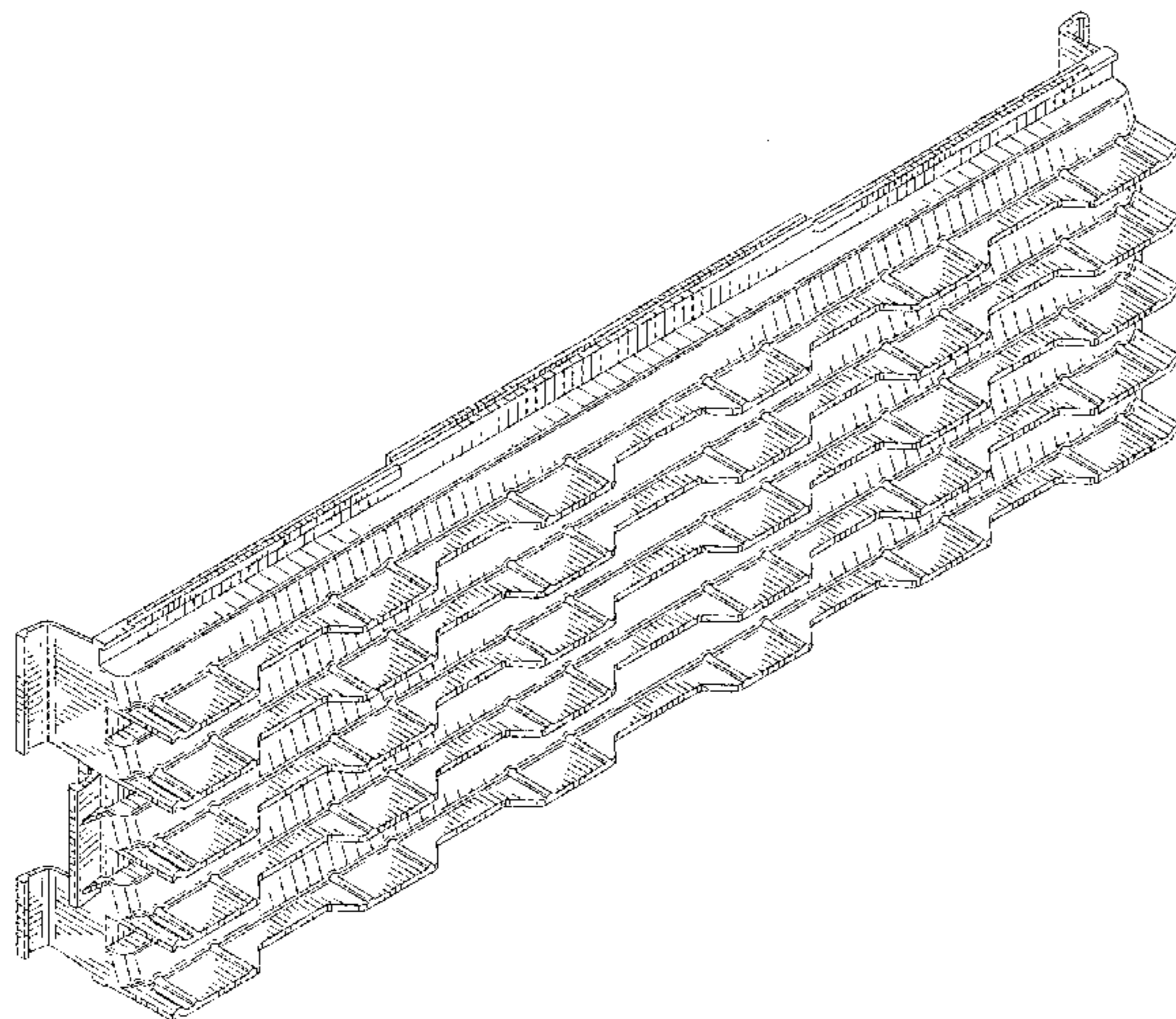
(57) **CLAIM**

I claim the ornamental design for a multiple tray support railing, as shown and described.

DESCRIPTION

FIG. 1 is a front perspective view of the multiple tray support railing.
FIG. 2 is a front elevation thereof.
FIG. 3 is a top plan thereof.
FIG. 4 is a left side elevation view thereof.
FIG. 5 is a right side elevation view thereof.
FIG. 6 is a rear elevation view thereof.
FIG. 7 is a bottom plan view thereof; and,
FIG. 8 is a bottom rear perspective view thereof.

1 Claim, 5 Drawing Sheets



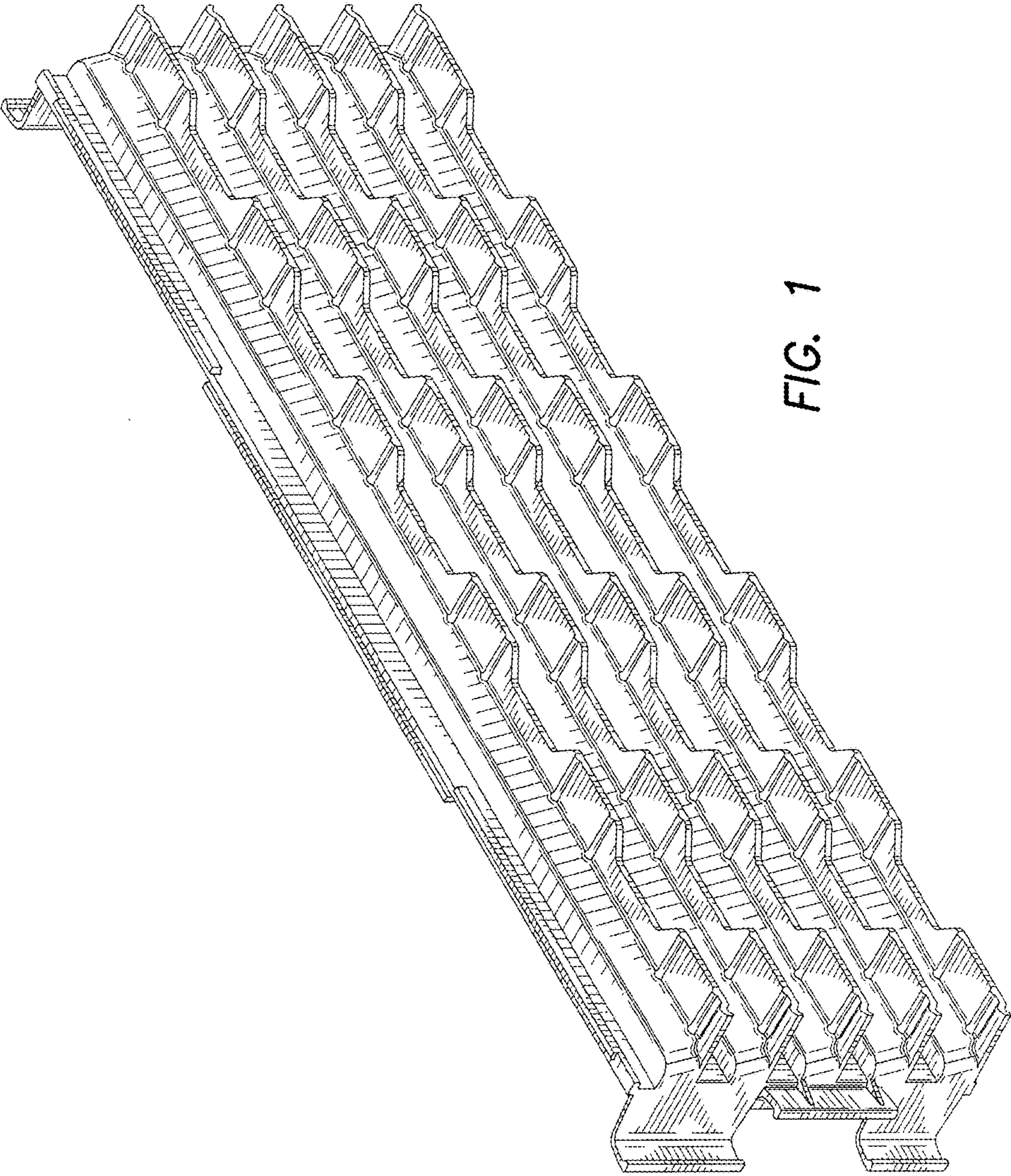


FIG. 1

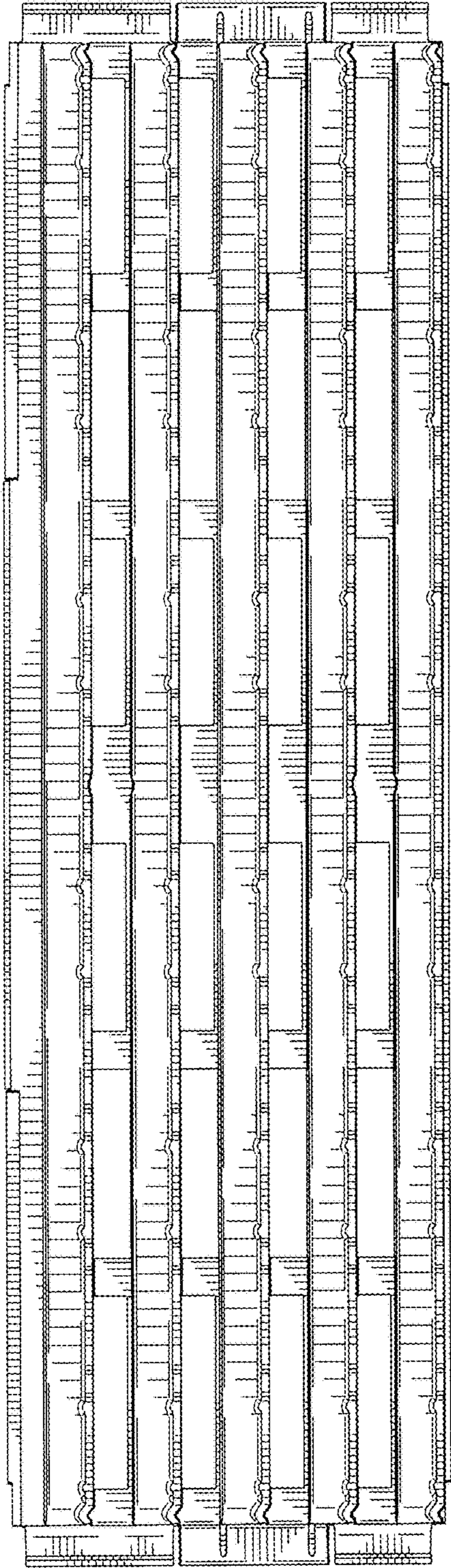


FIG. 2

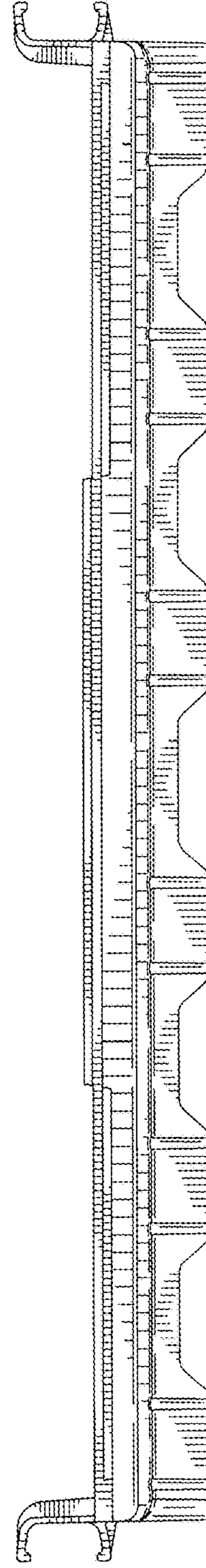


FIG. 3

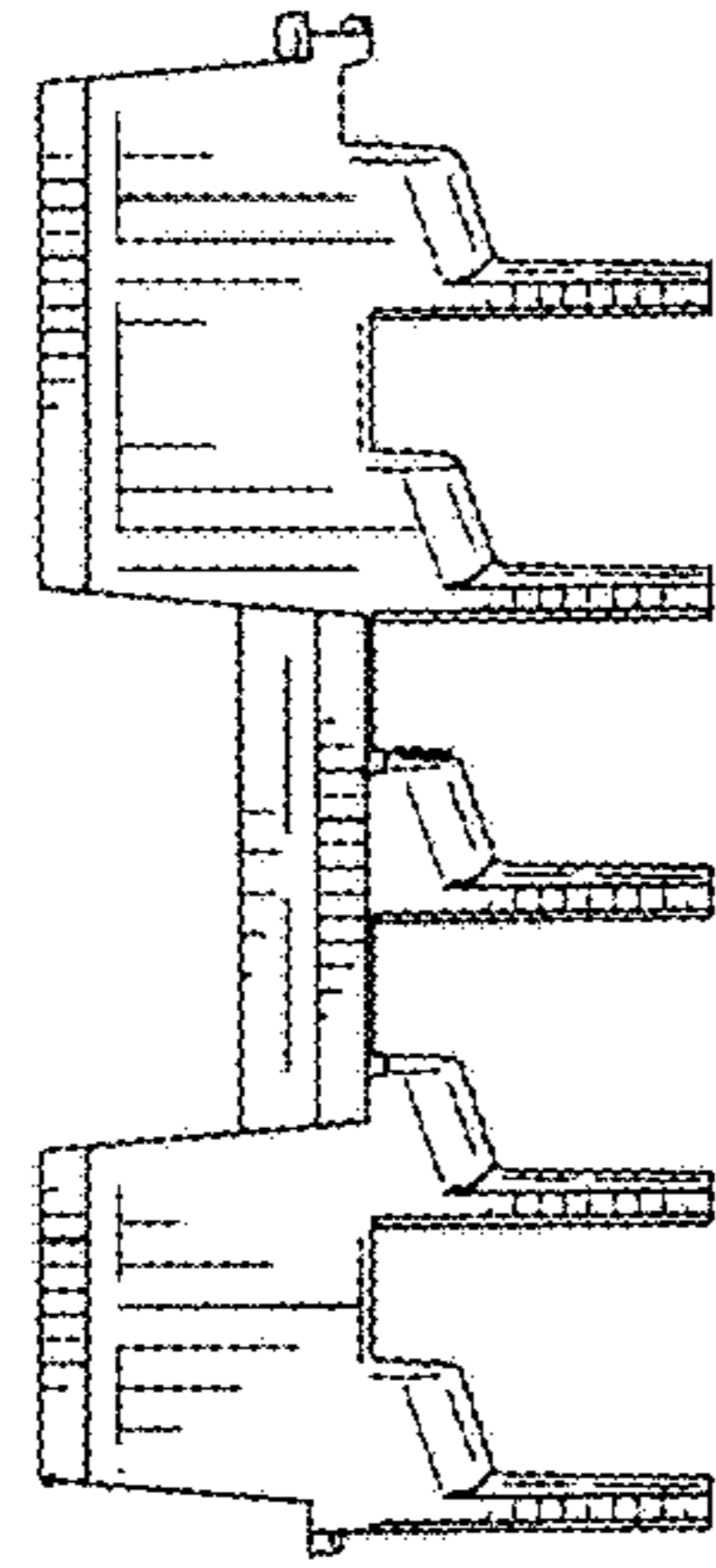


FIG. 4

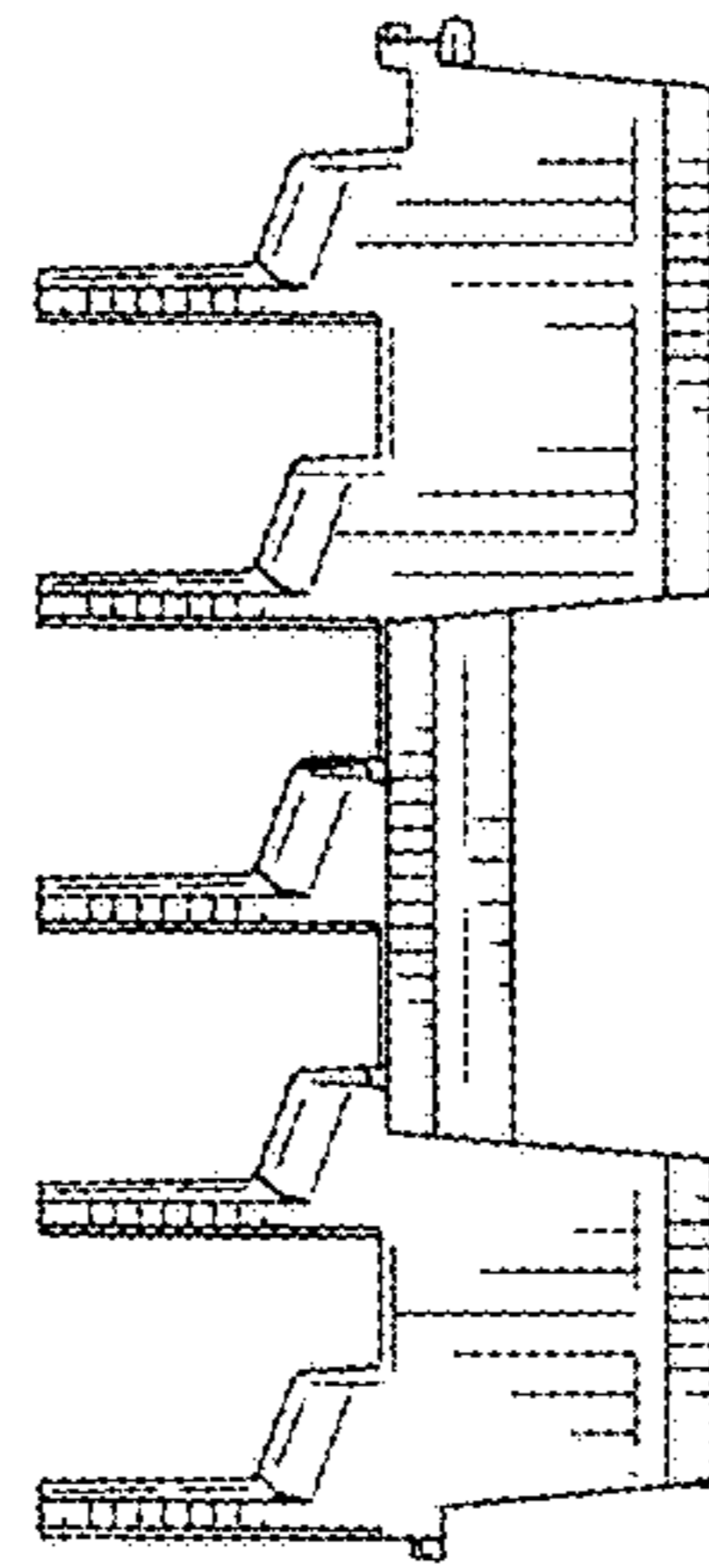


FIG. 5

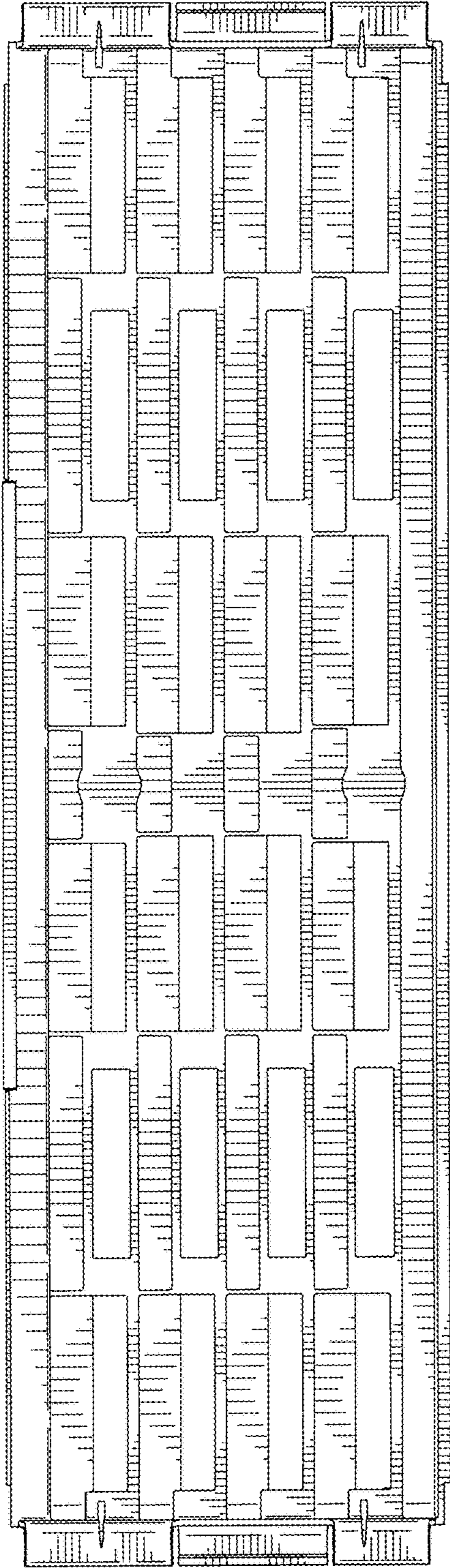


FIG. 6

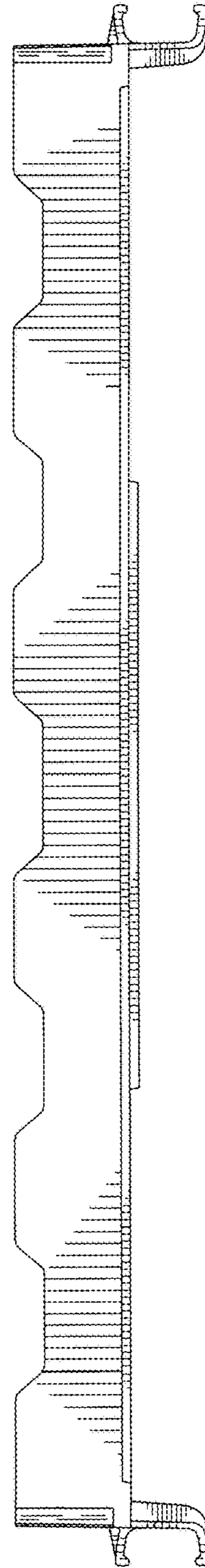


FIG. 7

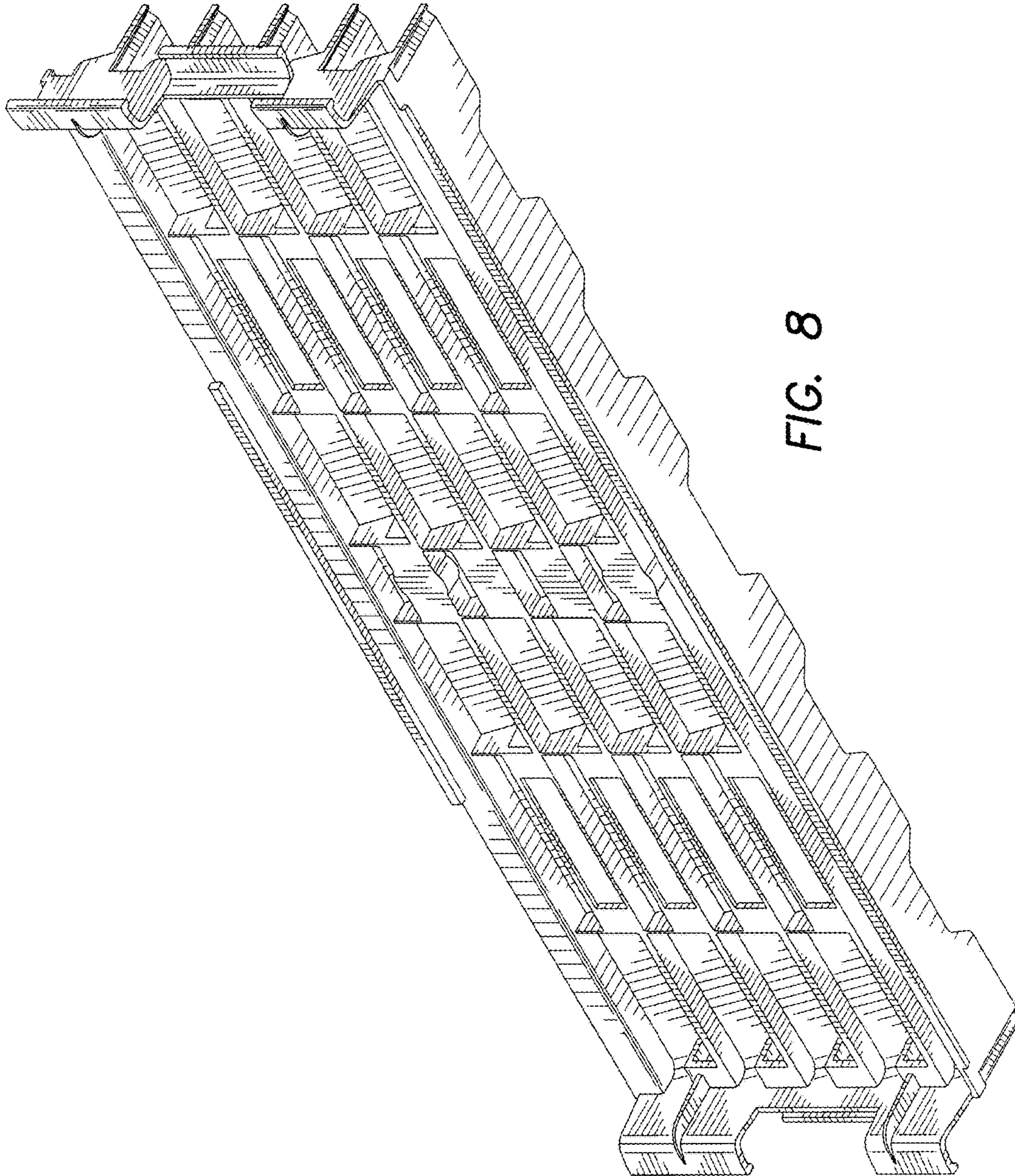


FIG. 8