



US00D841270S

(12) **United States Design Patent** (10) **Patent No.:** **US D841,270 S**  
**Reaux** (45) **Date of Patent:** **\*\* Feb. 19, 2019**

(54) **HANDLE FOR A SPONGE**  
(71) Applicant: **Brian K. Reaux**, Red Oak, TX (US)  
(72) Inventor: **Brian K. Reaux**, Red Oak, TX (US)  
(73) Assignee: **Brian K. Reaux**, Red Oak, TX (US)

(\*\*) Term: **15 Years**  
(21) Appl. No.: **29/620,305**

(22) Filed: **Sep. 29, 2016**  
(51) **LOC (11) Cl.** ..... **07-05**  
(52) **U.S. Cl.**  
USPC ..... **D32/40**  
(58) **Field of Classification Search**  
USPC ..... D32/40, 42-43; D6/524, 551; D4/116,  
D4/121; D11/143-146, 149, 151  
CPC ..... A46B 15/00; A46B 11/02; A46B 11/06;  
A46B 13/04; A47K 11/10; A47K 7/03;  
A61B 19/00; A61B 10/00; A47L 13/16;  
A61F 13/02  
See application file for complete search history.

8,910,343 B2 \* 12/2014 Huber ..... A47L 11/4086  
15/320  
8,925,140 B1 \* 1/2015 Troiani ..... A47K 7/028  
15/210.1  
D752,873 S \* 4/2016 Deluca ..... D4/116  
(Continued)

FOREIGN PATENT DOCUMENTS

CN 303176741 \* 4/2015  
GB 4041062 \* 6/2015

OTHER PUBLICATIONS

Amazon.com: Scrub EZ Handle, earliest review Jul. 18, 2016,  
[https://www.amazon.com/Scrub-EZ-Handle-Sponge-Handles/dp/B01HM7TDE2/ref=cm\\_c...](https://www.amazon.com/Scrub-EZ-Handle-Sponge-Handles/dp/B01HM7TDE2/ref=cm_c...) site visited Apr. 16, 2018.\*  
(Continued)

*Primary Examiner* — John Windmuller  
*Assistant Examiner* — John R Yeh

(57) **CLAIM**

The ornamental design for a handle for a sponge, as shown and described.

(56) **References Cited**

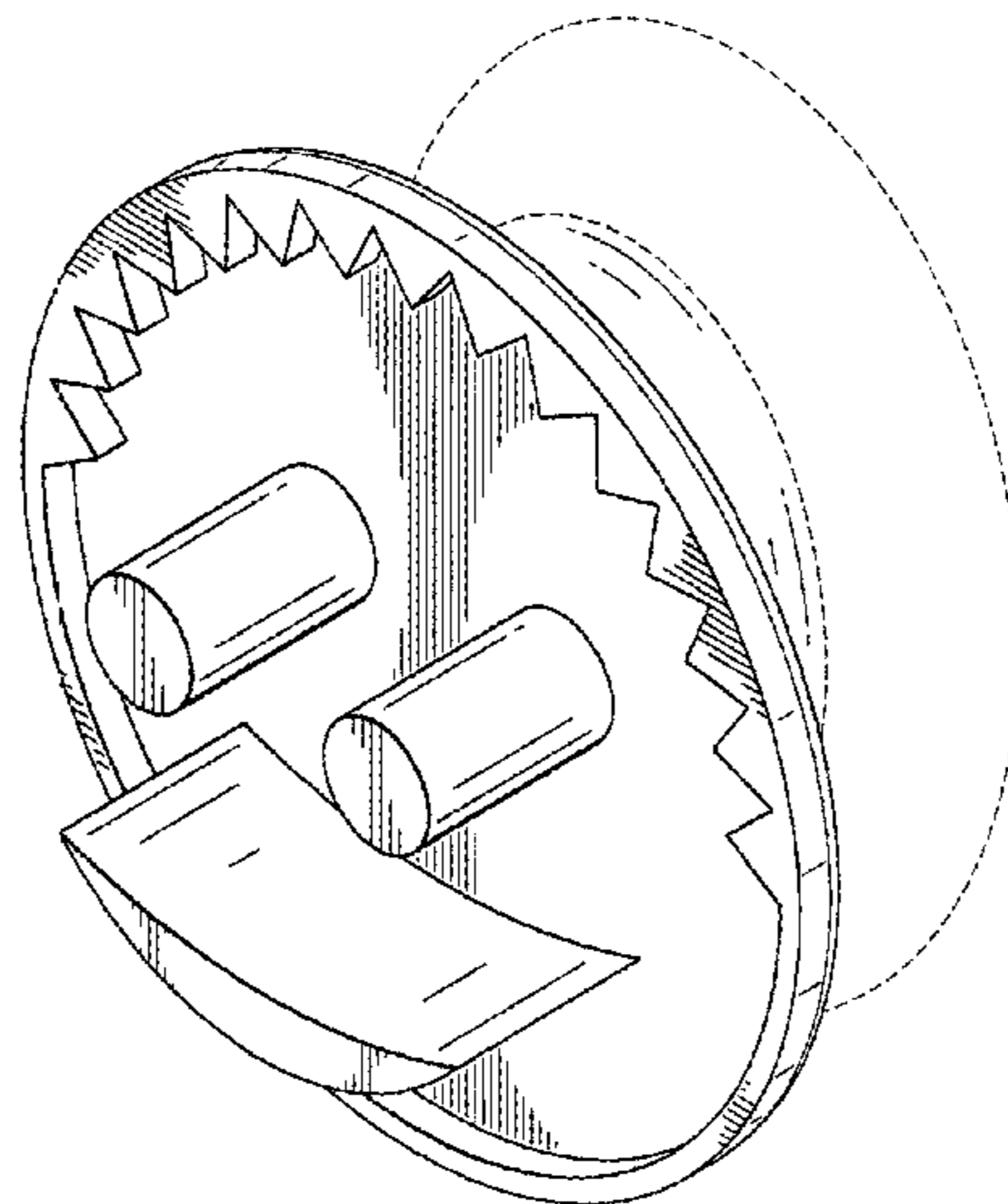
U.S. PATENT DOCUMENTS

580,270 A \* 4/1897 Glover ..... A46B 15/00  
132/102  
2,030,911 A \* 2/1936 Borden ..... A47L 1/08  
15/244.1  
D179,989 S \* 4/1957 Virneburg ..... D28/63  
D184,234 S \* 1/1959 Maccio ..... D32/43  
D332,841 S \* 1/1993 Levison ..... D28/63  
D351,696 S \* 10/1994 Adolf ..... D28/63  
D405,927 S \* 2/1999 Mallios ..... D28/63  
D425,309 S \* 5/2000 Granito ..... D4/121  
D437,095 S \* 1/2001 Osiecki ..... D32/40  
D439,053 S \* 3/2001 Hay ..... D4/114  
6,925,675 B1 \* 8/2005 Trunecek ..... A47L 1/16  
15/236.01  
D571,515 S \* 6/2008 Krause ..... D32/40  
D621,663 S \* 8/2010 Cantwell ..... D7/505

**DESCRIPTION**

FIG. 1 is a left, front perspective view of my design for a handle for a sponge;  
FIG. 2 is a front elevation view thereof;  
FIG. 3 is a rear elevation view thereof;  
FIG. 4 is a left side view thereof;  
FIG. 5 is a right side view thereof;  
FIG. 6 is a top plan view thereof;  
FIG. 7 is a bottom plan view thereof; and,  
FIG. 8 is a perspective view of the handle for a sponge with environment.  
The broken lines in the figures represent portions of the handle for a sponge as well as environment of the handle that form no part of the claimed design.

**1 Claim, 6 Drawing Sheets**



(56)

**References Cited**

U.S. PATENT DOCUMENTS

D765,989 S \* 9/2016 Garcia Mahiques ..... D4/116  
D776,890 S \* 1/2017 Reaux ..... D32/40  
D777,392 S \* 1/2017 Reaux ..... D32/40  
D801,081 S \* 10/2017 Krause ..... D6/553  
D812,930 S \* 3/2018 Krause ..... D6/553  
2005/0257493 A1\* 11/2005 Poma ..... A46B 15/00  
52/749.1  
2006/0229229 A1\* 10/2006 Bednarz ..... A47L 13/16  
510/438  
2014/0075699 A1\* 3/2014 Krause ..... A47K 7/02  
15/209.1

OTHER PUBLICATIONS

U.S. Appl. No. 29/505,695.  
U.S. Appl. No. 29/620,129.  
ScrubDaddy.com  
Scrub'N EZ Amazon.com.

\* cited by examiner

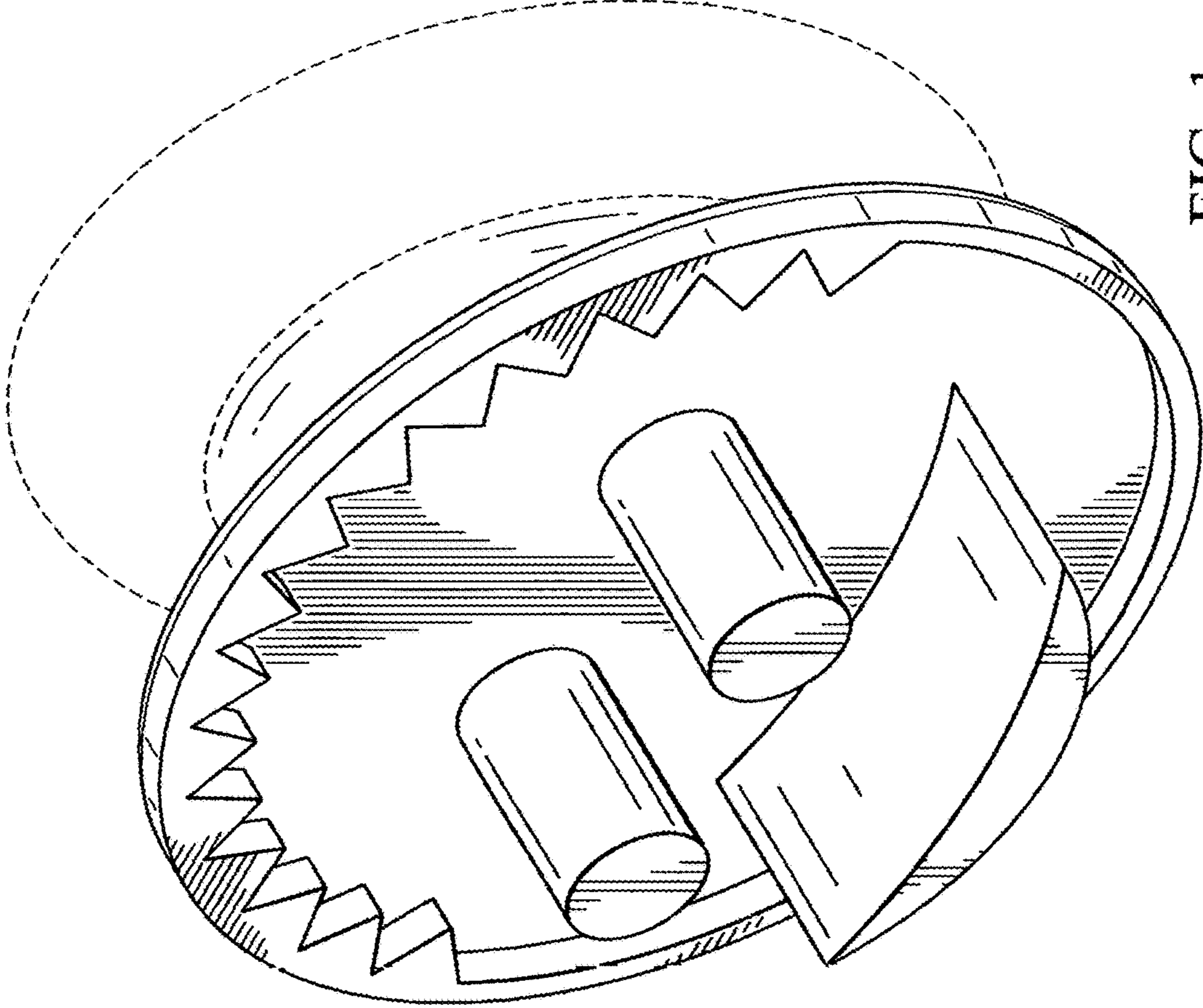


FIG. 1

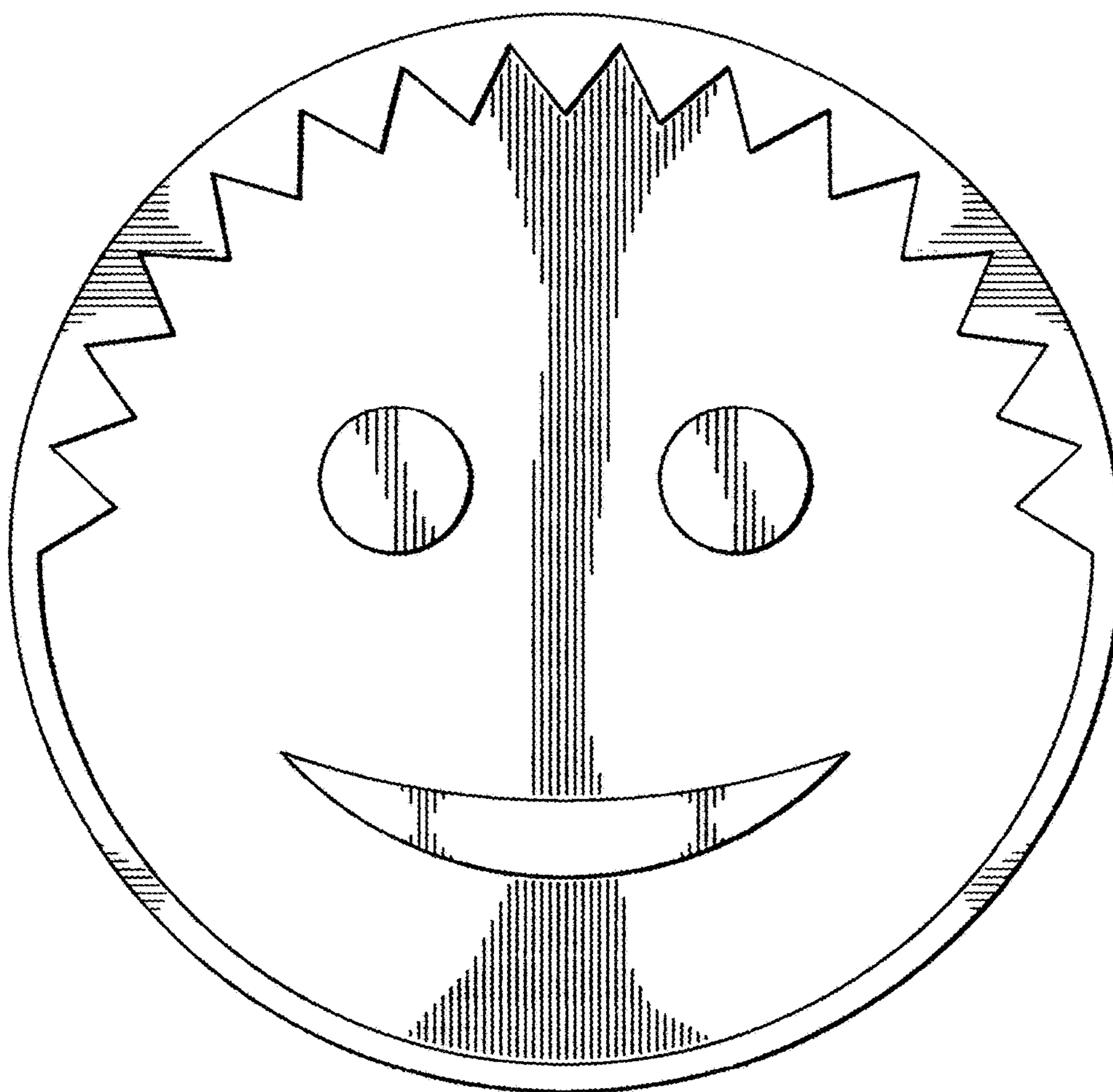


FIG. 2

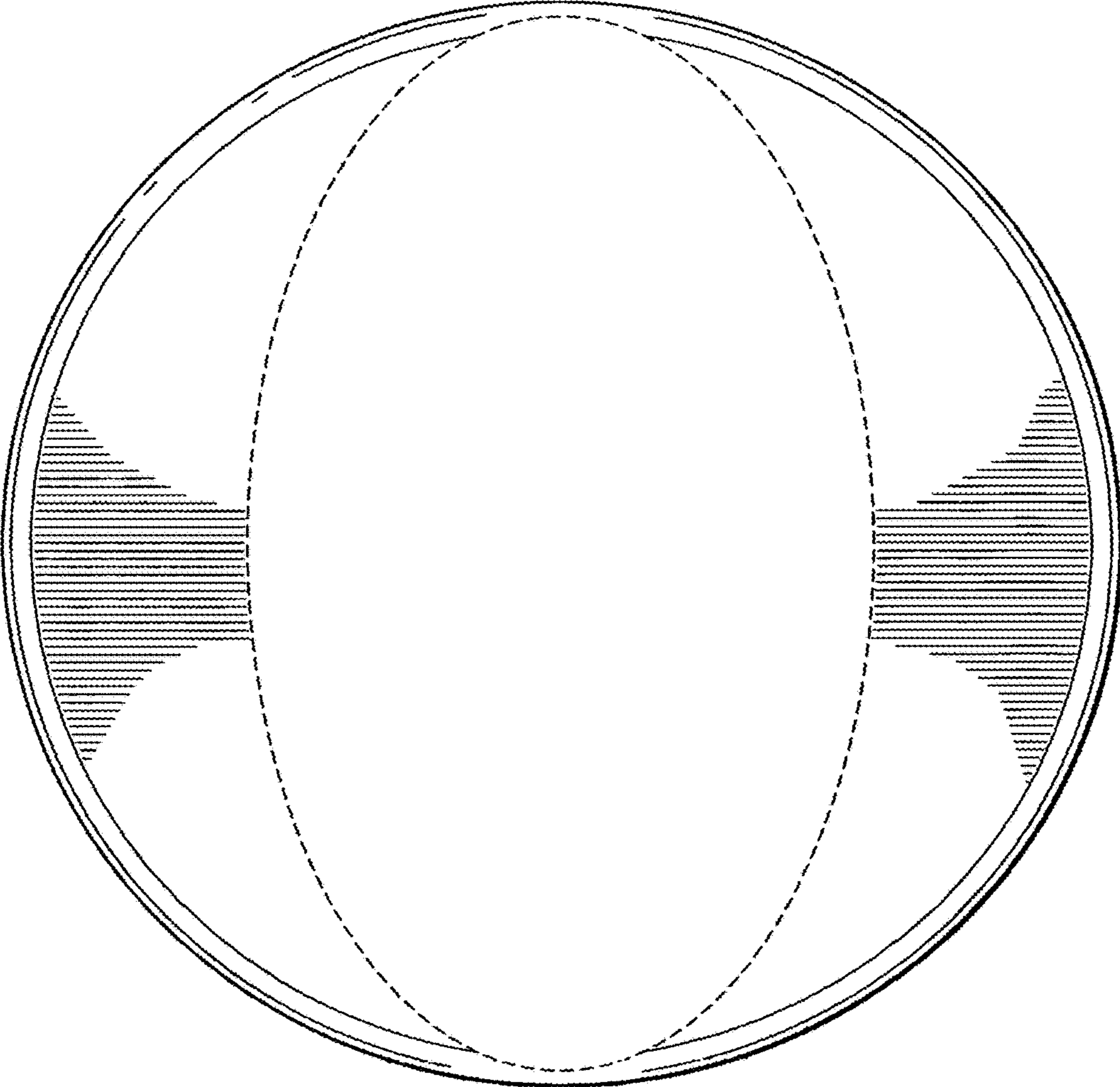


FIG. 3

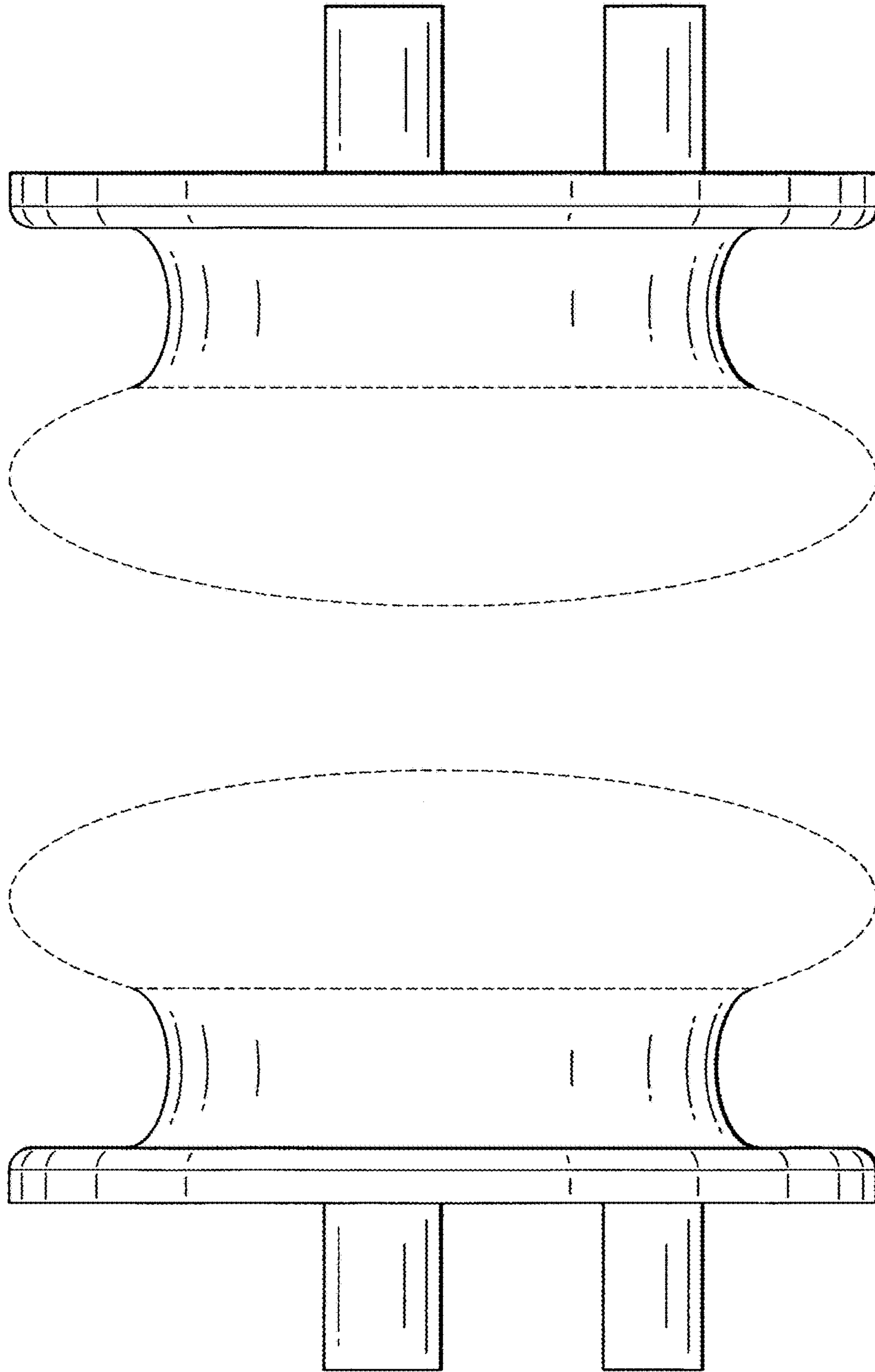


FIG. 5

FIG. 4

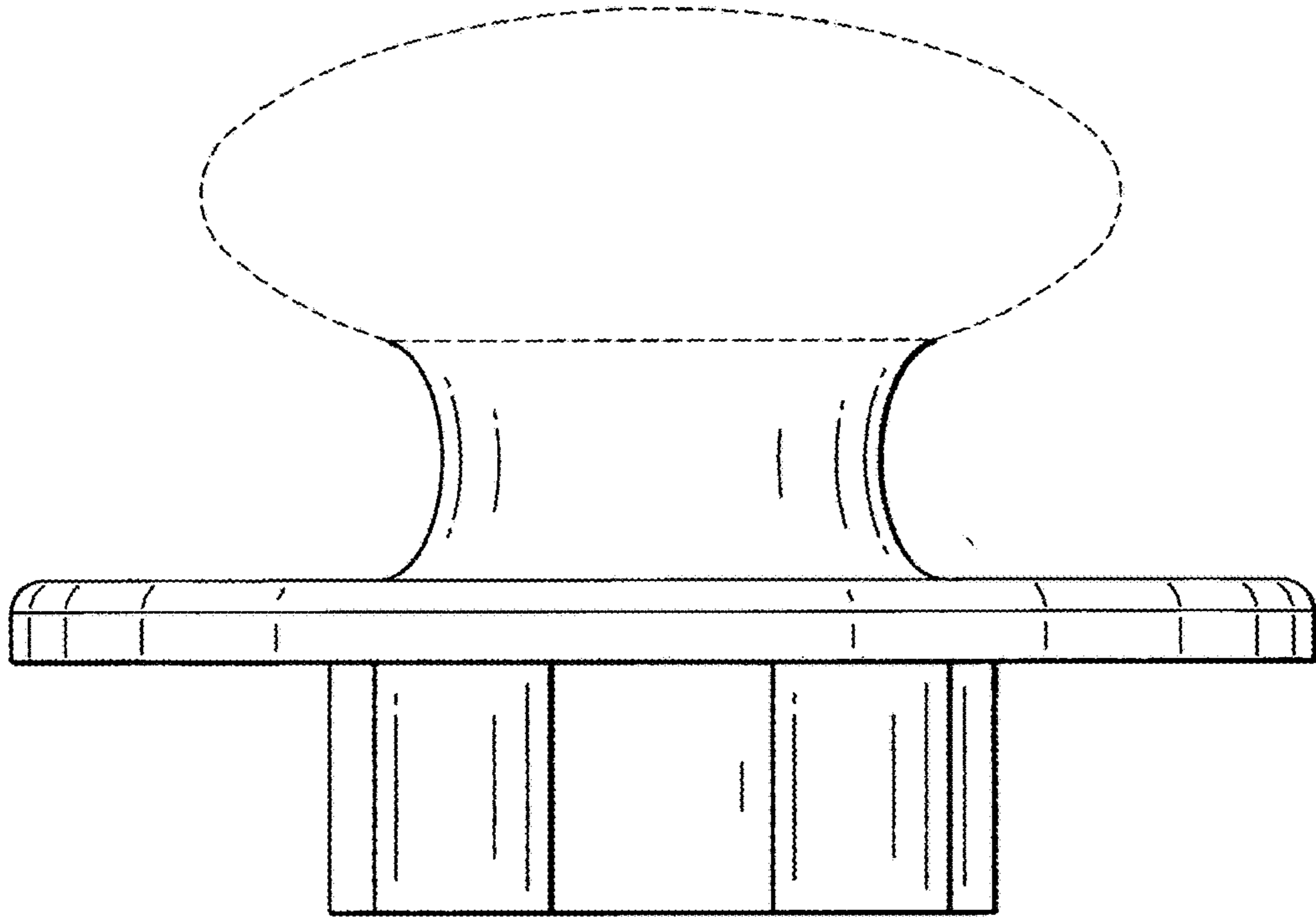


FIG. 6

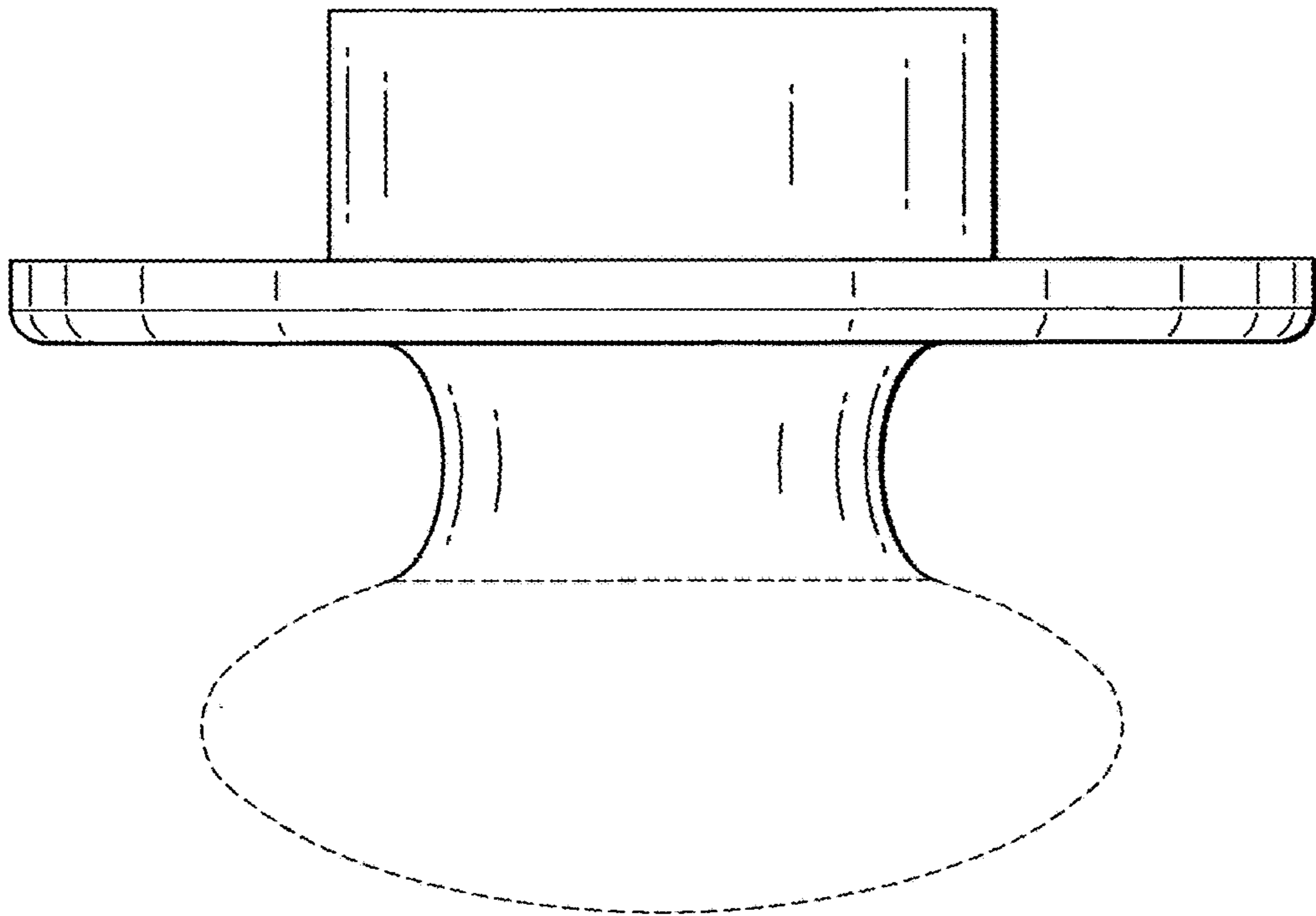


FIG. 7

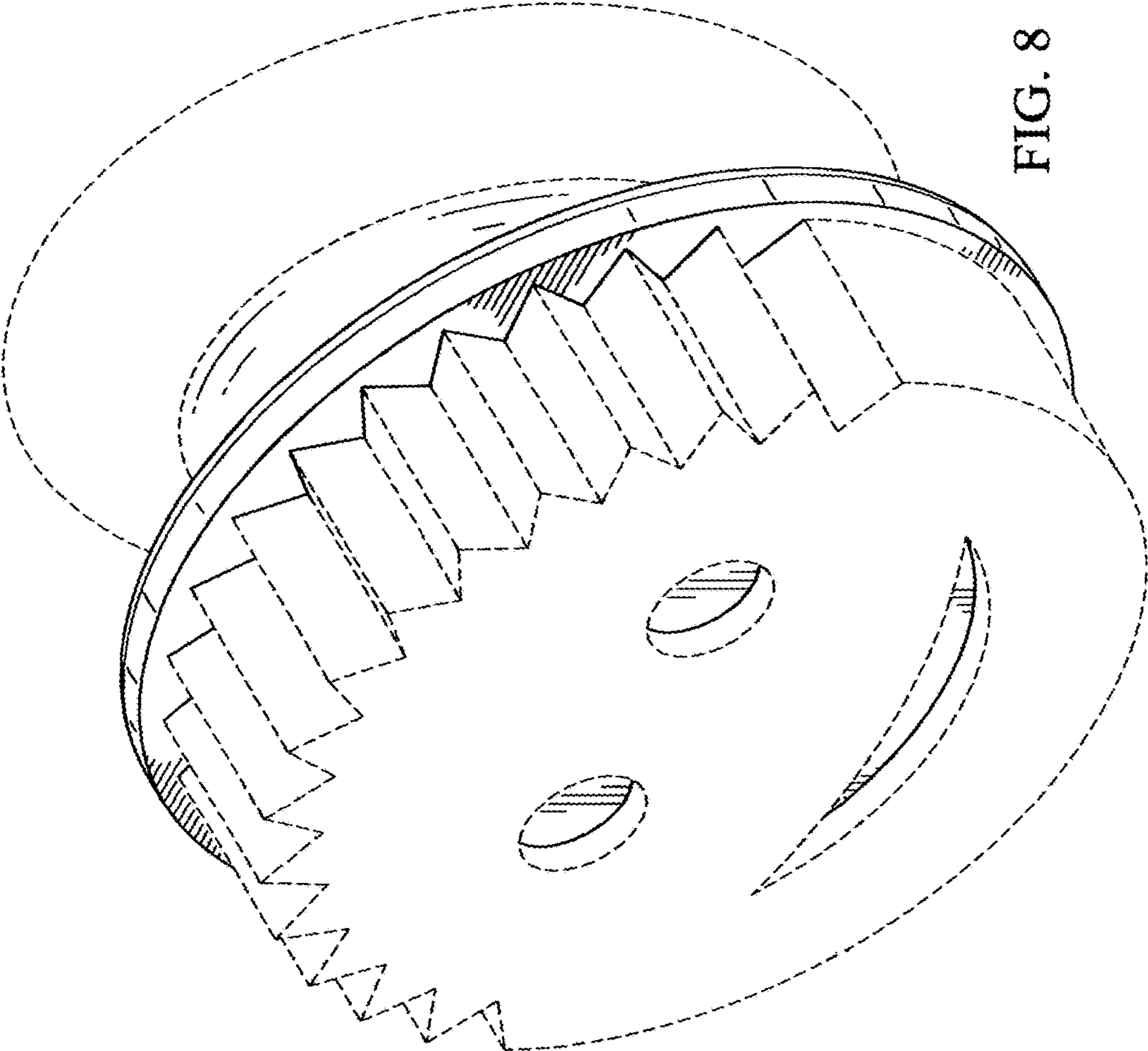


FIG. 8