



US00D841269S

(12) **United States Design Patent** (10) **Patent No.:** **US D841,269 S**
Bugni et al. (45) **Date of Patent:** **** Feb. 19, 2019**

- (54) **DRAIN TOOL** 6,393,625 B1 * 5/2002 Tsai E03C 1/308
 4/255.02
- (71) Applicant: **Dynadrain LLC**, Cle Elum, WA (US) 6,892,401 B1 * 5/2005 Mangum E03C 1/308
 4/255.04
- (72) Inventors: **Charles Dominic Bugni**, Cle Elum, WA (US); **Peter Anthony Bugni**, Ellensburg, WA (US); **John Augustine Bugni**, Ellensburg, WA (US) D549,536 S * 8/2007 Schoolcraft D32/35
 D591,099 S * 4/2009 Bruce D7/301
 7,678,168 B2 * 3/2010 Connelly F16L 55/035
 180/309
 D699,533 S * 2/2014 Best D8/45
 8,910,472 B2 * 12/2014 Takahashi F01N 13/14
 180/291
 D748,027 S * 1/2016 Hunter D12/194
 9,708,804 B2 * 7/2017 Palmer, II E03C 1/306
 2012/0042637 A1 * 2/2012 Roozenboom F01N 3/035
 60/297
- (73) Assignee: **Dynadrain LLC**, Cle Elum, WA (US) 2015/0247309 A1 * 9/2015 Bugni E03C 1/308
 4/255.02
- (**) Term: **15 Years**
- (21) Appl. No.: **29/585,022**
- (22) Filed: **Nov. 18, 2016**
- (51) **LOC (11) Cl.** **15-05**
- (52) **U.S. Cl.**
 USPC **D32/35**
- (58) **Field of Classification Search**
 USPC D32/14, 35; D12/194; D8/14
 CPC B08B 9/045; E03F 9/005; E03C 1/308;
 E03C 1/30; A47K 11/10; E03D 9/00
 See application file for complete search history.

* cited by examiner

Primary Examiner — Philip S Hyder
(74) *Attorney, Agent, or Firm* — Grandview Law PLLC

(57) **CLAIM**

The ornamental design for a drain tool, as shown and described.

DESCRIPTION

FIG. 1 is a top perspective view of a drain tool showing our new design.
FIG. 2 is a bottom perspective view thereof.
FIG. 3 is a top plan view thereof.
FIG. 4 is a bottom plan view thereof.
FIG. 5 is a front elevation view thereof.
FIG. 6 is a rear elevational view thereof.
FIG. 7 is a left elevational view thereof; and,
FIG. 8 is a right elevational view thereof.

1 Claim, 2 Drawing Sheets

(56) **References Cited**

U.S. PATENT DOCUMENTS

4,445,236 A * 5/1984 Nadolny E03C 1/308
 4/255.01

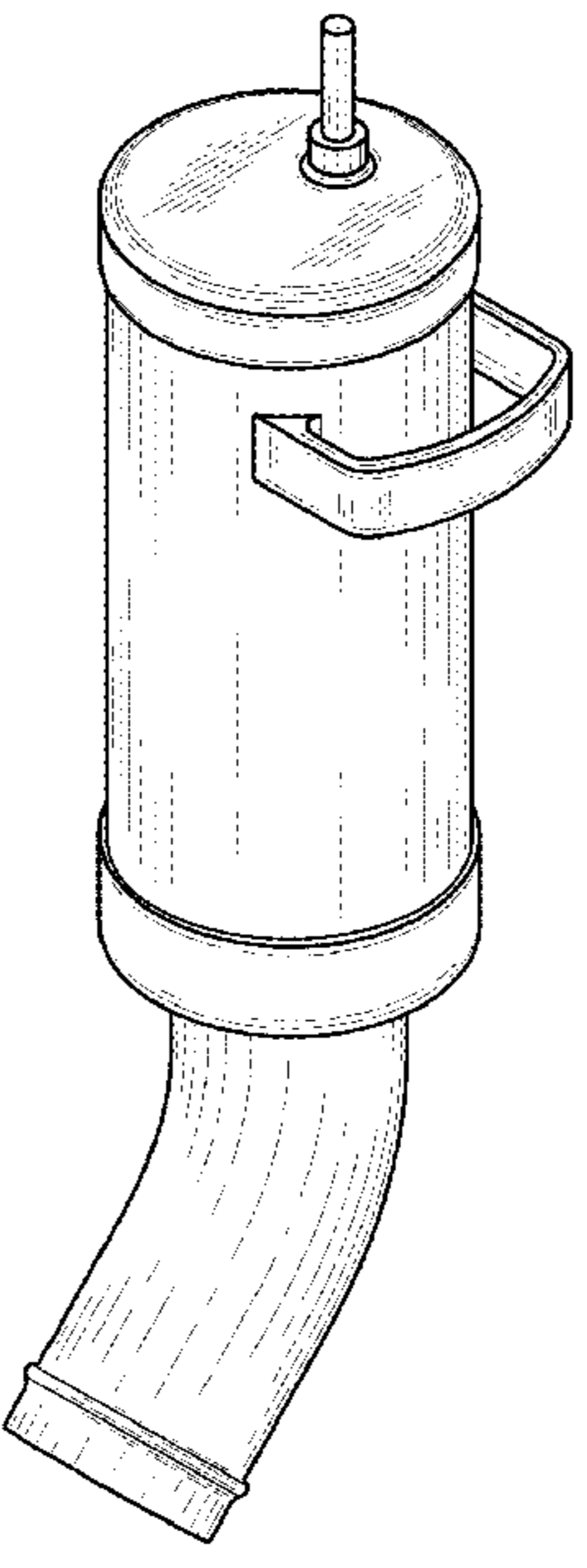
4,847,923 A * 7/1989 Huang E03C 1/308
 4/255.03

D392,928 S * 3/1998 Erion D12/194

D404,178 S * 1/1999 Wetzler D32/35

5,940,897 A * 8/1999 James E03C 1/308
 4/255.02

6,379,410 B1 * 4/2002 Dudley B01D 46/2414
 55/385.3



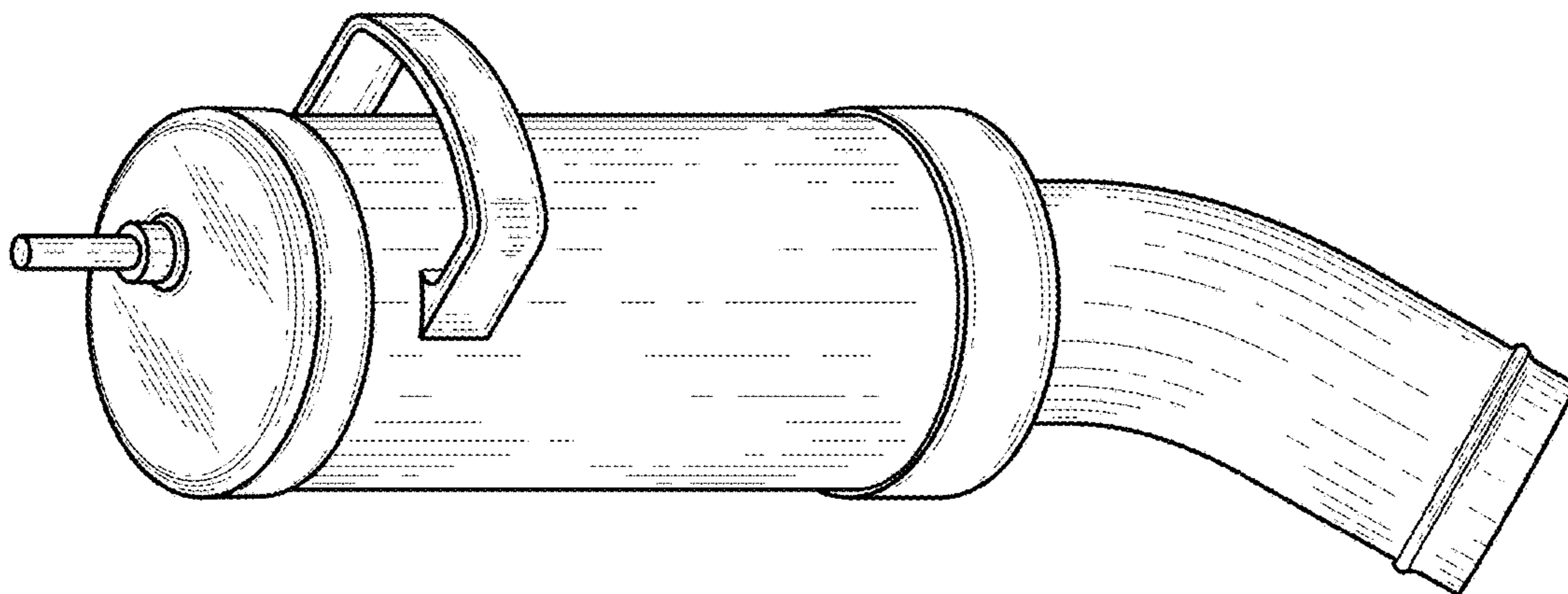


Fig. 1

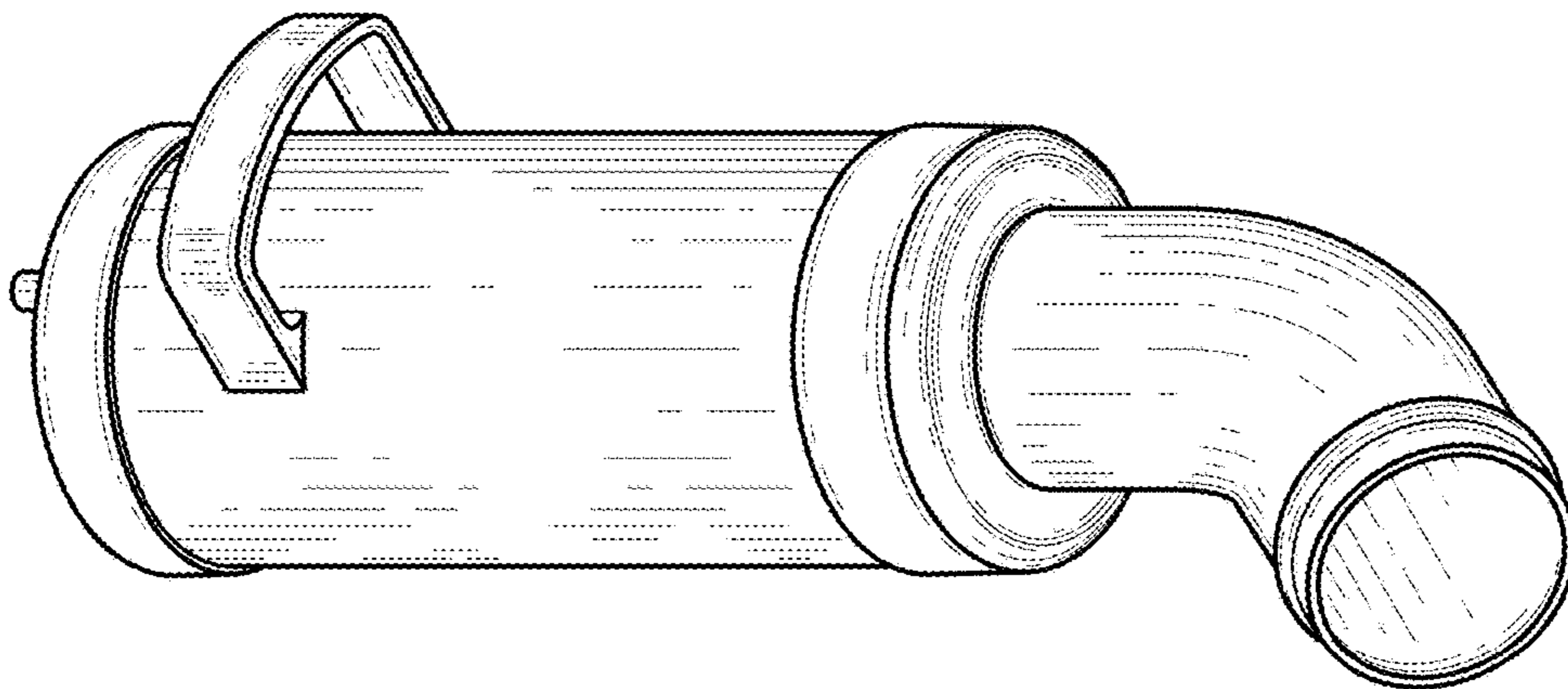


Fig. 2

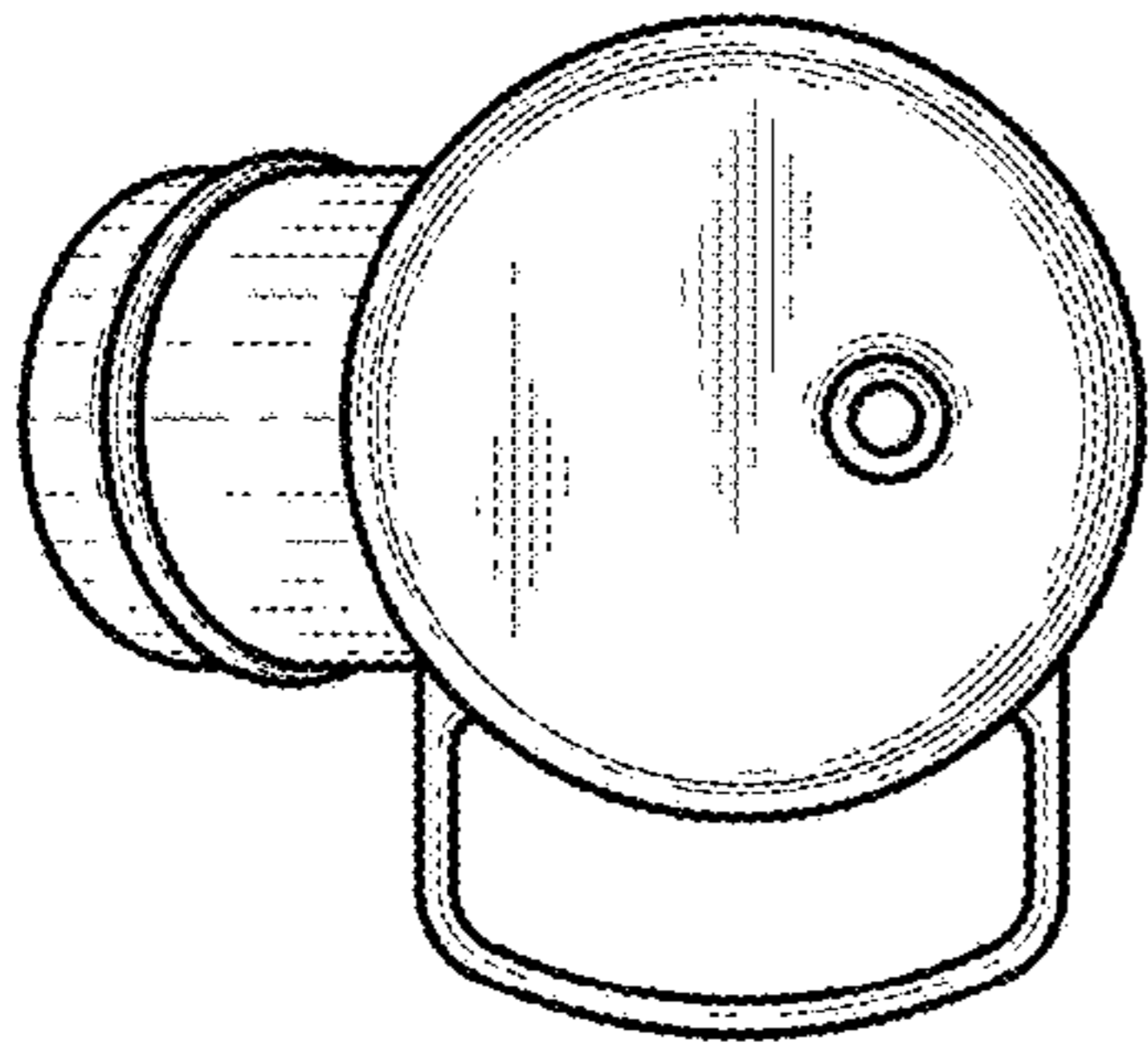


Fig. 3

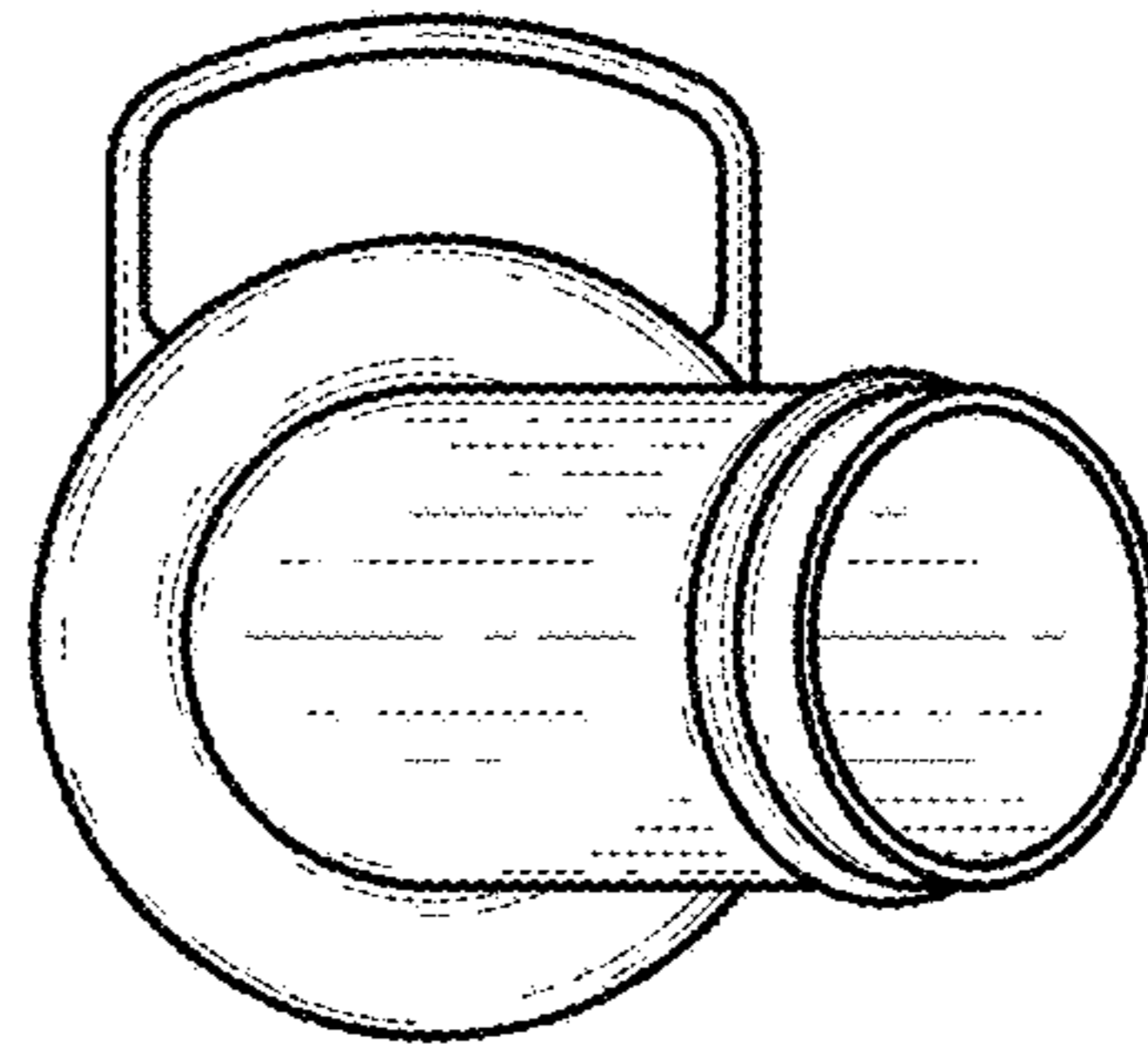


Fig. 4

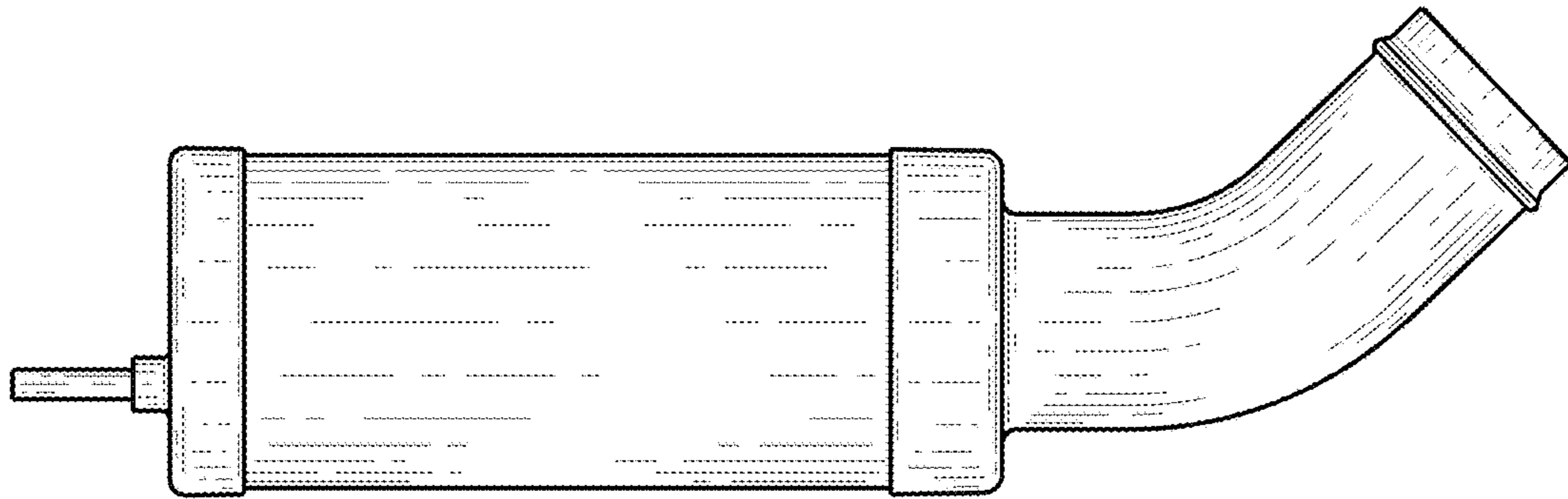


Fig. 8

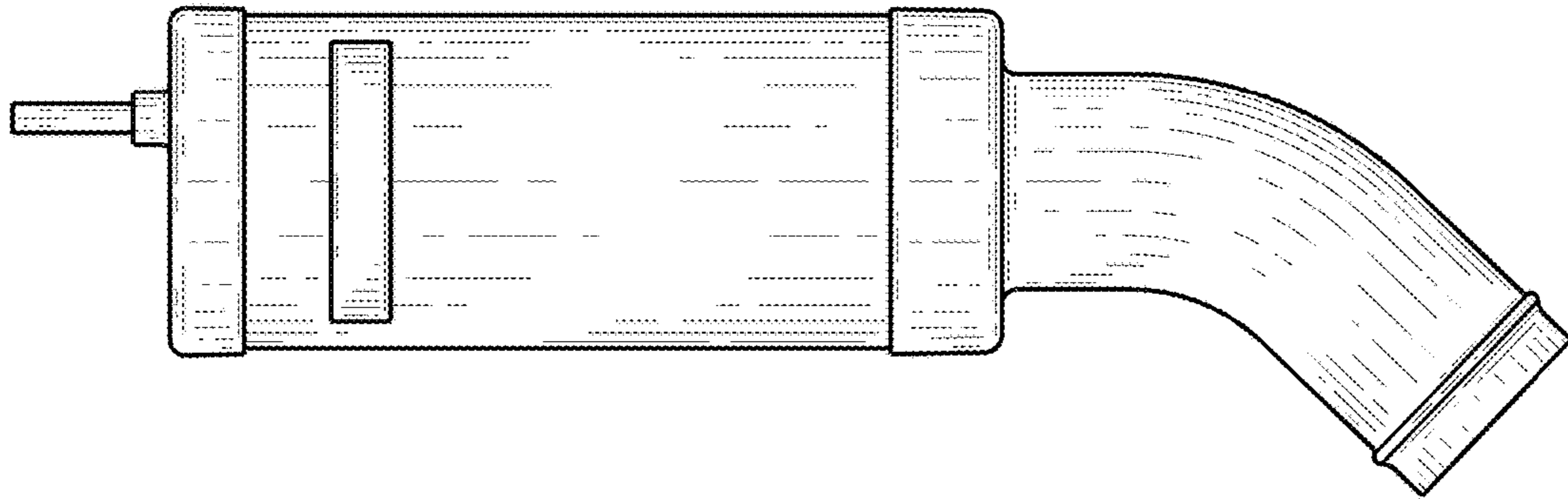


Fig. 7

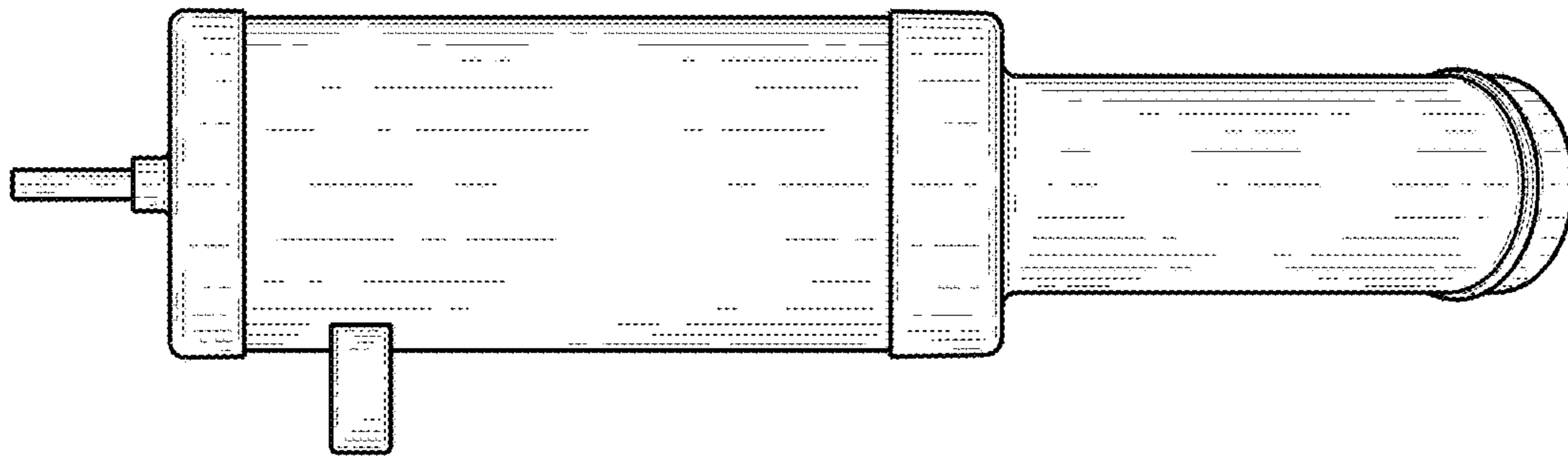


Fig. 6

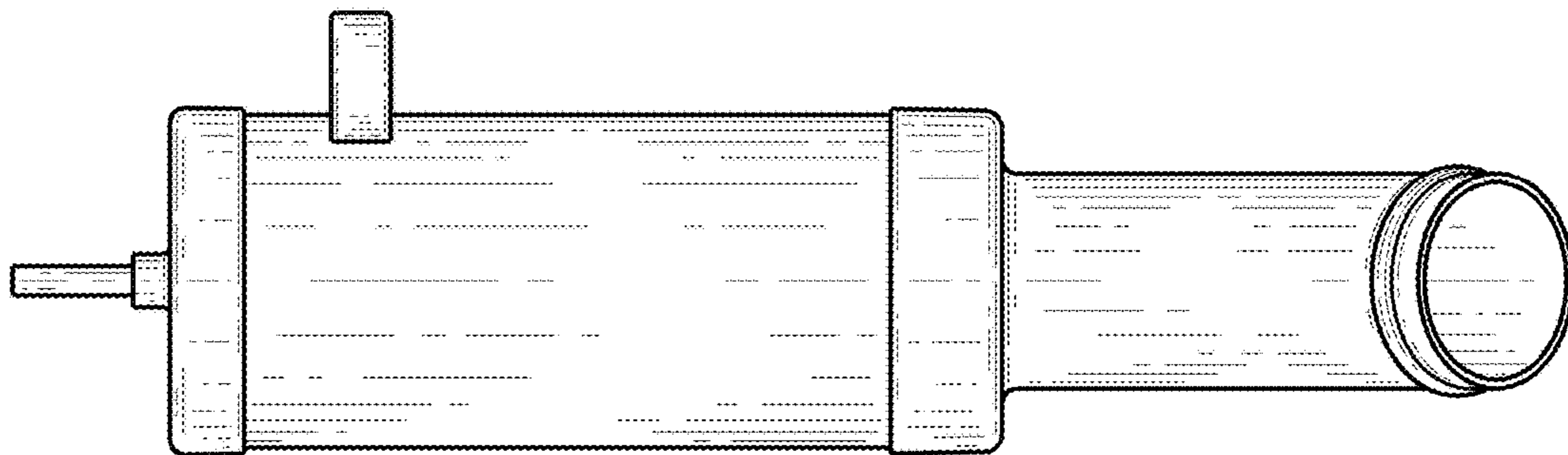


Fig. 5