



US00D841268S

(12) **United States Design Patent**
Ebrahimi Afrouzi et al.

(10) **Patent No.:** **US D841,268 S**
(45) **Date of Patent:** **** Feb. 19, 2019**

- (54) **ROTATING BRUSH**
- (71) Applicant: **Bobsweep Inc.**, Toronto (CA)
- (72) Inventors: **Ali Ebrahimi Afrouzi**, San Jose, CA (US); **Alexander Douglas Powers**, Alamo, CA (US)
- (73) Assignee: **AI Incorporated**, Toronto (CA)
- (**) Term: **15 Years**
- (21) Appl. No.: **29/604,571**
- (22) Filed: **May 18, 2017**

3,255,479	A *	6/1966	Dolan	A46B 13/005	15/183
3,862,463	A *	1/1975	Reiter	A46B 3/14	15/182
5,056,181	A *	10/1991	Tsuchiya	A46B 7/10	15/141.2
5,109,976	A *	5/1992	Mohri	A47L 9/0411	15/256.52
5,819,357	A *	10/1998	Gould	A46B 13/005	15/182
D463,634	S *	9/2002	Mantyla	D32/31	
D471,332	S *	3/2003	Haegermarck	D32/31	
6,984,315	B2 *	1/2006	Dolton	E04H 4/1609	15/1.7
7,743,683	B2 *	6/2010	Dayton	B25F 3/00	173/216
D647,265	S *	10/2011	Follows	D32/31	
8,307,485	B2 *	11/2012	Sumonthee	E04H 4/1654	15/1.7

Related U.S. Application Data

(63) Continuation of application No. 15/462,839, filed on Mar. 18, 2017.

(51) **LOC (11) Cl.** **15-05**

(52) **U.S. Cl.**
USPC **D32/31; D4/122**

(58) **Field of Classification Search**
USPC D4/114, 115, 116, 117, 121, 122, 123, D4/127, 128, 129, 130, 131, 132, 133, D4/135, 136, 137, 138, 199; D32/4, 31, D32/25, 35, 40; 15/182, 366, 375, 383
CPC A47L 9/0477; A47L 5/30; A47L 9/0461; A46B 3/22; A46B 13/001; A46B 13/006; A46B 2200/30; E04H 4/16; E04H 4/1654
See application file for complete search history.

(56) **References Cited**

U.S. PATENT DOCUMENTS

1,907,642	A *	5/1933	Demaree	A47L 9/0477	15/141.2
2,651,799	A *	9/1953	Lombardi	A46B 13/005	15/182
3,241,172	A *	3/1966	Tilgner	A46B 13/005	15/182

(Continued)

FOREIGN PATENT DOCUMENTS

CN 304651518 * 5/2018

Primary Examiner — Karen E Eldridge Powers
(74) *Attorney, Agent, or Firm* — STLG ip Law Firm; Sody Tronson

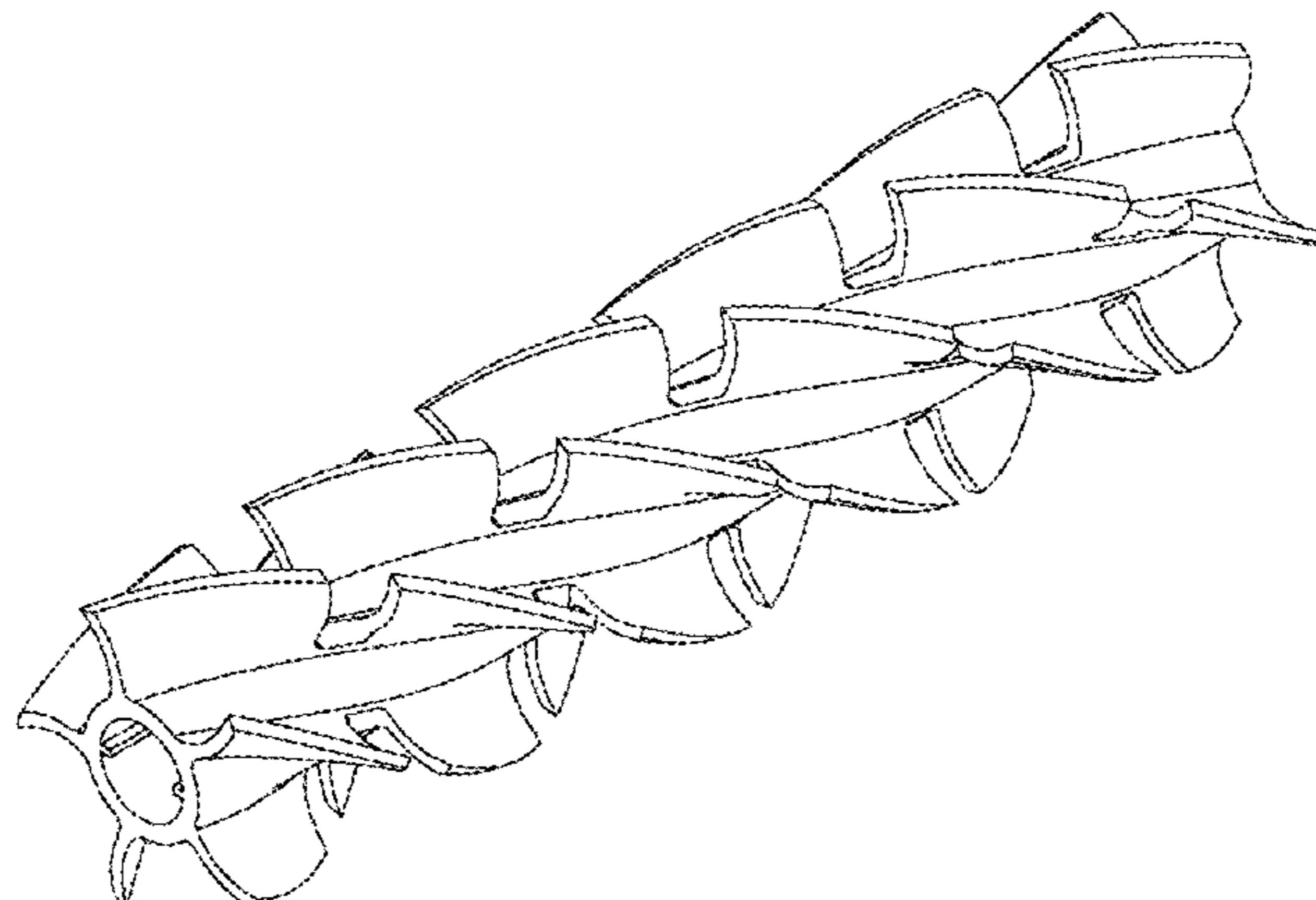
(57) **CLAIM**

The ornamental design for a rotating brush, as shown.

DESCRIPTION

FIG. 1 is a perspective view of a rotating brush showing the new design;
FIG. 2 is a front elevation view thereof;
FIG. 3 is a rear elevation view thereof;
FIG. 4 is a top plan view thereof;
FIG. 5 is a bottom plan view thereof;
FIG. 6 is a right-side elevation view thereof; and,
FIG. 7 is a left-side elevation view thereof.

1 Claim, 3 Drawing Sheets



(56)

References Cited

U.S. PATENT DOCUMENTS

8,800,107	B2 *	8/2014	Blouin	A47L 9/0455 15/392
8,806,710	B2 *	8/2014	Follows	A46B 13/006 15/1.51
D716,510	S *	10/2014	Gilbert, Jr.	D32/31
8,881,339	B2 *	11/2014	Gilbert, Jr.	A47L 9/0477 15/319
9,173,534	B2 *	11/2015	Ando	A47L 9/0477
9,222,275	B2 *	12/2015	Ben Dov	E04H 4/1654
9,320,399	B2 *	4/2016	Ventress	A46B 13/005
9,326,654	B2 *	5/2016	Doughty	A47L 9/0477
9,359,782	B2 *	6/2016	Hui	E04H 4/1654
9,456,723	B2 *	10/2016	Thorne	A47L 5/30
9,668,628	B2 *	6/2017	Kasper	A47L 5/30
9,677,295	B2 *	6/2017	Gopalan	E04H 4/1654
9,758,978	B2 *	9/2017	Shlomi-Shlomi	E04H 4/1654
9,885,195	B1 *	2/2018	Hayes	E04H 4/1654
2016/0340922	A1 *	11/2016	Erlich	E04H 4/1654
2017/0356212	A1 *	12/2017	Hanan	E04H 4/1654

* cited by examiner

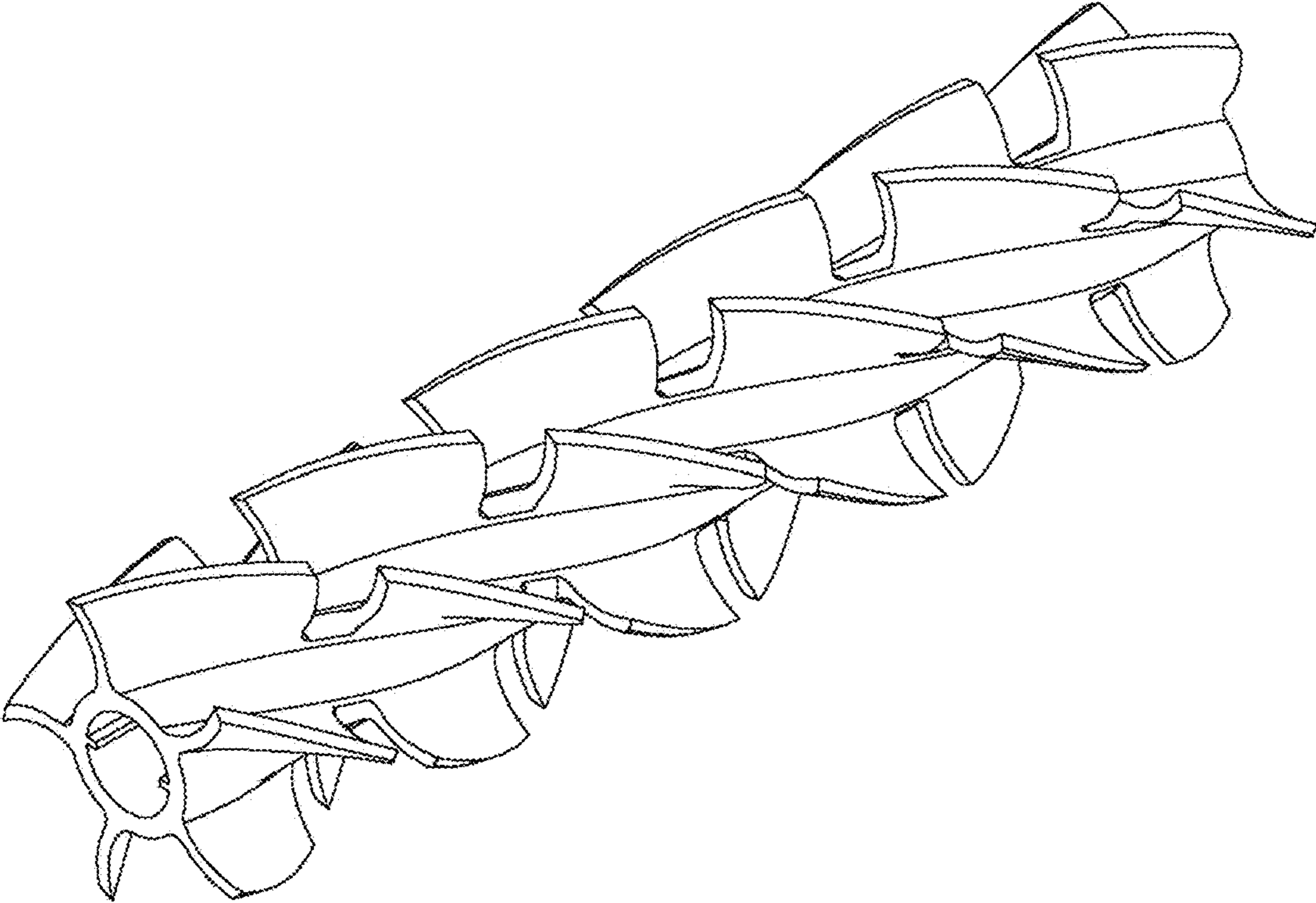


FIG. 1

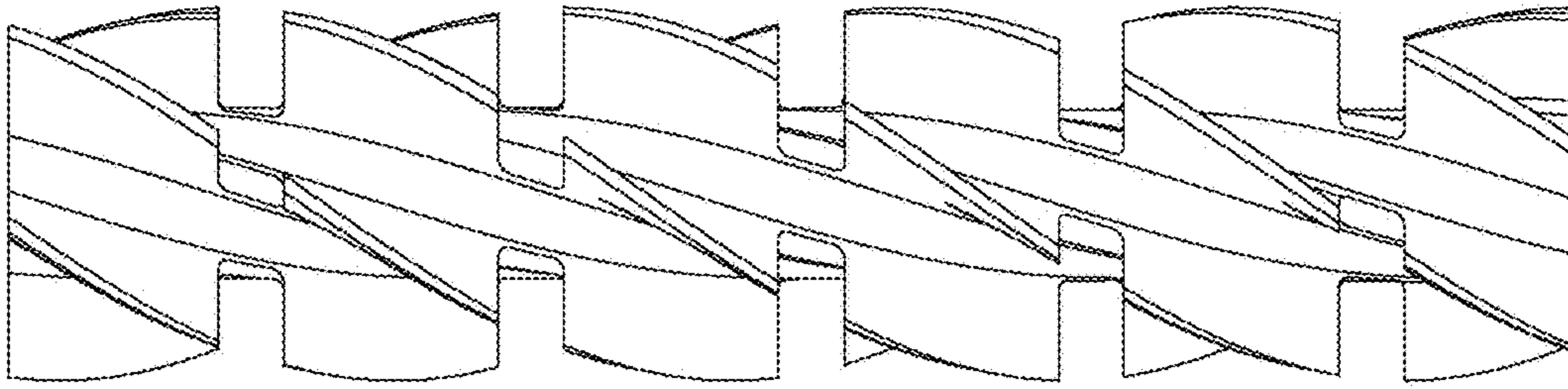


FIG. 2

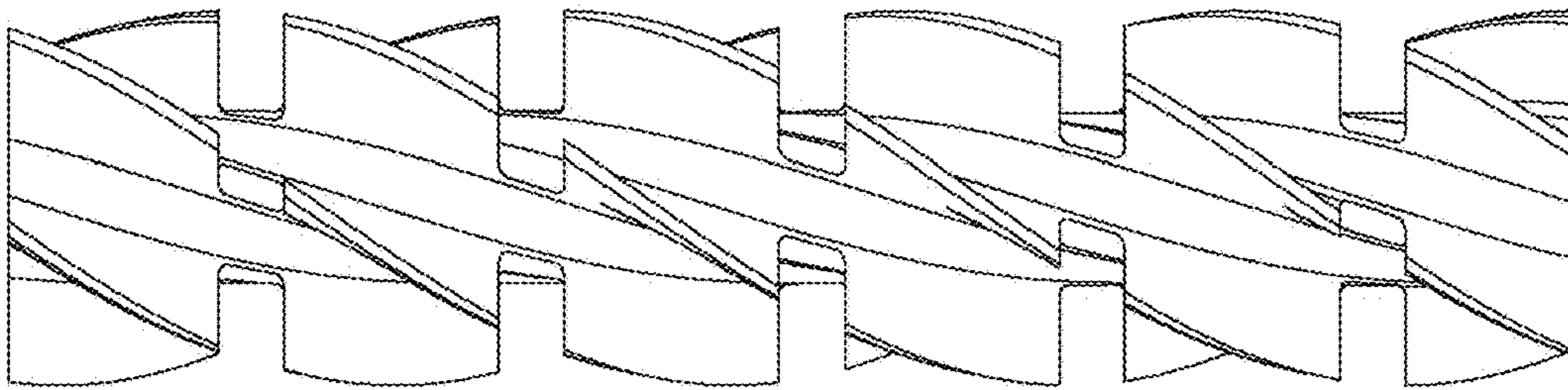


FIG. 3

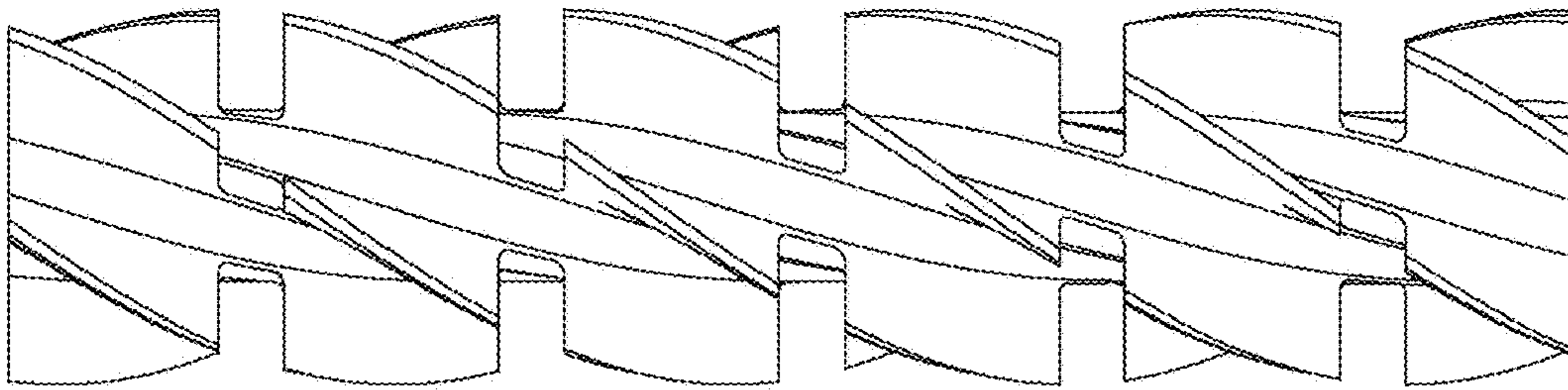


FIG. 4

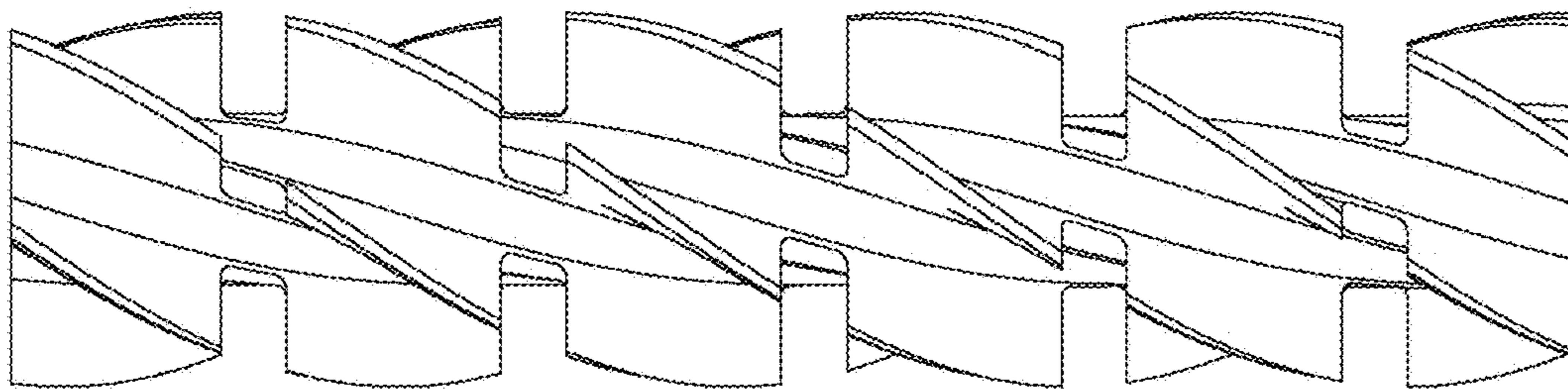


FIG. 5

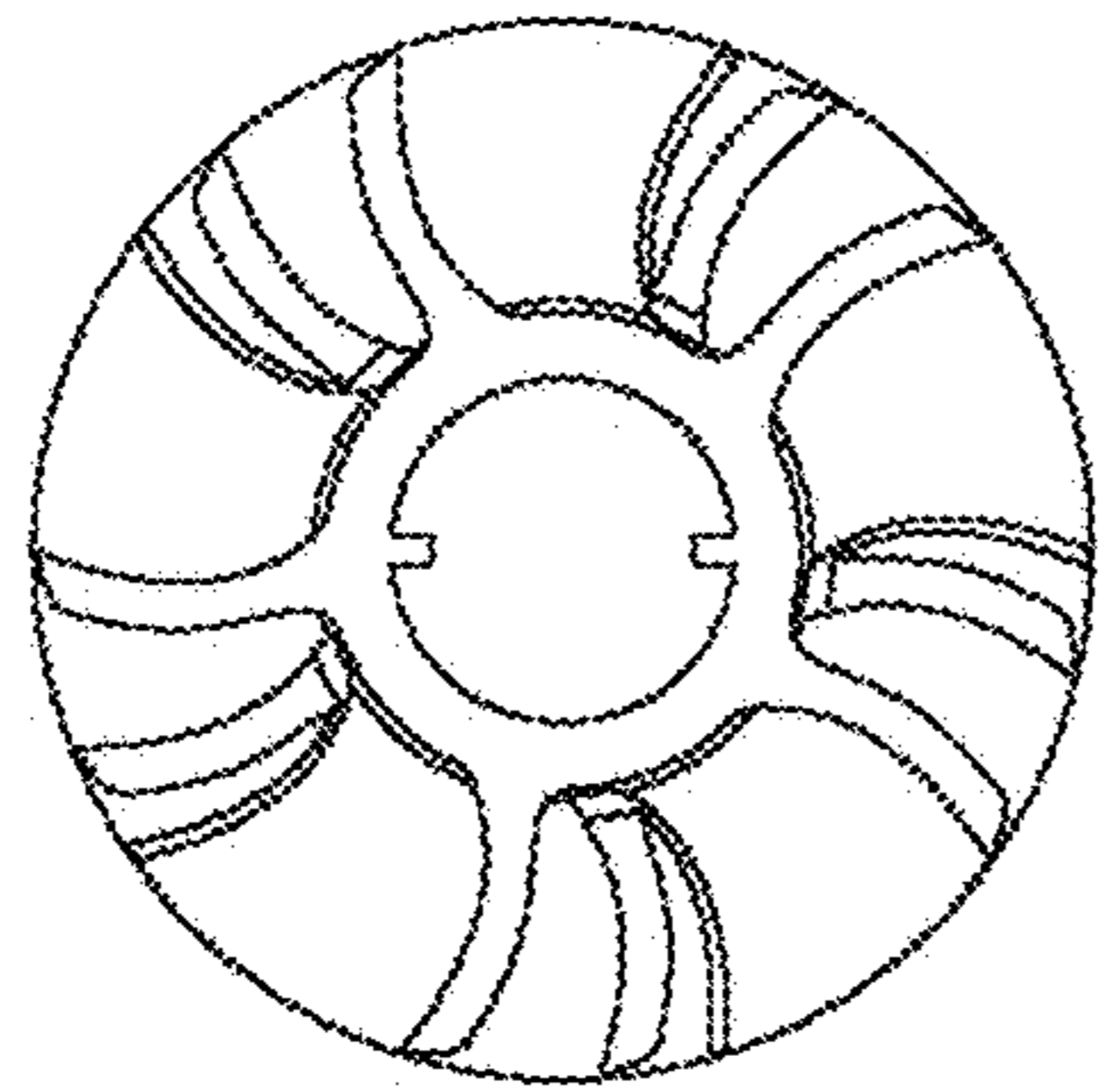


FIG. 6

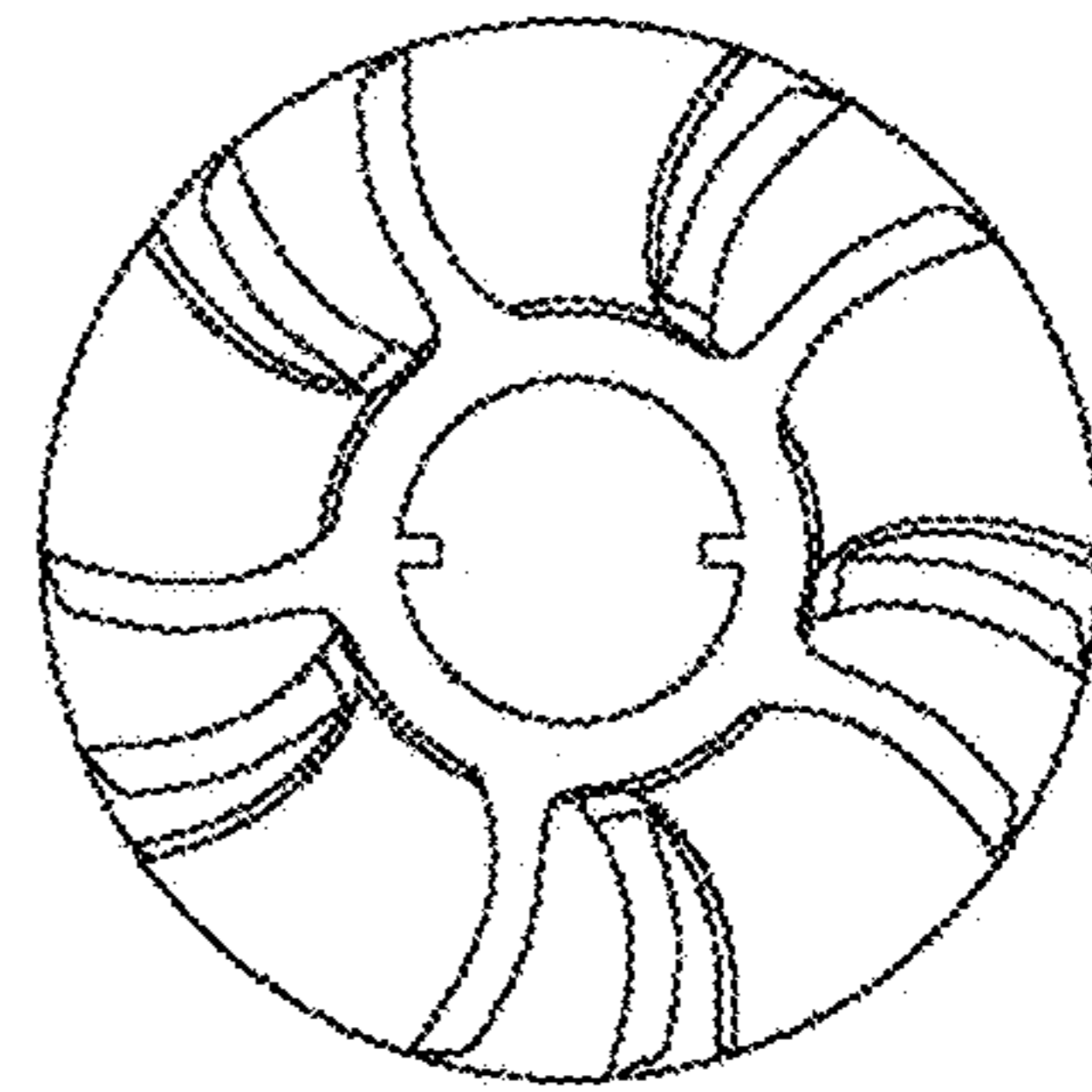


FIG. 7