



US00D841266S

(12) **United States Design Patent**  
**Desagre et al.**

(10) **Patent No.:** **US D841,266 S**

(45) **Date of Patent:** **\*\* Feb. 19, 2019**

(54) **RETRACTABLE SCREEN COMPONENT FOR A GARMENT STEAMER**

(71) Applicant: **CALOR**, Ecully (FR)

(72) Inventors: **Thomas Desagre**, Cluses (FR);  
**Frédéric Strubi**, Lyons (FR)

(73) Assignee: **Calor**, Ecully (FR)

(\*\*) Term: **15 Years**

(21) Appl. No.: **29/611,628**

(22) Filed: **Jul. 24, 2017**

(30) **Foreign Application Priority Data**

Jan. 24, 2017 (EM) ..... 003702067-0003

(51) **LOC (11) Cl.** ..... **15-05**

(52) **U.S. Cl.**  
USPC ..... **D32/17**

(58) **Field of Classification Search**  
USPC ..... D32/17, 18, 21, 71, 73, 25  
CPC ..... D06F 87/00; D06F 75/30; D06F 75/12;  
D06F 75/20; D06F 73/00; D06F 73/10;  
D06F 59/02; D06F 59/08; A47L 5/24  
See application file for complete search history.

(56) **References Cited**

**U.S. PATENT DOCUMENTS**

4,894,935 A \* 1/1990 Kretz ..... A47G 25/0685  
223/69  
5,609,047 A \* 3/1997 Hellman, Jr. .... D06F 73/00  
239/538

D607,620 S \* 1/2010 Massip ..... D32/17  
8,091,747 B2 \* 1/2012 Haan ..... D06F 73/00  
223/90  
D707,000 S \* 6/2014 Massip ..... D32/17  
D770,104 S \* 10/2016 Koehler ..... D32/17  
D788,397 S \* 5/2017 Tan ..... D32/73  
9,816,224 B2 \* 11/2017 Chua ..... D06F 81/02  
9,822,480 B2 \* 11/2017 Fung ..... D06F 73/00

\* cited by examiner

*Primary Examiner* — Ruth McInroy

(74) *Attorney, Agent, or Firm* — Loeb & Loeb LLP

(57) **CLAIM**

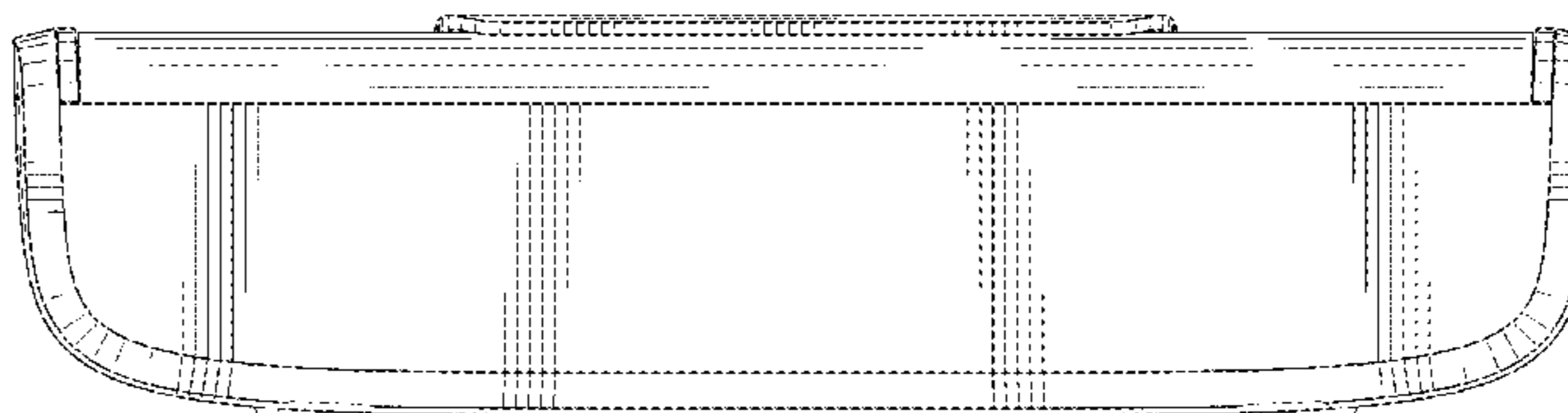
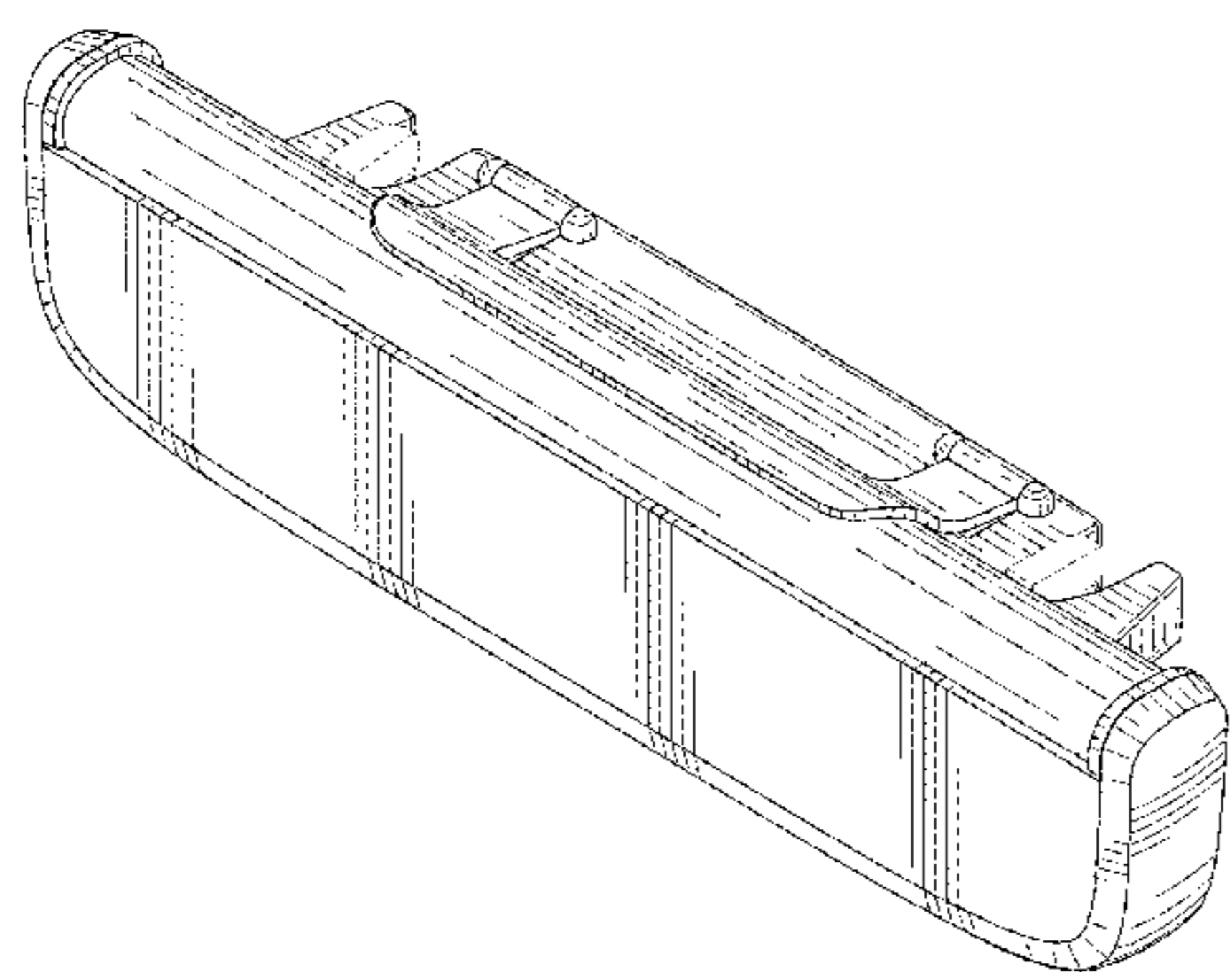
The ornamental design for a retractable screen component for a garment steamer, as shown and described.

**DESCRIPTION**

FIG. 1 is a perspective view of a retractable screen component for a garment steamer showing our new design; FIG. 2 is a front elevational view thereof; FIG. 3 is a rear elevational view thereof; FIG. 4 is a right side elevational view thereof; FIG. 5 is a left side elevational view thereof; FIG. 6 is a top view thereof; and, FIG. 7 is a bottom view thereof.

The broken lines appearing in the figures are for the purpose of illustrating portions of the retractable screen component for a garment steamer that form no part of the claimed design.

**1 Claim, 6 Drawing Sheets**



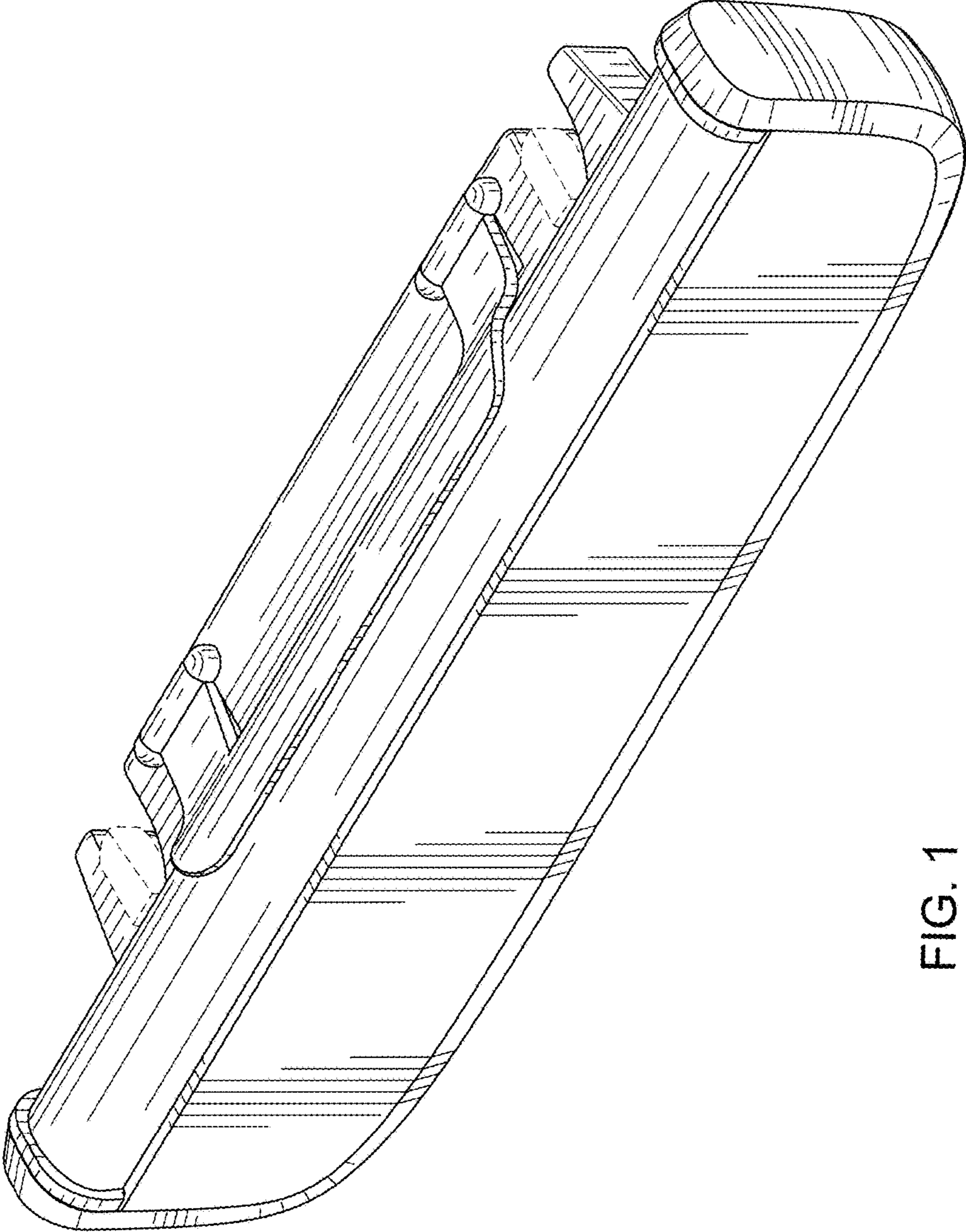


FIG. 1

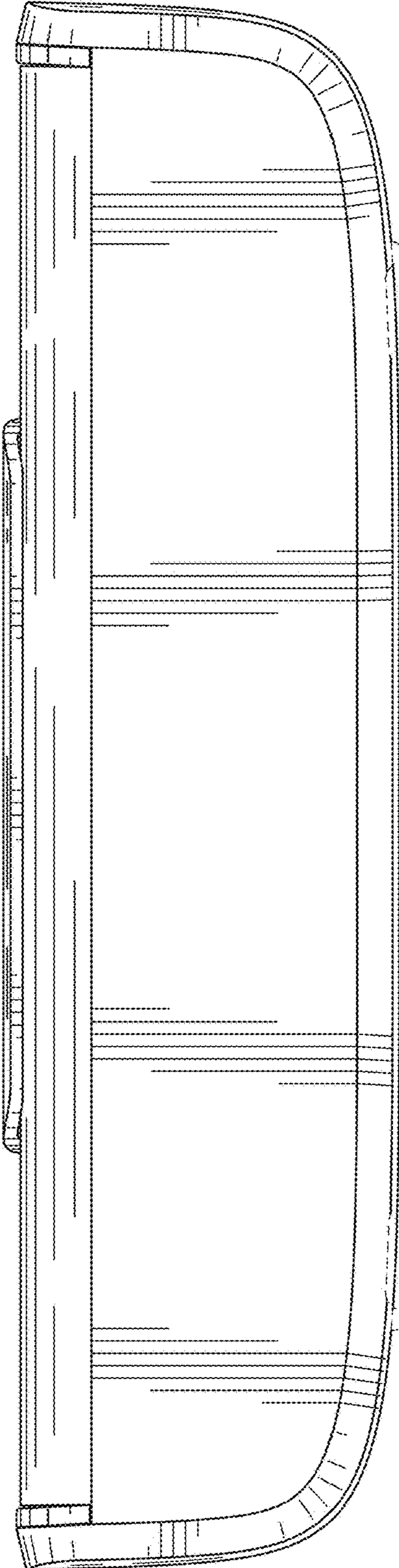


FIG. 2

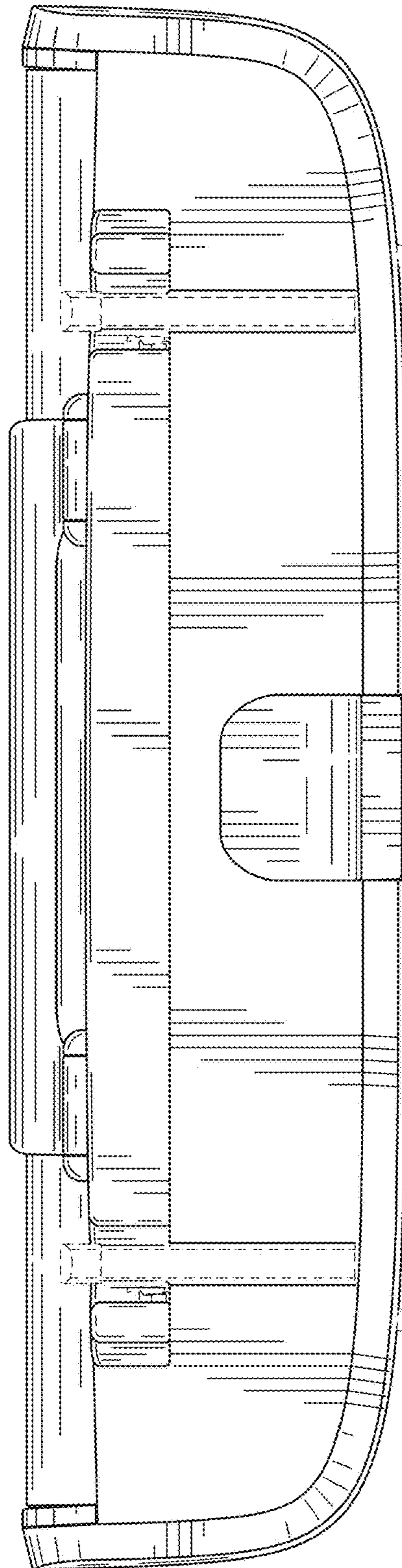


FIG. 3

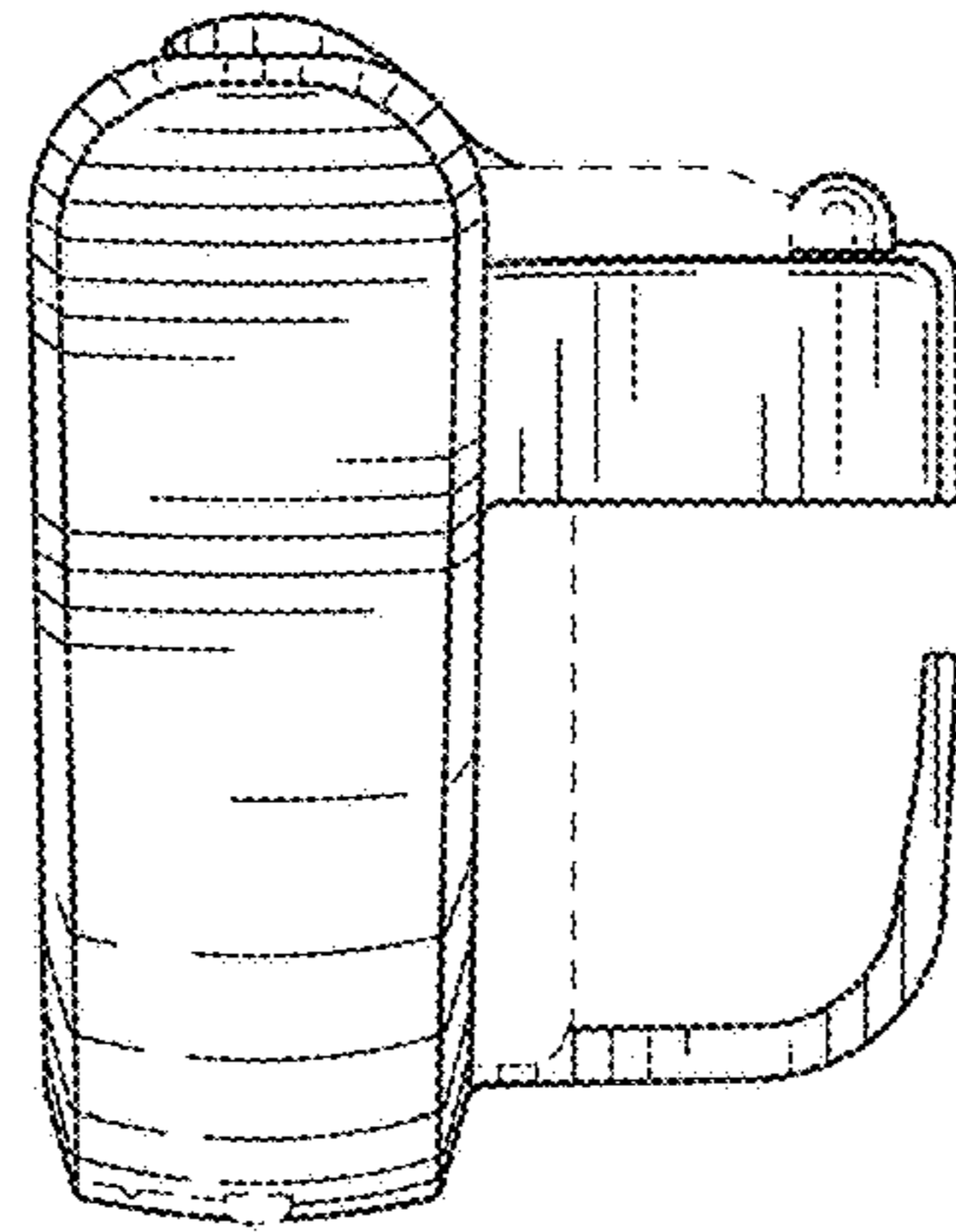


FIG. 4

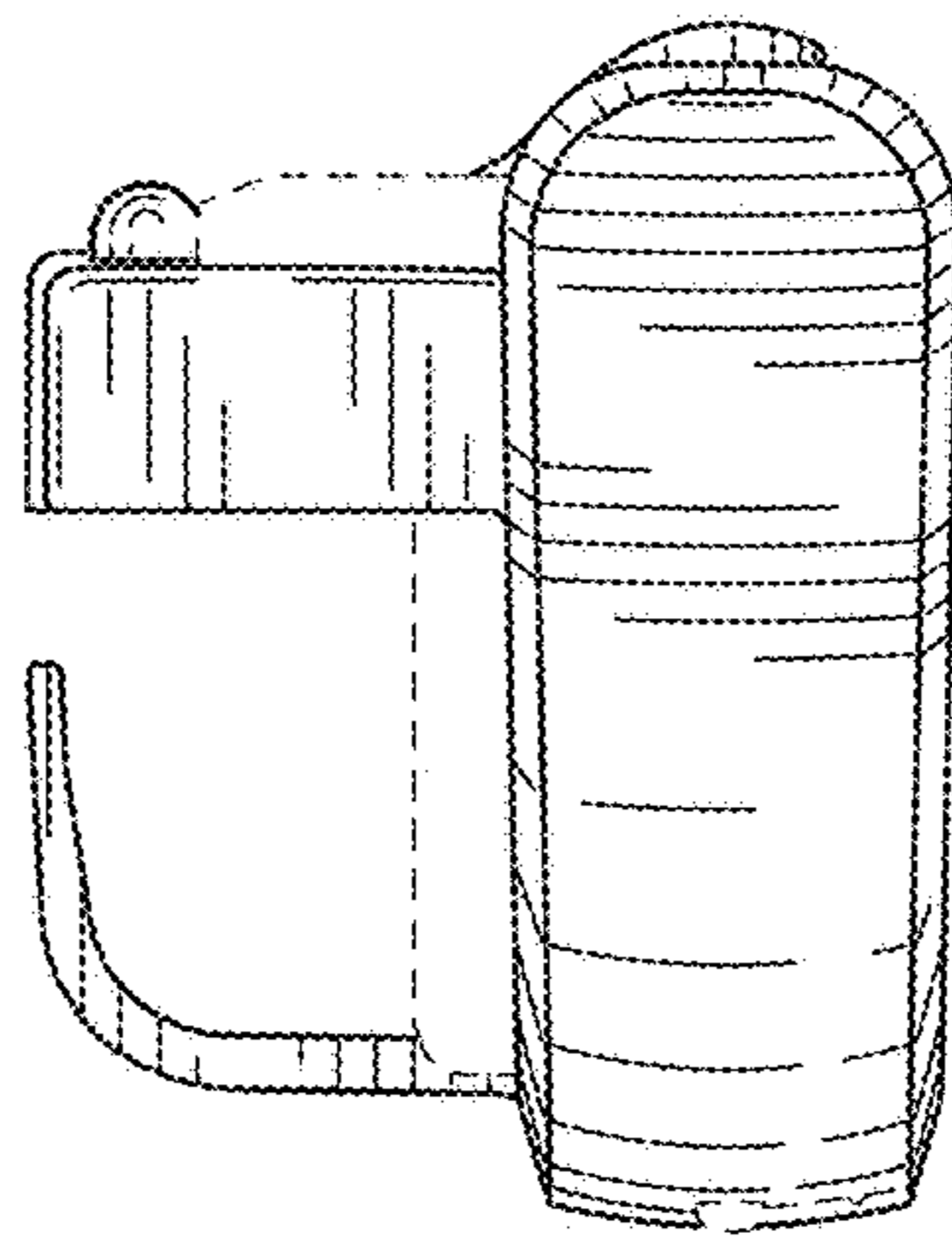


FIG. 5

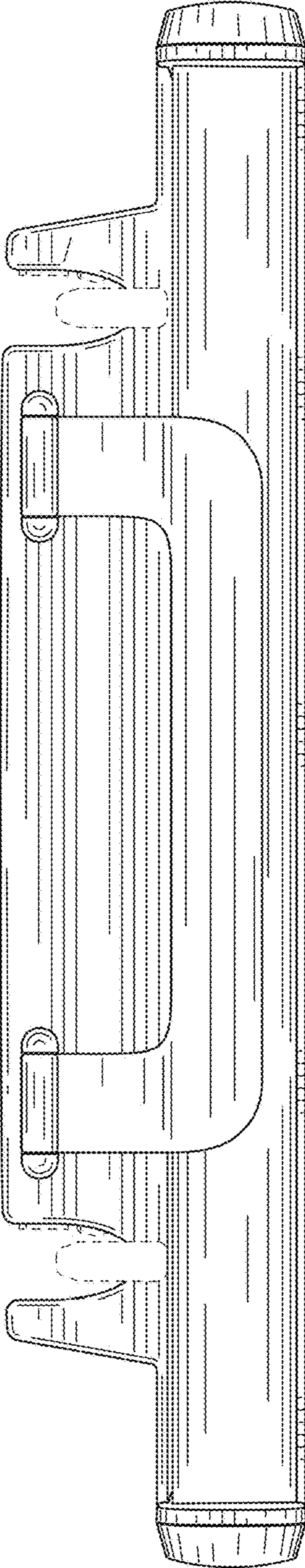


FIG. 6

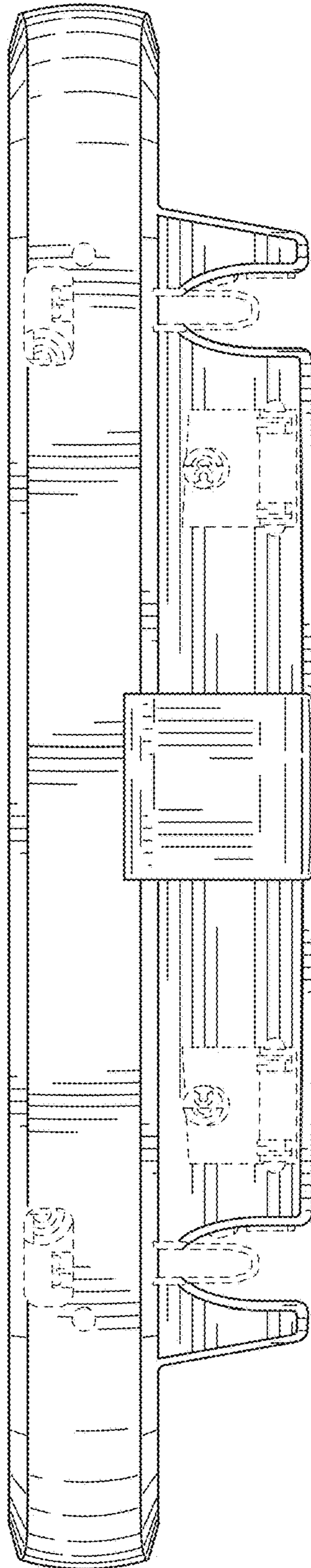


FIG. 7