



US00D841264S

(12) **United States Design Patent**
Horito et al.

(10) **Patent No.:** **US D841,264 S**
(45) **Date of Patent:** **** Feb. 19, 2019**

(54) **CARPET CLEANING TOOL**

(71) Applicant: **Rocketship, Inc**, Provo, UT (US)

(72) Inventors: **Michael S. Horito**, Provo, UT (US);
John Richard Omdahl, II, Lindon, UT (US);
Tyler Frederic Allan, Highland, UT (US)

(**) Term: **15 Years**

(21) Appl. No.: **29/585,004**

(22) Filed: **Nov. 18, 2016**

(51) **LOC (11) Cl.** **15-05**

(52) **U.S. Cl.**
USPC **D32/17**

(58) **Field of Classification Search**
USPC D32/29.1, 29, 28, 6, 25, 8, 1, 5, 10, 17;
312/288; 248/638, 673
CPC D06F 39/045; D06F 25/00; D06F 39/022;
D06F 33/02; D06F 2204/065; D06F
33/006; D06F 39/12; D06F 39/00; D06F
49/06; D06F 37/26; D06F 37/20; D06F
31/00; A47L 15/4418; F16M 9/00
See application file for complete search history.

(56) **References Cited**

U.S. PATENT DOCUMENTS

2,514,334	A *	7/1950	Nidermeyer	G03D 15/08
					100/265
D398,100	S *	9/1998	Stephens	D32/23
D437,764	S *	2/2001	Zimmerman	D8/98
D446,892	S *	8/2001	Griffin	D32/23
D579,276	S *	10/2008	Burd	D7/624.1
D599,066	S *	8/2009	Baker	D32/38
D804,120	S *	11/2017	Bond	D32/31

OTHER PUBLICATIONS

The SpotVac posted by Paul Kappos posted date Mar. 2013, ©
Indiegogo, [online], [site visited Jan. 2, 2018]. Available from

Internet, <https://www.indiegogo.com/projects/the-spotvac#/> (Year: 2013).*

SpotVac and SubSurface Spot Xtractor posted by Rocketship posted date unknown, © RocketShip, [online], [site visited Jan. 2, 2018]. Available from Internet, <http://www.rocketshipdesign.com/work/spotvac/> (Year: 2017).*

SpotVac Video 1 posted by Remove the Spill posted date May 11, 2013, © YouTube, [online], [site visited Jan. 2, 2018]. Available from Internet, <https://www.youtube.com/watch?v=qZgeFz5gU2I> (Year: 2013).*

SubSurface Extraction posted by SpotVac posted date Aug. 22, 2012, © YouTube, [online], [site visited Jan. 2, 2018]. Available from Internet, <https://www.youtube.com/watch?v=aJizPjqQdj8> (Year: 2012).*

(Continued)

Primary Examiner — Cynthia Ramirez

Assistant Examiner — Laura H Yu

(74) *Attorney, Agent, or Firm* — Durham Jones & Pinegar; Sarah W. Matthews; Randall B. Bateman

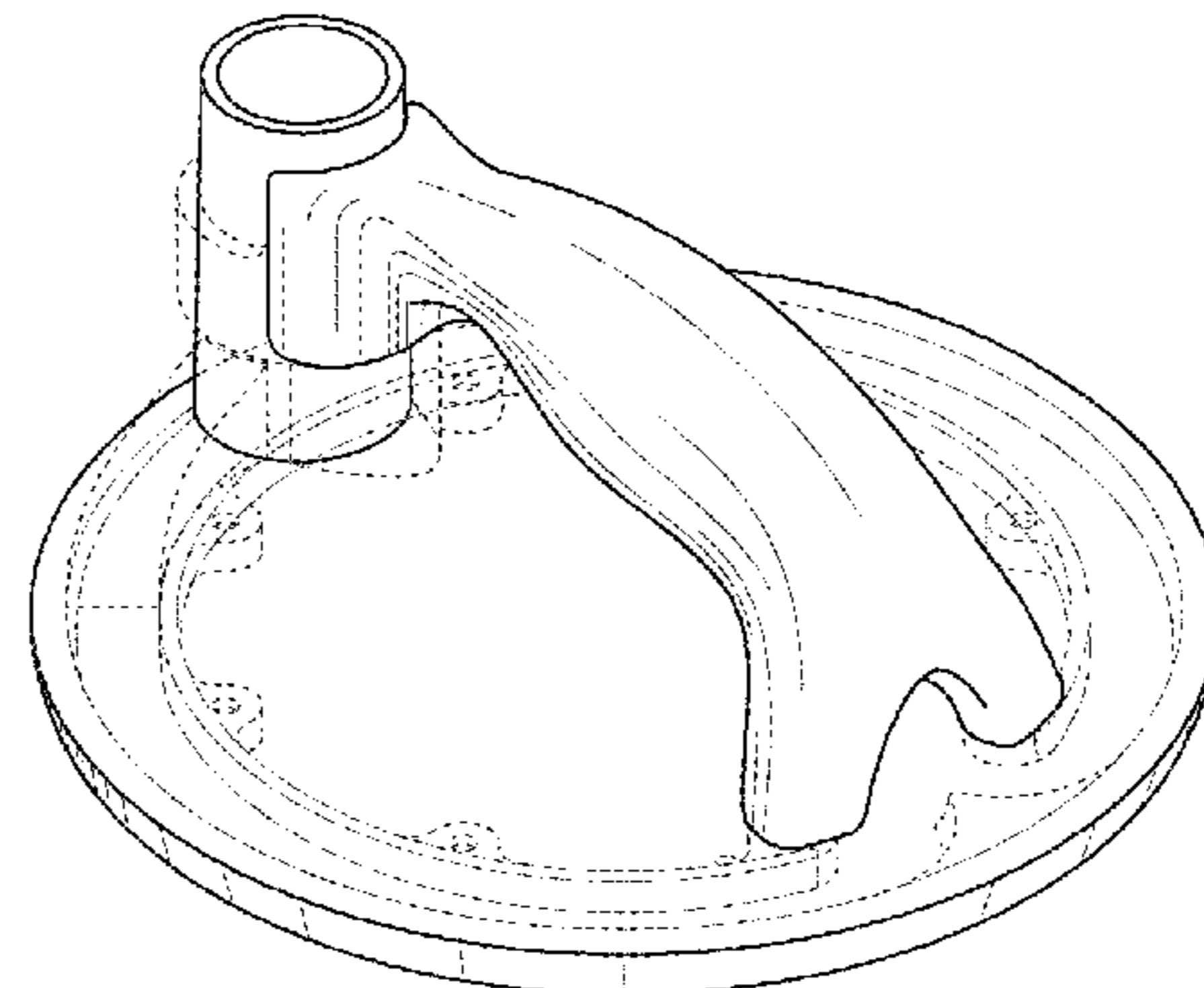
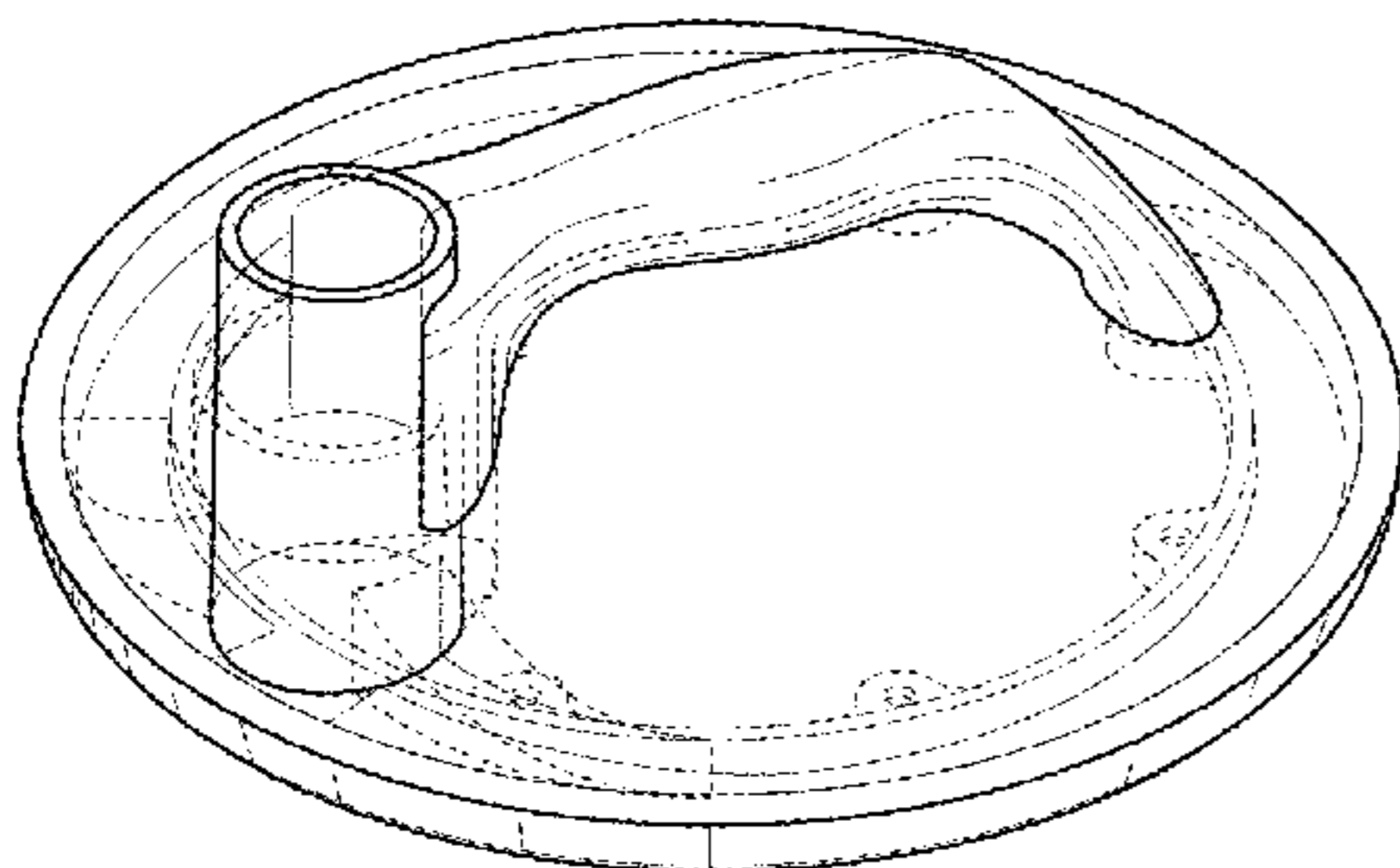
(57) **CLAIM**

The ornamental design for a carpet cleaning tool, as shown and described.

DESCRIPTION

FIG. 1 is a top and front perspective view of a carpet cleaning tool showing our new design; FIG. 2 is a top and rear perspective thereof; FIG. 3 is a bottom and front perspective thereof; FIG. 4 is a top plan view thereof; FIG. 5 is a front elevation thereof; FIG. 6 is a left side elevation thereof; FIG. 7 is a rear elevation thereof; and, FIG. 8 is a bottom plan view thereof. The broken lines show portions of the carpet cleaning tool that form no part of the claimed design.

1 Claim, 8 Drawing Sheets



(56)

References Cited

OTHER PUBLICATIONS

StainOut System SOS Sub Surface Extraction Tool posted by StainOut System posted date Jun. 23, 2015, © YouTube, [online], [site visited Jan. 2, 2018]. Available from Internet, https://www.youtube.com/watch?v=vmy2sbJX_MM (Year: 2015).*

SOS Tool in Action: Removing Carpet Stains posted by StainOut System posted date Jul. 16, 2015, © YouTube, [online], [site visited Jan. 2, 2018]. Available from Internet, <https://www.youtube.com/watch?v=FFSkAOLDTTw> (Year: 2015).*

SOS Sub Surface Carpet Extraction Tool posted by StainOut System posted review date May 28, 2016, © Amazon, [online], [site visited Jan. 2, 2018]. Available from Internet, https://www.amazon.com/S-Surface-Carpet-Extraction-Tool/dp/B00V8ZWJIM/ref=sr_1_2?ie=UTF8&qid=1514938220&sr=8-2&keywords=spot+vac (Year: 2016).*

SpotVac posted by Dattatreya posted date Feb. 9, 2013, © Home Crux, [online], [site visited Jan. 2, 2018]. Available from Internet, <http://www.homecrux.com/2013/02/09/3782/spotvac-cleaning-device-allows-sub-surface-extraction-from-your-carpets.html> (Year: 2013).*

* cited by examiner

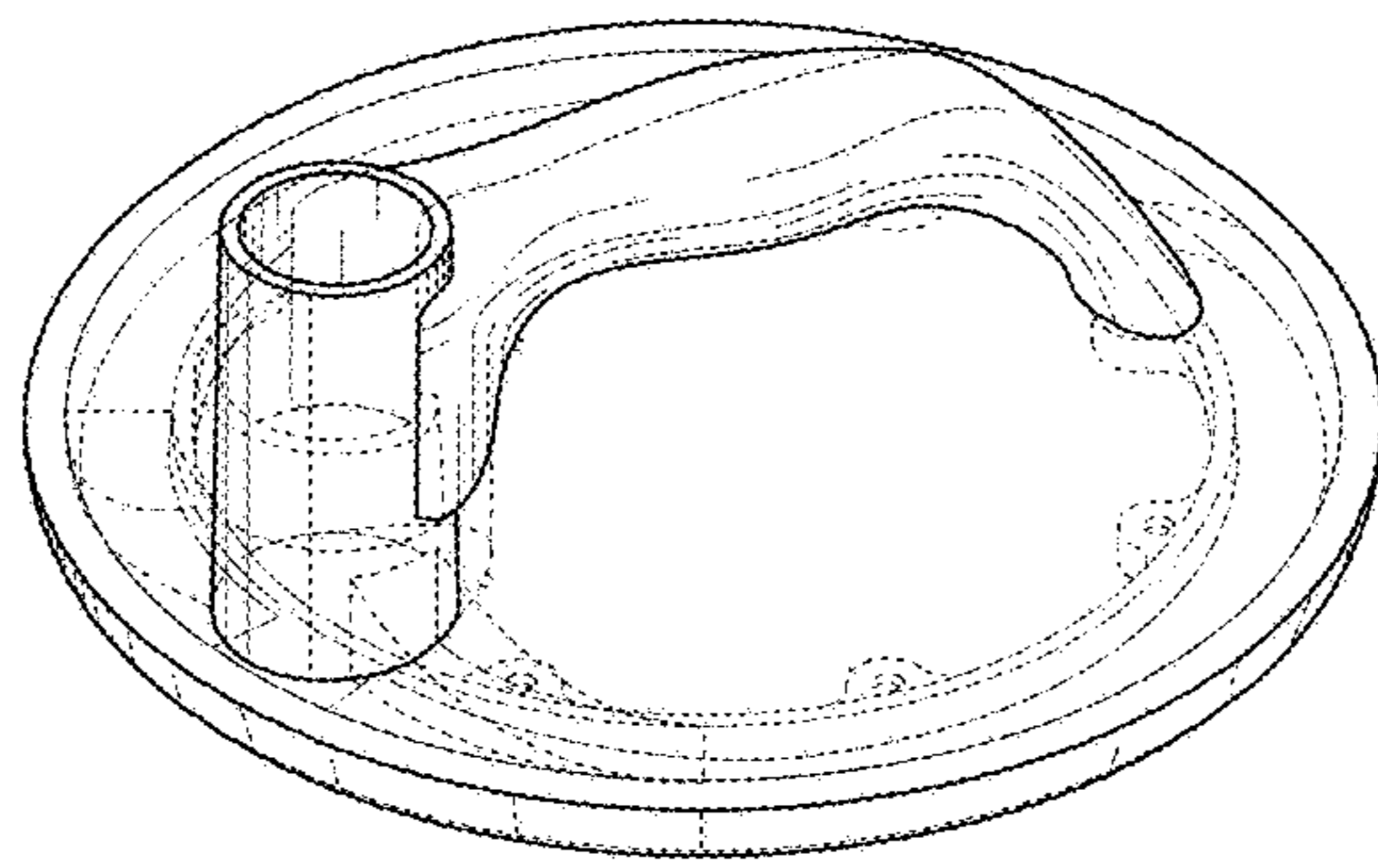


Fig. 1

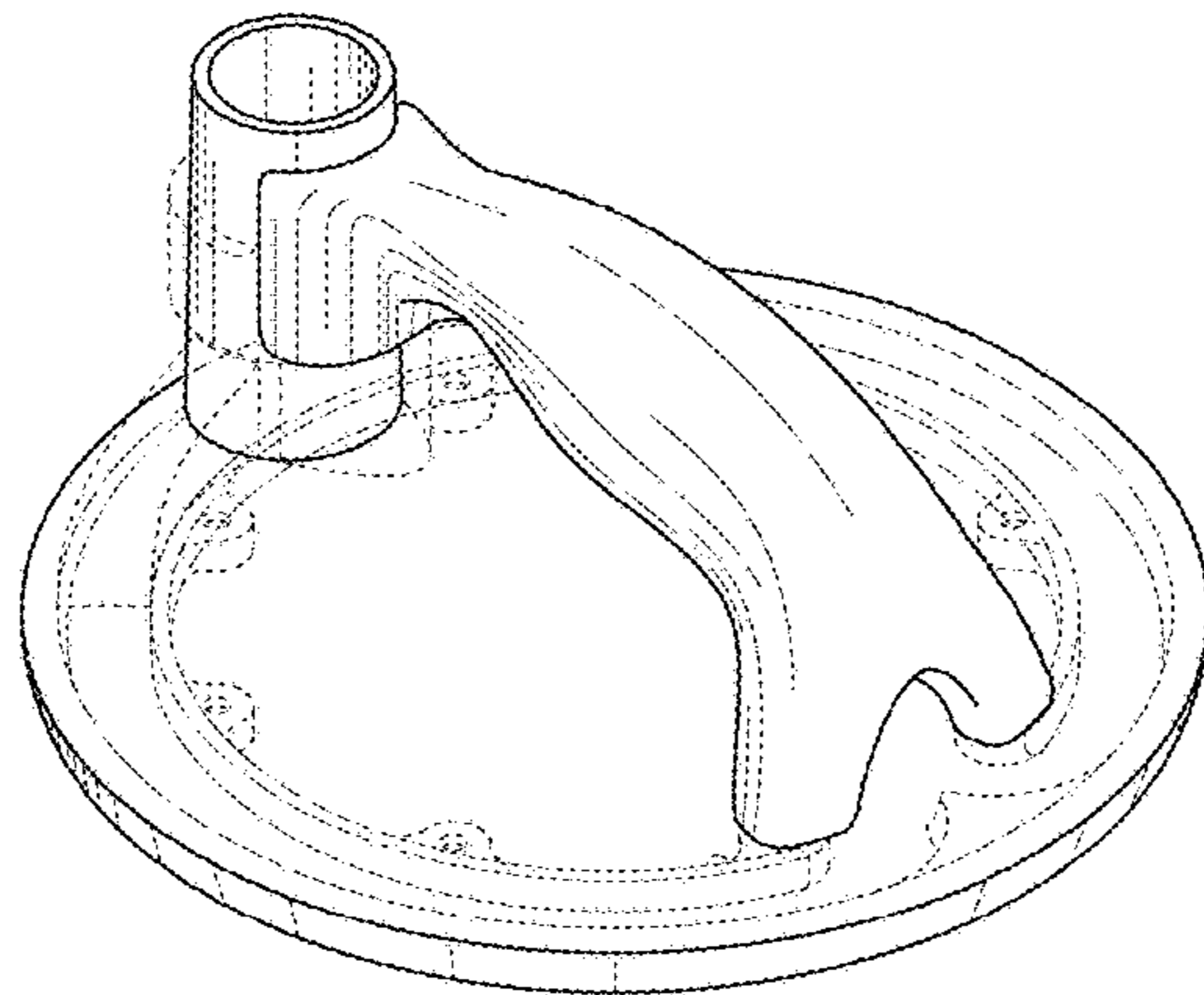


Fig. 2

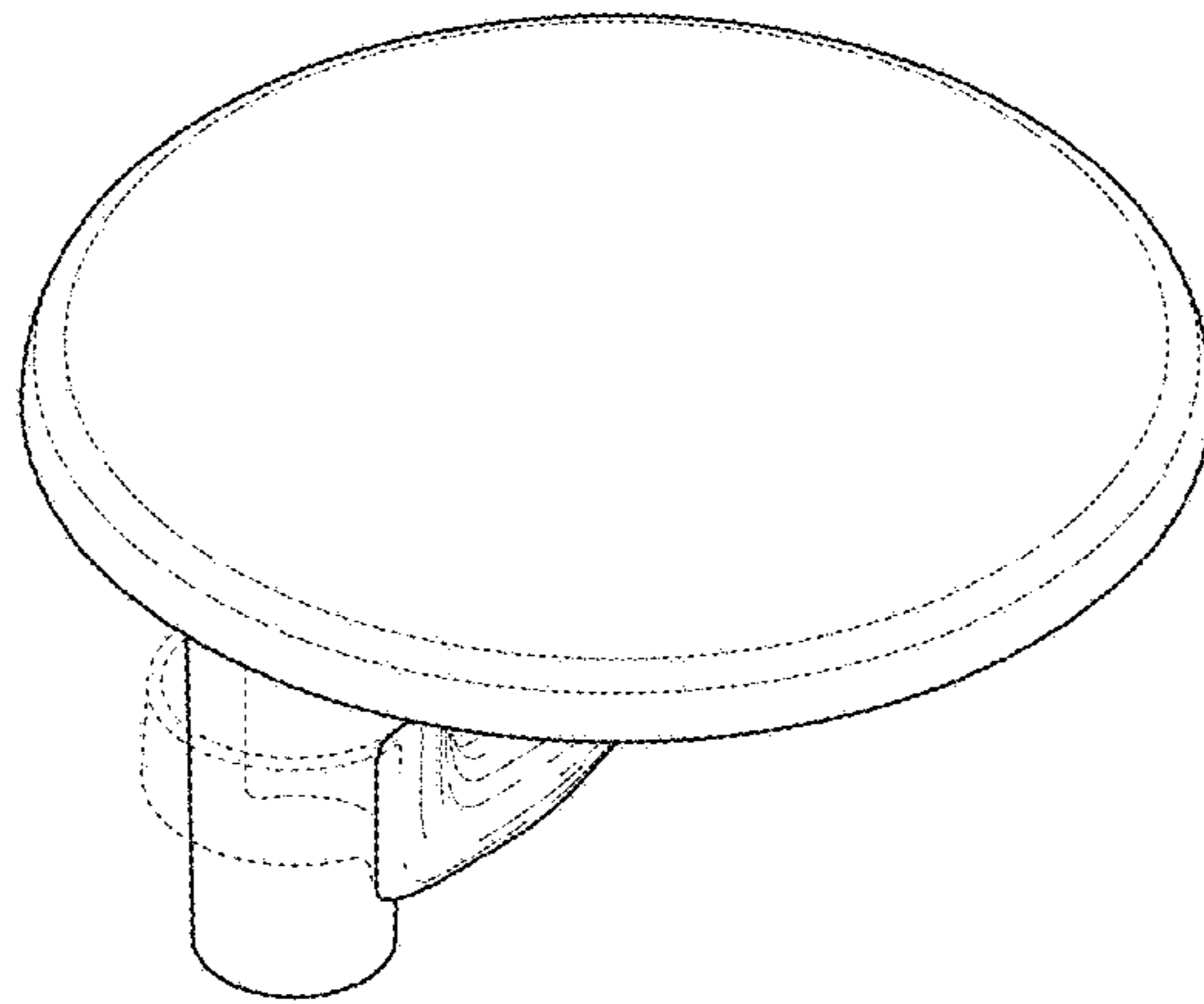


Fig. 3

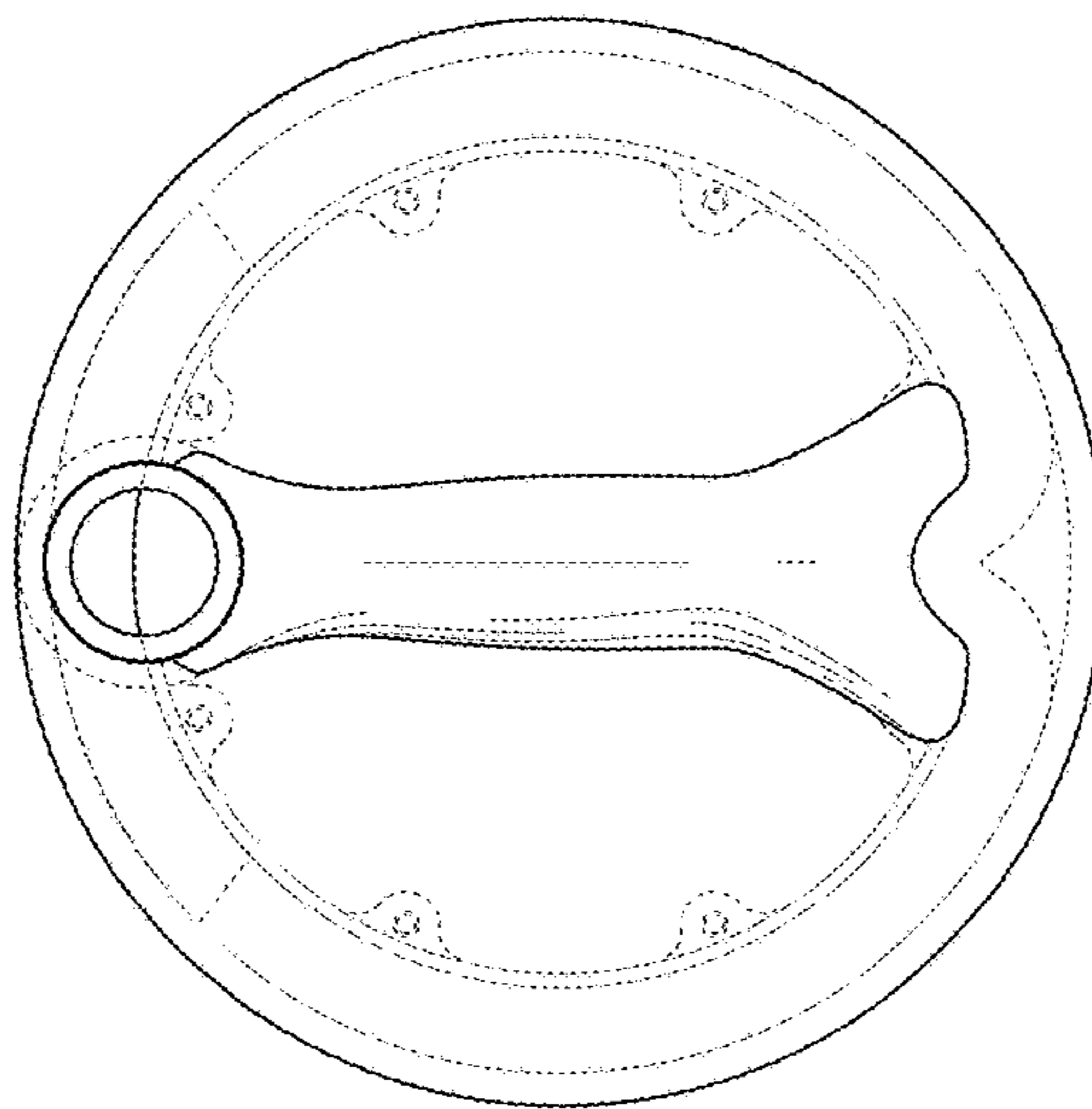


Fig. 4

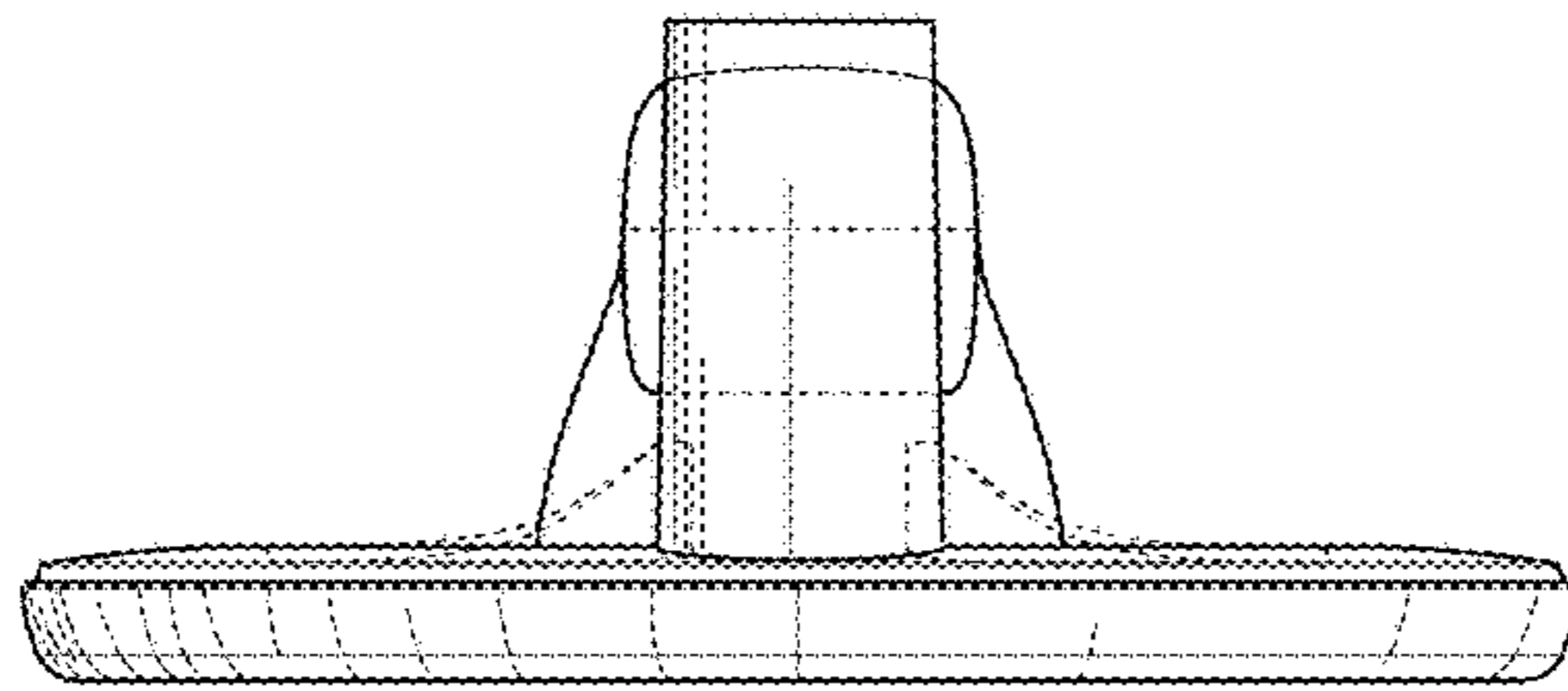


Fig. 5

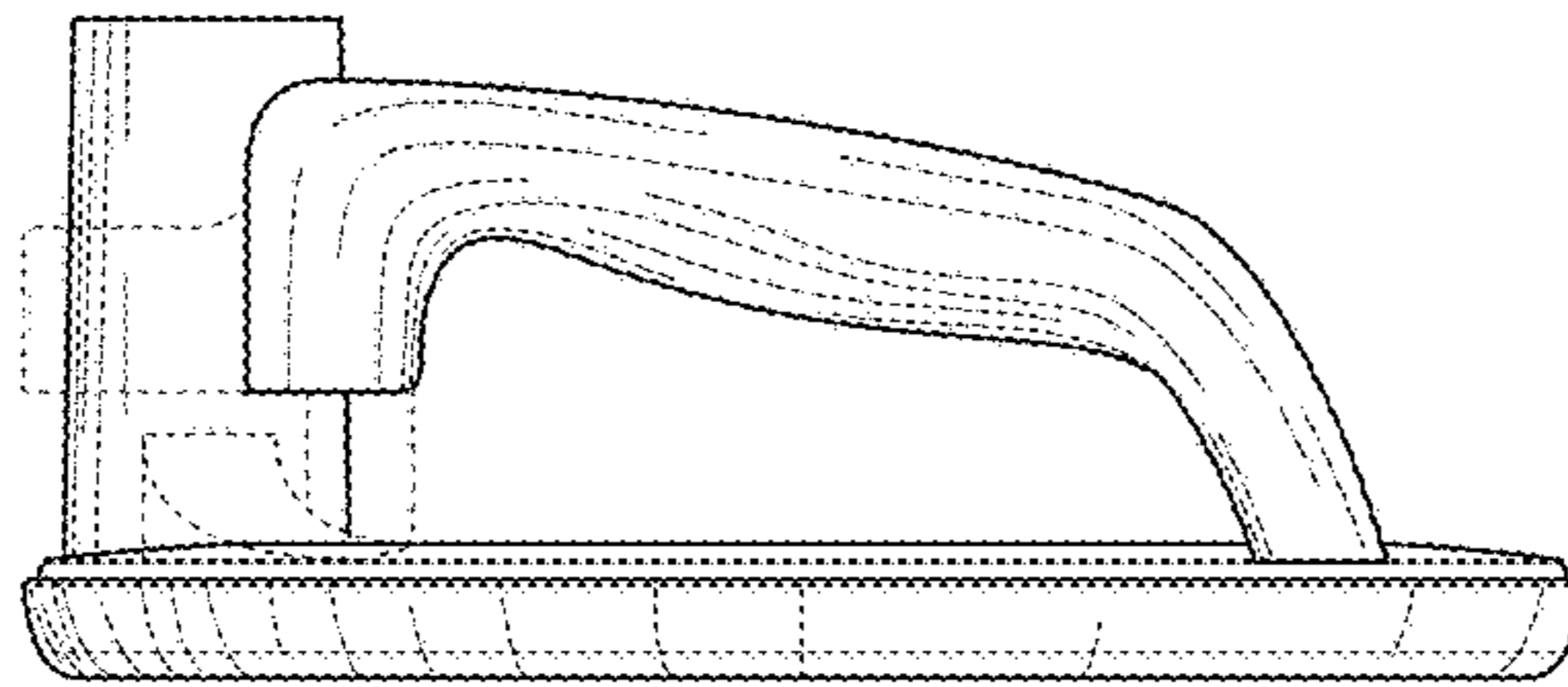


Fig. 6

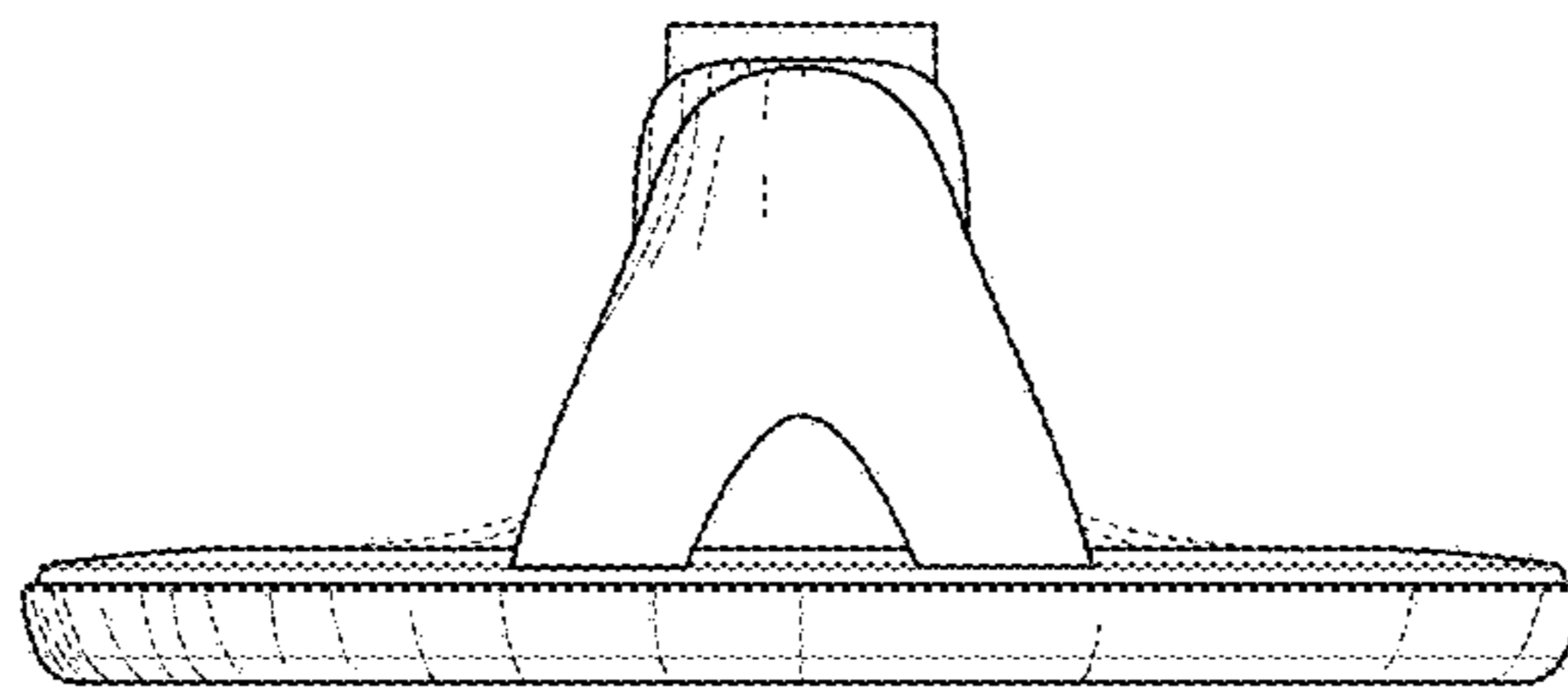


Fig. 7

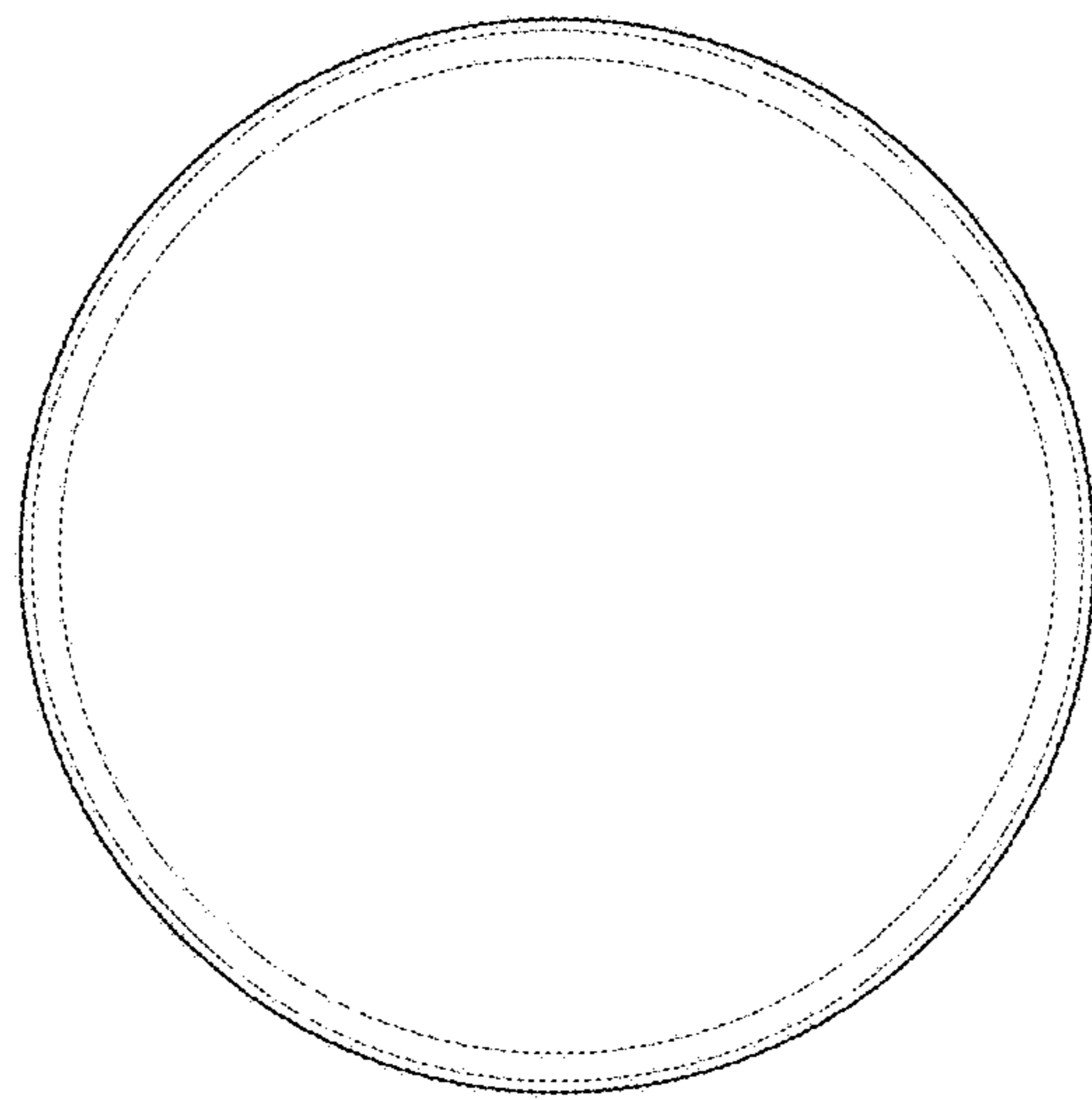


Fig. 8