



US00D841263S

(12) **United States Design Patent**
Kessler

(10) **Patent No.:** **US D841,263 S**
(45) **Date of Patent:** **** Feb. 19, 2019**

(54) **HORSE BIT WARMER**

(71) Applicant: **Heated Horse LLC**, Beverly Hills, MI (US)
(72) Inventor: **Anna Kessler**, Beverly Hills, MI (US)
(73) Assignee: **HEATED HORSE LLC**, Beverly Hills, MI (US)

(**) Term: **15 Years**

(21) Appl. No.: **29/664,765**

(22) Filed: **Sep. 27, 2018**

(51) **LOC (11) Cl.** **30-99**

(52) **U.S. Cl.**
USPC **D30/199; D3/226**

(58) **Field of Classification Search**
USPC D30/199, 161, 134, 152-154; 119/850, 119/174, 833, 712; D3/226-228, D3/230-233, 242, 243, 245, 247, D3/249-253, 269, 273-276, 283-285, D3/287, 288, 290, 299, 303, 321, 326, D3/328, 900-903, 18, 20, 26, 201, 203.1, D3/203.5-203.8, 205, 207-210, 212, 215, D3/218; 219/200, 201, 209, 385, 386, 219/390, 472-474, 528, 529, 538, 546, 219/548, 549; 54/1, 7, 8; 338/210-214; 34/202; 40/661.01, 661.02, 1.5, 1.6, 586, 40/640; 252/500; 294/31.2, 154; 224/191, 192, 250, 251, 162, 219, 232, 224/222, 240-247, 261, 267-269, 224/576-579, 645, 660, 668, 674-678,
(Continued)

(56) **References Cited**

U.S. PATENT DOCUMENTS

442,618 A * 12/1890 Greene 273/398
1,359,320 A * 11/1920 Koerber 150/132
(Continued)

OTHER PUBLICATIONS

“How to Use Your Bit Warmer”, <https://www.youtube.com/watch?v=-HGP99llsNA>; Dec. 1, 2016.

(Continued)

Primary Examiner — Susan Moon Lee

(74) *Attorney, Agent, or Firm* — Dinsmore & Shohl, LLP

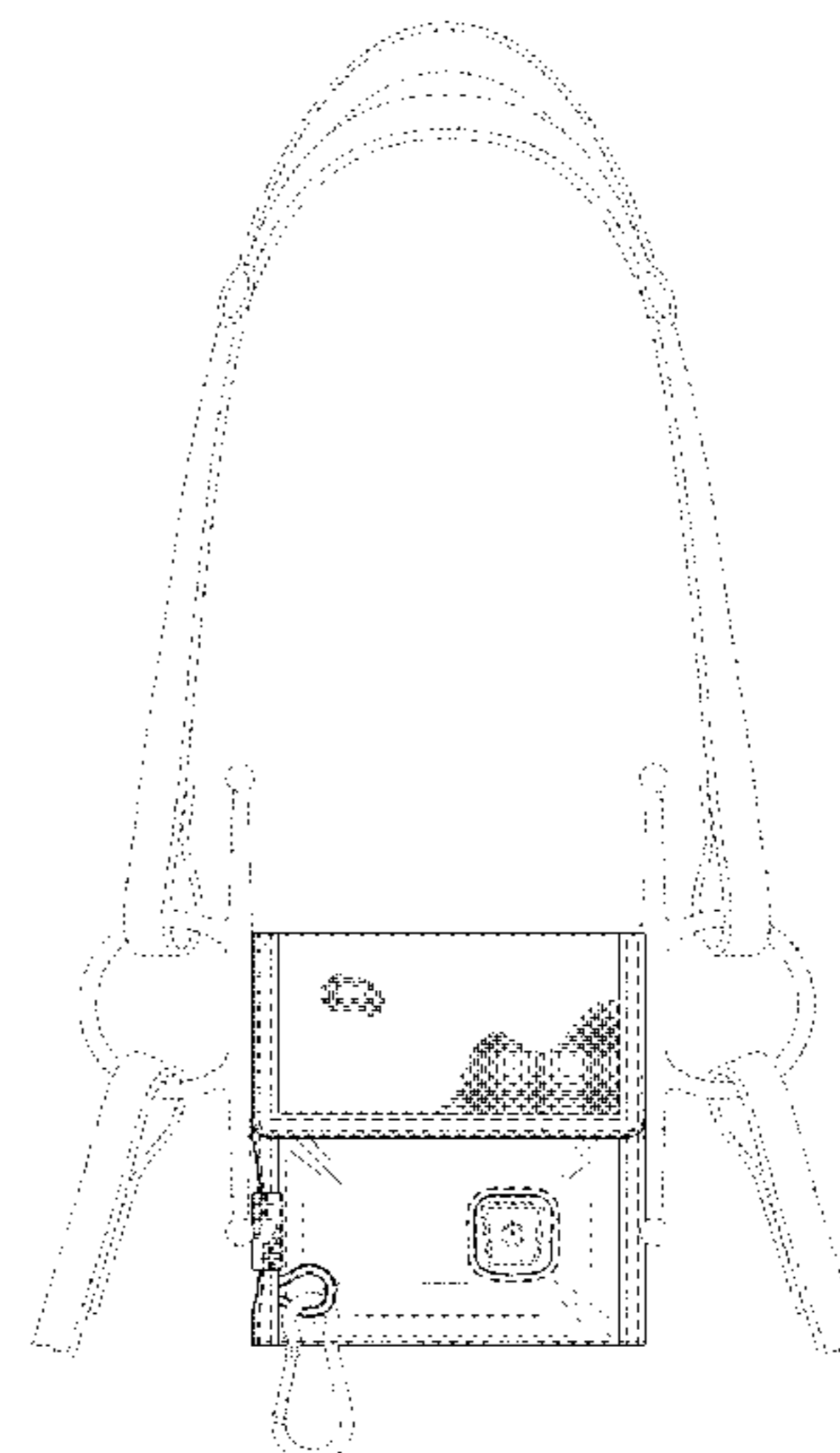
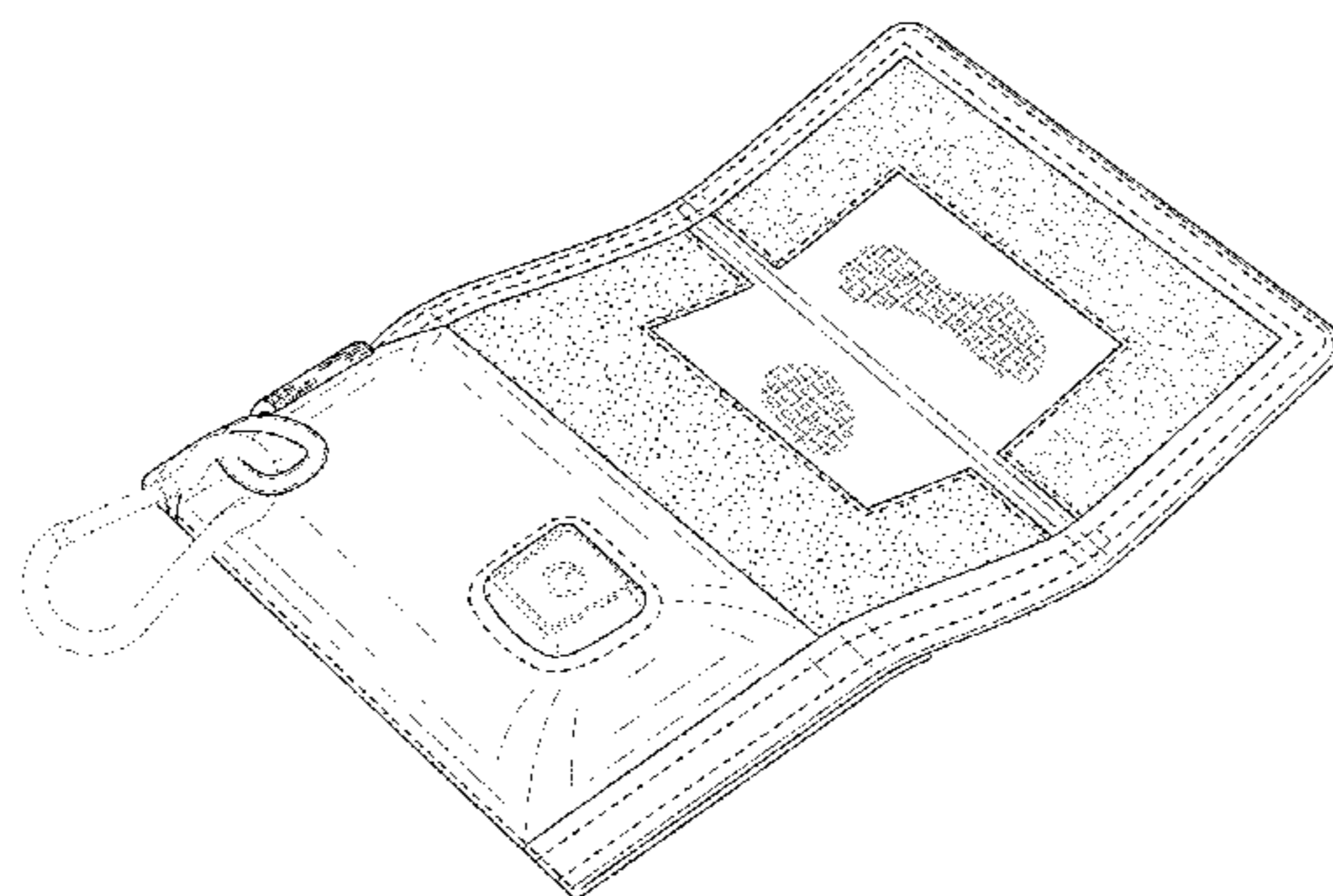
(57) **CLAIM**

The ornamental design for a horse bit warmer, as shown and described.

DESCRIPTION

FIG. 1 is a front perspective view of a horse bit warmer according to my new design, shown in an open configuration to receive a bit;
FIG. 2 is a back perspective view thereof;
FIG. 3 is a front perspective view of the horse bit warmer, shown in a closed configuration, wherein a portion of the back is also now visible on the front;
FIG. 4 is a back perspective view thereof;
FIG. 5 is a top plan view of the front of the horse bit warmer in an open configuration;
FIG. 6 is a top plan view of the back of the horse bit warmer in an open configuration;
FIG. 7 is an elevation view of a first side of the horse bit warmer;
FIG. 8 is an elevation view of an opposite side thereof;
FIG. 9 is a top plan view of the horse bit warmer;
FIG. 10 is a bottom plan view thereof; and,
FIG. 11 is an environmental front view of the horse bit warmer in a closed configuration, shown in use with an equine bridle-bit assembly.
The broken line showing of the carabiner, power button, and equine bit assembly depicts exemplary in-use elements for purposes of illustration, and forms no part of the design claim.

1 Claim, 9 Drawing Sheets



US D841,263 S

(58) **Field of Classification Search**

USPC 224/682, 684, 680, 604, 904, 911, 901.4,
 224/901.6, 929, 930; 150/100, 101, 107,
 150/112, 114, 131-136, 145-152;
 206/372-379

CPC B68B 1/06; B68B 5/00; B68B 9/00; B65D
 85/28; H05B 3/34; H05B 3/02; H05B
 3/145; H05B 3/16; H05B 3/18; A65C
 5/14; A65C 13/26; B25H 3/00; A45C
 1/04; A45C 3/00; A45C 11/00; A45C
 11/22; A45C 13/02; A45F 5/00; A45F
 5/02; A45F 5/021; A45F 2200/0516;
 A45F 2200/05; A45F 2200/0575; A45F
 3/04; A45F 3/005; A45F 3/14; A63F
 3/06; A63F 3/00895; A63F 5/00; A63F
 5/02

See application file for complete search history.

(56) **References Cited**

U.S. PATENT DOCUMENTS

2,479,472 A * 8/1949 Coplon A45C 11/04
 150/145

D161,571 S * 1/1951 Dauenhauer 224/163

D206,983 S * 2/1967 Knight 224/236

D223,315 S * 4/1972 Koerber D3/303

3,949,916 A * 4/1976 Yount

D241,189 S * 8/1976 Clark D3/227

4,139,914 A * 2/1979 Tarr A41D 27/20
 2/247

D259,072 S * 5/1981 Nice D3/227

D261,077 S * 10/1981 Loomis 224/615

D265,021 S * 6/1982 Hayman D3/247

D266,200 S * 9/1982 Berman 224/240

D266,201 S * 9/1982 Berman 224/240

D266,202 S * 9/1982 Berman D3/230

D266,203 S * 9/1982 Berman 224/240

D266,205 S * 9/1982 Berman 224/240

D270,265 S * 8/1983 Kircher D3/225

D270,303 S * 8/1983 Zautner D3/226

D273,344 S * 4/1984 Lee 224/222

4,602,390 A * 7/1986 Morera A41D 27/20
 2/247

4,731,883 A * 3/1988 Foster A41D 27/28
 2/247

D304,781 S * 11/1989 Hanson D6/629

D306,654 S * 3/1990 Brown

5,128,518 A * 7/1992 Reifel

D328,975 S * 9/1992 Arredondo D3/228

D332,866 S * 2/1993 Kopel D3/230

D332,871 S * 2/1993 Seber D3/220

D343,733 S * 2/1994 Brask D3/230

D352,824 S * 11/1994 Saggese, Jr. D3/215

D364,038 S * 11/1995 Stanchin D3/230

D373,900 S * 9/1996 Montgomery, Sr. D3/226

D374,984 S * 10/1996 Scott D3/228

D378,633 S * 4/1997 Granito D3/228

D380,606 S * 7/1997 Chen D3/226

D384,810 S * 10/1997 Kopel

5,724,698 A * 3/1998 Mondragon A47K 10/02
 15/209.1

D393,947 S * 5/1998 Alves et al.

D396,554 S * 8/1998 Roeder D3/232

D410,331 S * 6/1999 Hamilton D3/221

D410,773 S * 6/1999 Case D3/228

D416,676 S * 11/1999 Fitzgerald D3/226

D417,953 S * 12/1999 Guy D3/226

D423,211 S * 4/2000 Giliberti D3/226

D428,250 S * 7/2000 Reichardt D3/228

6,112,961 A * 9/2000 Phillips A45C 1/04
 150/131

D433,663 S * 11/2000 Bergh D12/415

D437,999 S * 2/2001 Williamson D3/228

D438,007 S * 2/2001 Holland D3/299

D438,008 S * 2/2001 Snider D3/299

D439,047 S * 3/2001 Holland D3/299

D442,781 S * 5/2001 Snider

6,244,486 B1 * 6/2001 Holland et al.

6,321,958 B1 * 11/2001 Erdmann A45C 1/04
 224/236

D473,715 S * 4/2003 Moldovan

D477,908 S * 8/2003 Mear D3/226

D482,195 S * 11/2003 Hansen D3/227

D484,689 S * 1/2004 Hansen D3/227

D485,982 S * 2/2004 Merkel D3/226

6,695,022 B2 * 2/2004 Morehead A45C 1/06
 150/102

D498,047 S * 11/2004 Giaquinto D3/226

D504,225 S * 4/2005 Giaquinto D3/226

D509,057 S * 9/2005 Bollig D3/226

D522,750 S * 6/2006 Girod D3/303

D529,283 S * 10/2006 Vivar D3/247

D533,996 S * 12/2006 Cassegrain D3/232

D550,451 S * 9/2007 Burlington D3/226

D552,847 S * 10/2007 Vivar D3/247

D553,350 S * 10/2007 Dvorak D3/217

D566,397 S * 4/2008 Jones

D572,467 S * 7/2008 Reichardt D3/228

D581,194 S * 11/2008 Poteat D6/606

D582,661 S * 12/2008 Katsos D3/201

D587,007 S * 2/2009 Phillips, III D3/216

D588,801 S * 3/2009 Cicione D3/228

D588,802 S * 3/2009 Cicione D3/228

D596,841 S * 7/2009 Rein et al.

D621,780 S * 8/2010 Ferber D13/108

D624,318 S * 9/2010 Williams D3/299

D624,455 S * 9/2010 Kelley D11/200

D632,078 S * 2/2011 Schmitz D3/299

D651,800 S * 1/2012 Scott D3/303

D657,547 S * 4/2012 Koppel D3/201

D659,992 S * 5/2012 May

D663,521 S * 7/2012 Raines D3/226

D666,416 S * 9/2012 Haywood

D666,806 S * 9/2012 Southard

D669,480 S * 10/2012 Piedra D14/440

D671,311 S * 11/2012 Bloch D3/220

D676,234 S * 2/2013 Moreau D3/228

D677,461 S * 3/2013 Farrell D3/226

D694,012 S * 11/2013 Hyzdu D3/303

D721,888 S * 2/2015 Nabet, Jr. D3/226

D724,315 S * 3/2015 Farrell D3/226

D730,047 S * 5/2015 Yi D3/247

D740,548 S * 10/2015 Hassler D3/218

D743,695 S * 11/2015 Hassler D3/228

D750,891 S * 3/2016 Lank

D753,387 S * 4/2016 Now D3/230

D767,879 S * 10/2016 McDowell D3/226

D772,567 S * 11/2016 Tappeiner D3/247

D772,568 S * 11/2016 Tappeiner D3/247

D772,569 S * 11/2016 Tappeiner D3/247

D773,181 S * 12/2016 Tappeiner D3/247

D782,186 S * 3/2017 Gellert D3/226

D790,722 S * 6/2017 Tyler D24/207

D797,443 S * 9/2017 Holmes D3/226

D799,212 S * 10/2017 Huante D3/303

D799,817 S * 10/2017 Roccisano D3/222

D804,178 S * 12/2017 Groning D3/299

D807,640 S * 1/2018 Goldszer D3/303

D808,170 S * 1/2018 Goldszer D3/303

9,861,511 B2 * 1/2018 Torres-Leon A61F 5/4408

D828,032 S * 9/2018 Brundage D3/303

D828,998 S * 9/2018 Moreau D3/228

D831,339 S * 10/2018 Villebro D3/226

D833,738 S * 11/2018 Whittington D3/226

2002/0056736 A1 * 5/2002 Conte A61H 3/02
 224/407

2006/0052855 A1 3/2006 Docherty et al.

(56)

References Cited

U.S. PATENT DOCUMENTS

2009/0114633 A1 5/2009 Naylor et al.
2011/0049131 A1 3/2011 Sturgess

OTHER PUBLICATIONS

“Bitten Bit Warmers”, <https://www.jefferspet.com/products/bitten-bit-warmers>, Dec. 13, 2011.

“Bit Blanket”, <http://www.bitblanket.com:80/>, Oct. 7, 2010.

“Bi-Fold Velcro Wallet”, <https://picclick.com/Vintage-Retro-80s-Nylon-Bi-Fold-Velcro-Wallet-Black-123254563568.html#&gid=1&pid=1>, Dec. 31, 1989.

* cited by examiner

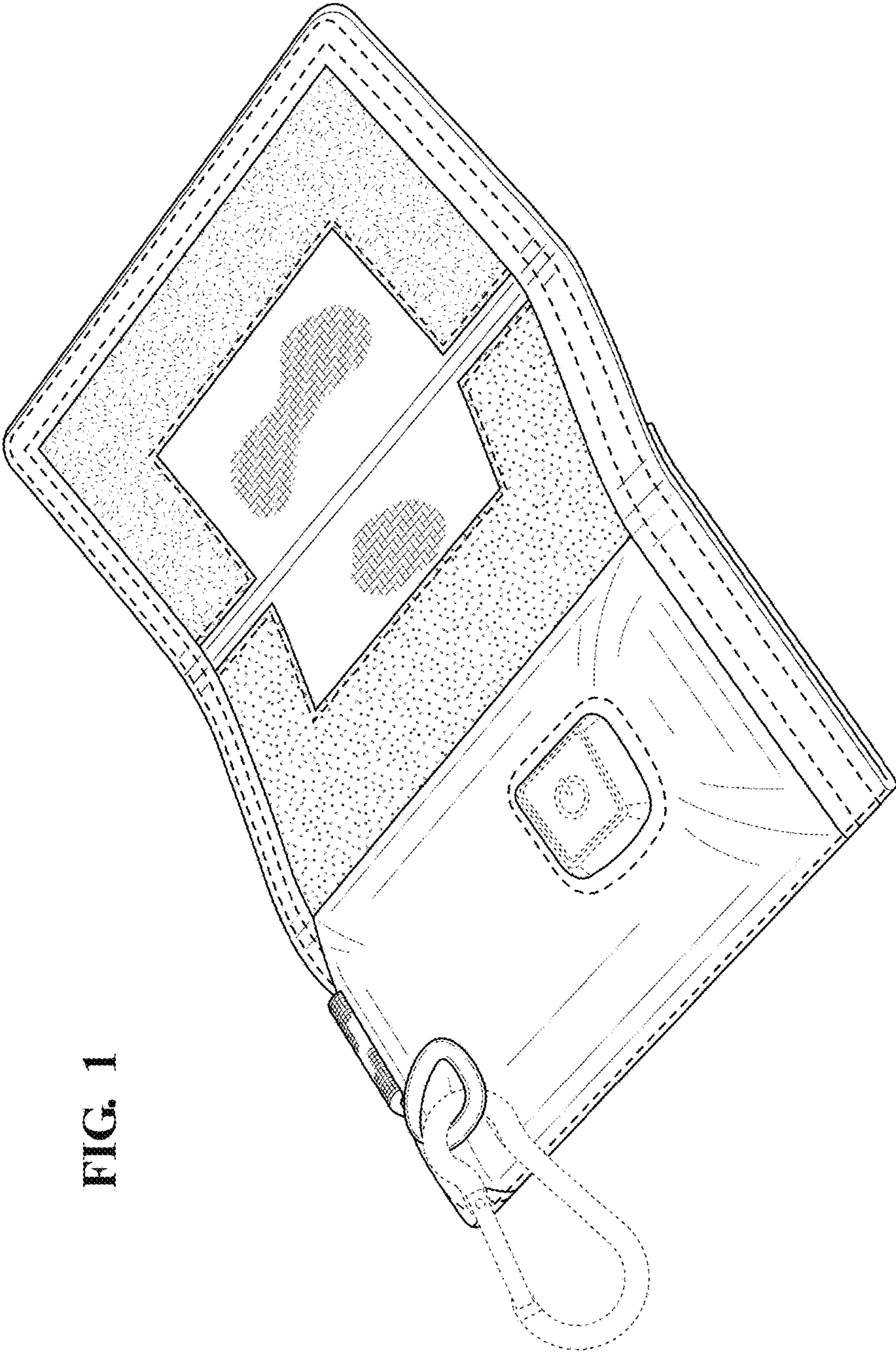


FIG. 1

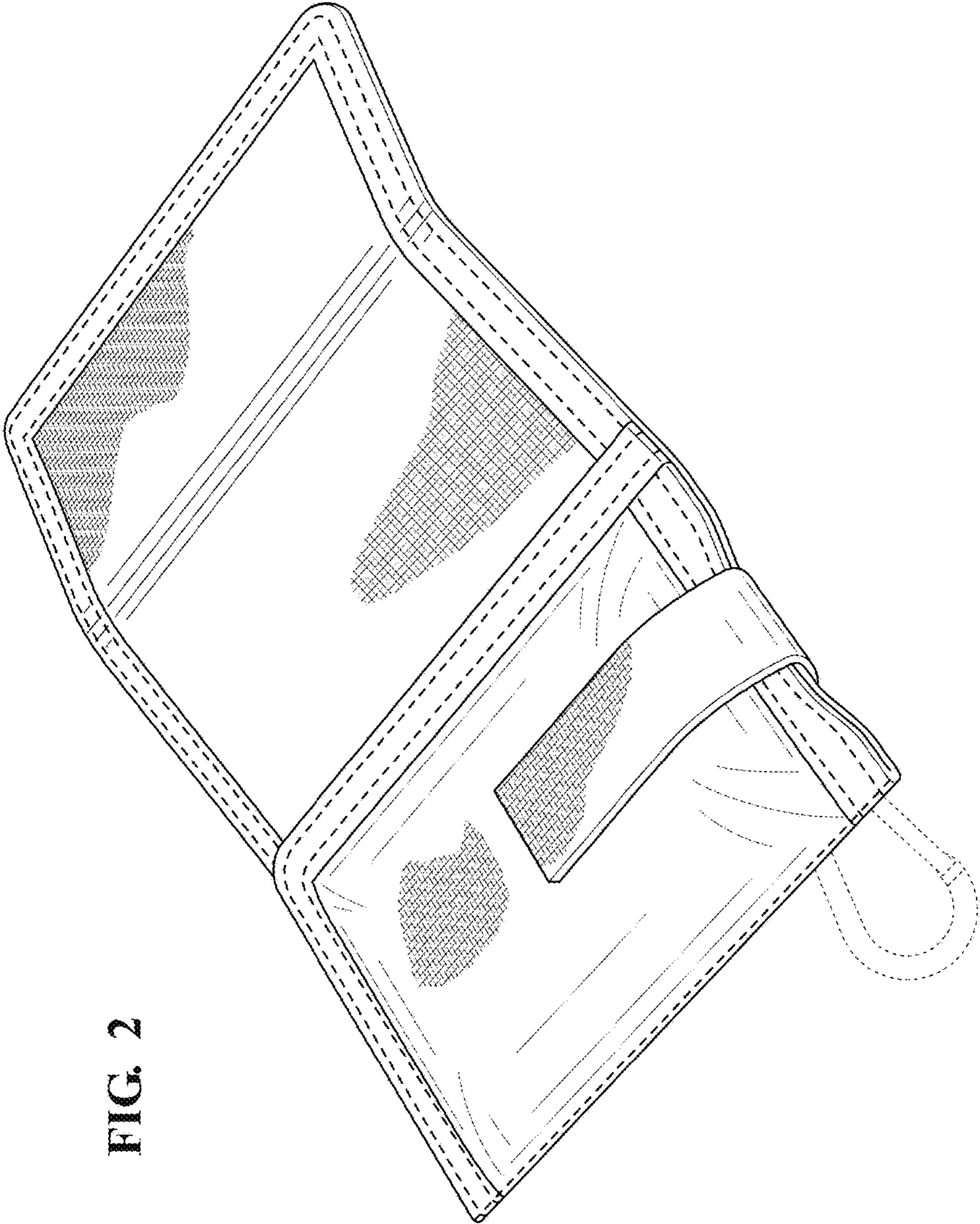


FIG. 2

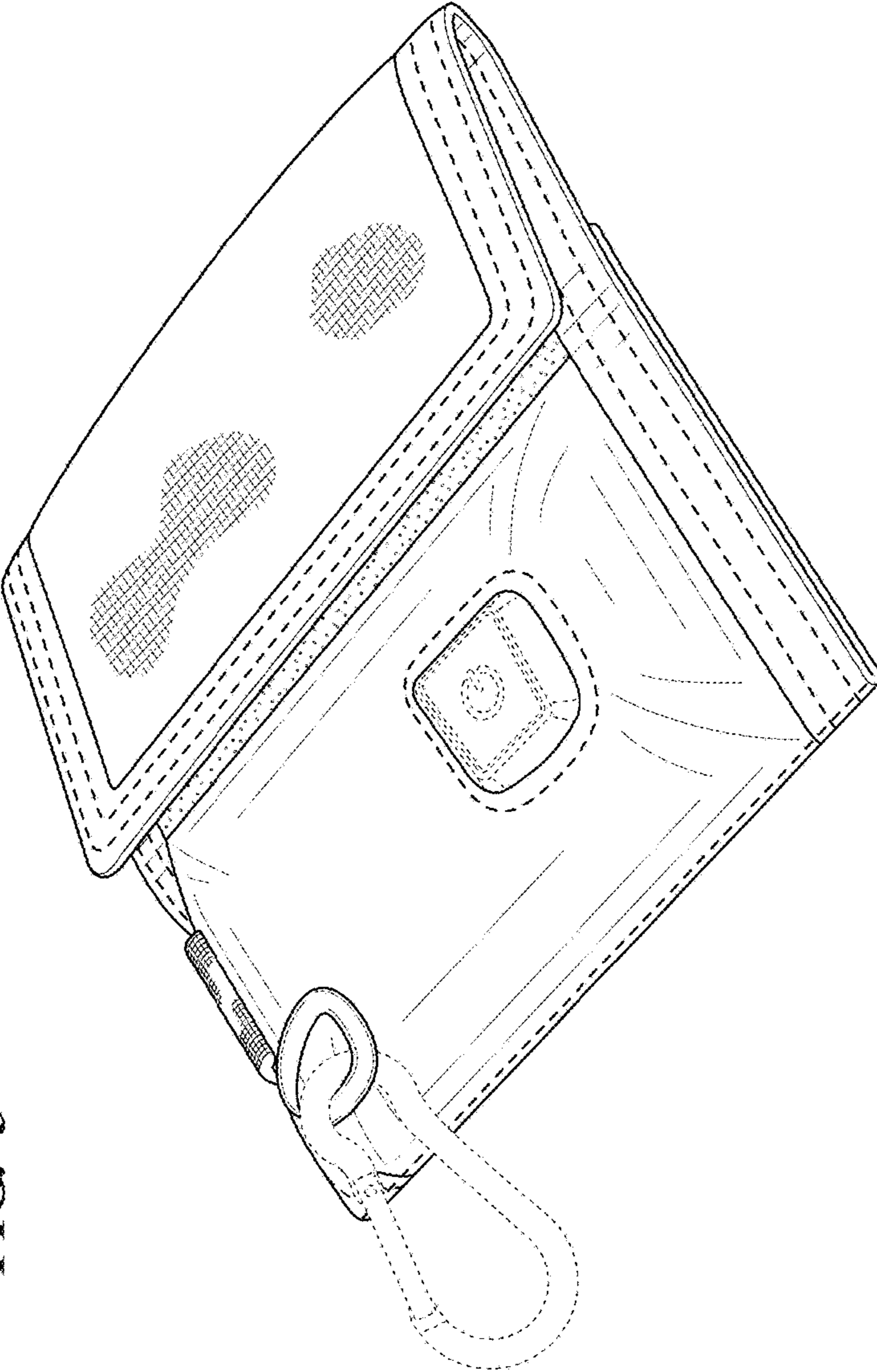


FIG. 3

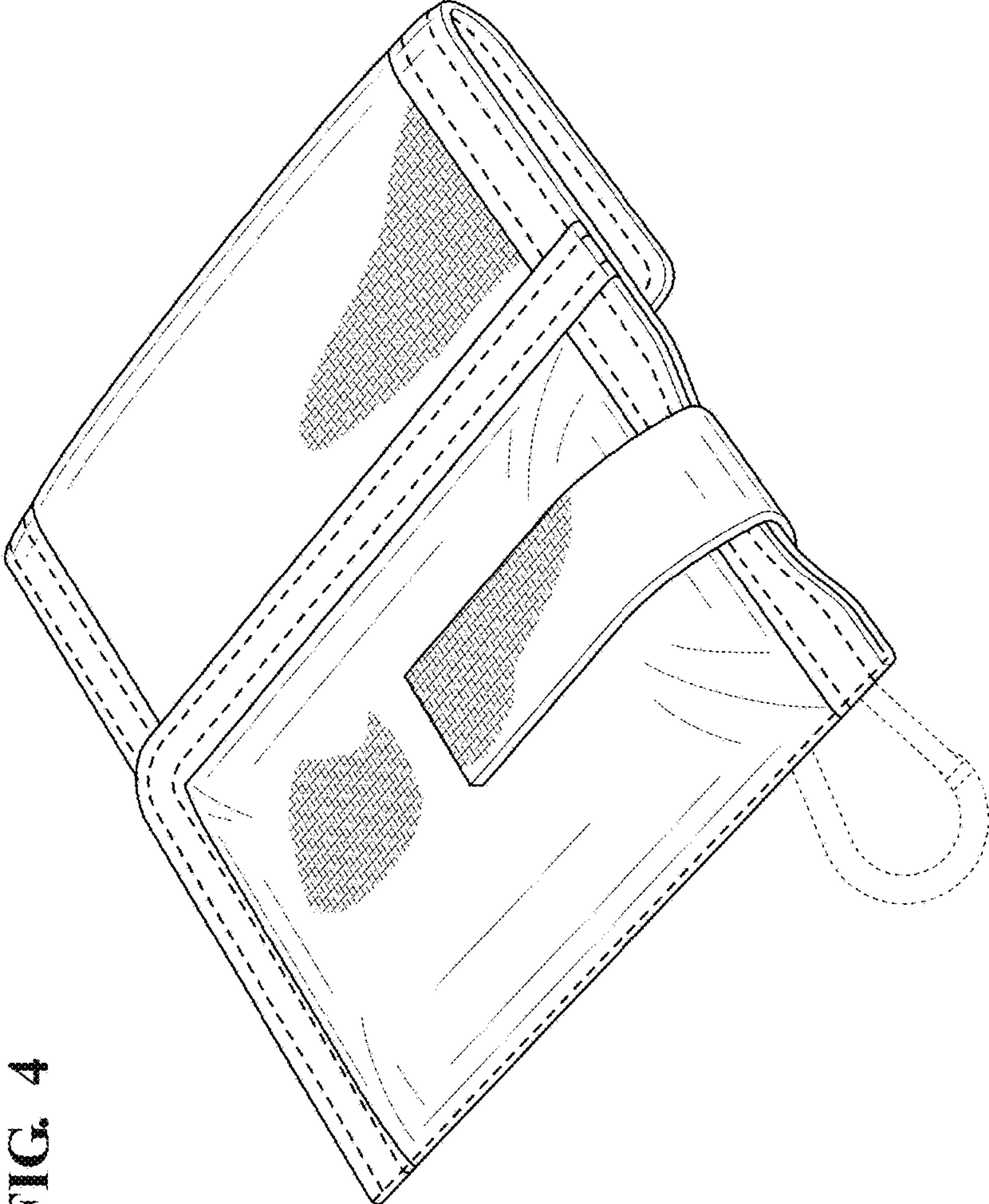


FIG. 4

FIG. 5

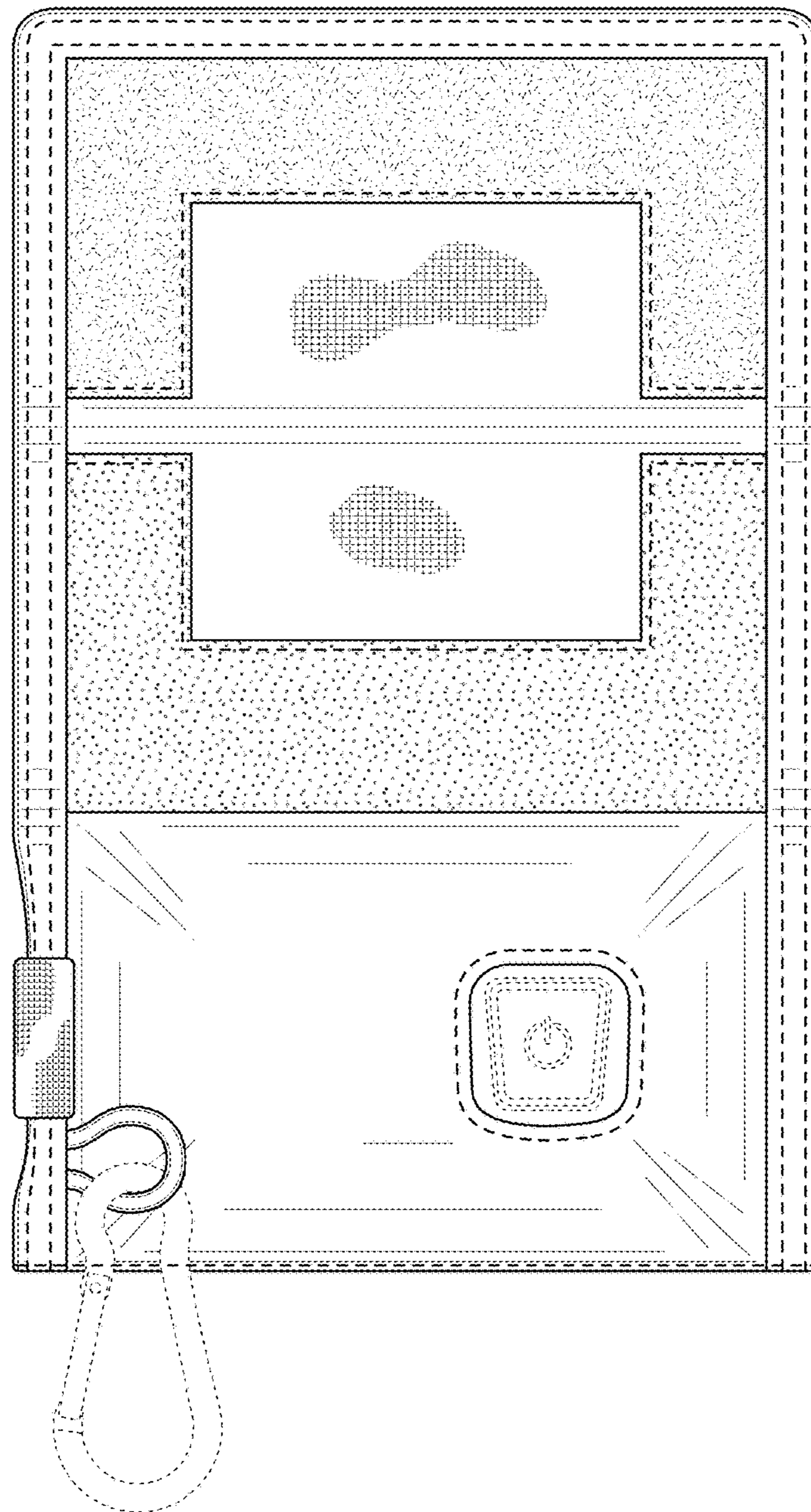


FIG. 6

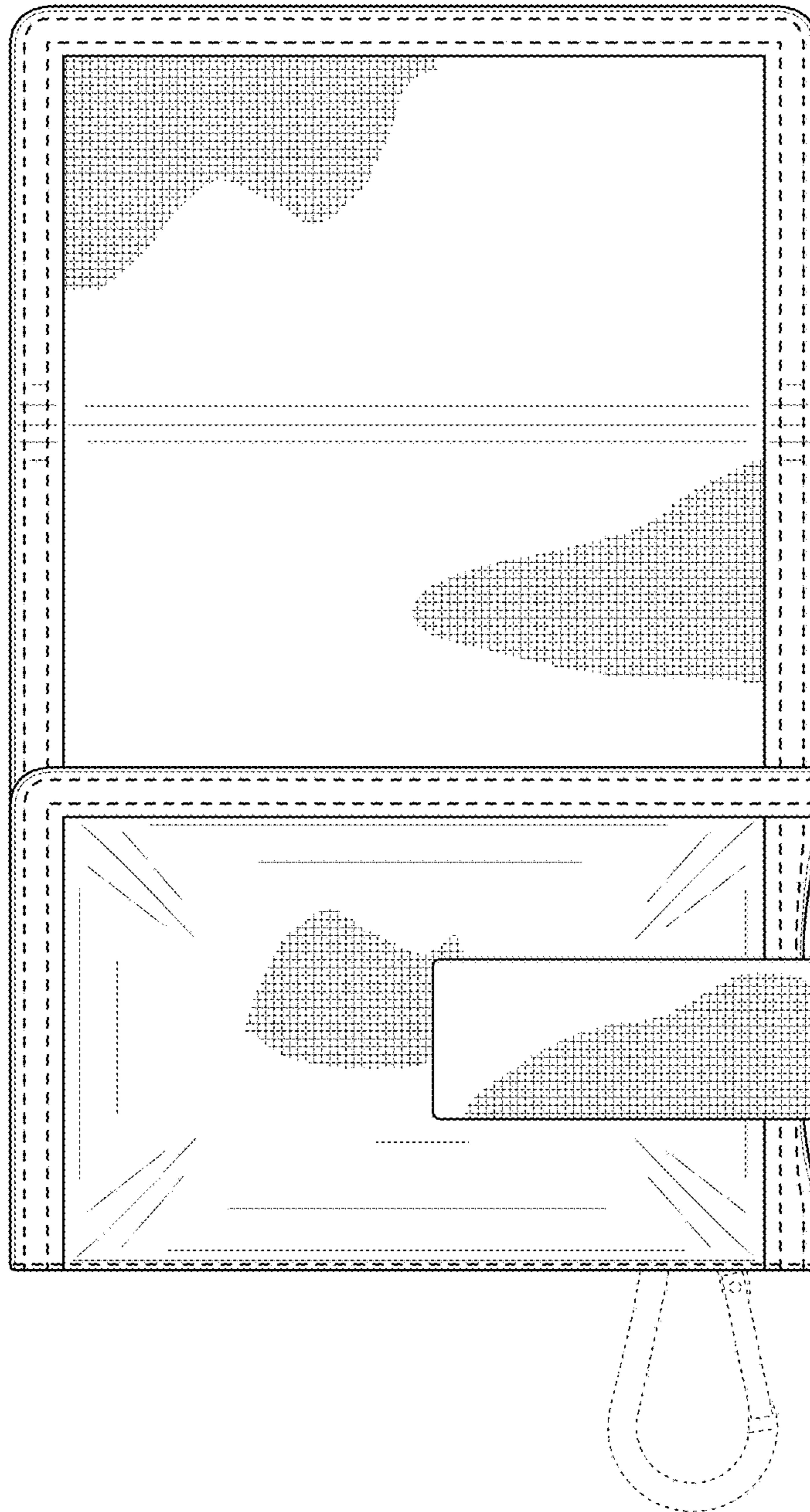


FIG. 7

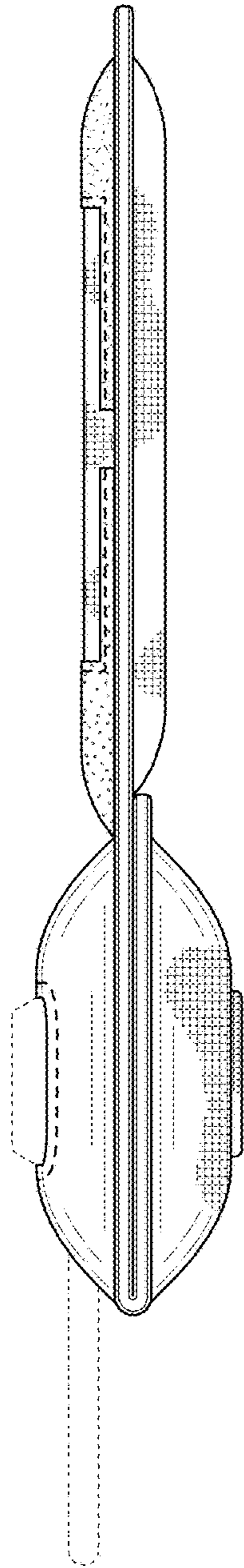
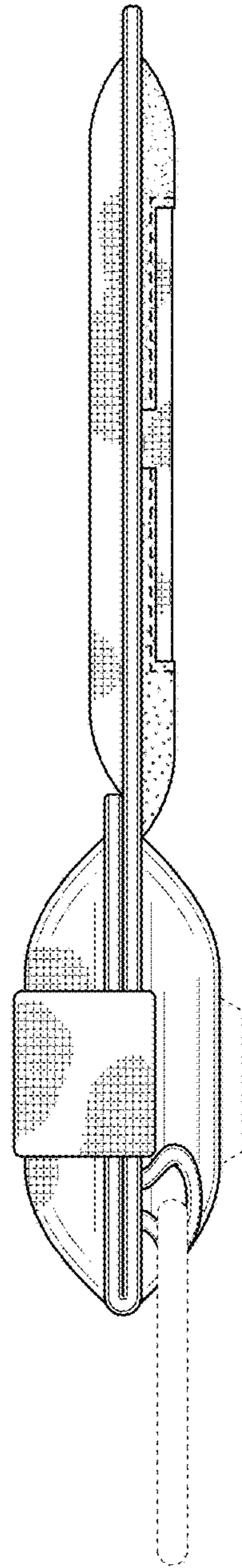


FIG. 8



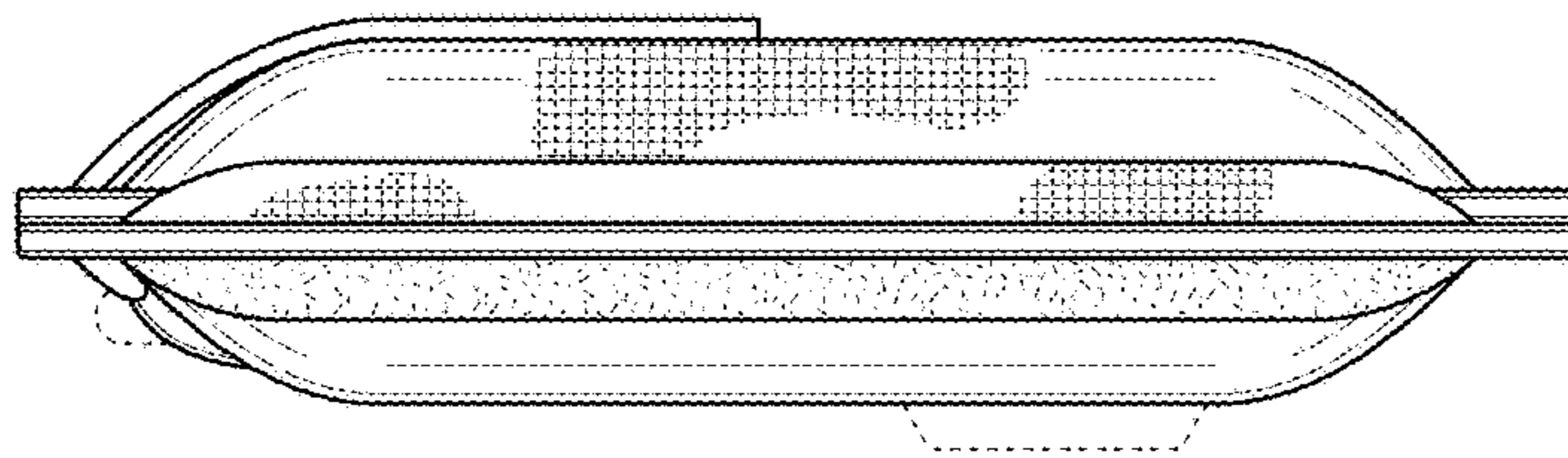


FIG. 9

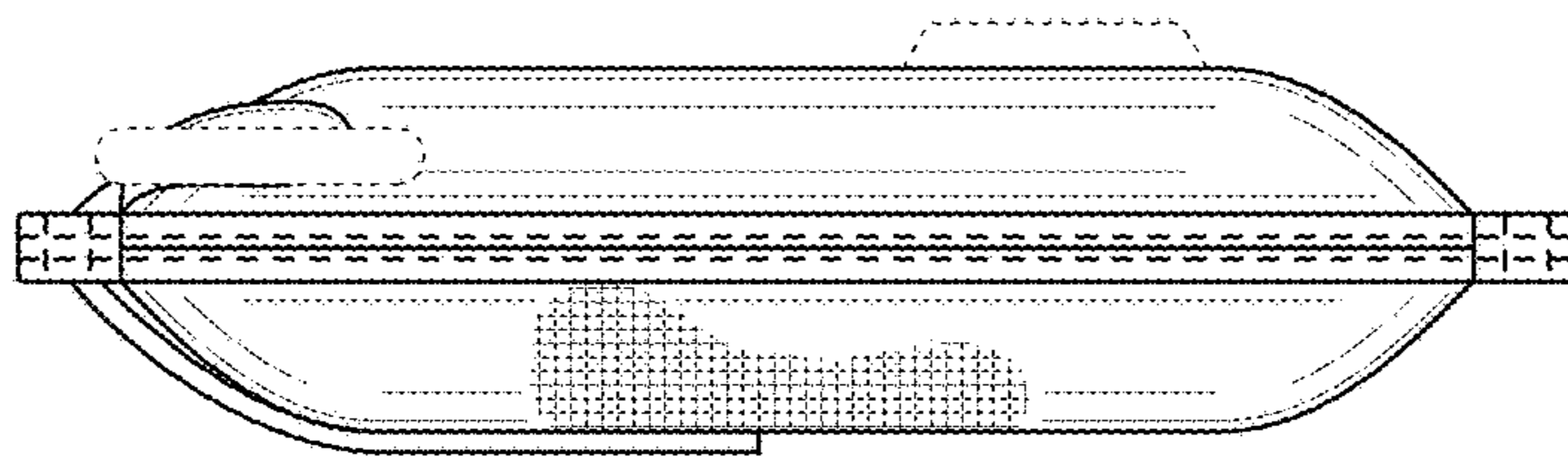


FIG. 10

FIG. 11

