



US00D841255S

(12) **United States Design Patent**
Moss

(10) **Patent No.:** **US D841,255 S**

(45) **Date of Patent:** **** Feb. 19, 2019**

(54) **LIPSTICK TESTER**

(71) Applicant: **Crystal Moss**, McKinney, TX (US)

(72) Inventor: **Crystal Moss**, McKinney, TX (US)

(**) Term: **15 Years**

(21) Appl. No.: **29/597,853**

(22) Filed: **Mar. 21, 2017**

Related U.S. Application Data

(63) Continuation of application No. 15/464,488, filed on Mar. 21, 2017.

(51) **LOC (11) Cl.** **28-03**

(52) **U.S. Cl.**
USPC **D28/99**

(58) **Field of Classification Search**
USPC D28/7, 8, 92, 93, 99; D9/457
CPC A45D 44/005; A45D 40/30
See application file for complete search history.

(56) **References Cited**

U.S. PATENT DOCUMENTS

1,990,630 A * 2/1935 Bensel A45D 44/005
132/333
2,017,538 A * 10/1935 Kaparin A45D 44/005
434/100

D278,604 S * 4/1985 Van Zandt D9/457
D278,982 S * 5/1985 Van Zandt D9/457
D299,878 S * 2/1989 Wienslaw D28/56
6,035,867 A * 3/2000 Barrick A45D 40/0087
132/319
6,807,970 B2 * 10/2004 Thayer A45D 44/005
132/200
D677,004 S * 2/2013 Cole D28/92
D698,091 S * 1/2014 Cole D28/92
D698,092 S * 1/2014 Cole D28/92
9,380,853 B2 * 7/2016 Ports A45D 44/005

* cited by examiner

Primary Examiner — Zenia I Bennett

(74) *Attorney, Agent, or Firm* — Vincent J. Allen;
Carstens & Cahoon, LLP

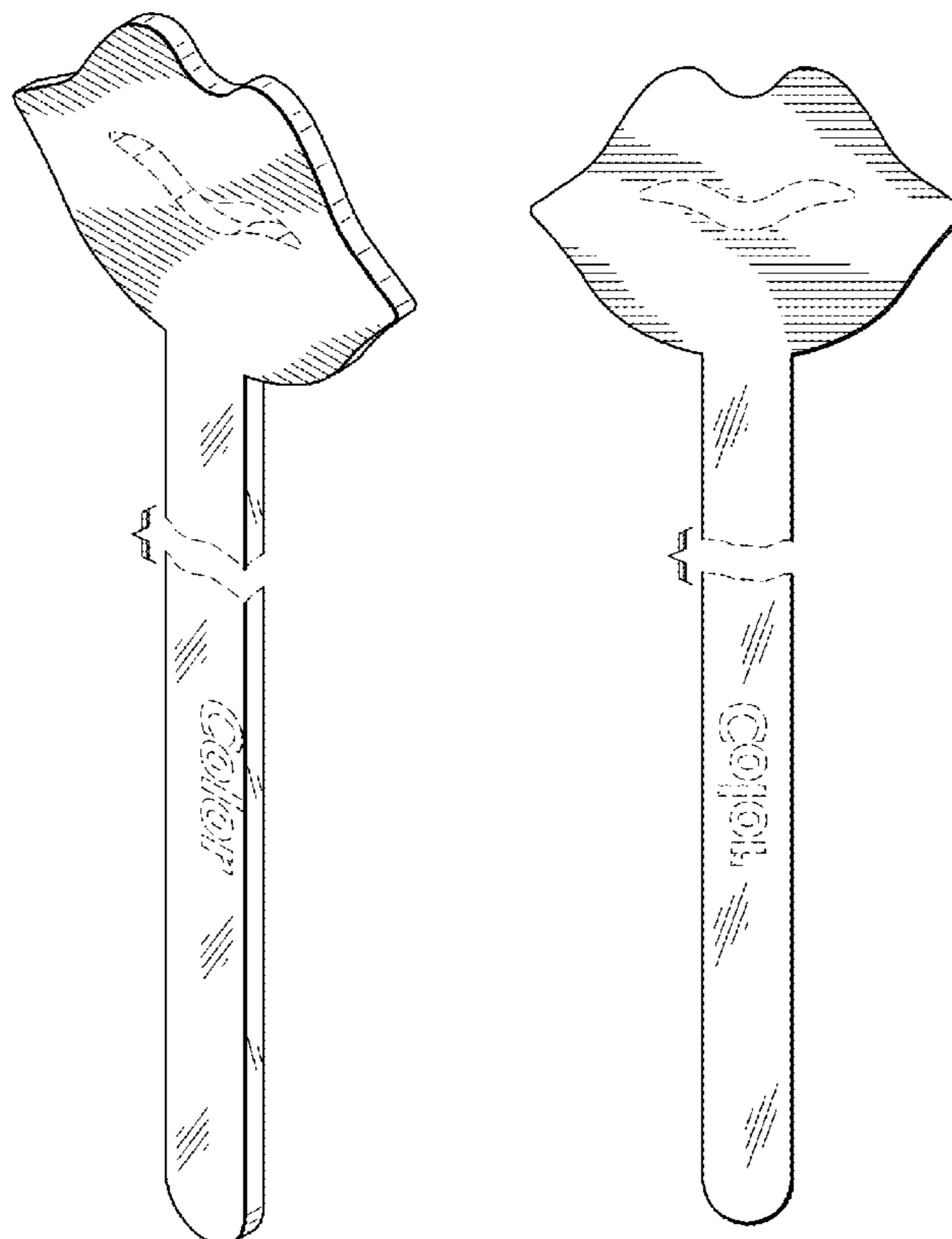
(57) **CLAIM**

The ornamental design for a lipstick tester, as shown and described.

DESCRIPTION

FIG. 1 is a perspective view of a lipstick tester; FIG. 2 is a right side view of the lipstick tester; FIG. 3 is a left side view of the lipstick tester; FIG. 4 is a back view of the lipstick tester; FIG. 5 is a front view of the lipstick tester; FIG. 6 is a top view of the lipstick tester; and, FIG. 7 is a bottom view of the lipstick tester.

1 Claim, 2 Drawing Sheets



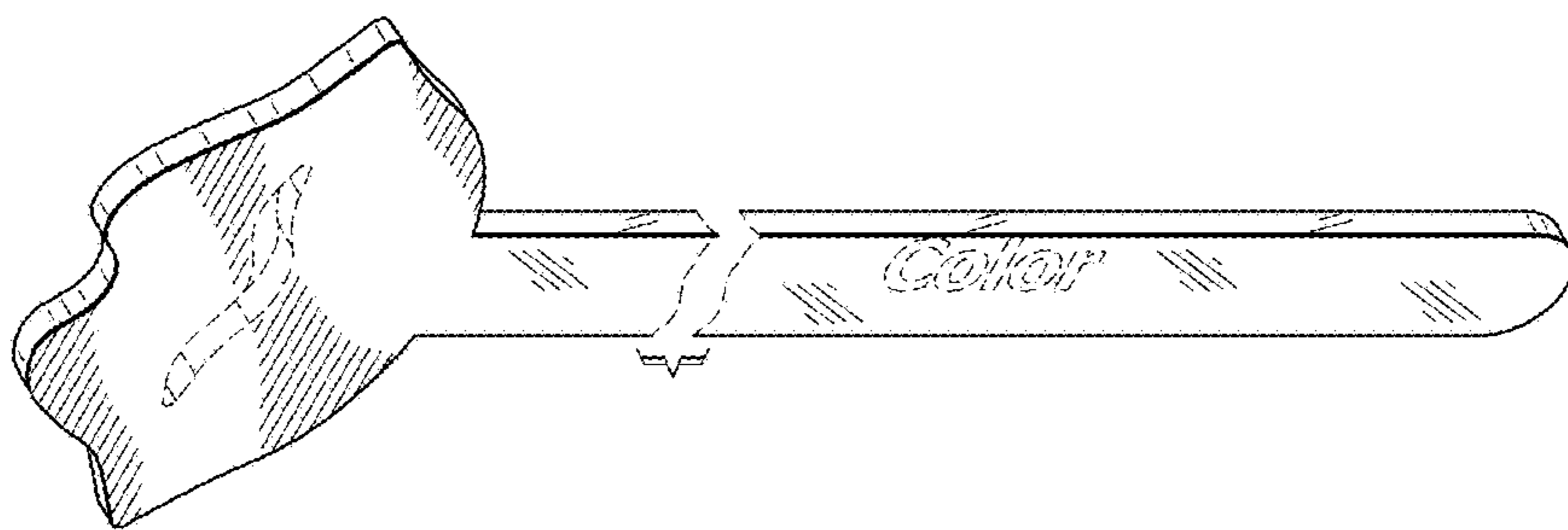


FIG. 1

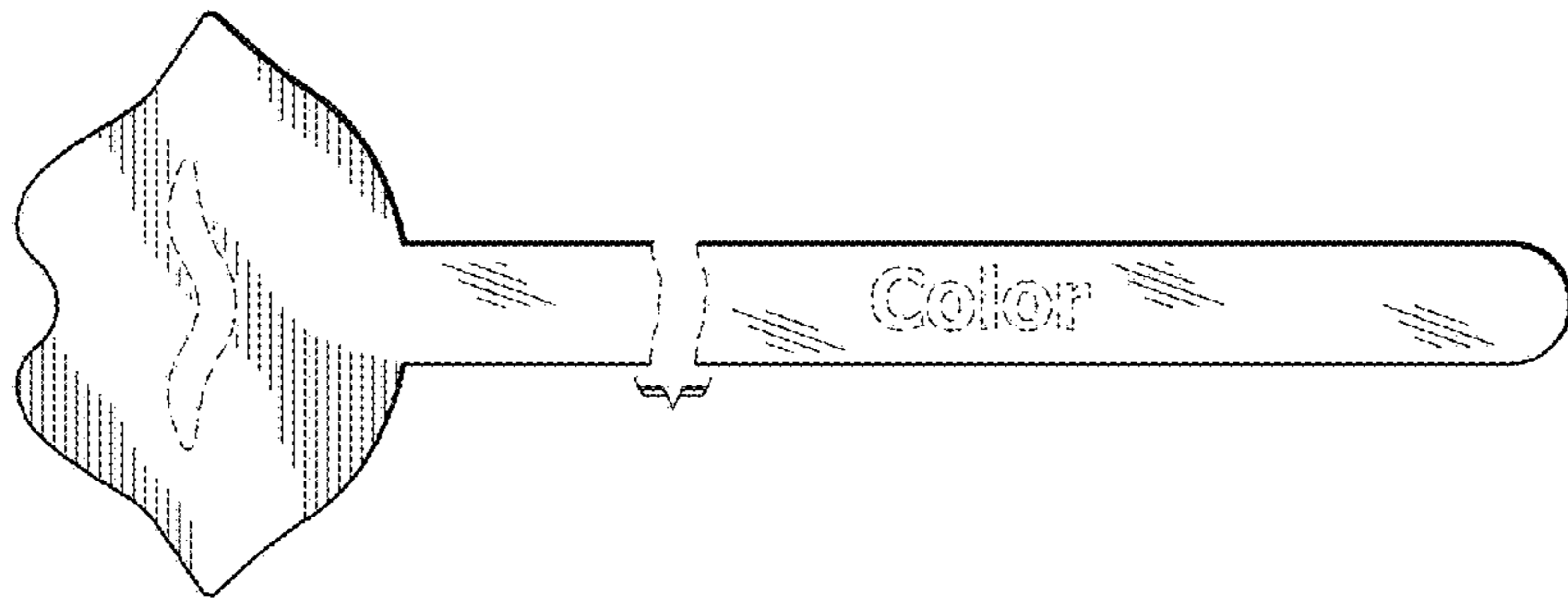


FIG. 2

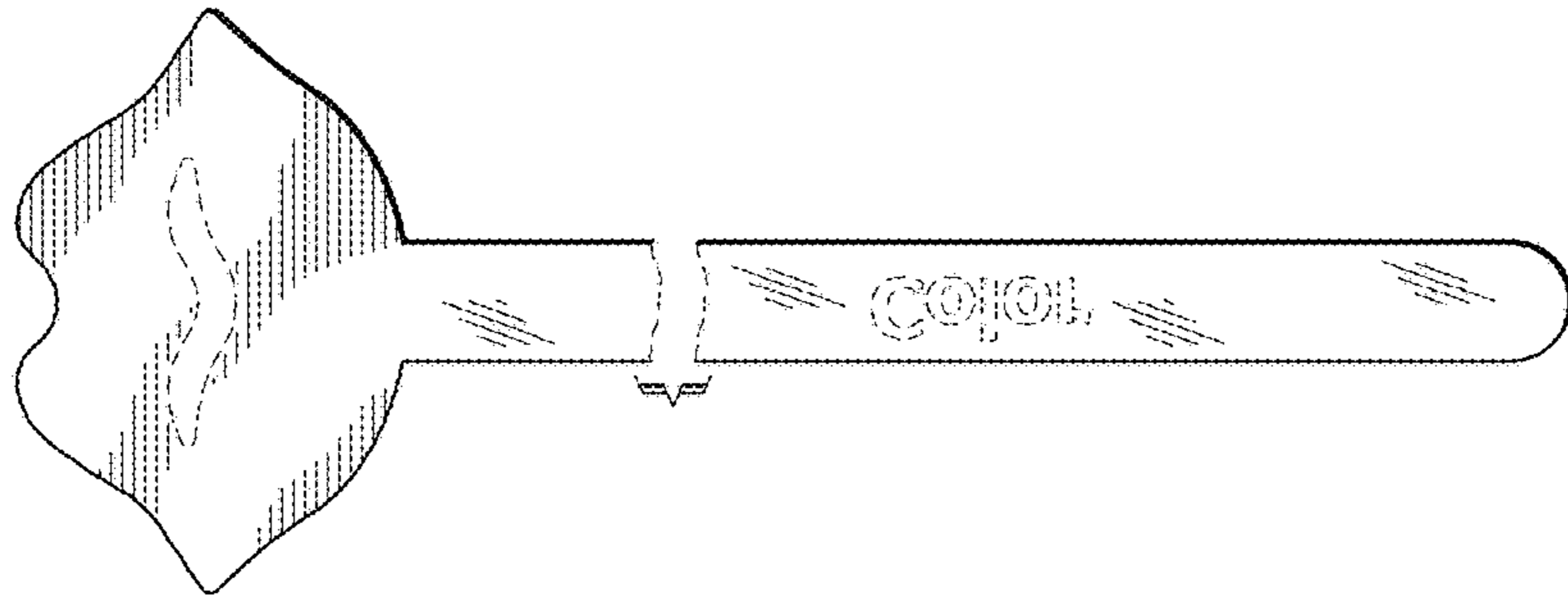


FIG. 3

