



US00D841250S

(12) **United States Design Patent** (10) **Patent No.:** **US D841,250 S**  
**Gobber et al.** (45) **Date of Patent:** **\*\* Feb. 19, 2019**

(54) **PEDICURE TOOL**

(56) **References Cited**

(71) Applicant: **ZOBELE HOLDING SPA**, Trento (IT)

U.S. PATENT DOCUMENTS

(72) Inventors: **Cedric Gobber**, Barcelona (ES);  
**Joaquim Llorente Alonso**, Barcelona (ES)

D317,367 S *	6/1991	Fujisawa	.....	D28/58
D418,944 S *	1/2000	Choi	.....	D28/58
D452,589 S *	12/2001	Lie	.....	D28/58
D603,561 S *	11/2009	Cho	.....	D28/58
D766,508 S *	9/2016	Wang	.....	D24/133
D768,931 S *	10/2016	Langberg	.....	D28/58
D769,529 S *	10/2016	Langberg	.....	D28/58
D781,497 S *	3/2017	Butler	.....	D28/58
2015/0150352 A1 *	6/2015	Yiu	.....	A45D 29/05 132/75.8

(73) Assignee: **ZOBELE HOLDING S.P.A.**, Trento (IT)

(\*\*) Term: **15 Years**

(21) Appl. No.: **35/503,938**

\* cited by examiner

(22) Filed: **May 10, 2017**

*Primary Examiner* — George D. Kirschbaum

(80) **Hague Agreement Data**

(74) *Attorney, Agent, or Firm* — Ostrolenk Faber LLP

Int. Filing Date: **May 10, 2017**  
Int. Reg. No.: **DM/095999**  
Int. Reg. Date: **May 10, 2017**  
Int. Reg. Pub. Date: **Nov. 10, 2017**

(57) **CLAIM**

The ornamental design for a pedicure tool, as shown and described.

(30) **Foreign Application Priority Data**

**DESCRIPTION**

Nov. 10, 2016 (ES) ..... D0524409

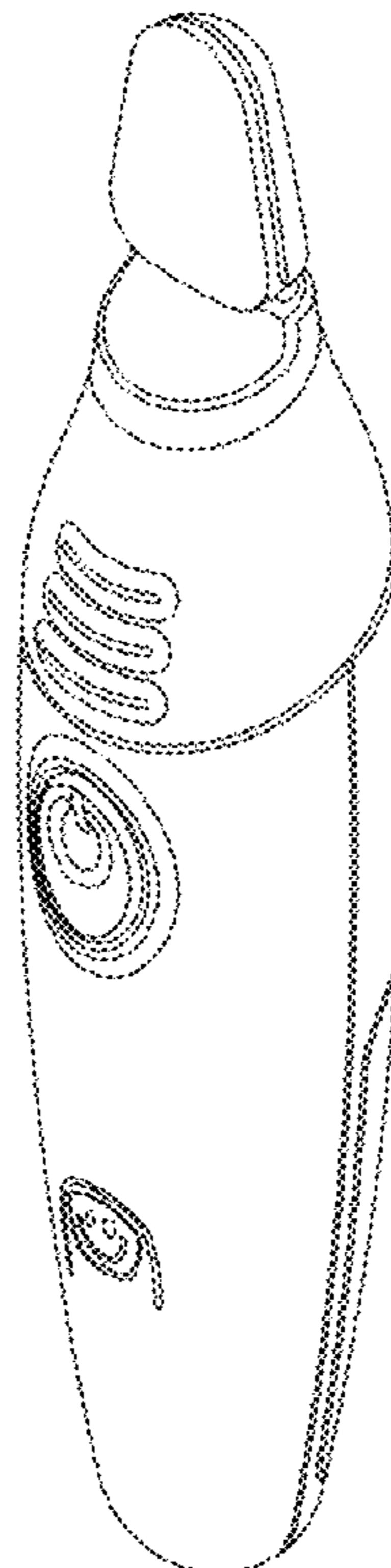
(51) **LOC (11) Cl.** ..... **28-03**

(52) **U.S. Cl.**  
USPC ..... **D28/58**

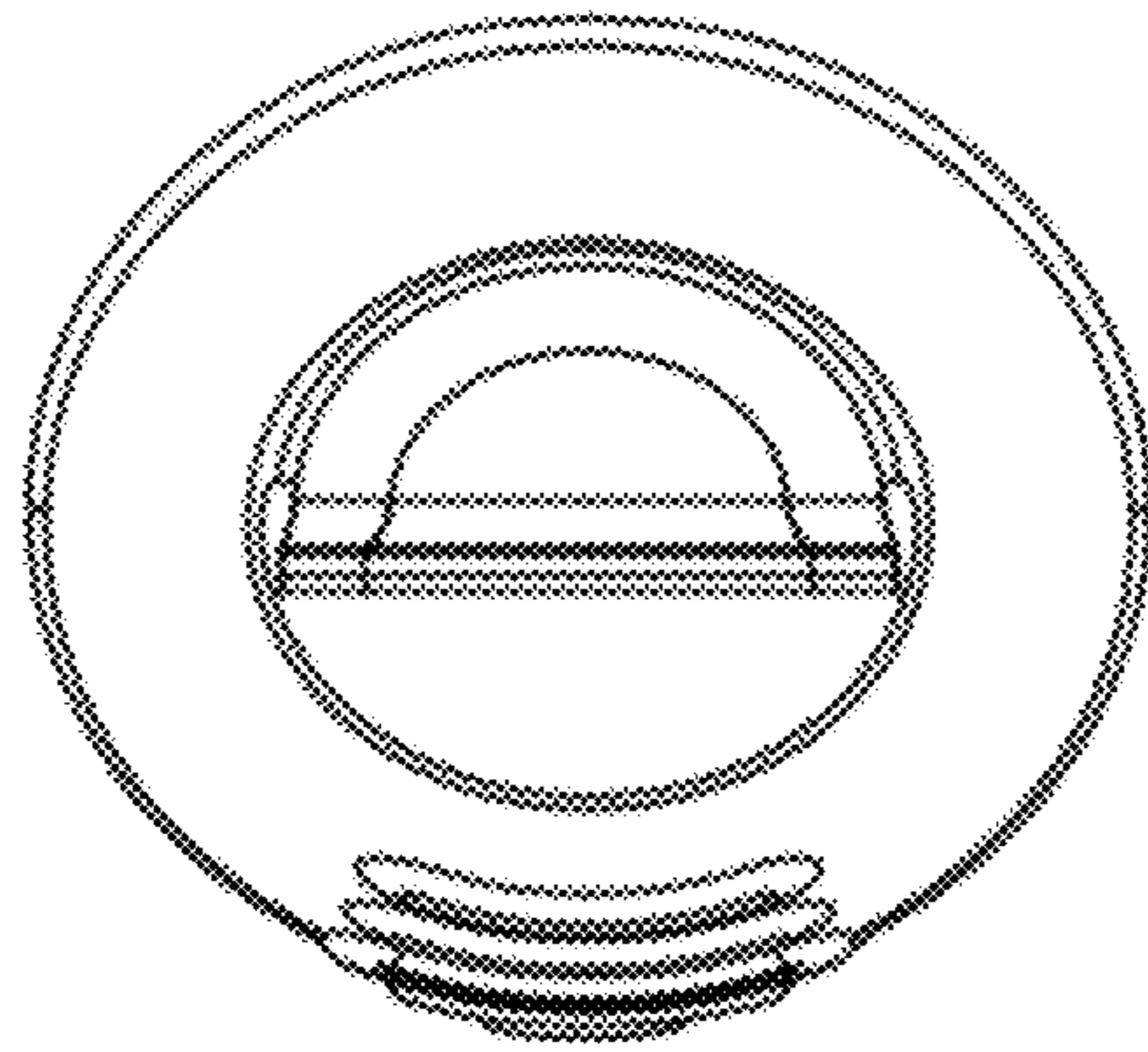
(58) **Field of Classification Search**  
USPC ..... D28/58; D24/133  
CPC ..... A45D 29/05  
See application file for complete search history.

1. Pedicure tool
- 1.1 is a top view.
- 1.2 is a bottom view.
- 1.3 is a left view.
- 1.4 is a right side view.
- 1.5 is a front side view.
- 1.6 is a perspective view.

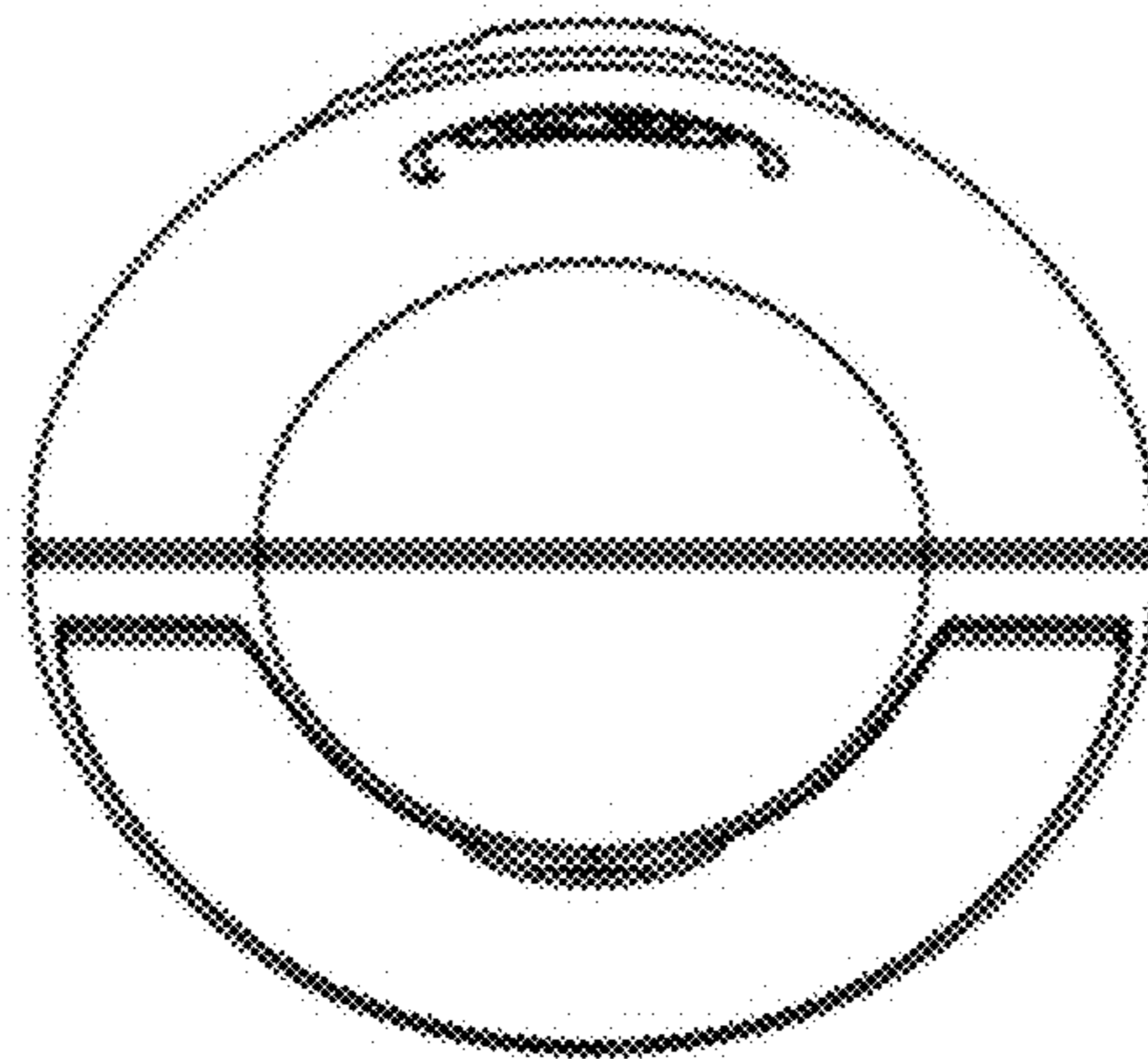
**1 Claim, 6 Drawing Sheets**



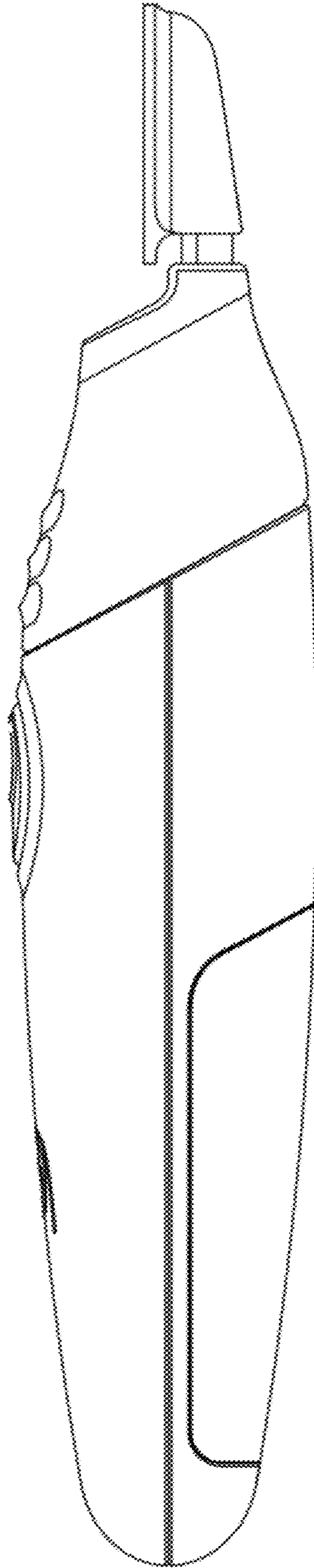
**1.1**



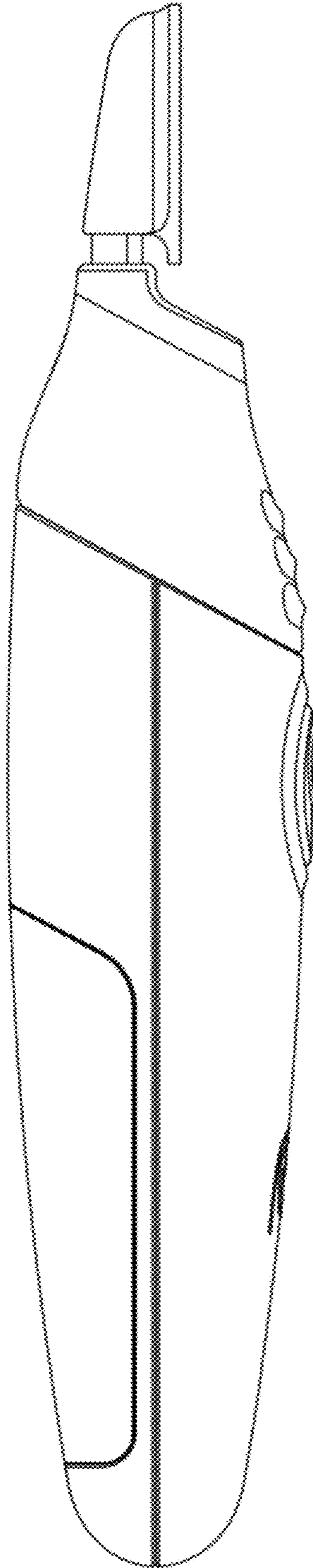
1.2



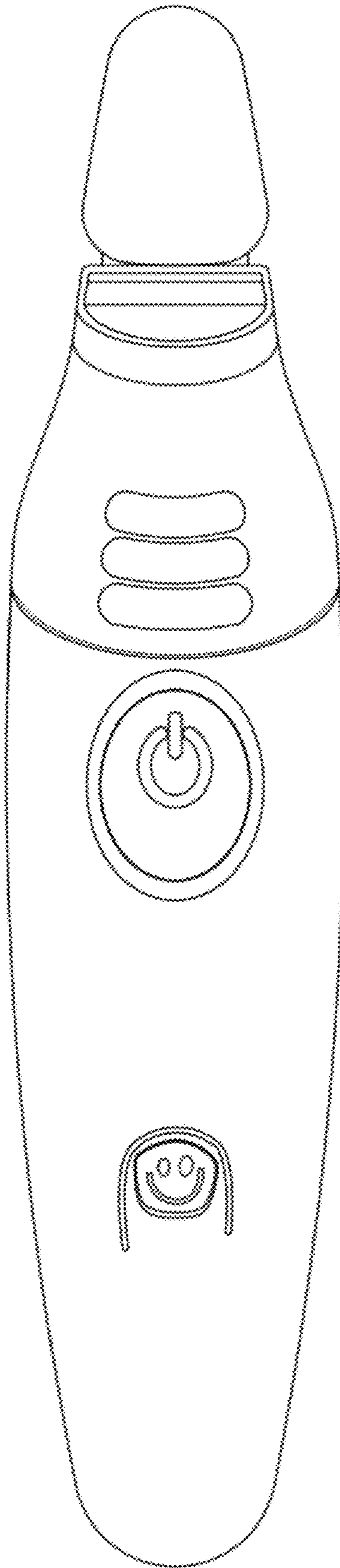
1.3



1.4



1.5





1.6

