



US00D841249S

(12) **United States Design Patent**  
**Luo**

(10) **Patent No.:** **US D841,249 S**  
(45) **Date of Patent:** **\*\* Feb. 19, 2019**

(54) **FOOT DRYER**

(71) Applicant: **L&C Technology International, Inc,**  
Marietta, GA (US)

(72) Inventor: **Hao Luo,** Marietta, GA (US)

(73) Assignee: **L&C Technology International, Inc,**  
Marietta, GA (US)

(\*\*) Term: **15 Years**

(21) Appl. No.: **29/631,142**

(22) Filed: **Dec. 27, 2017**

(51) **LOC (11) Cl.** ..... **28-03**

(52) **U.S. Cl.**  
USPC ..... **D28/58; D23/332; D28/54.1**

(58) **Field of Classification Search**  
USPC ..... 222/129, 361, 416, 146.5; 134/34, 99.2;  
68/5 R, 12.18, 12.19, 17 R, 235 R;  
D32/1, 2, 28, 29.1; 34/90, 91, 96, 97,  
34/202, 343; 392/383  
CPC ..... D06F 39/022; D06F 39/02; D06F 29/00;  
D06F 39/028; D06F 58/10; D06F 39/125;  
D06F 29/005; G01F 11/18; Y10T  
137/0424; A47K 10/48; F26B 9/003  
See application file for complete search history.

(56) **References Cited**

**U.S. PATENT DOCUMENTS**

D334,798 S *	4/1993	Levien .....	D23/255
D538,976 S *	3/2007	Navas .....	D23/335
D616,973 S *	6/2010	Maegawa .....	D23/342
D622,526 S *	8/2010	Dai .....	D6/542
8,201,344 B2 *	6/2012	Sawabe .....	A47K 10/48 132/73.5
D703,380 S *	4/2014	Lee .....	D28/54.1
D714,429 S *	9/2014	Bursztein .....	D23/332
D722,147 S *	2/2015	Lewis .....	D23/332

D785,757 S *	5/2017	Murray .....	D23/238
9,890,997 B2 *	2/2018	Montes .....	F26B 21/004
D827,203 S *	8/2018	Ouyang .....	D28/58
2013/0232808 A1 *	9/2013	Liu .....	A47K 10/48 34/90

(Continued)

**FOREIGN PATENT DOCUMENTS**

CN	302675105	* 12/2013
CN	303999400	* 1/2017

(Continued)

**OTHER PUBLICATIONS**

Touchless Soap Dispenser posted by Paraponera posted date Apr. 24, 2017, © Amazon, [online], [site visited Sep. 27, 2018]. Available from Internet, <https://www.amazon.co.uk/Paraponera-Automatic-Touchless-Dispenser-Waterproff/dp/B071RLFC37> (Year: 2017).\*

(Continued)

*Primary Examiner* — Cynthia Ramirez  
*Assistant Examiner* — Laura H Yu

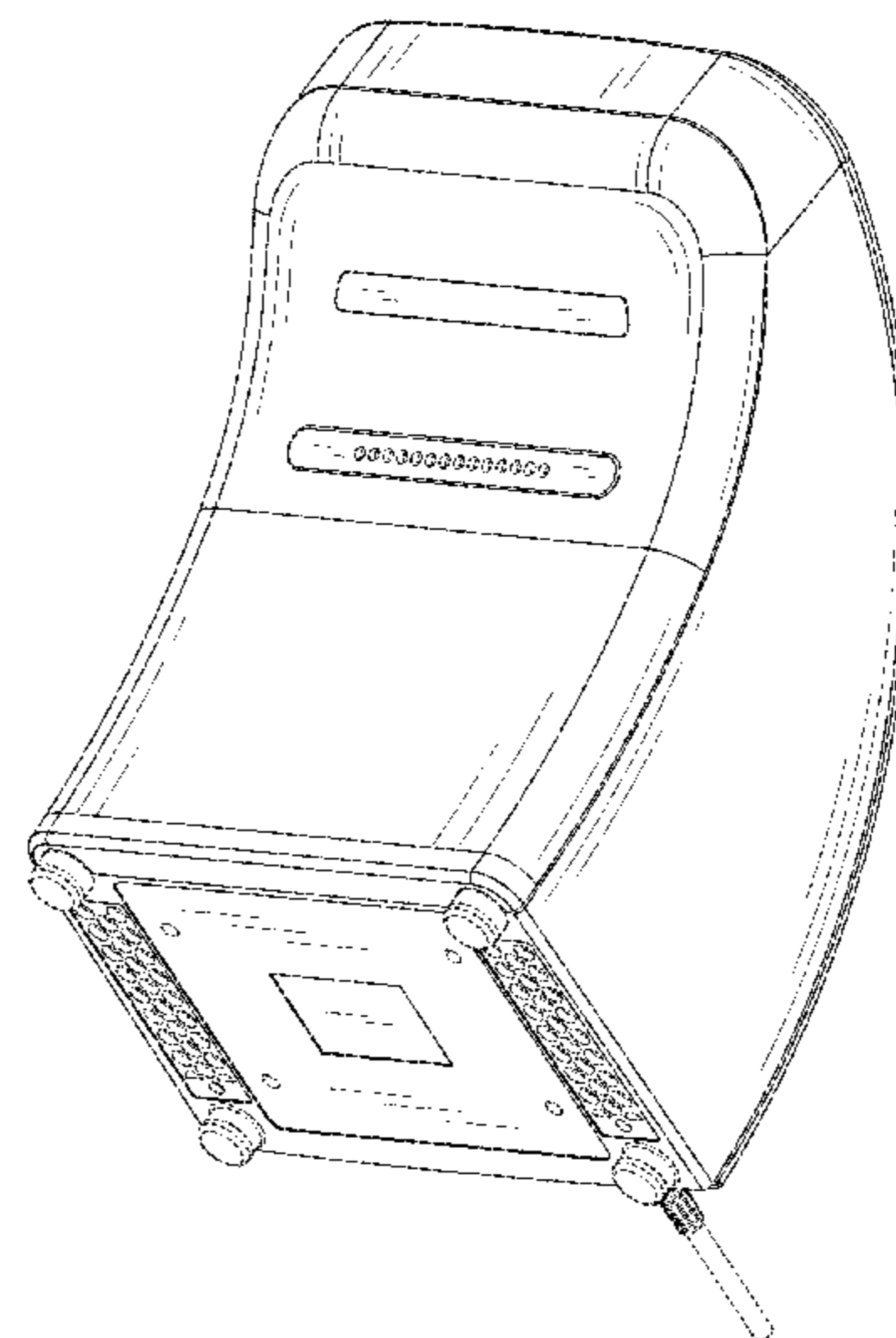
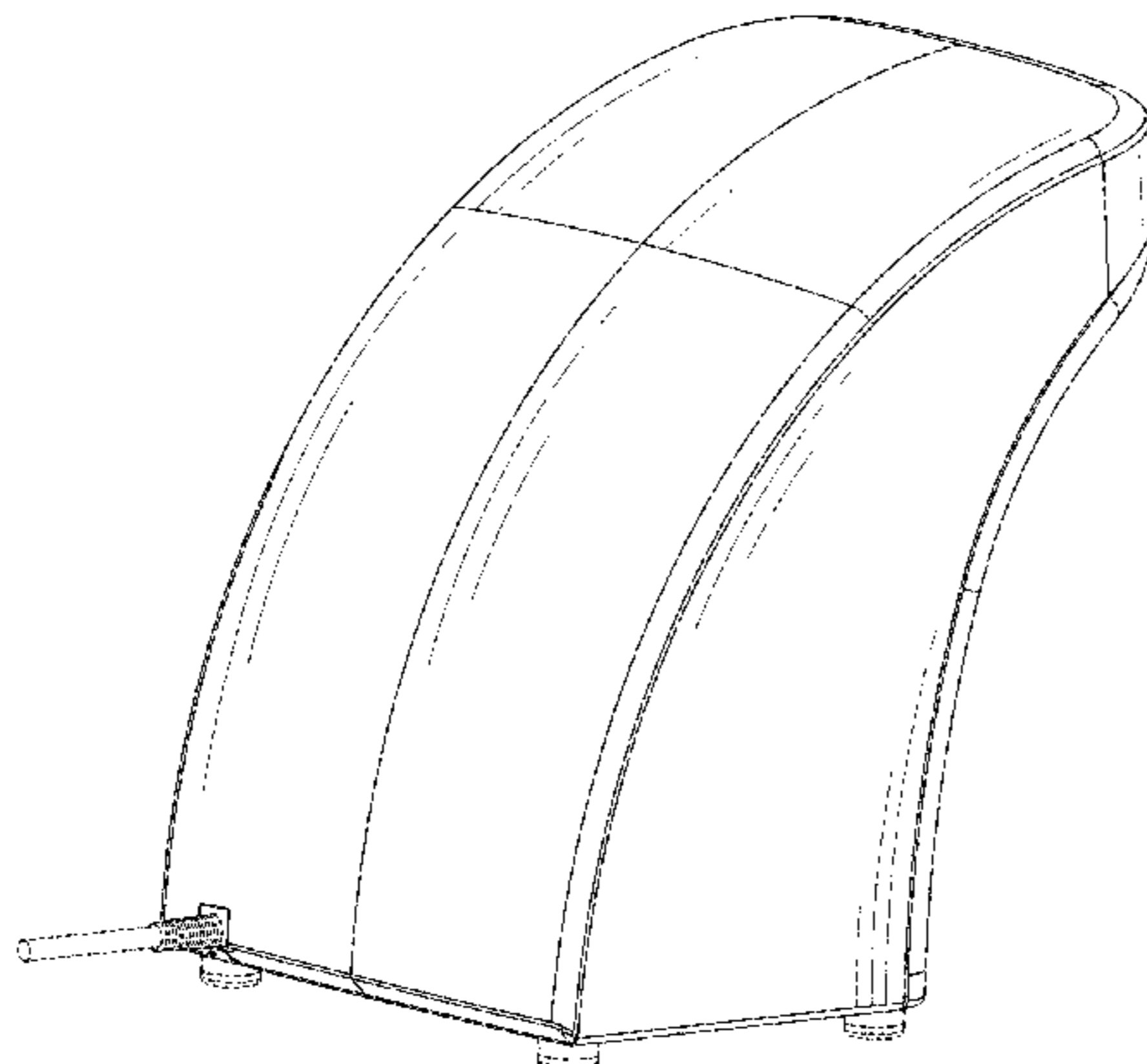
(57) **CLAIM**

The ornamental design for a foot dryer, as shown and described.

**DESCRIPTION**

FIG. 1 is a front elevational view of a foot dryer showing my new design;  
FIG. 2 is a rear elevational view thereof;  
FIG. 3 is a left side view thereof;  
FIG. 4 is a right side view thereof;  
FIG. 5 is a top plan view thereof;  
FIG. 6 is a bottom plan view thereof;  
FIG. 7 is a first perspective view thereof; and,  
FIG. 8 is a second perspective view thereof.  
The broken lines in the drawings illustrate portions of the foot dryer which form no part of the claimed design.

**1 Claim, 8 Drawing Sheets**



(56)

**References Cited**

U.S. PATENT DOCUMENTS

2017/0367548 A1\* 12/2017 Voegeli ..... A47K 10/48

FOREIGN PATENT DOCUMENTS

CN 304262852 \* 8/2017  
GB 4037640 \* 11/2014

OTHER PUBLICATIONS

Automatic Foot Dryer Machine posted by Wimaha posted date Jul. 27, 2018, © Amazon, [online], [site visited Sep. 27, 2018]. Available from Internet, <https://www.amazon.com/Wimaha-Automatic-Touchless-Over-heat-Protector/> (Year: 2018).\*

Foot Dryer posted by Footzone posted date unknown, © Alibaba, [online], [site visited Sep. 27, 2018]. Available from Internet, <https://footdryer.en.alibaba.com/> (Year: 2018).\*

\* cited by examiner

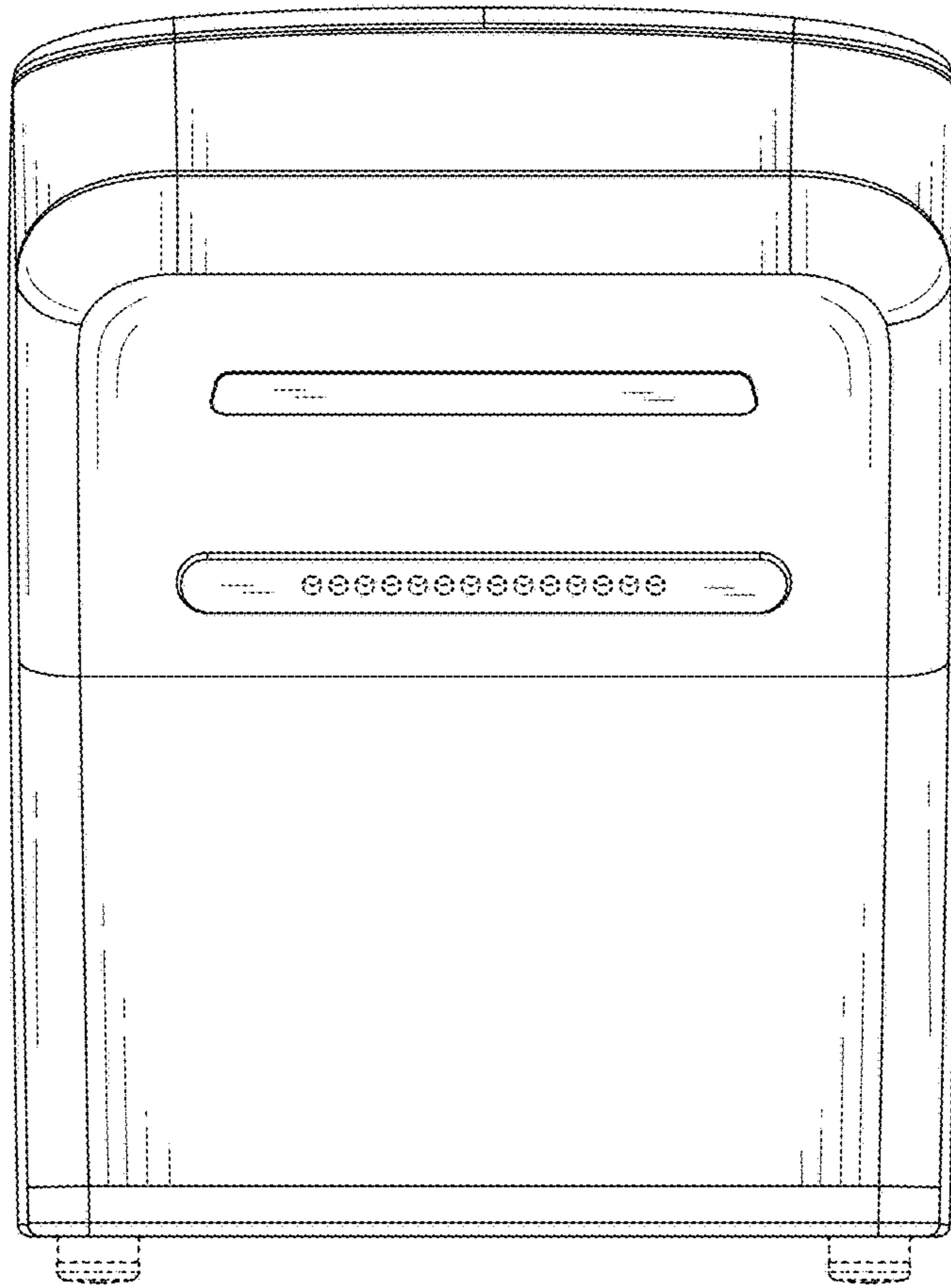


FIG.1

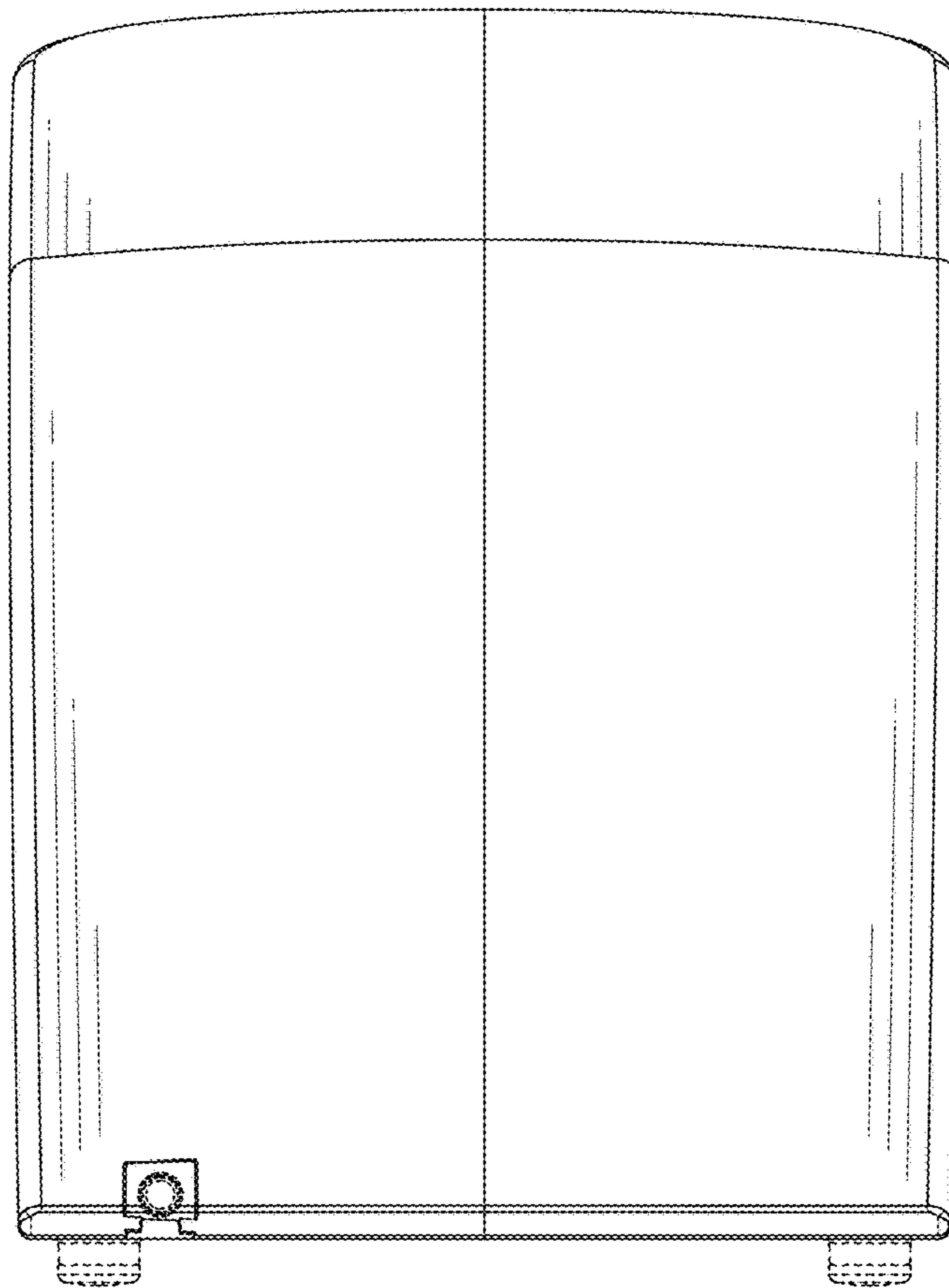


FIG.2

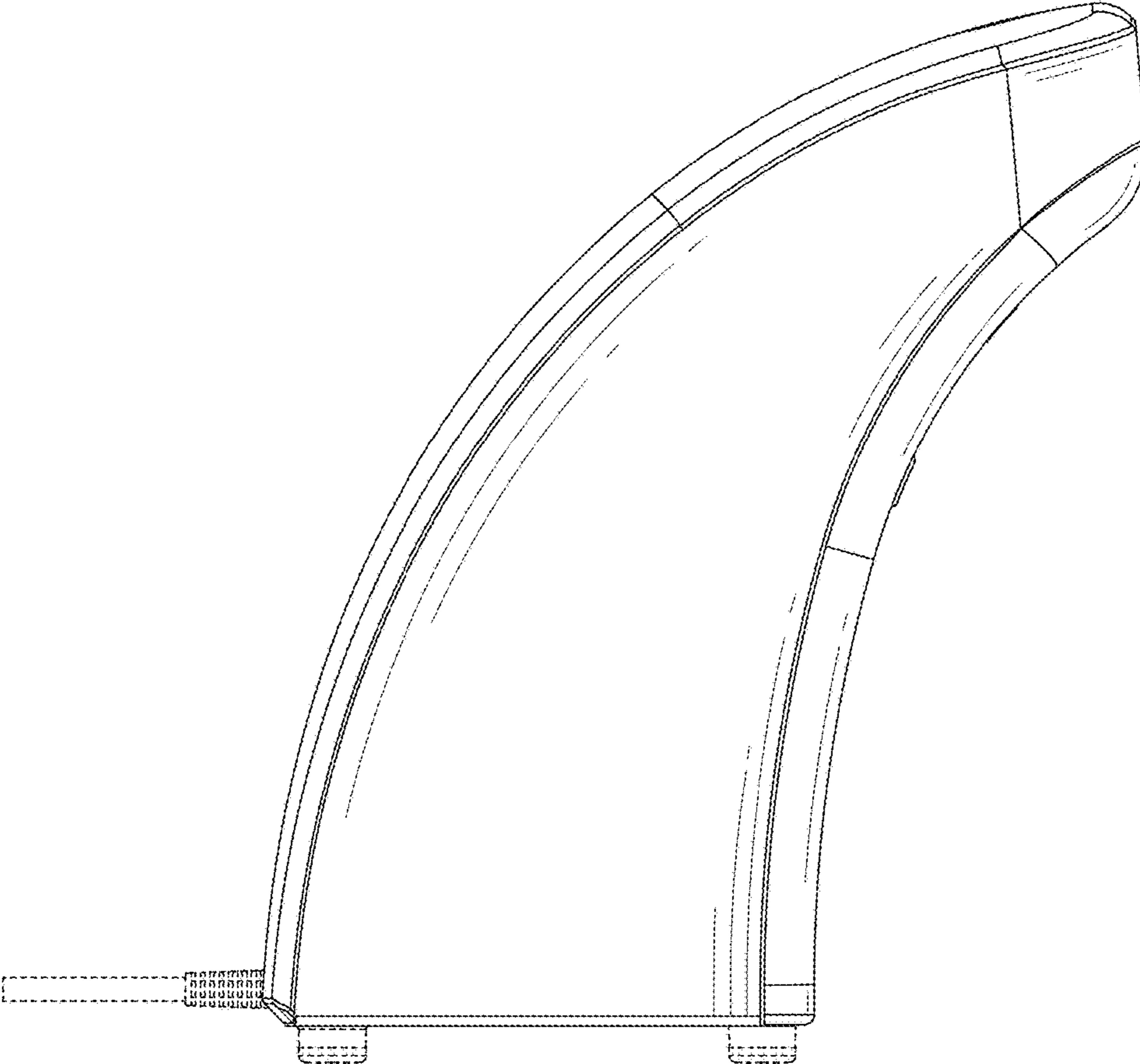


FIG.3

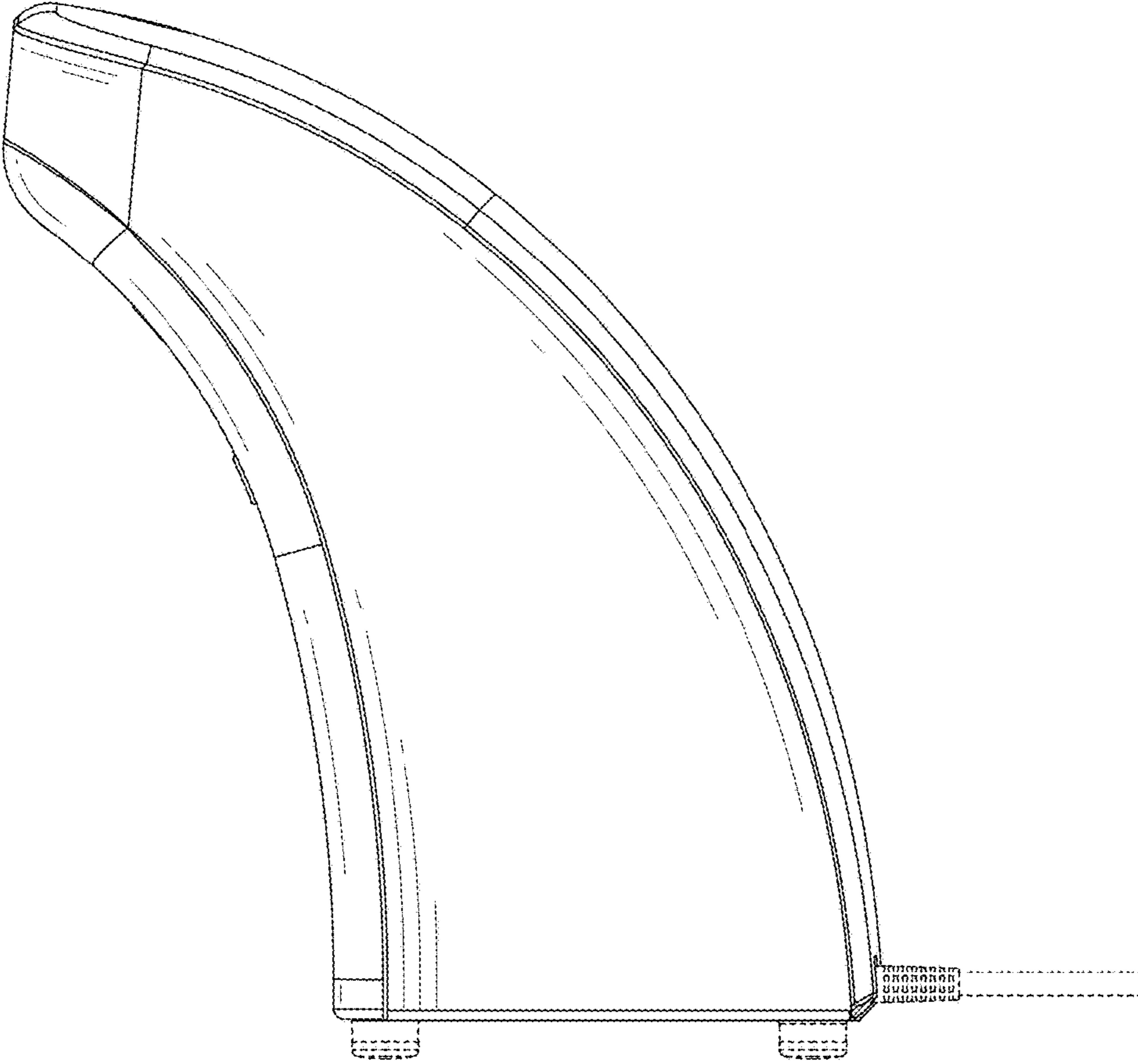


FIG.4



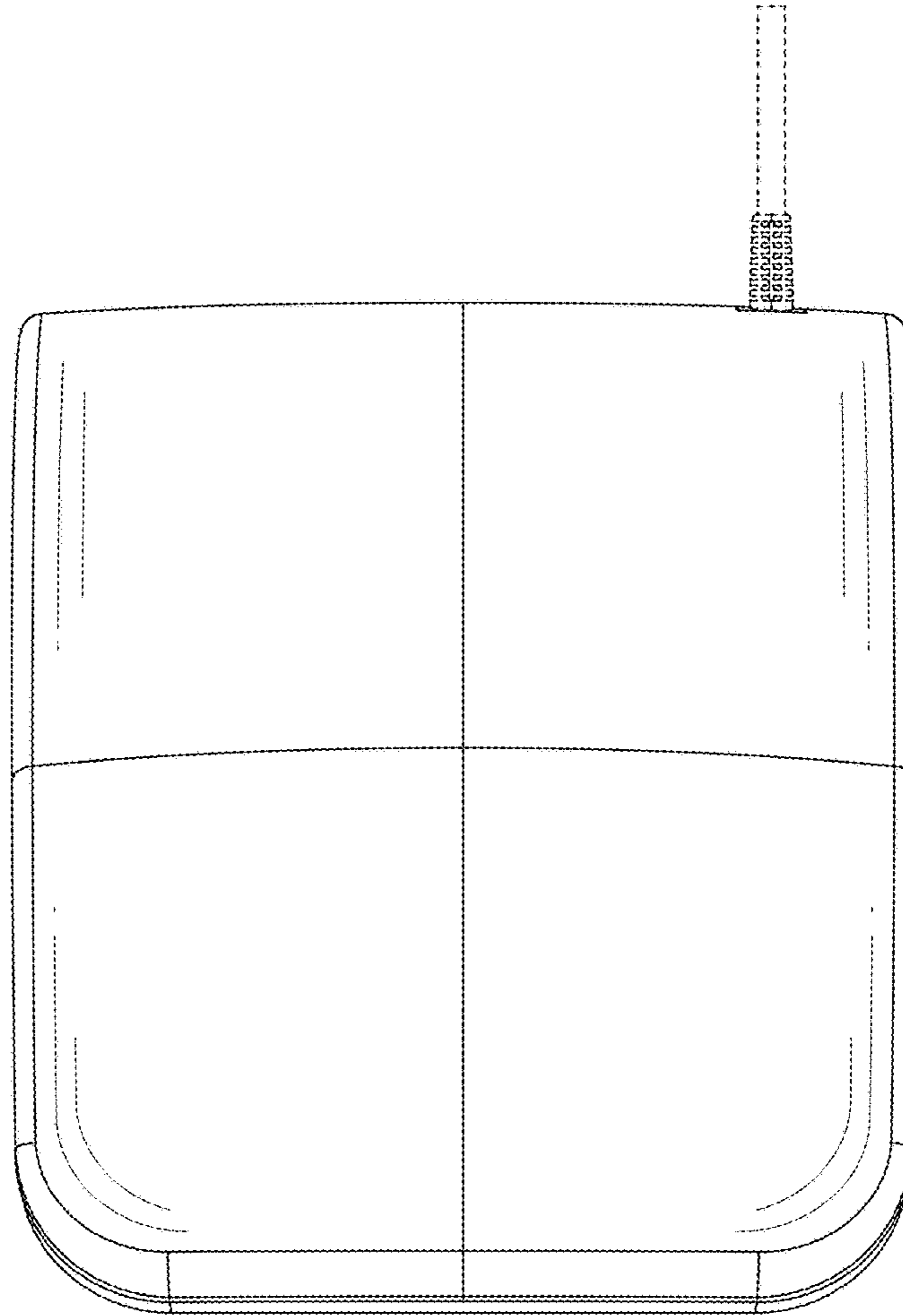


FIG.5

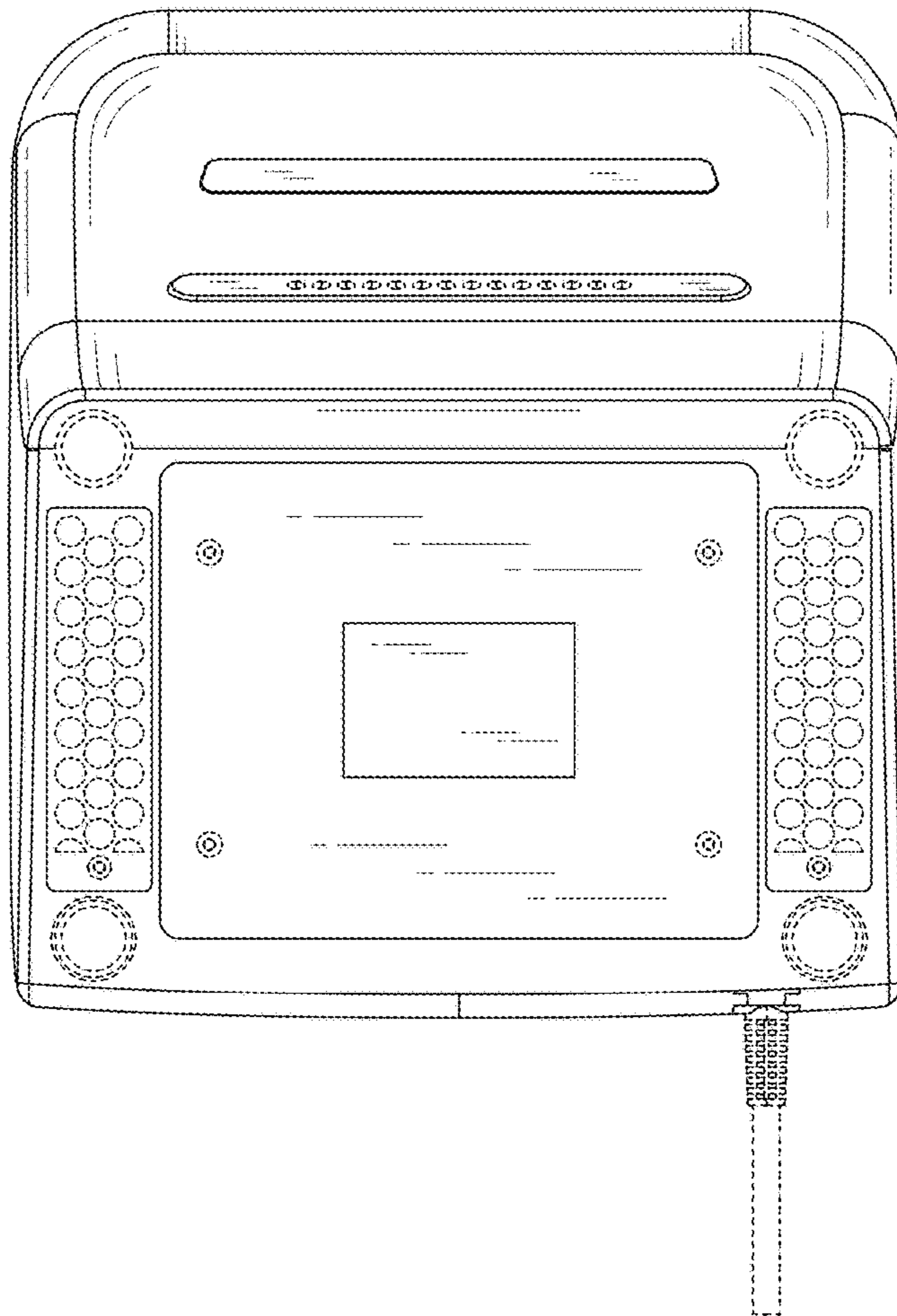


FIG.6



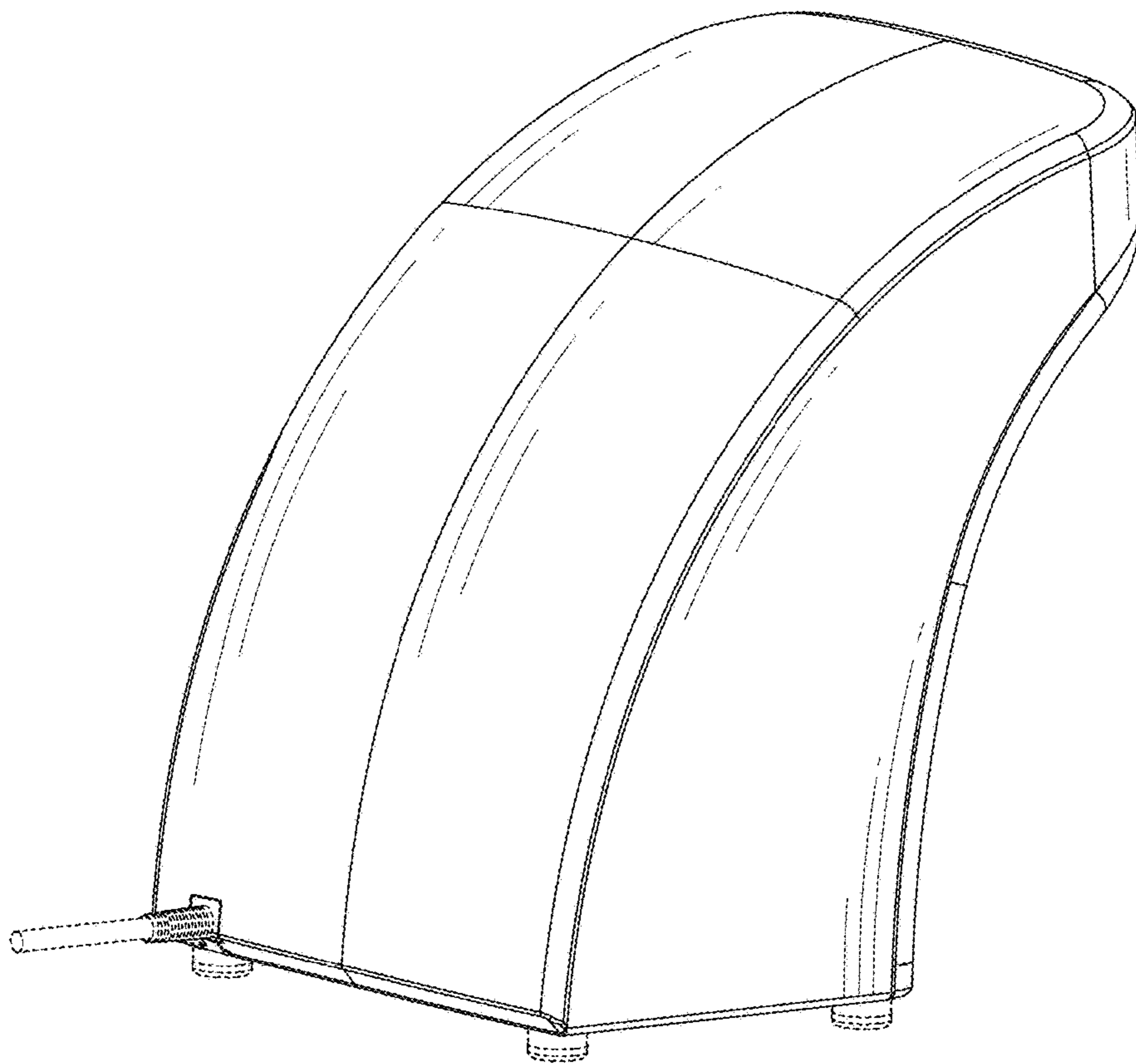


FIG. 7

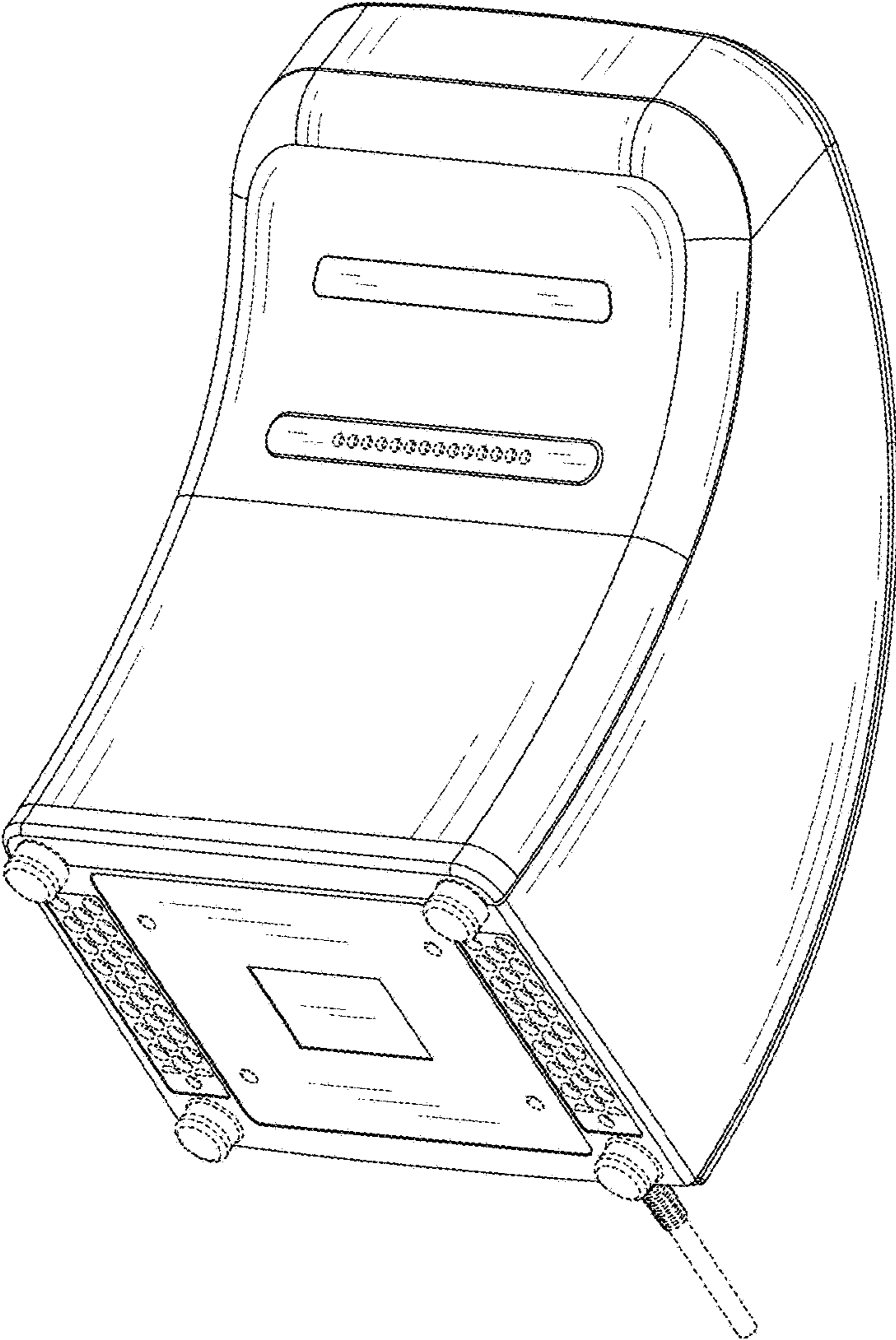


FIG.8