



US00D841248S

(12) **United States Design Patent**
Li et al.

(10) **Patent No.:** **US D841,248 S**
(45) **Date of Patent:** **** Feb. 19, 2019**

(54) **HAND DRYER**

(71) Applicant: **ZHEJIANG INTERHASA INTELLIGENT TECHNOLOGY CO., LTD.**

(72) Inventors: **Zuoming Li**, Zhejiang (CN); **Fangling Shi**, Zhejiang (CN)

(73) Assignee: **ZHEJIANG INTERHASA INTELLIGENT TECHNOLOGY CO., LTD.**, Wenzhou Zhejiang (CN)

(**) Term: **15 Years**

(21) Appl. No.: **29/607,456**

(22) Filed: **Jun. 13, 2017**

(51) **LOC (11) Cl.** **28-03**

(52) **U.S. Cl.**
USPC **D28/54.1**

(58) **Field of Classification Search**
USPC D28/54.1; D8/303, 307, 308
CPC A47K 10/48; A47K 10/24; A47K 10/00;
A47K 2210/00; A47K 2201/00; A47K 2201/02; A47K 4/00; A47K 5/00; A47K 5/12; A47K 5/1218; A47K 2010/3668; E03C 1/01; E03C 1/051; F26B 9/00
See application file for complete search history.

(56) **References Cited**

U.S. PATENT DOCUMENTS

3,151,771	A *	10/1964	Greene	A47K 5/04 206/449
D220,180	S *	3/1971	Griffin	D28/54.1
D622,908	S *	8/2010	Sau Clerch	D28/54.1
D672,091	S *	12/2012	Dyson	D28/54.1
D776,351	S *	1/2017	Gammack	D28/54.1
D776,352	S *	1/2017	Gagnon	D28/54.1
D780,995	S *	3/2017	Ayre	D28/54.1

2010/0209080	A1 *	8/2010	Rubin	A47K 10/48 392/380
2014/0141710	A1 *	5/2014	Turrini-Rochford	F26B 21/004 454/284
2015/0320268	A1 *	11/2015	Steele	A47K 10/48 34/241
2018/0070783	A1 *	3/2018	Sawabe	A47K 10/48

OTHER PUBLICATIONS

Interhasa! Hand Dryer, © 1996-2018 [online], retrieved Apr. 25, 2018, retrieved from internet, <<https://www.amazon.com/Interhasa-Premium-Quality-Speed-Automatic/dp/B06XWCB691>>.*

(Continued)

Primary Examiner — Barbara Fox

Assistant Examiner — Messina L Smith

(74) *Attorney, Agent, or Firm* — Christensen, Fonder, Dardi & Herbert PLLC

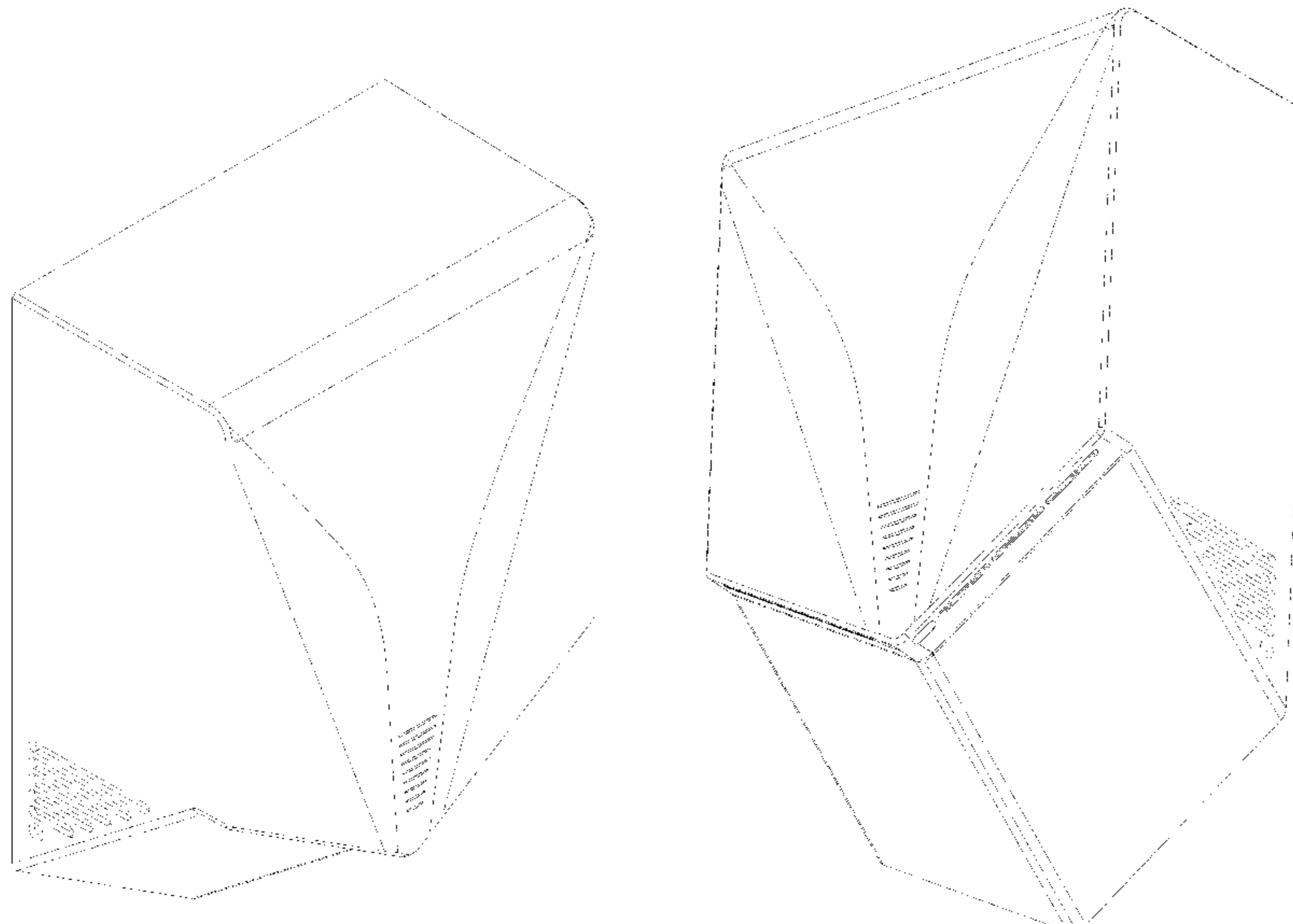
(57) **CLAIM**

The ornamental design for a hand dryer, as shown and described.

DESCRIPTION

FIG. 1 is a front view of a hand dryer, showing our new design;
FIG. 2 is a rear view thereof;
FIG. 3 is a left view thereof;
FIG. 4 is a right view thereof;
FIG. 5 is a top view thereof;
FIG. 6 is a bottom view thereof;
FIG. 7 is a front-left perspective view thereof;
FIG. 8 is a front-right perspective view thereof; and,
FIG. 9 is an enlarged view of the portion labeled “9” encircled in FIG. 6.
The broken lines in the drawings depict portions of the hand dryer that form no part of the claimed design.

1 Claim, 9 Drawing Sheets



(56)

References Cited

OTHER PUBLICATIONS

Interhasa Automatic 1000W High Speed Hand Dryer, © 1998-2018 [online], retrieved Apr. 25, 2018, retrieved from internet, <<https://interhasa.en.made-in-china.com/product/SNVxuRFEaphJ/China-Interhasa-Automatic-1000W-High-Speed-Hand-Dryer.html>>.*

Dyson Airblade V hand dryer, © Dyson 2018 [online], retrieved Apr. 25, 2018, retrieved from internet, <www.dyson.com/hand-dryers/dyson-airblade-v-nickel.html>.*

* cited by examiner

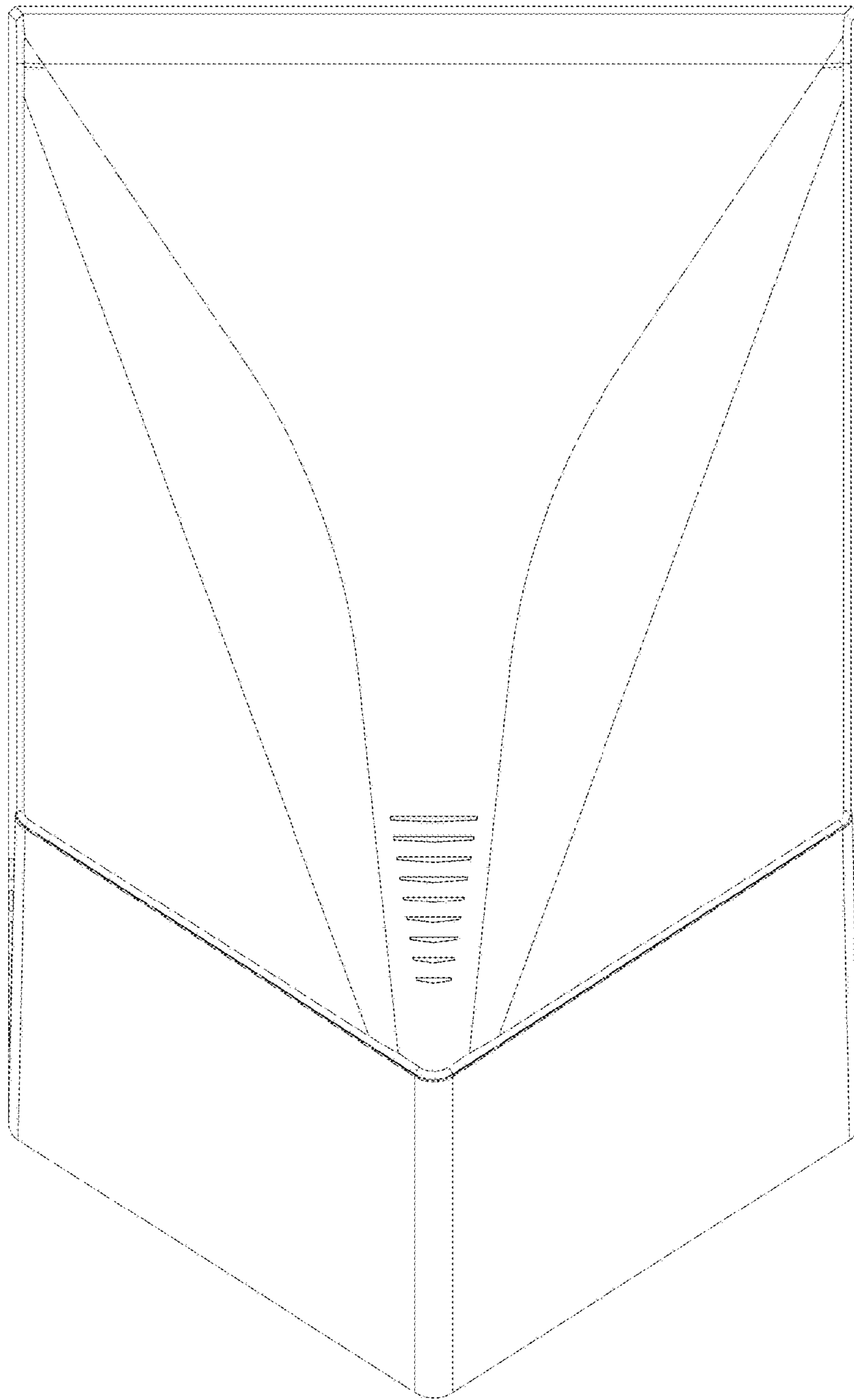


FIG. 1

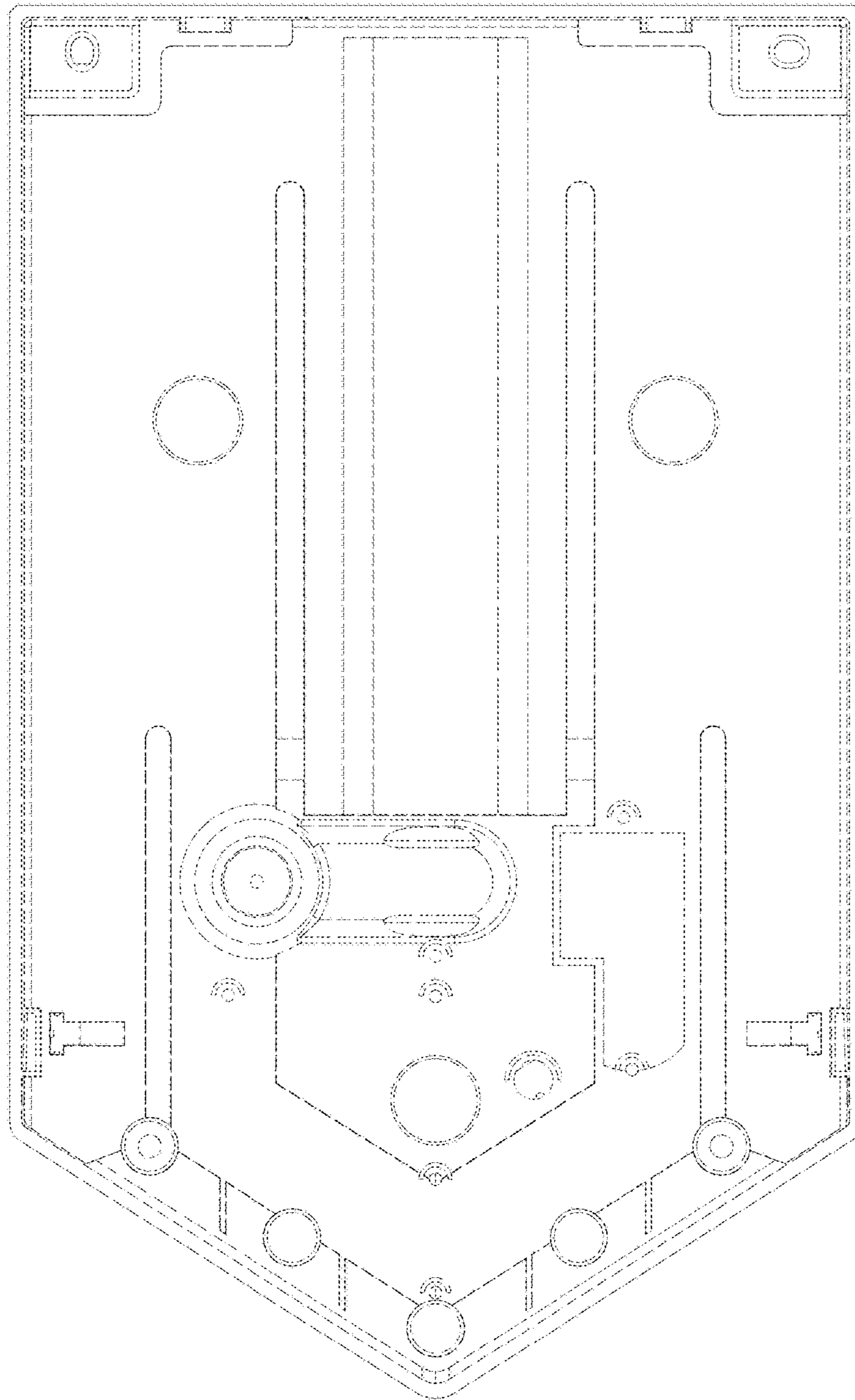


FIG.2

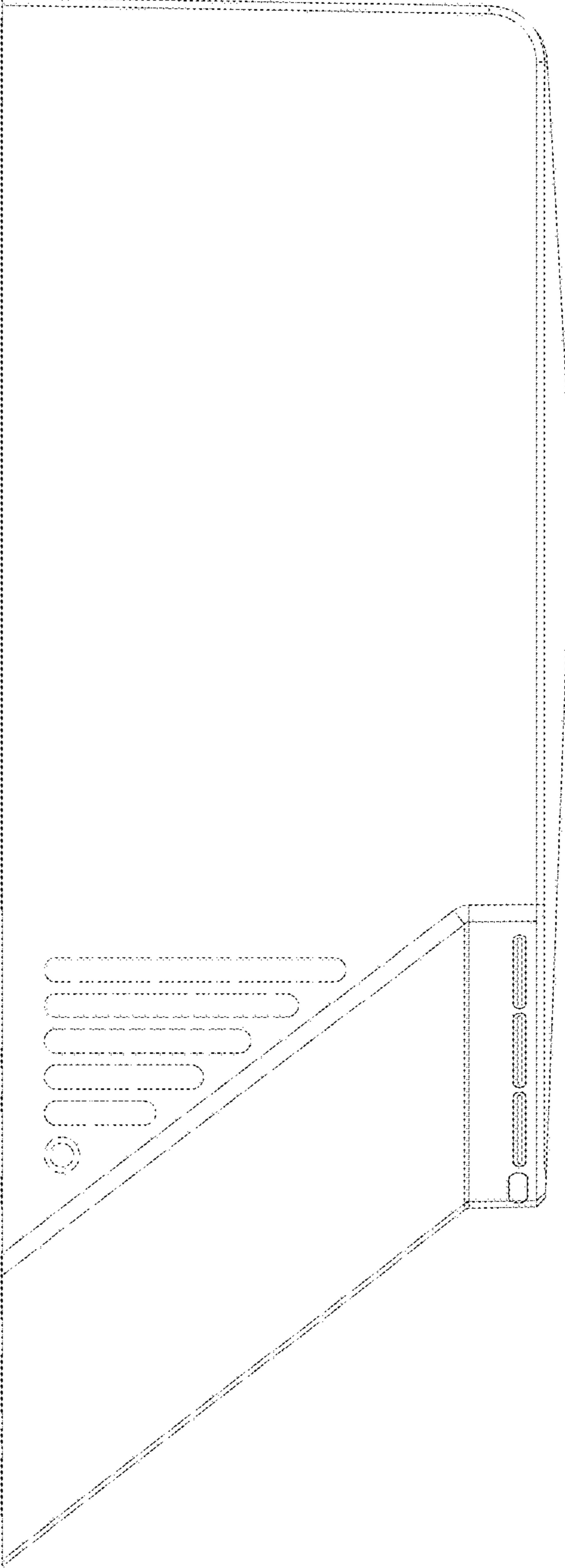


FIG.3

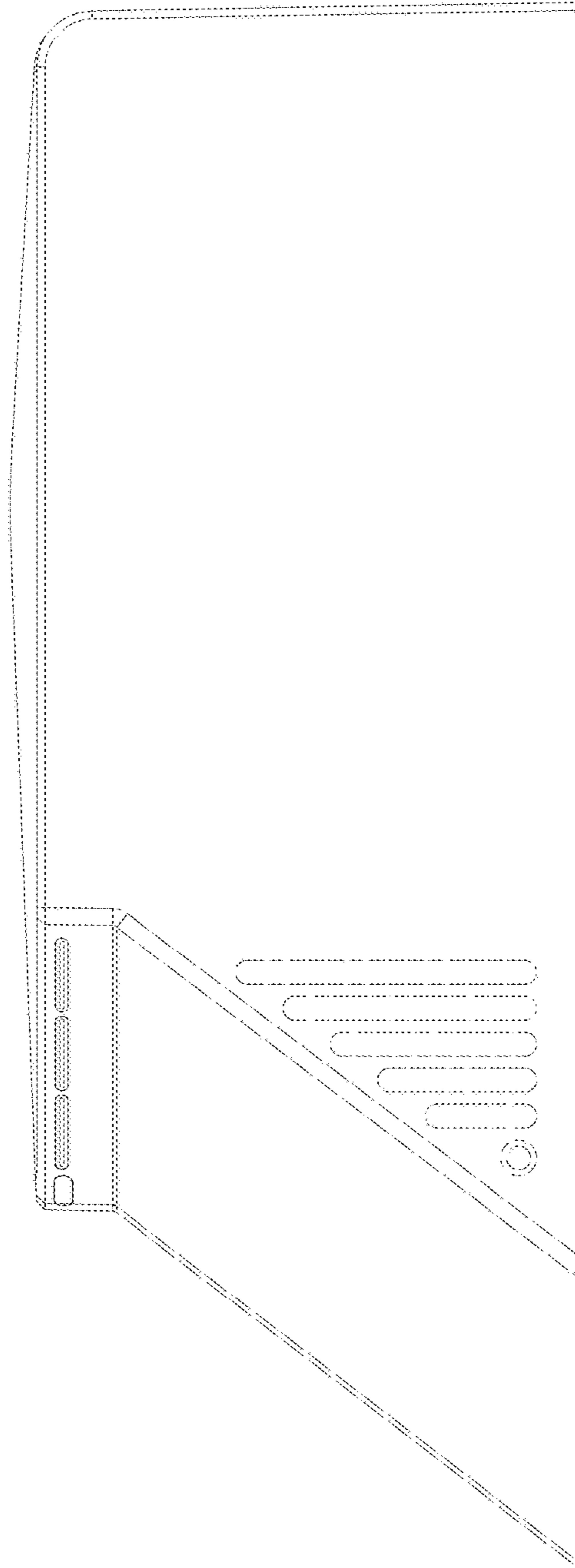


FIG. 4



FIG.5

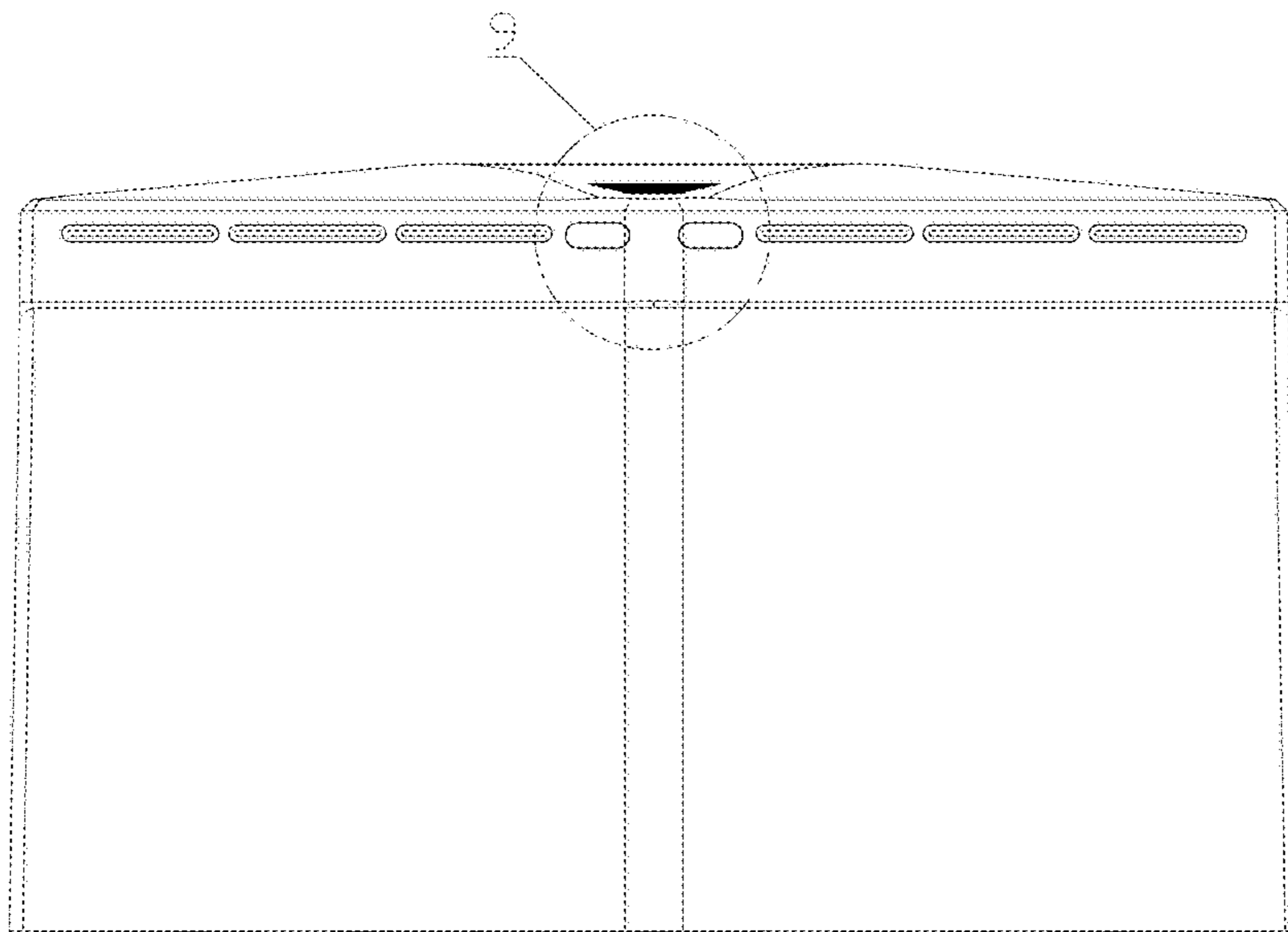


FIG. 6

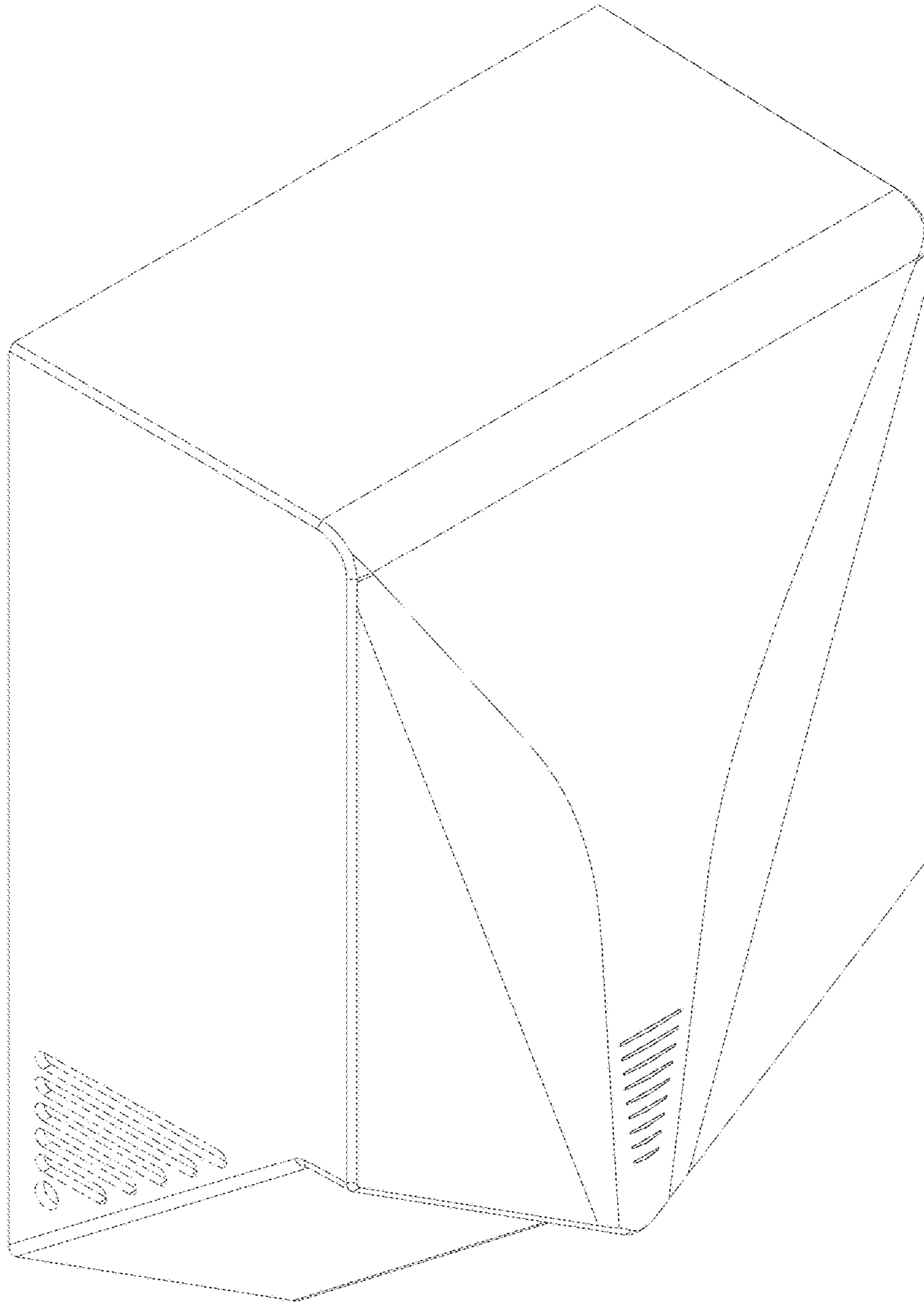


FIG.7

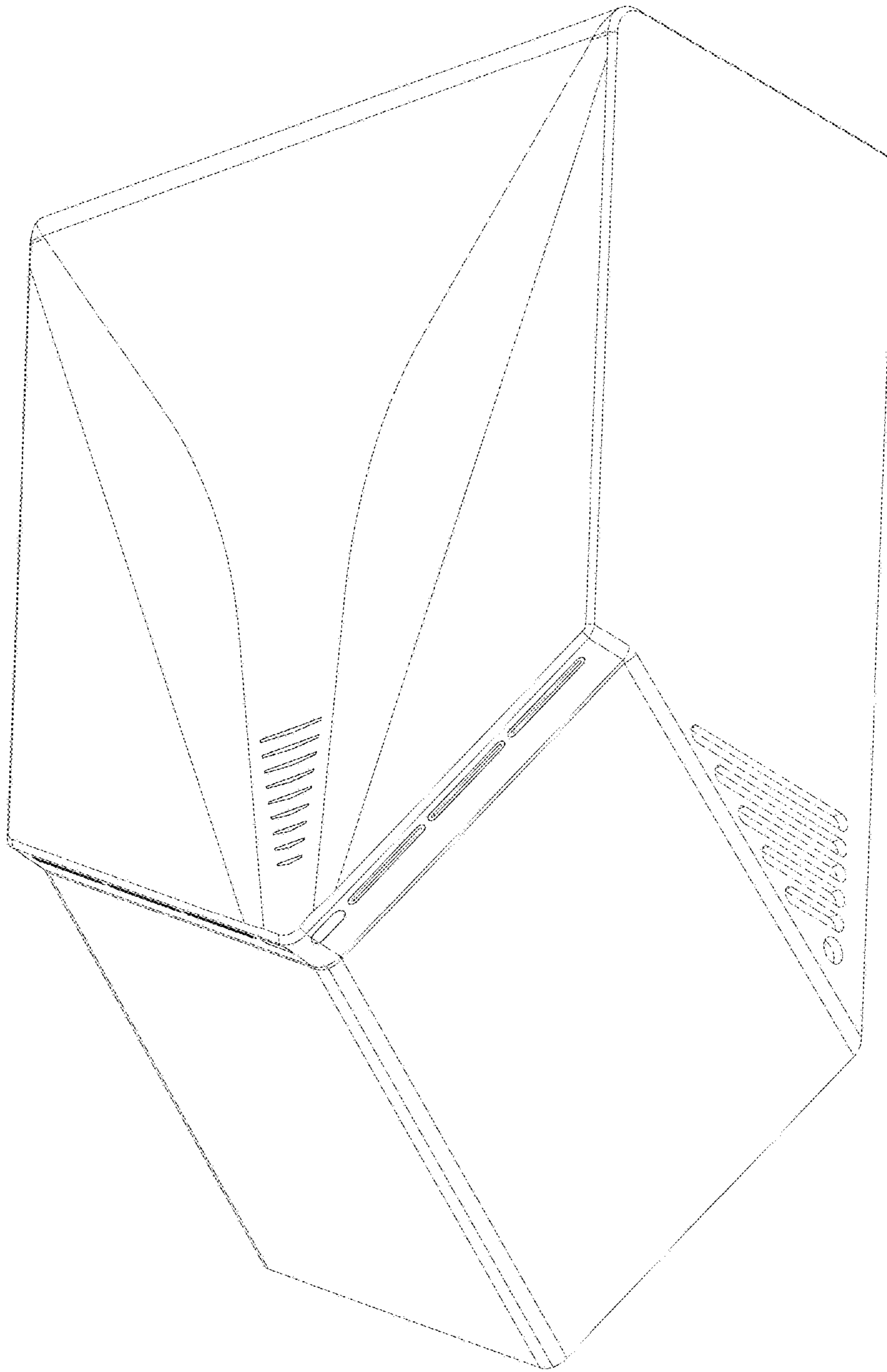


FIG.8

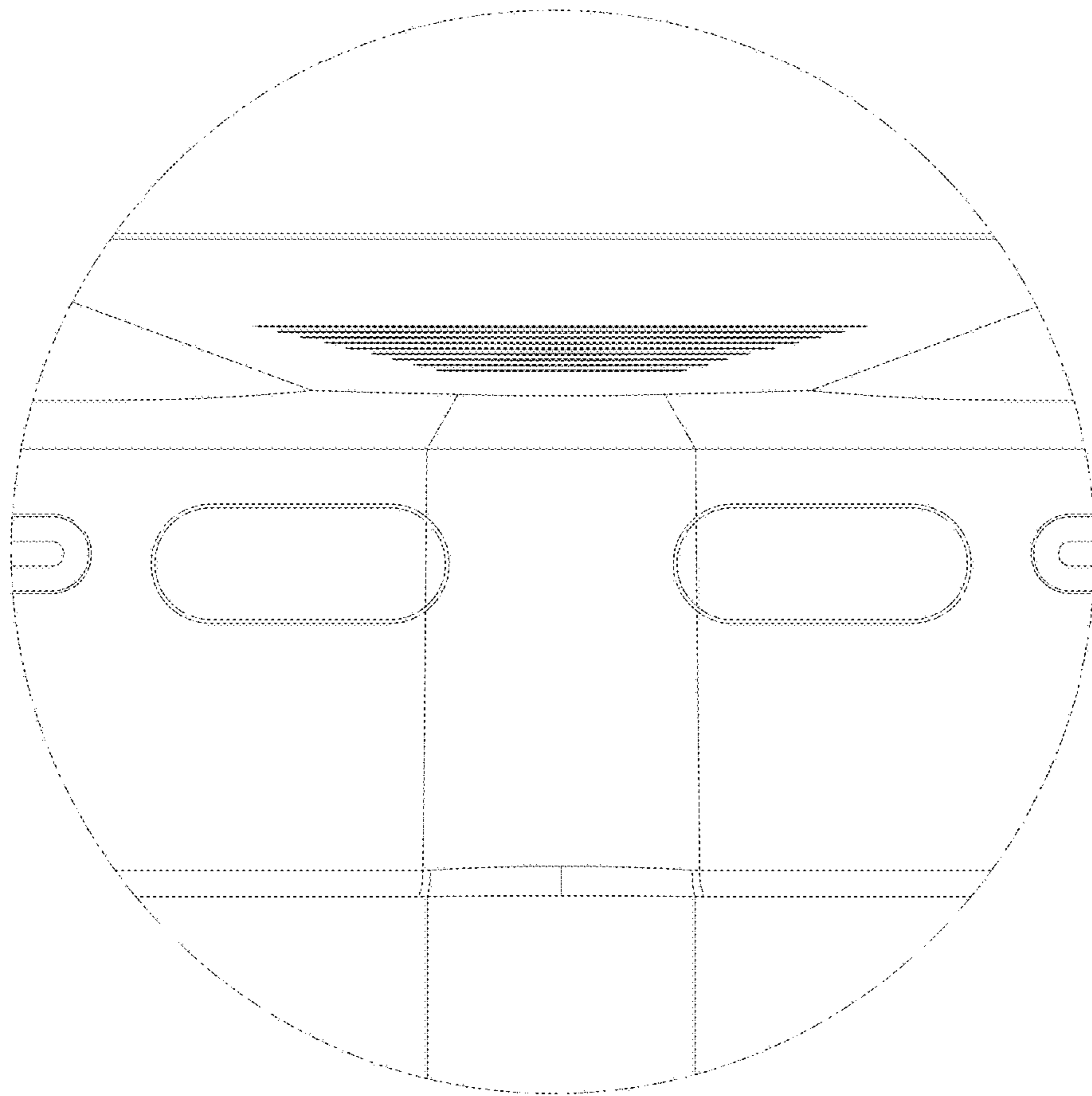


FIG. 9