



US00D841245S

(12) **United States Design Patent** (10) **Patent No.:** **US D841,245 S**
Chen et al. (45) **Date of Patent:** **** Feb. 19, 2019**

(54) **SHAVER**

(71) Applicants: **Xu Chen**, Yiwu (CN); **Haijiang Yang**, Yuyao (CN)

(72) Inventors: **Xu Chen**, Yiwu (CN); **Haijiang Yang**, Yuyao (CN)

(**) Term: **15 Years**

(21) Appl. No.: **29/633,309**

(22) Filed: **Jan. 12, 2018**

(51) **LOC (11) Cl.** **28-03**

(52) **U.S. Cl.**
USPC **D28/50**

(58) **Field of Classification Search**
USPC D28/44, 44.1, 49-54
CPC B26B 19/00-19/107; B26B 19/12; B26B 19/14-19/148; B26B 19/16-19/18; B26B 19/20-19/265; B26B 19/28-19/36; B26B 19/38-19/46

See application file for complete search history.

(56) **References Cited**

U.S. PATENT DOCUMENTS

D672,504 S * 12/2012 Lyles D28/50
D693,060 S * 11/2013 Lyles D28/50
D717,492 S * 11/2014 Kulshreshtha D28/53
D803,480 S * 11/2017 Wong D28/53
D808,077 S * 1/2018 Boulanger D28/50
10,005,192 B2 * 6/2018 Kulshreshtha B26B 19/3853
D828,957 S * 9/2018 Rosandick D28/53

D828,958 S * 9/2018 Teteak D28/53
2008/0072430 A1 * 3/2008 Cafaro B26B 19/06 30/45
2017/0106547 A1 * 4/2017 Lau B26B 19/20

OTHER PUBLICATIONS

Remington shaver, 1 page, reviewed Dec. 2017, <https://www.amazon.com/Remington-Trimmer-Grooming-Electric-Cleaning/dp/B01EJGY6RI/?tag=beselerazfo0a-20&th=1>.*

* cited by examiner

Primary Examiner — Jennifer Rivard
(74) *Attorney, Agent, or Firm* — Law Offices of Steven W. Weinrieb

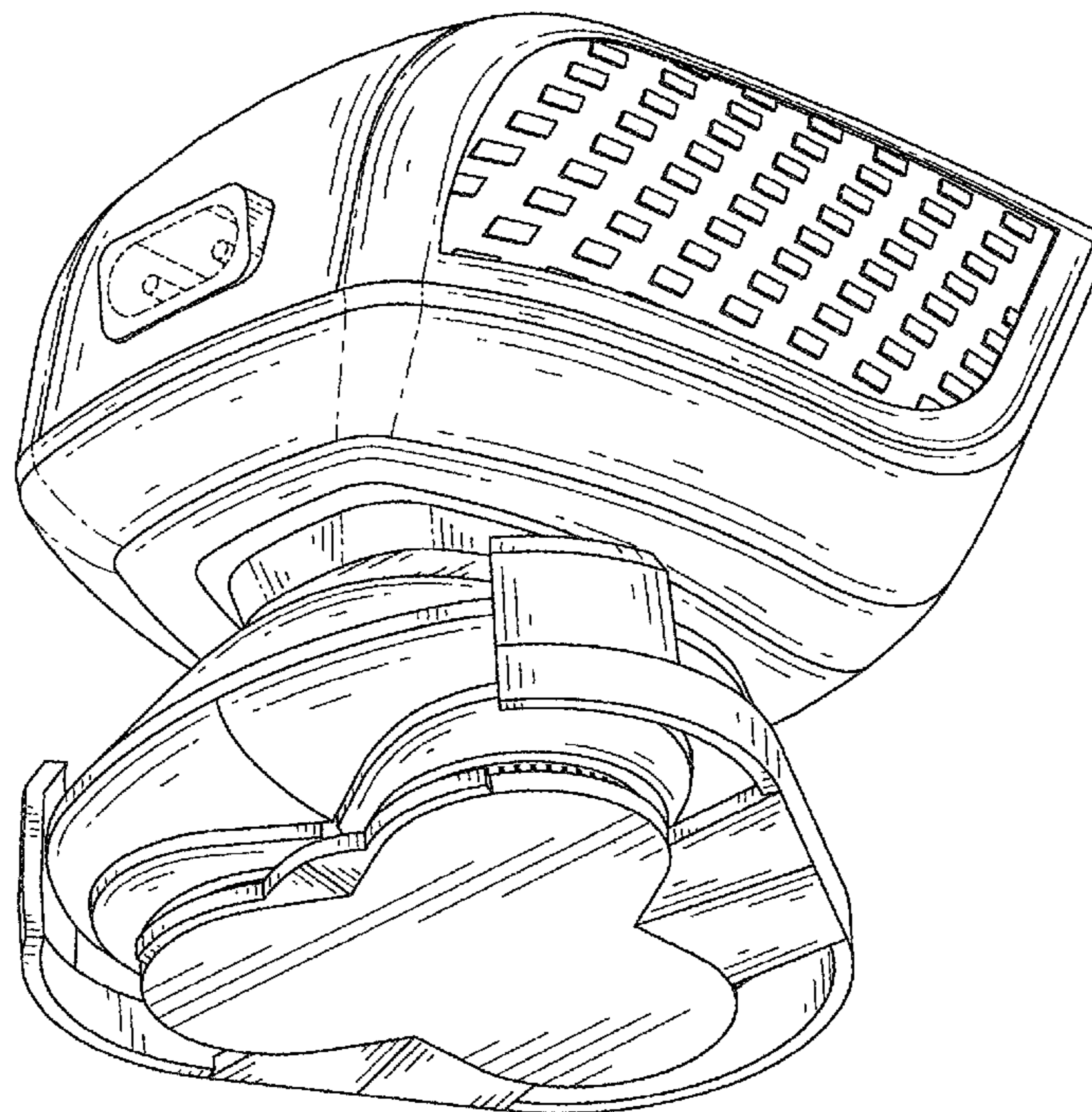
(57) **CLAIM**

The ornamental design for a shaver, as shown and described.

DESCRIPTION

FIG. 1 is a front, right side, top perspective view of the shaver showing my new design;
FIG. 2 is a rear, left side, bottom perspective view thereof;
FIG. 3 is a front elevational view thereof;
FIG. 4 is a rear elevational view thereof;
FIG. 5 is a left side elevational view thereof;
FIG. 6 is a right side elevational view thereof;
FIG. 7 is a top plan view thereof; and,
FIG. 8 is a bottom plan view thereof.
The broken lines illustrate portions of the shaver and form no part of the claimed design.

1 Claim, 8 Drawing Sheets



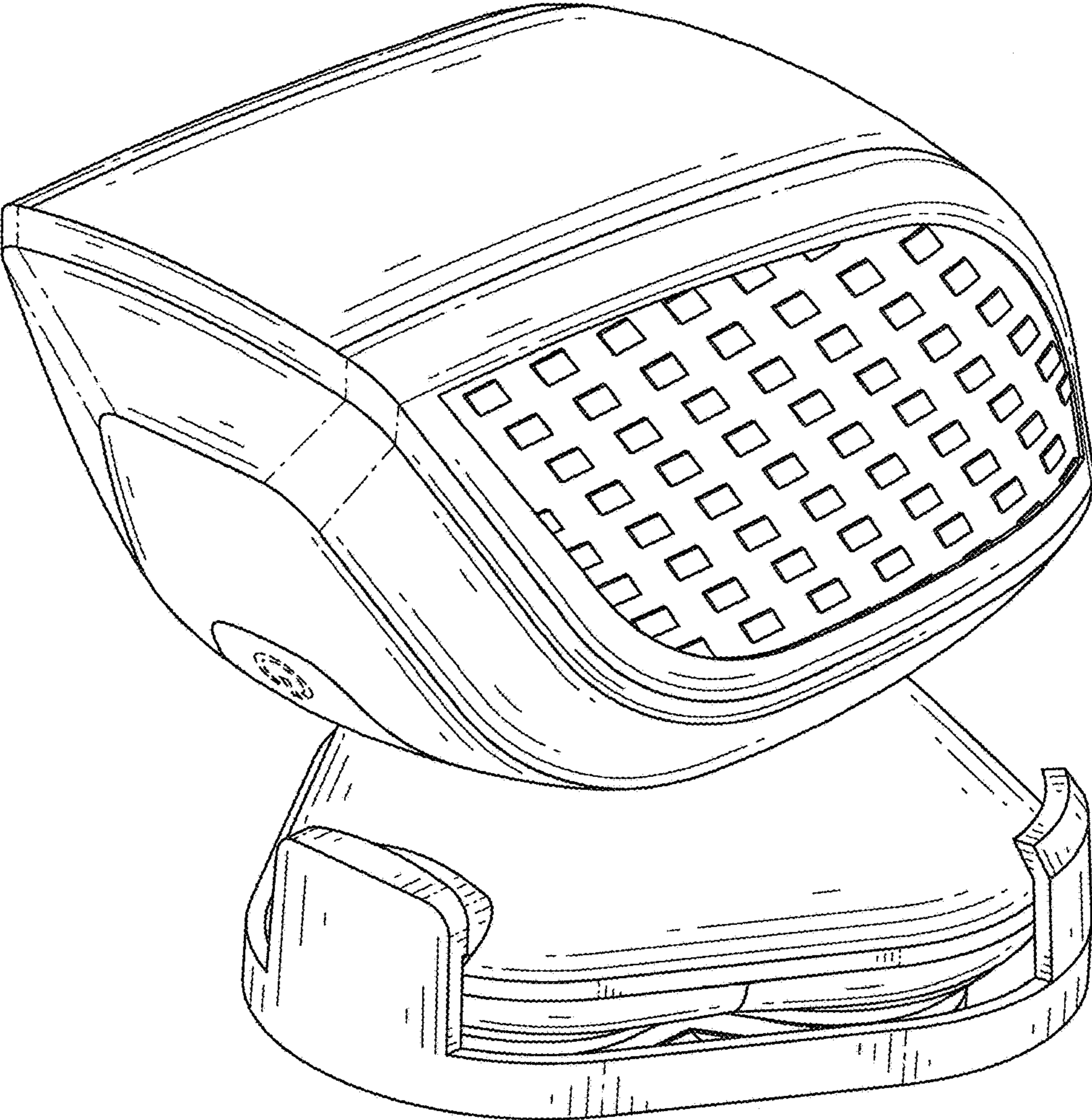


FIG. 1

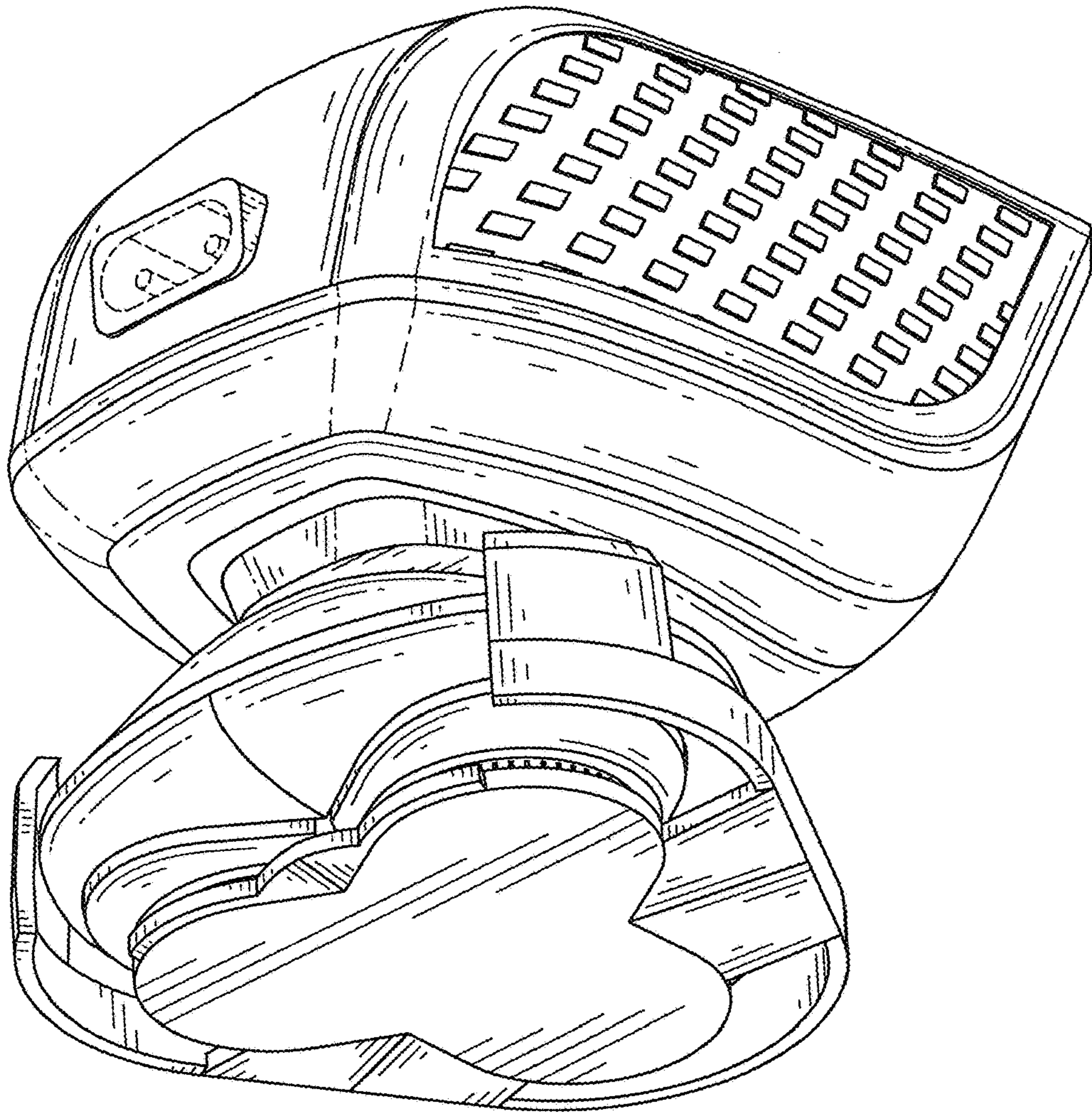


FIG. 2

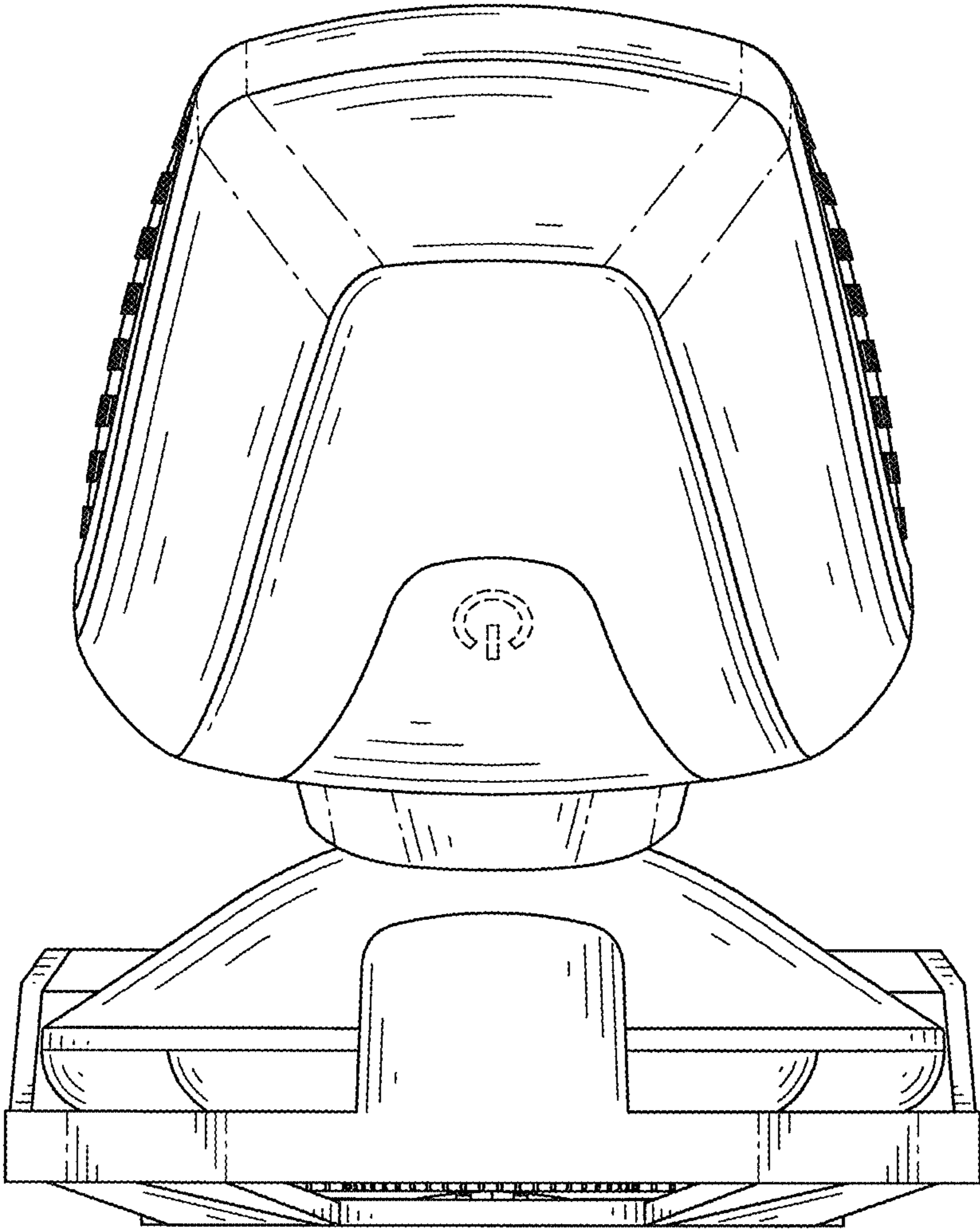


FIG. 3

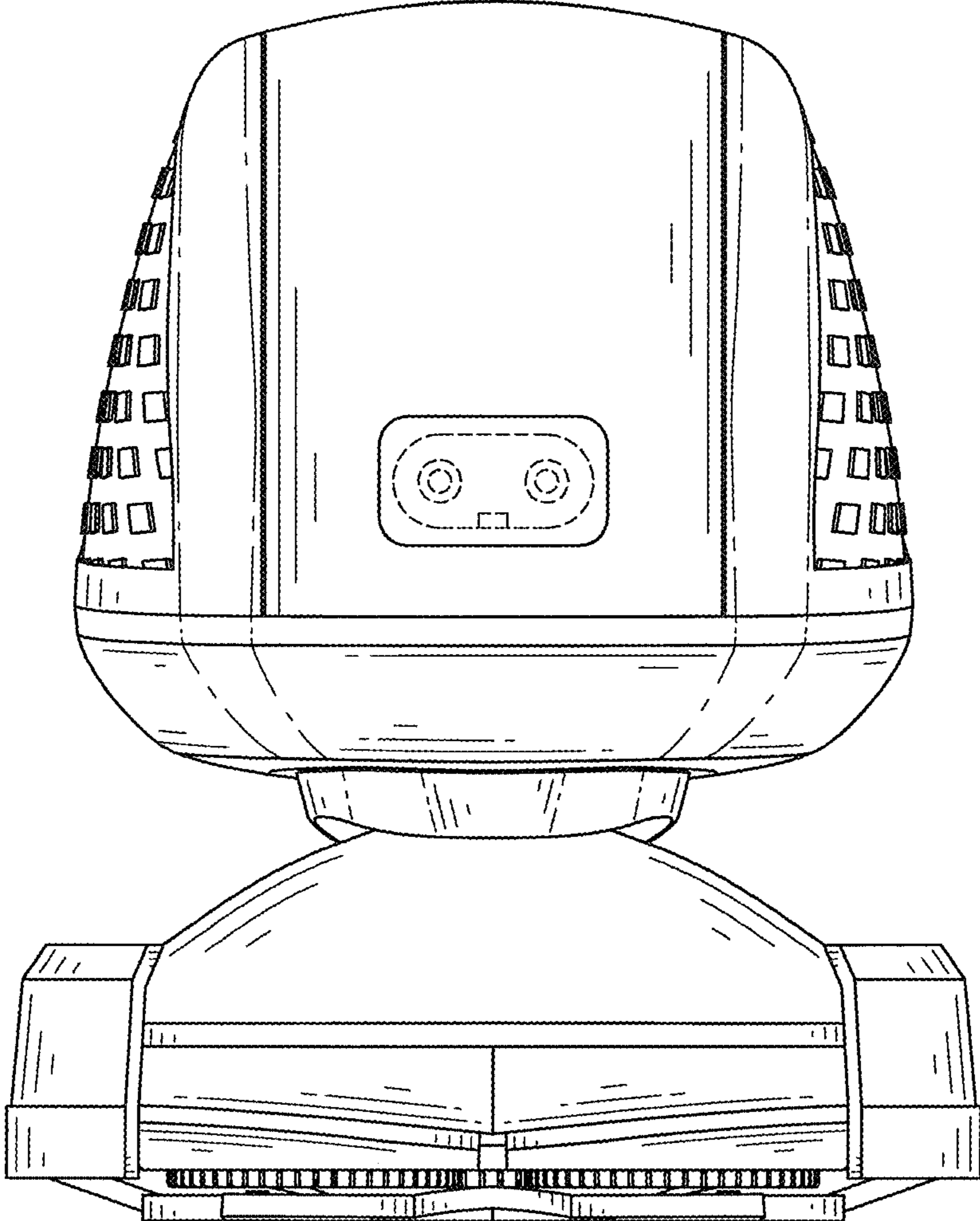


FIG. 4

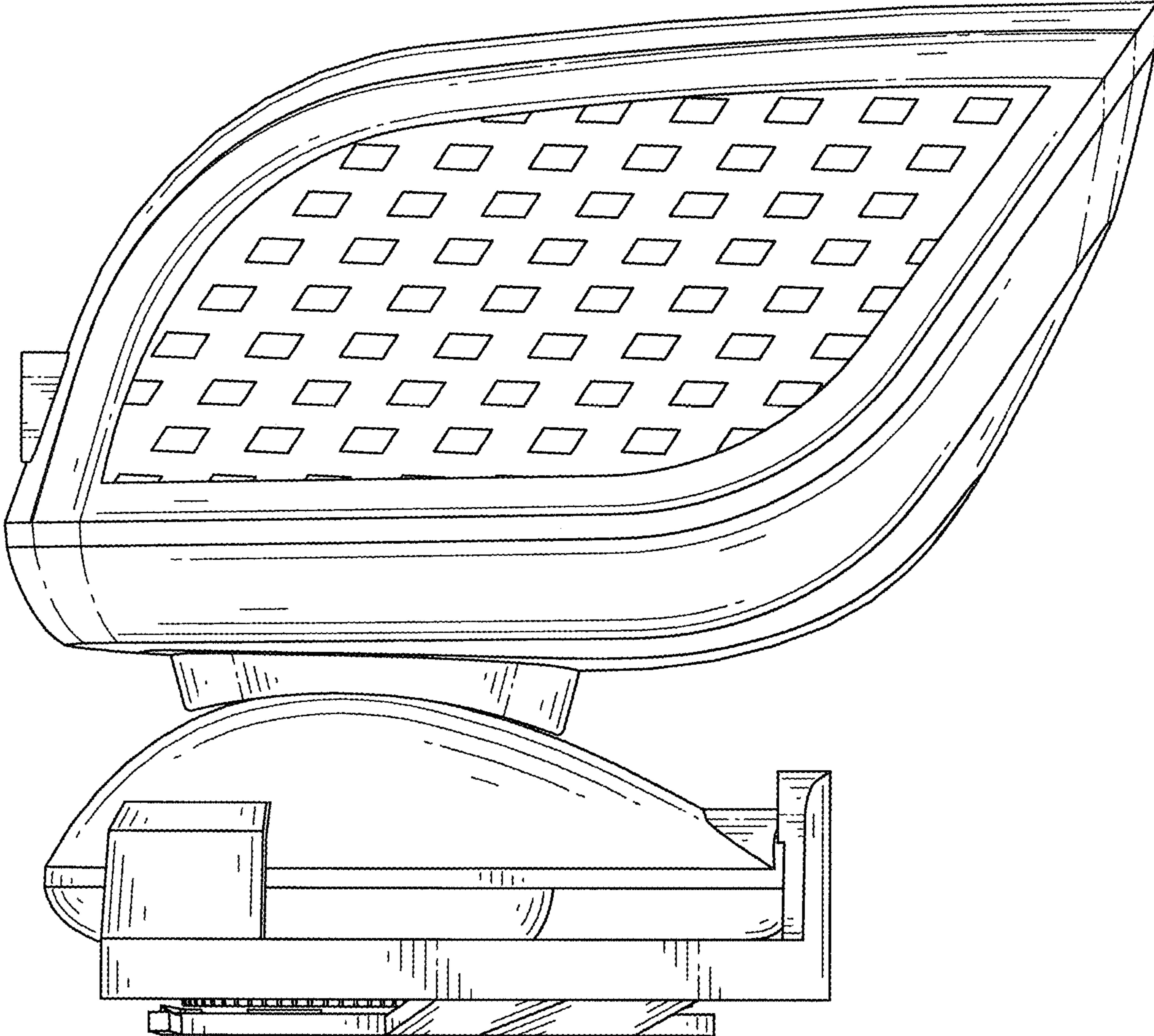


FIG. 5

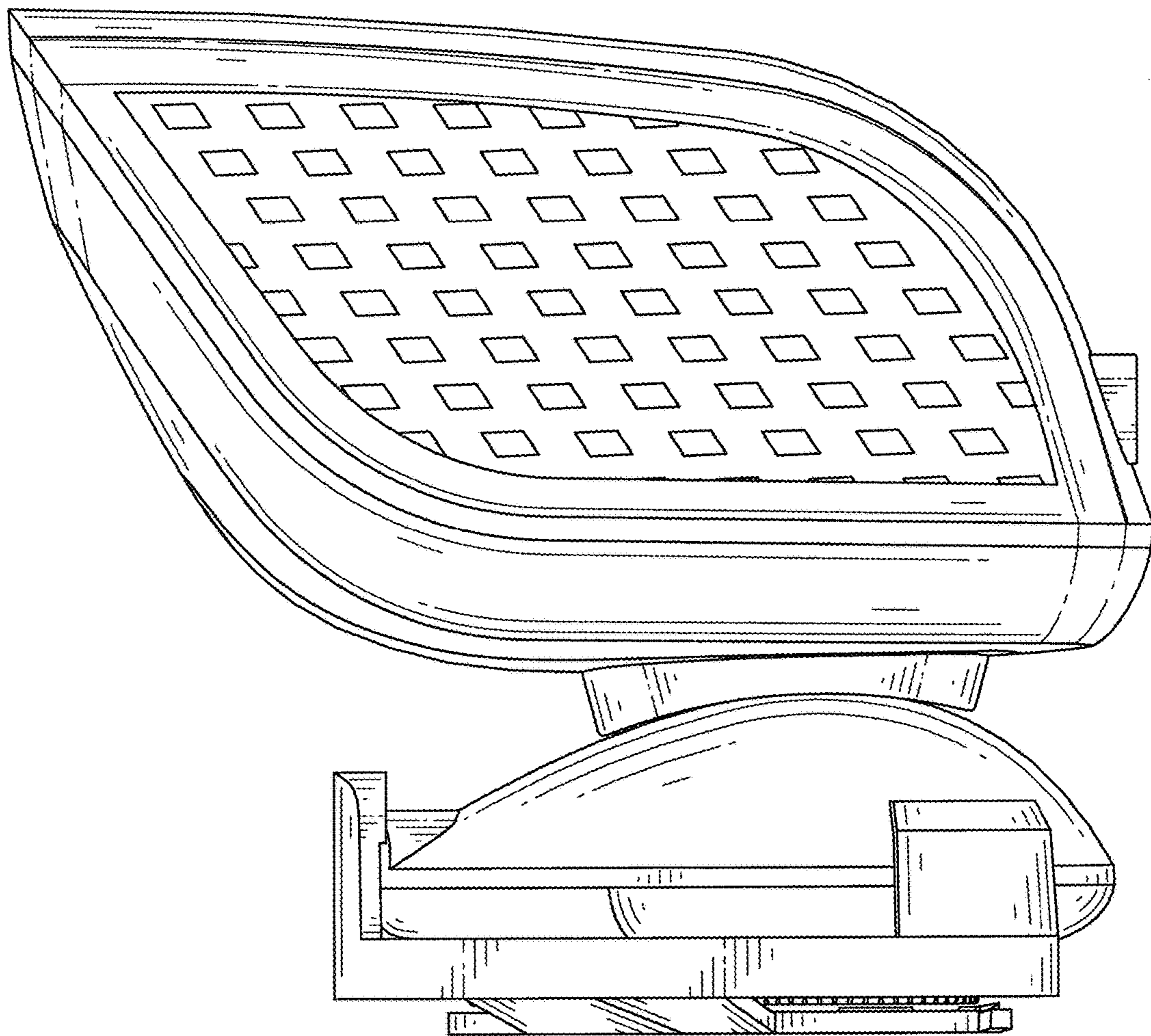


FIG. 6

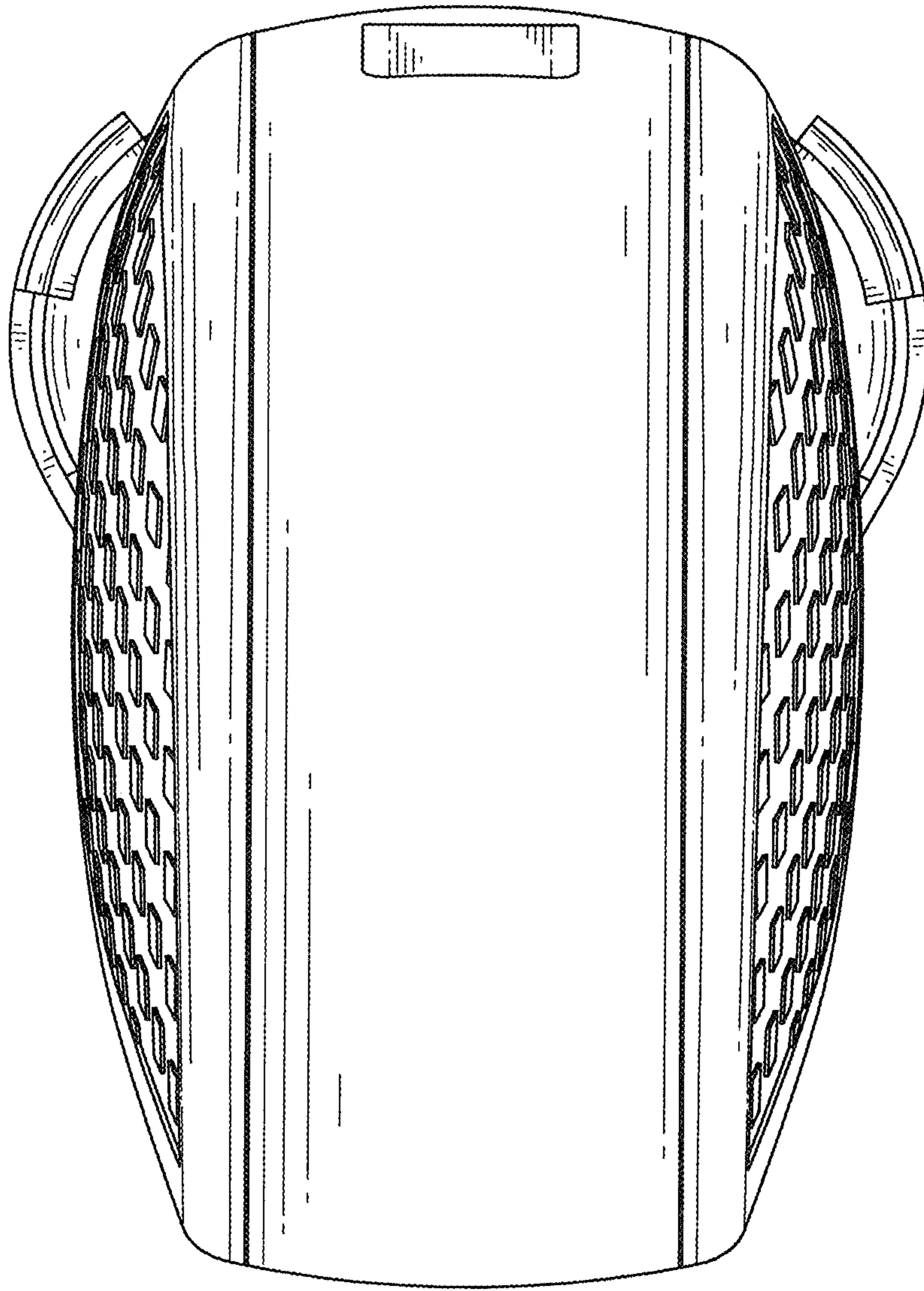


FIG. 7

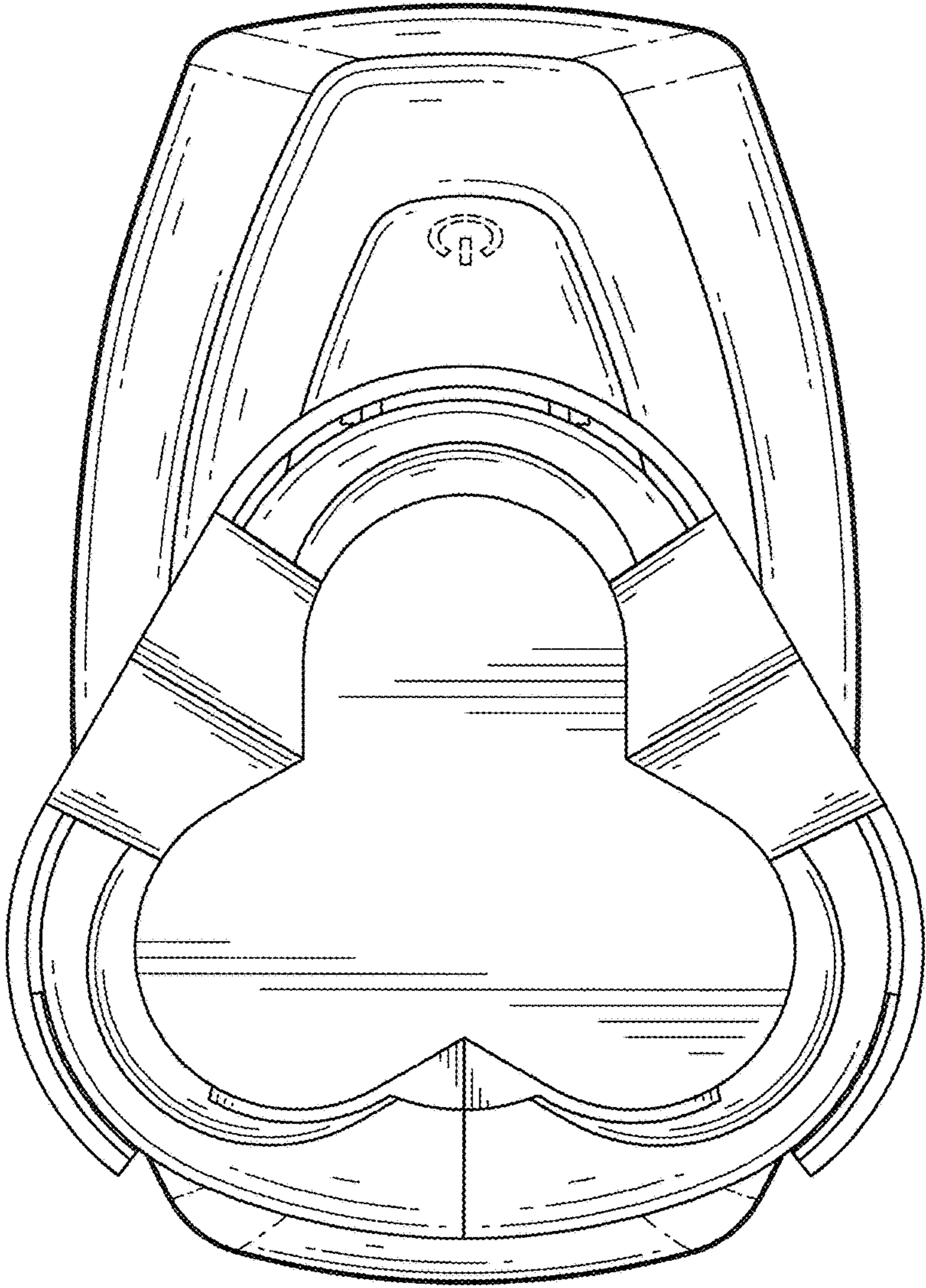


FIG. 8