

US00D841244S

(12) **United States Design Patent** (10) **Patent No.:** **US D841,244 S**
Hsu (45) **Date of Patent:** **** Feb. 19, 2019**

(54) **FABRIC SHAVER**
(71) Applicant: **Ching-Feng Hsu**, Taipei (TW)
(72) Inventor: **Ching-Feng Hsu**, Taipei (TW)
(**) Term: **15 Years**
(21) Appl. No.: **29/629,922**
(22) Filed: **Dec. 18, 2017**
(51) **LOC (11) Cl.** **28-03**
(52) **U.S. Cl.**
USPC **D28/50**
(58) **Field of Classification Search**
USPC D32/17-19; D28/44-54; D4/120
CPC B26B 19/00; B26B 19/14; B26B 19/34;
B26B 19/44
See application file for complete search history.

(56) **References Cited**
U.S. PATENT DOCUMENTS
D298,361 S * 11/1988 Thaler D28/50
4,788,769 A * 12/1988 Maruyama A47L 25/08
15/344
4,839,964 A * 6/1989 Uchiyama B26B 19/141
30/43.5
4,899,442 A * 2/1990 Horii A47L 25/08
30/133
D306,499 S * 3/1990 Lee D28/50
D307,957 S * 5/1990 Mockovak D28/50
D310,890 S * 9/1990 Ho D28/50
4,985,999 A * 1/1991 Iwasaki A46B 13/02
30/133
D314,642 S * 2/1991 Ying D28/50
D319,564 S * 9/1991 Okayasu D8/61
D321,115 S * 10/1991 Henry D8/61
D455,228 S * 4/2002 Hsu D28/50
D459,028 S * 6/2002 Hsu D28/50
D472,024 S * 3/2003 Caldwell B26B 19/14
D32/32
D495,831 S * 9/2004 Hsu D28/50

D513,814 S * 1/2006 Chen D28/50
D620,643 S * 7/2010 Teteak D28/50
D671,267 S * 11/2012 Hsu D28/50
D678,611 S * 3/2013 Hsu D28/50
D771,392 S * 11/2016 Harrington D4/138
D828,626 S * 9/2018 Hsu D28/50
2011/0308035 A1 * 12/2011 Casper A01K 13/001
15/344

* cited by examiner
Primary Examiner — Michelle E. Wilson
(74) *Attorney, Agent, or Firm* — C. G. Mersereau;
DeWitt, Mackall, Crouse & Moore, S.C.

(57) **CLAIM**
The ornamental design for a fabric shaver, as shown.

DESCRIPTION
FIG. 1 is a perspective view of a first embodiment of a fabric shaver showing my new design;
FIG. 2 is a front view of the first embodiment thereof;
FIG. 3 is a rear view of the first embodiment thereof;
FIG. 4 is a left side view of the first embodiment thereof;
FIG. 5 is a right side view of the first embodiment thereof;
FIG. 6 is a top view of the first embodiment thereof;
FIG. 7 is a bottom view of the first embodiment thereof;
FIG. 8 is a perspective view of a second embodiment of a fabric shaver showing my new design;
FIG. 9 is a front view of the second embodiment thereof;
FIG. 10 is a rear view of the second embodiment thereof;
FIG. 11 is a left side view of the second embodiment thereof;
FIG. 12 is a right side view of the second embodiment thereof;
FIG. 13 is a top view of the second embodiment thereof;
and,
FIG. 14 is a bottom view of the second embodiment thereof.

1 Claim, 14 Drawing Sheets

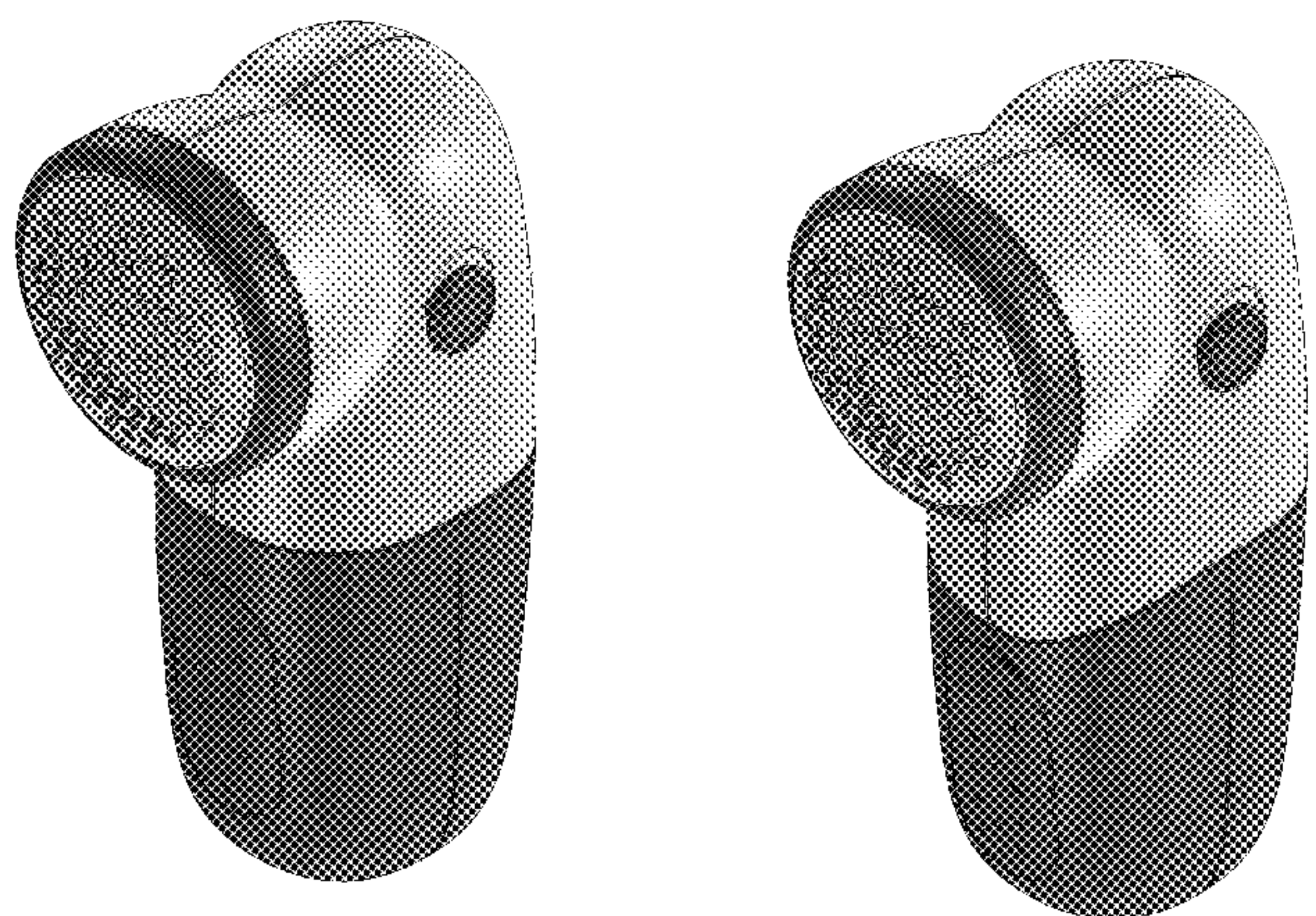




FIG.1

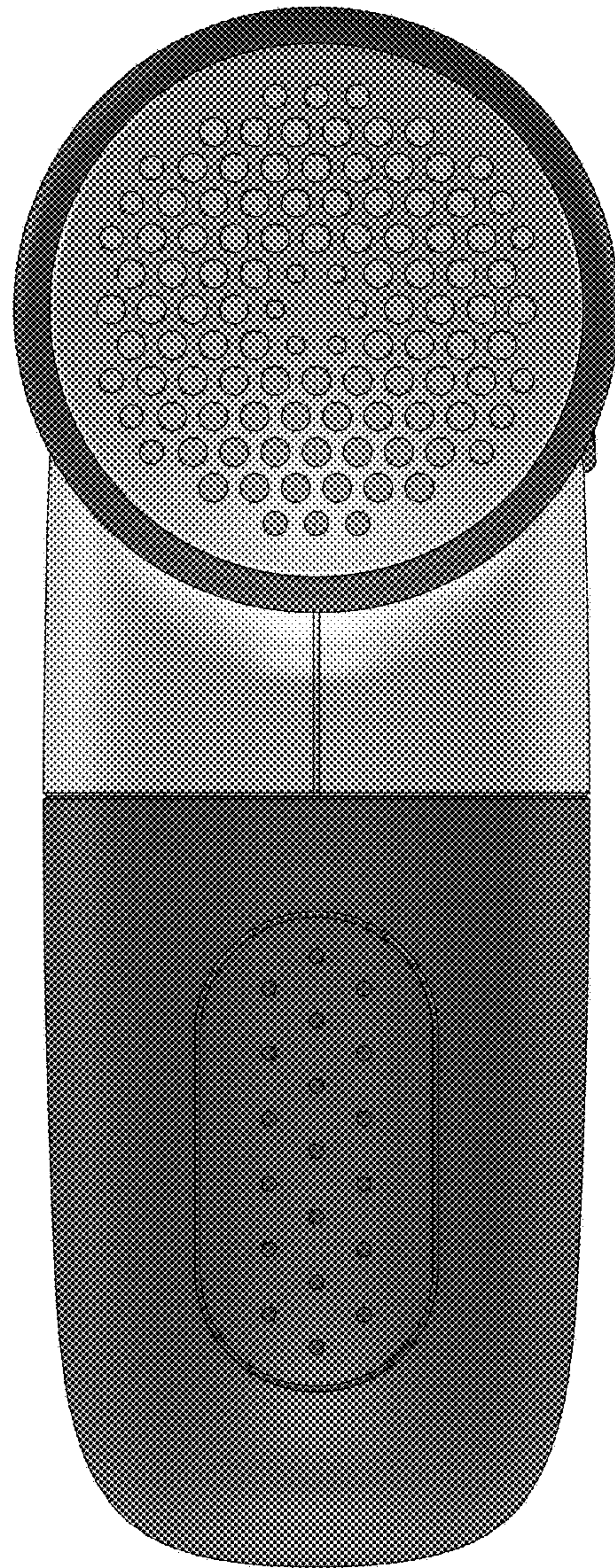


FIG.2

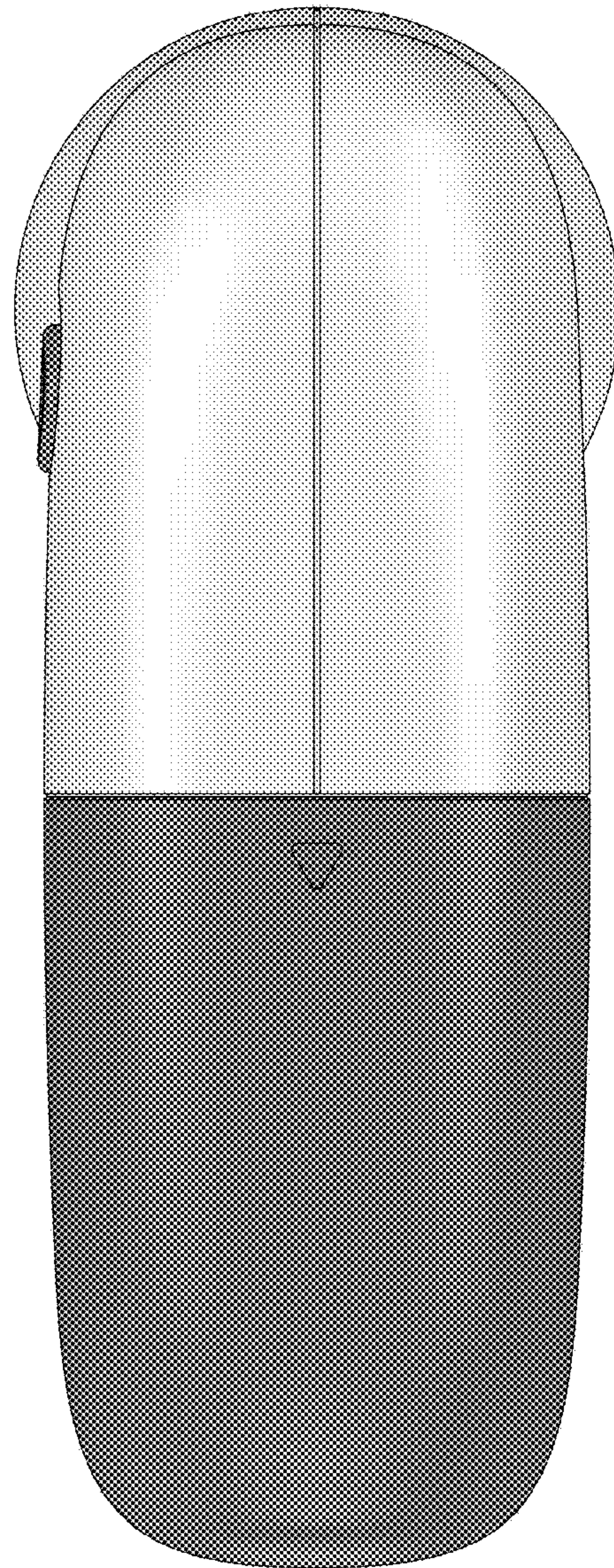


FIG.3

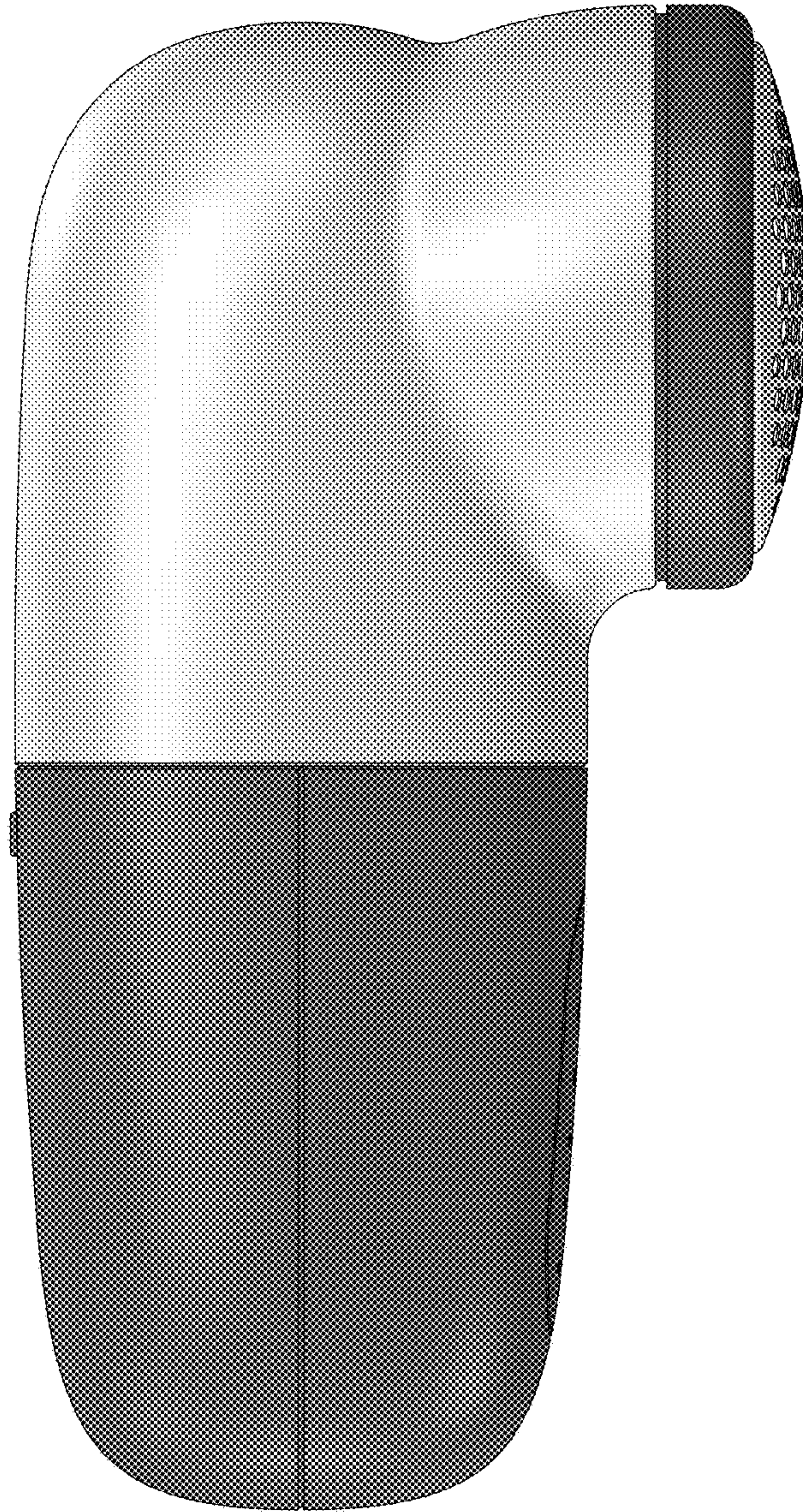


FIG.4

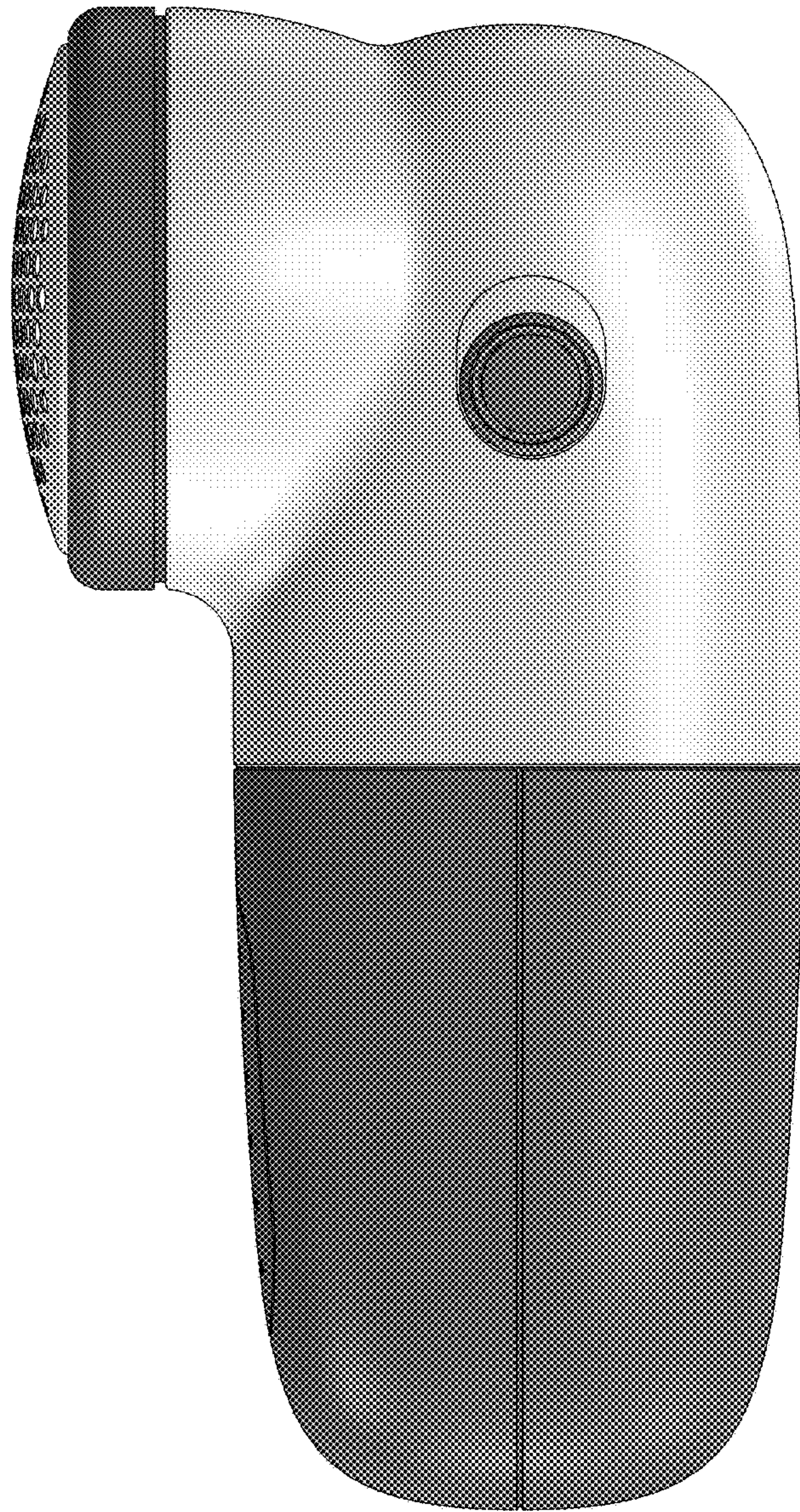


FIG.5

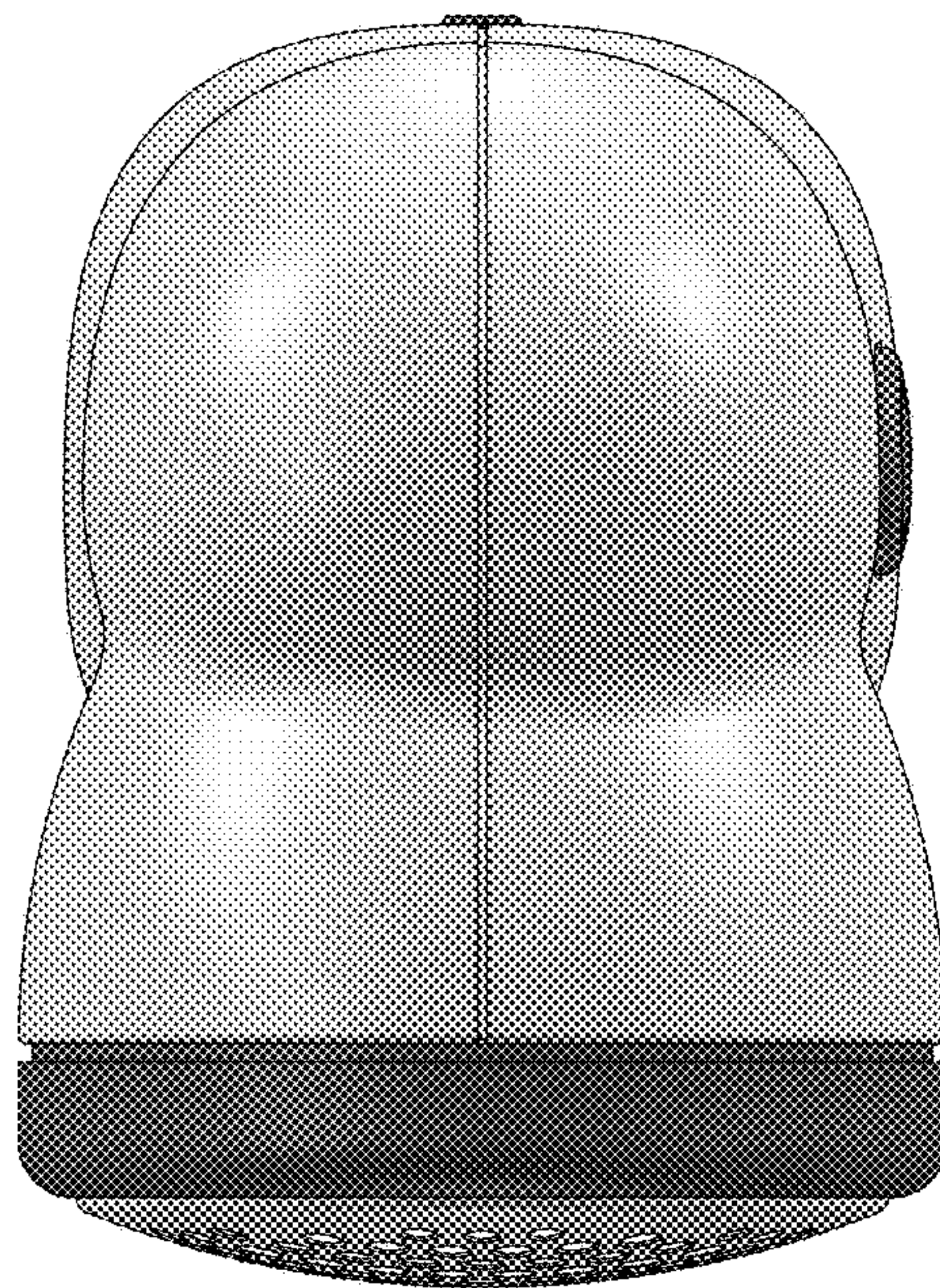


FIG.6

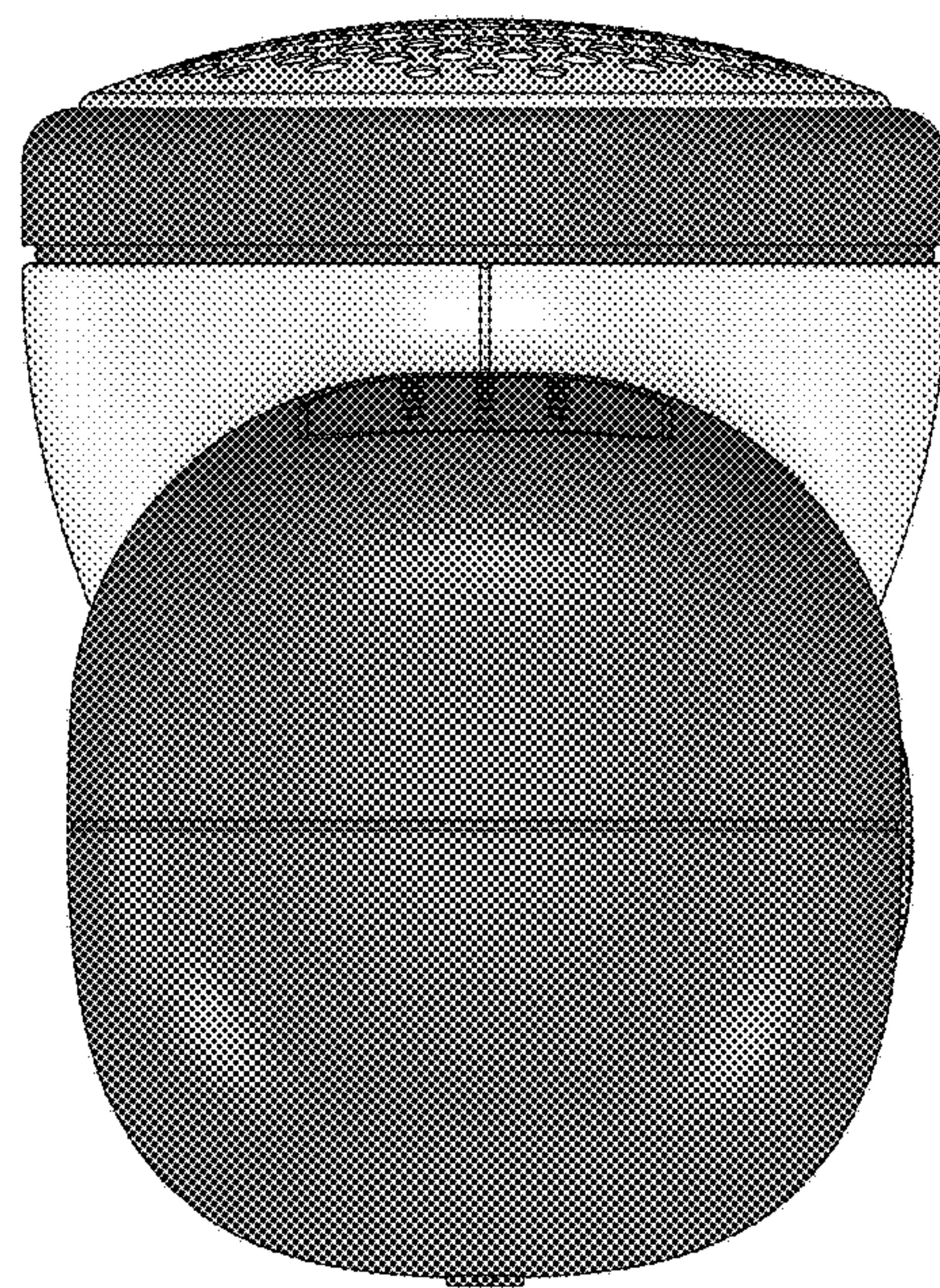


FIG.7



FIG.8



FIG.9



FIG.10

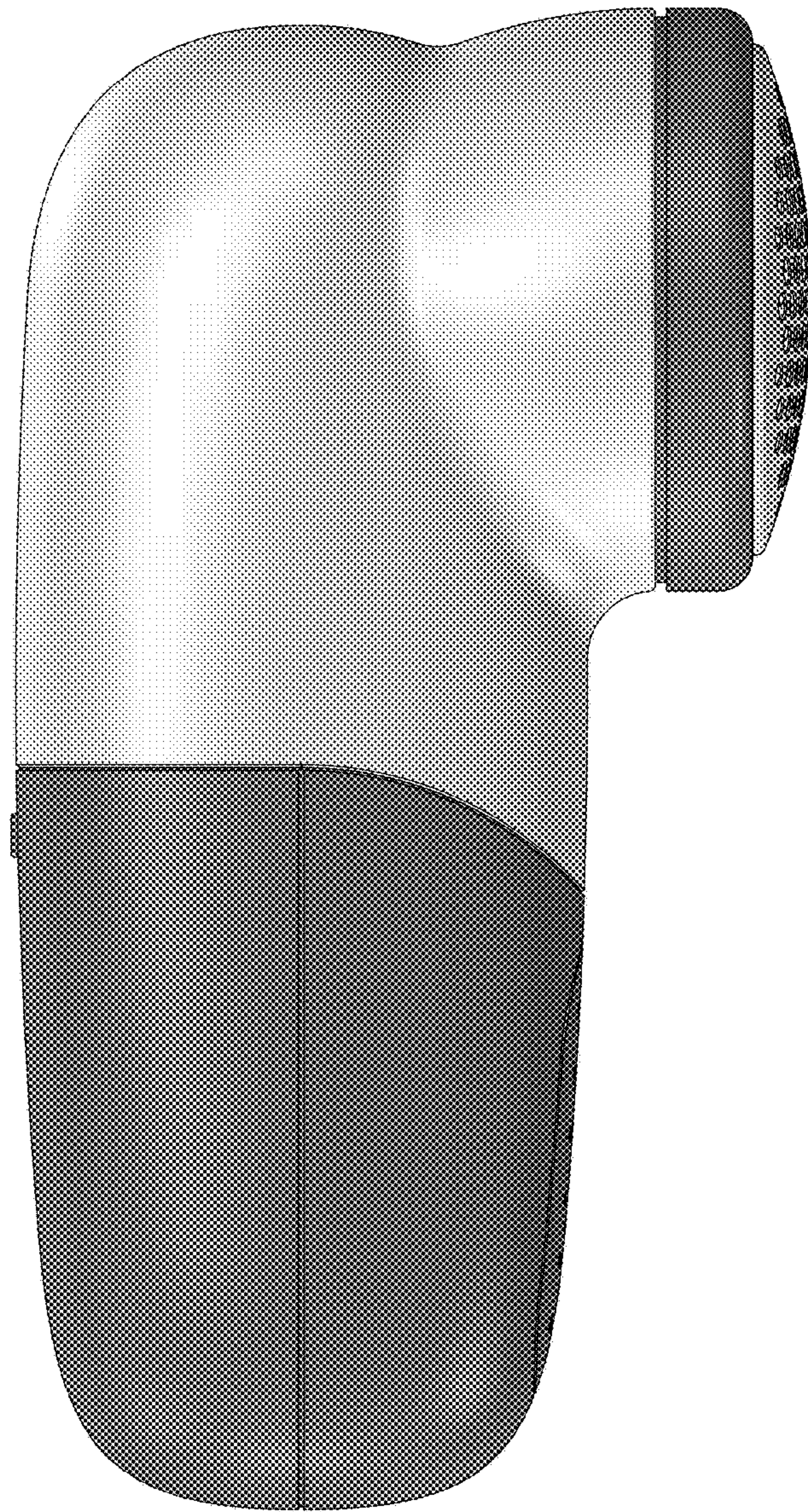


FIG.11

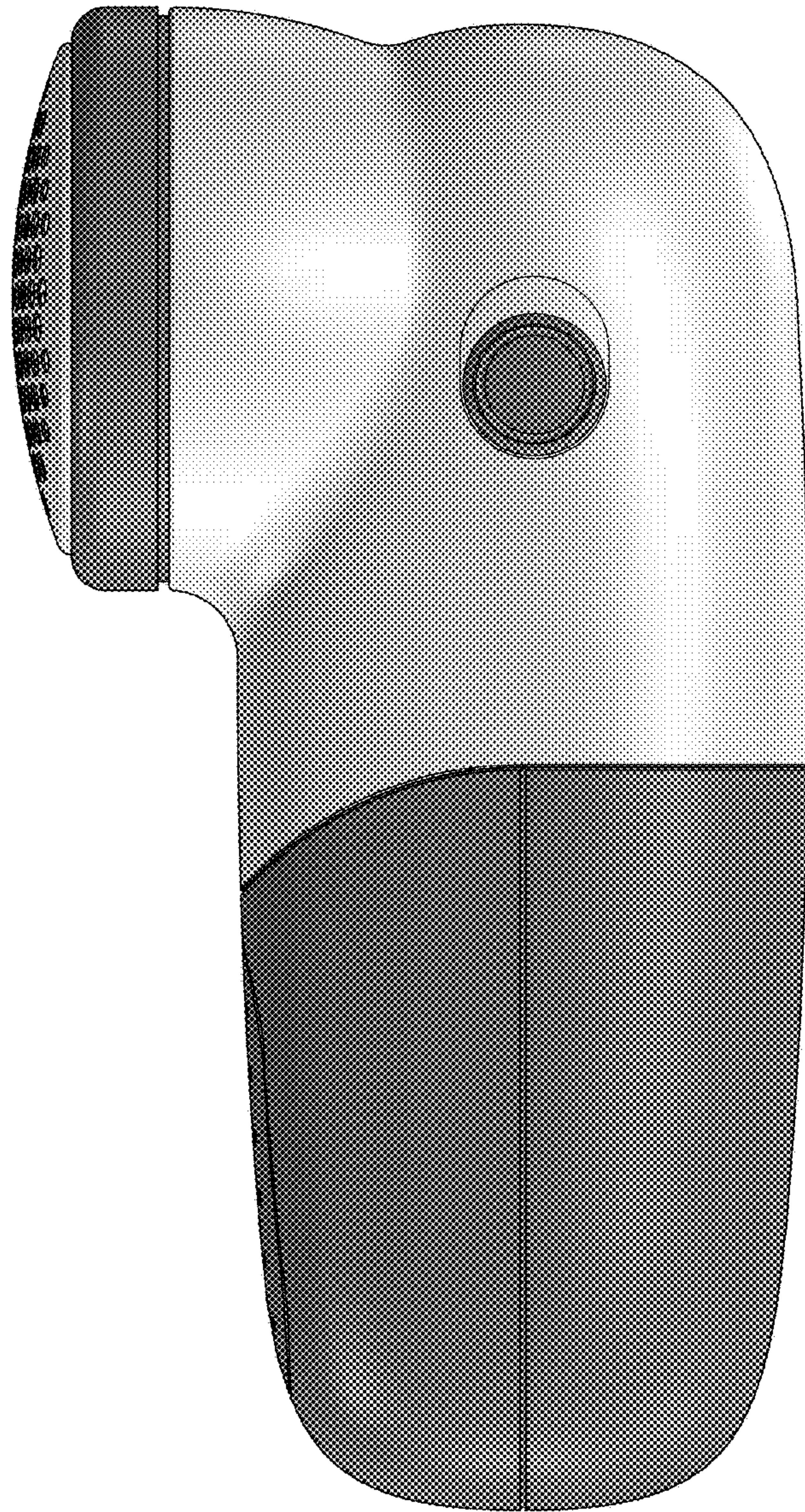


FIG.12

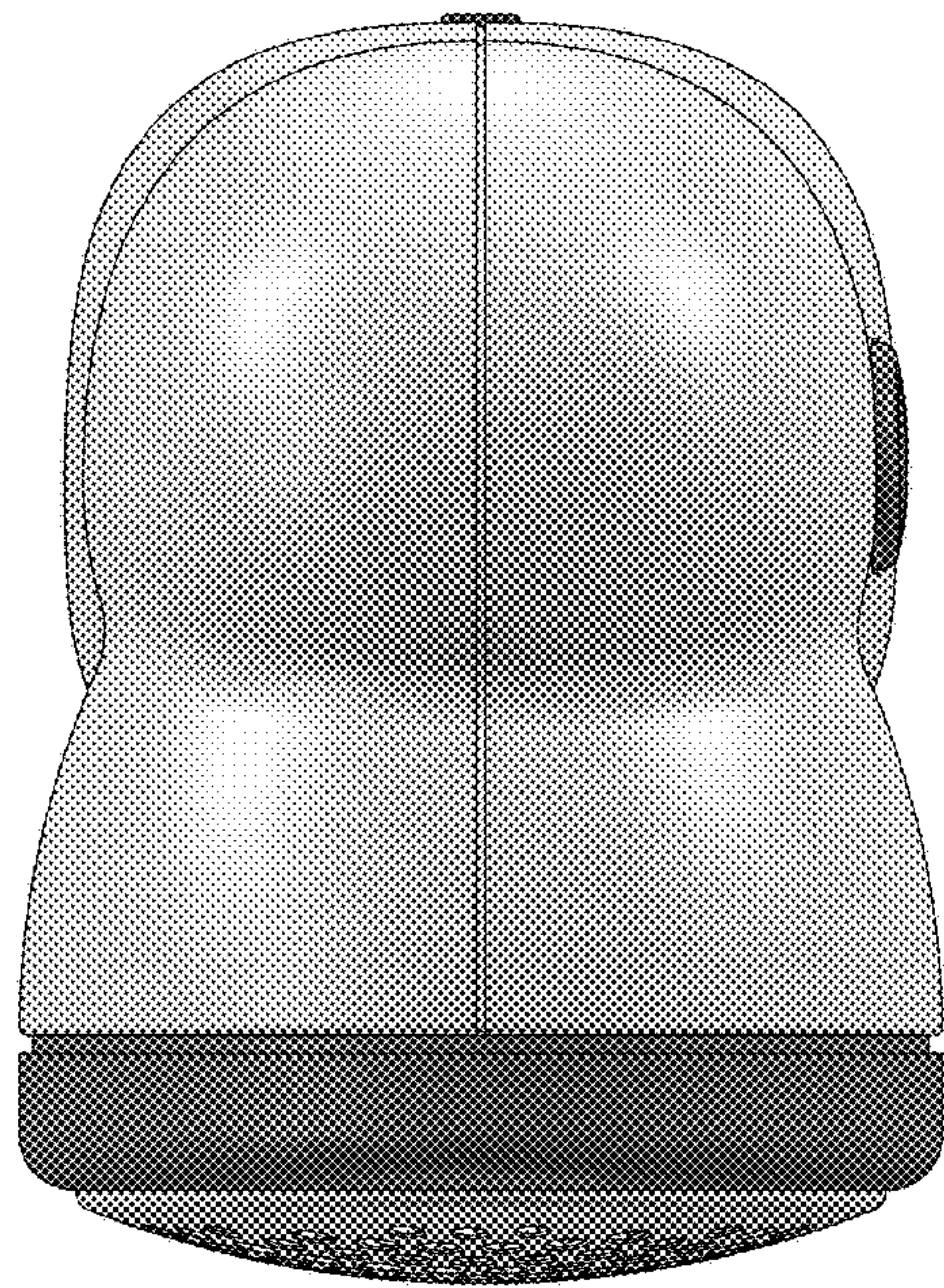


FIG.13

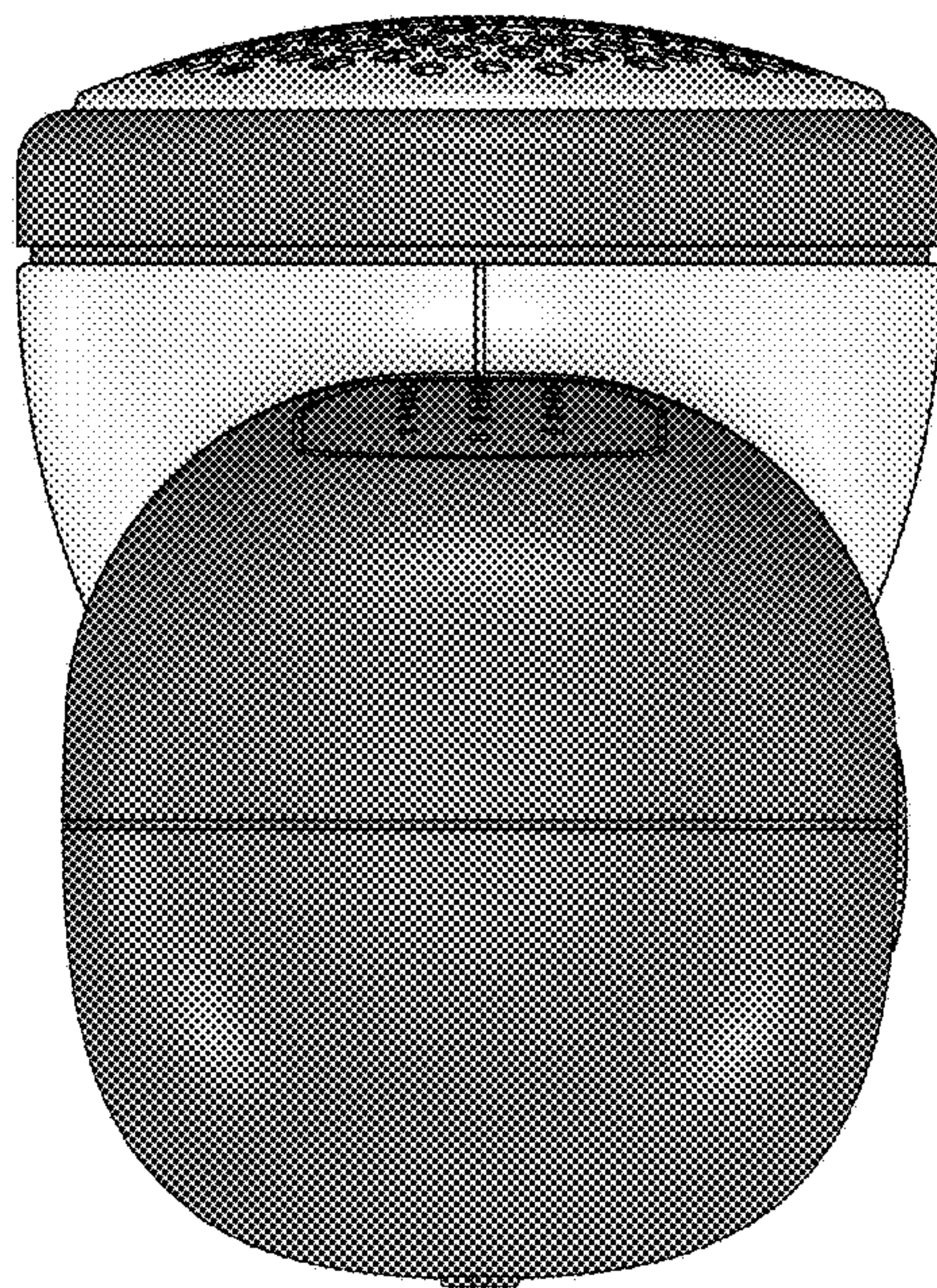


FIG.14