



US00D841237S

(12) **United States Design Patent** (10) **Patent No.:** **US D841,237 S**
Eggemeyer et al. (45) **Date of Patent:** **** Feb. 19, 2019**

(54) **LAUNDRY POD**
(71) Applicant: **Envirocon Technologies, Inc.**, Austin, TX (US)
(72) Inventors: **Curtis Eggemeyer**, Austin, TX (US); **Chris Merriam**, Austin, TX (US)
(73) Assignee: **ENVIROCON TECHNOLOGIES, INC.**, Austin, TX (US)
(**) Term: **15 Years**
(21) Appl. No.: **29/641,515**
(22) Filed: **Mar. 22, 2018**
(51) **LOC (11) Cl.** **28-02**
(52) **U.S. Cl.**
USPC **D28/8.1**
(58) **Field of Classification Search**
USPC D28/8.1-8.2; D9/415
CPC C11D 17/0047-17/006; C11D 17/0065-17/0091; C11D 17/0095; C11D 17/00-17/0039
See application file for complete search history.

D774,251 S * 12/2016 McLenithan D28/8.1
D777,373 S * 1/2017 Sunder D28/8.1
D783,203 S * 4/2017 Johnson D28/8.1
D809,200 S * 1/2018 Reda D28/8.1
D809,201 S * 1/2018 Reda D28/8.1
D809,708 S * 2/2018 Reda D28/8.1
D809,709 S * 2/2018 Reda D28/8.1
D809,710 S * 2/2018 Reda D28/8.1
D812,297 S * 3/2018 Johnson D28/8.1
D821,029 S * 6/2018 Crivolio D28/8.1
D821,646 S * 6/2018 Johnson D28/8.1
D825,847 S * 8/2018 Wissmann D28/8.1
D829,984 S * 10/2018 Gerhards D28/8.1
D829,985 S * 10/2018 Eggemeyer D28/8.1
D832,508 S * 10/2018 Johnson D28/8.1
2006/0122088 A1 * 6/2006 Sadlowski C11D 3/2075 510/295
2017/0057716 A1 * 3/2017 Fowler B65D 65/46

* cited by examiner

Primary Examiner — Jennifer Rivard

(57) **CLAIM**

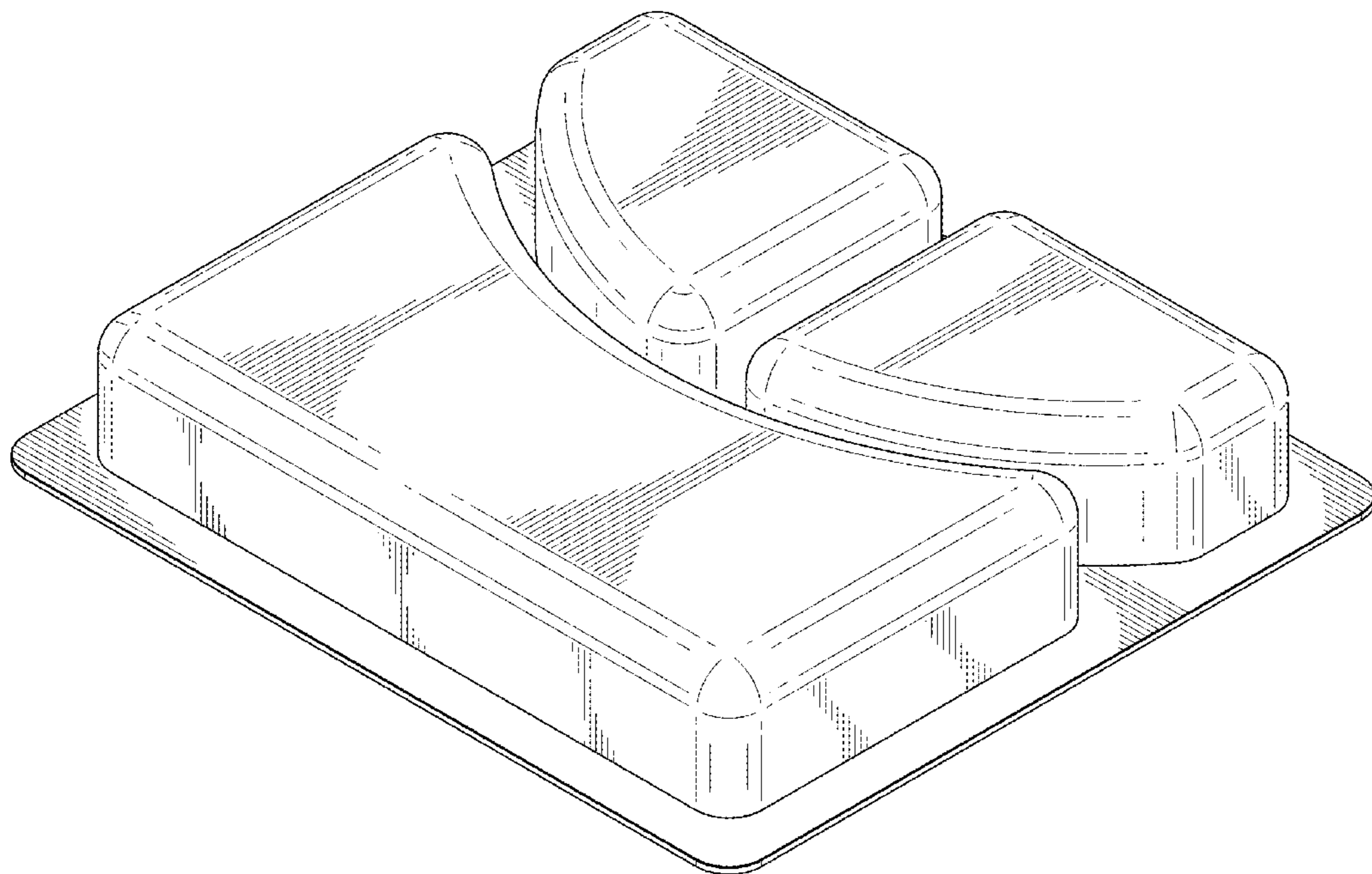
The ornamental design for a laundry pod, as shown and described.

DESCRIPTION

FIG. 1 is a front perspective view of a design of a laundry pod as claimed herein.
FIG. 2 is a front elevation view thereof.
FIG. 3 is a rear elevation view thereof.
FIG. 4 is a right side view thereof.
FIG. 5 is a left side view thereof.
FIG. 6 is a top view thereof; and,
FIG. 7 is a bottom view thereof.

1 Claim, 4 Drawing Sheets

(56) **References Cited**
U.S. PATENT DOCUMENTS
D490,567 S * 5/2004 McLeish D28/8.1
D679,863 S * 4/2013 Sunder D28/8.1
D689,240 S * 9/2013 Sunder D28/8.1
D689,241 S * 9/2013 Gerhards D28/8.1
D691,326 S * 10/2013 Gerhards D28/8.1
D728,157 S * 4/2015 Sarb D28/8.1
D759,891 S * 6/2016 Sarb D28/8.1
D774,249 S * 12/2016 McLenithan D28/8.1



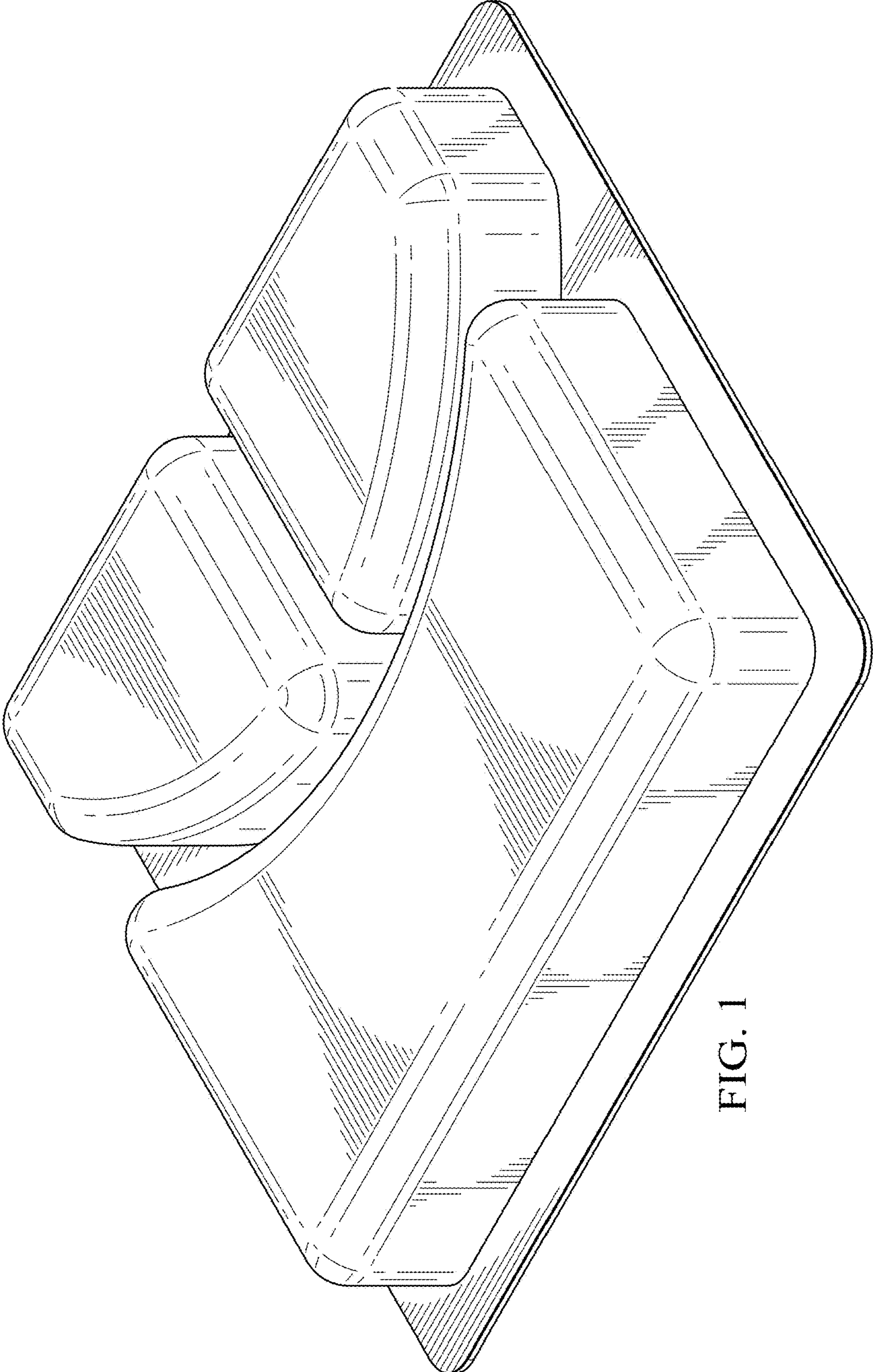


FIG. 1

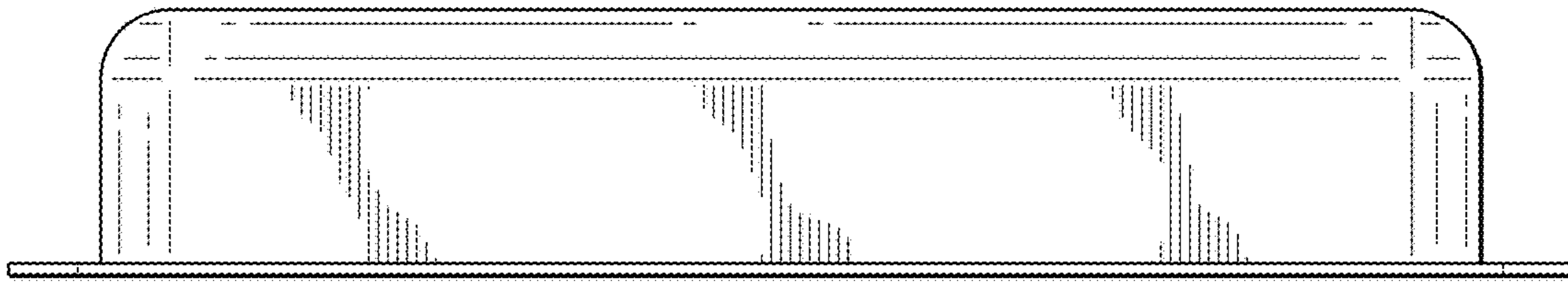


FIG. 2

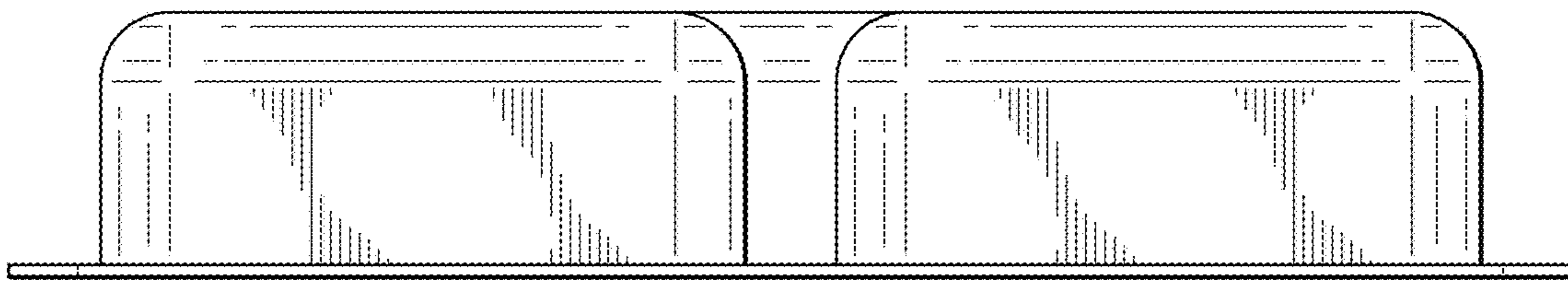


FIG. 3

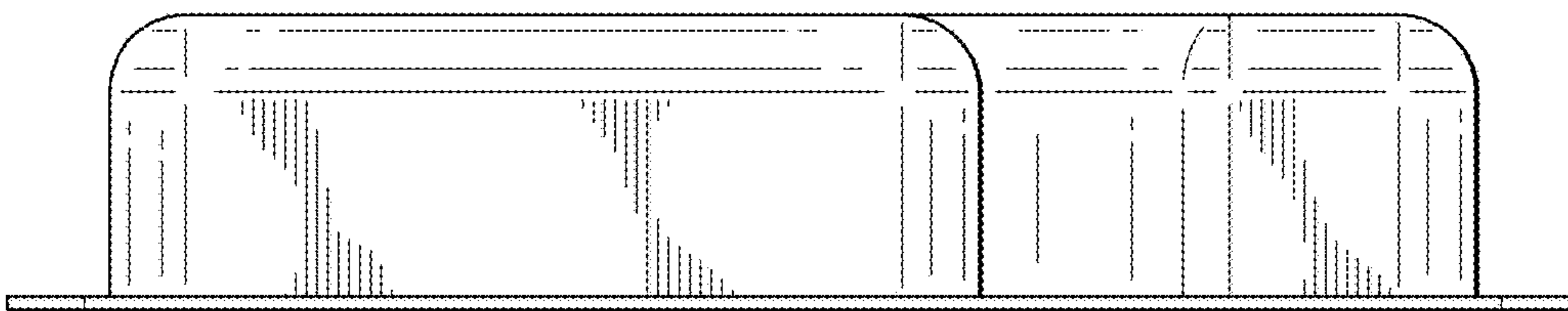


FIG. 4

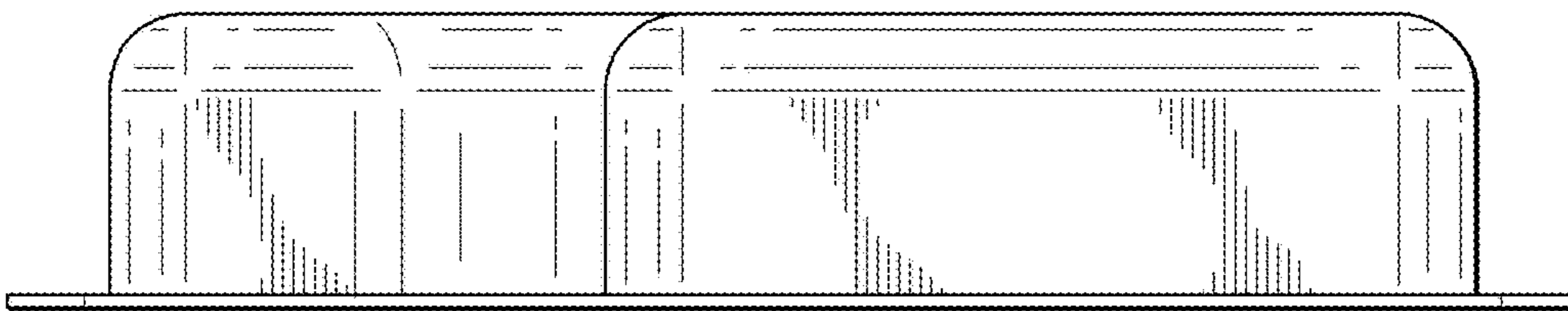


FIG. 5

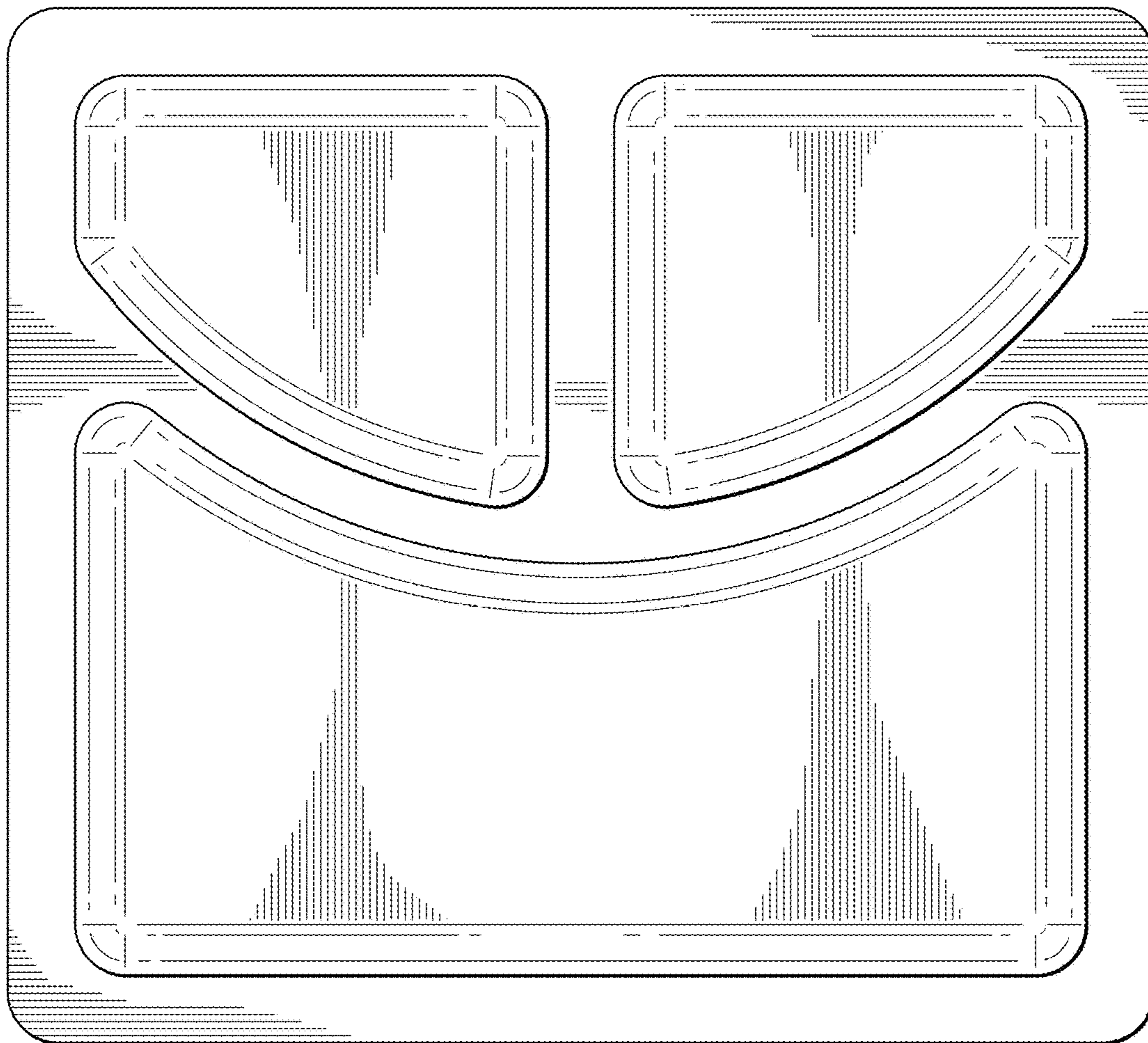


FIG. 6

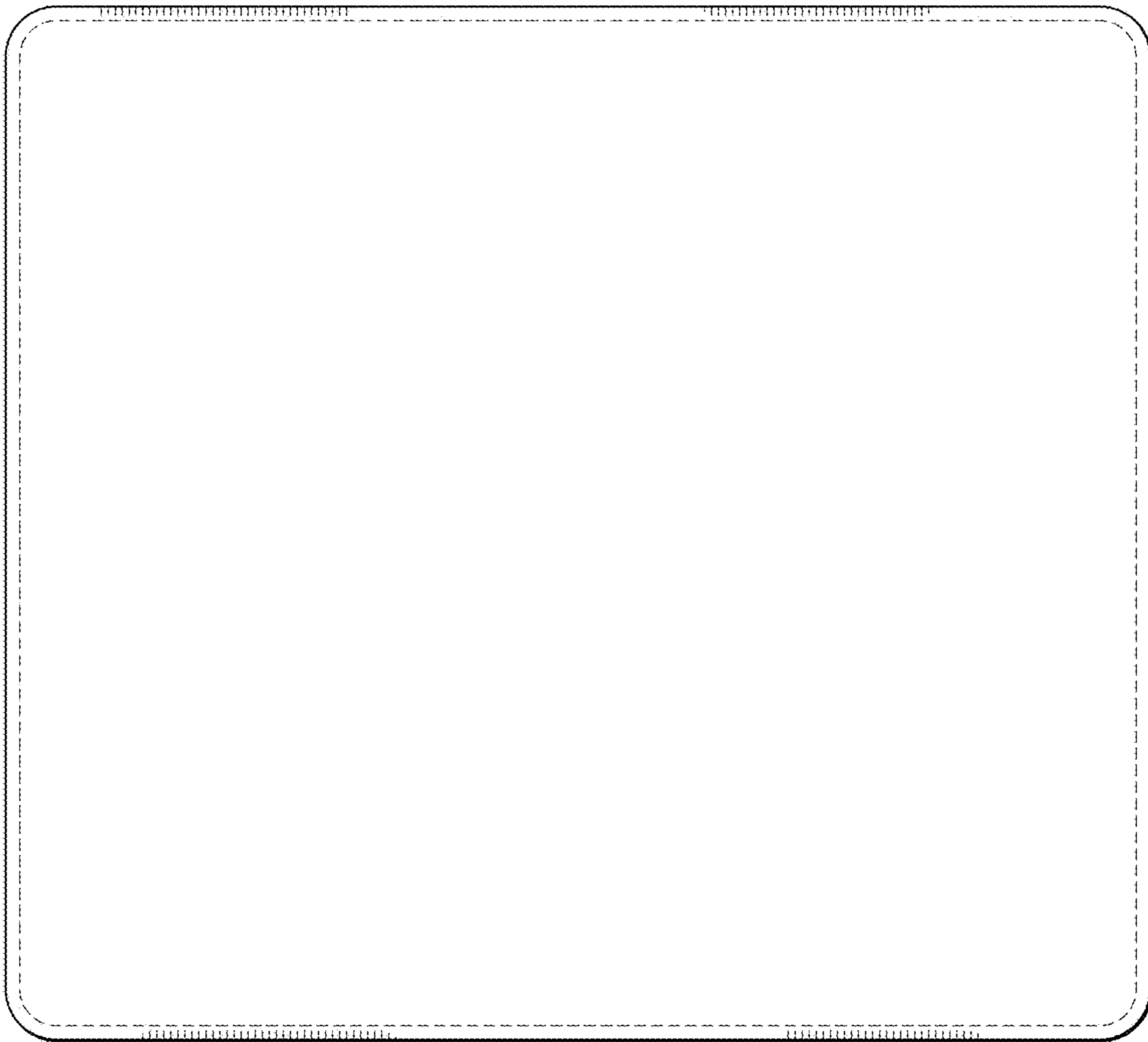


FIG. 7