



US00D841232S

(12) **United States Design Patent** (10) **Patent No.:** **US D841,232 S**
Lim et al. (45) **Date of Patent:** **** Feb. 19, 2019**

- (54) **FINGER COSMETIC APPLICATOR**
- (71) Applicant: **HCT GROUP HOLDINGS LIMITED**, Central (CN)
- (72) Inventors: **Cindy Sean Yuei Lim**, Santa Monica, CA (US); **Michelle Wong**, Alhambra, CA (US)
- (73) Assignee: **HCT GROUP HOLDINGS LIMITED**, Hong Kong (HK)
- (**) Term: **15 Years**
- (21) Appl. No.: **29/585,664**
- (22) Filed: **Nov. 28, 2016**

5,765,252 A	6/1998	Carr	
5,957,604 A	9/1999	Anderson	
6,357,944 B1	3/2002	Reed et al.	
7,416,358 B2	8/2008	Legendre	
8,157,465 B2 *	4/2012	Duru	A45D 34/04 401/132
8,730,194 B2 *	5/2014	Vellanki	G06F 3/044 345/173
D707,390 S	6/2014	Bunkley	
8,814,455 B2 *	8/2014	Golden	A45D 40/0087 401/132
D727,567 S	4/2015	Bunkley	
9,174,778 B2 *	11/2015	Toh	A45D 34/041
9,486,057 B2 *	11/2016	Morrow	A45D 40/26

* cited by examiner

Primary Examiner — Zenia I Bennett
(74) *Attorney, Agent, or Firm* — Seager, Tufte & Wickhem LLP

Related U.S. Application Data

- (62) Division of application No. 29/508,602, filed on Nov. 7, 2014, now Pat. No. Des. 776,341.
- (51) **LOC (11) Cl.** **28-03**
- (52) **U.S. Cl.**
USPC **D28/7**
- (58) **Field of Classification Search**
USPC D28/7, 8; D24/119; D4/132–135;
D32/40, 52
CPC . A61K 8/99; A61K 8/042; A61K 8/34; A61K
8/245; A61K 8/19
See application file for complete search history.

(57) **CLAIM**

The ornamental design for a finger cosmetic applicator, as shown and described.

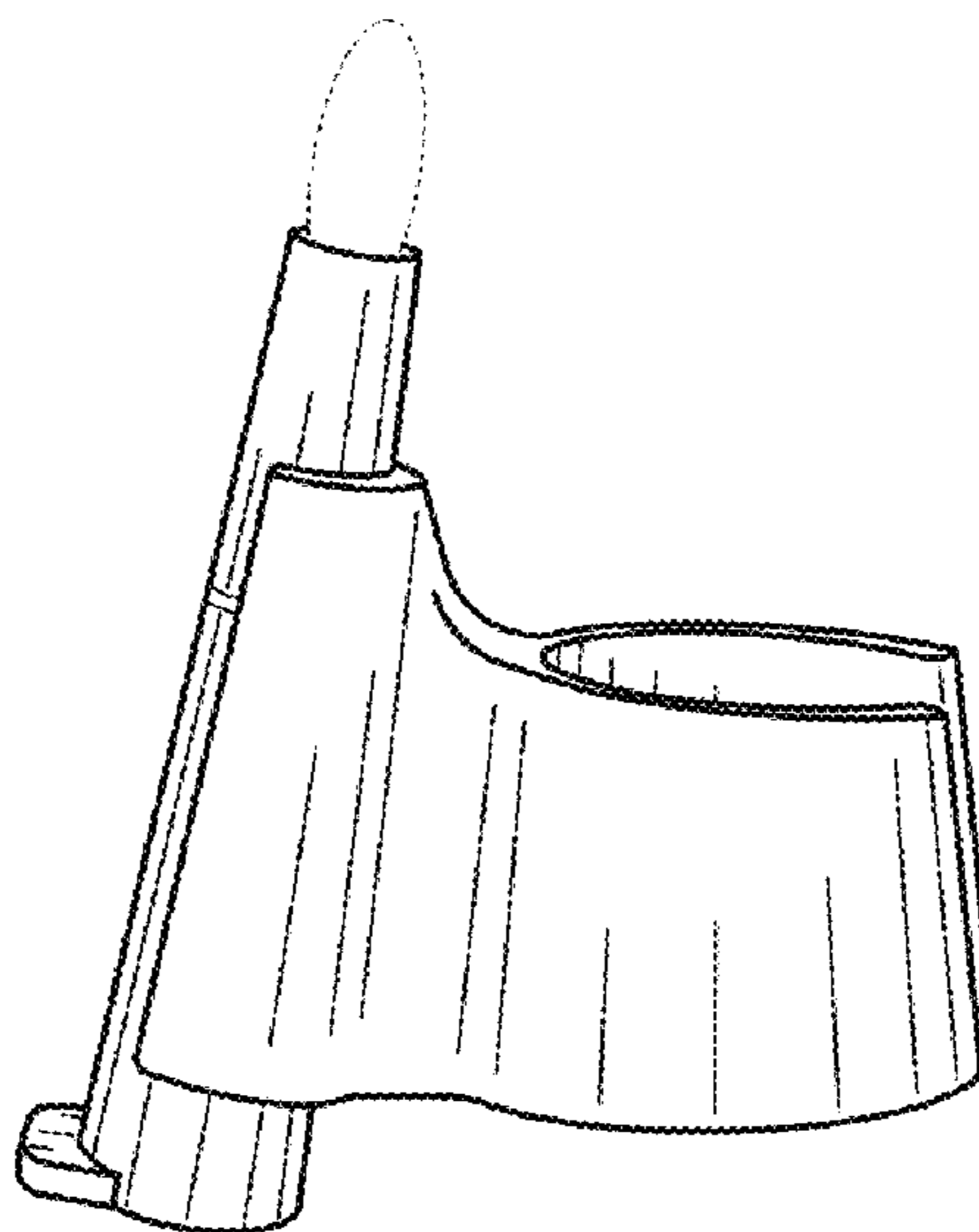
DESCRIPTION

FIG. 1 is a perspective view of the finger cosmetic applicator showing the new design;
FIG. 2 is a front elevation view thereof;
FIG. 3 is a right side view thereof, the left side view being a mirror image of the right side view;
FIG. 4 is a back view thereof;
FIG. 5 is a top view thereof; and,
FIG. 6 is a bottom view thereof.
The broken lines in the drawings illustrate unclaimed portions of the finger cosmetic applicator and form no part of the claimed design. The claimed design extends to the broken line boundaries but does not include the boundaries or the area within the boundaries.

(56) **References Cited**
U.S. PATENT DOCUMENTS

3,505,700 A	4/1970	Rodriguez
3,712,749 A	1/1973	Roberts
4,213,472 A	7/1980	Gueret et al.
D296,005 S	5/1988	Alkire
D328,366 S	7/1992	Villani

1 Claim, 1 Drawing Sheet



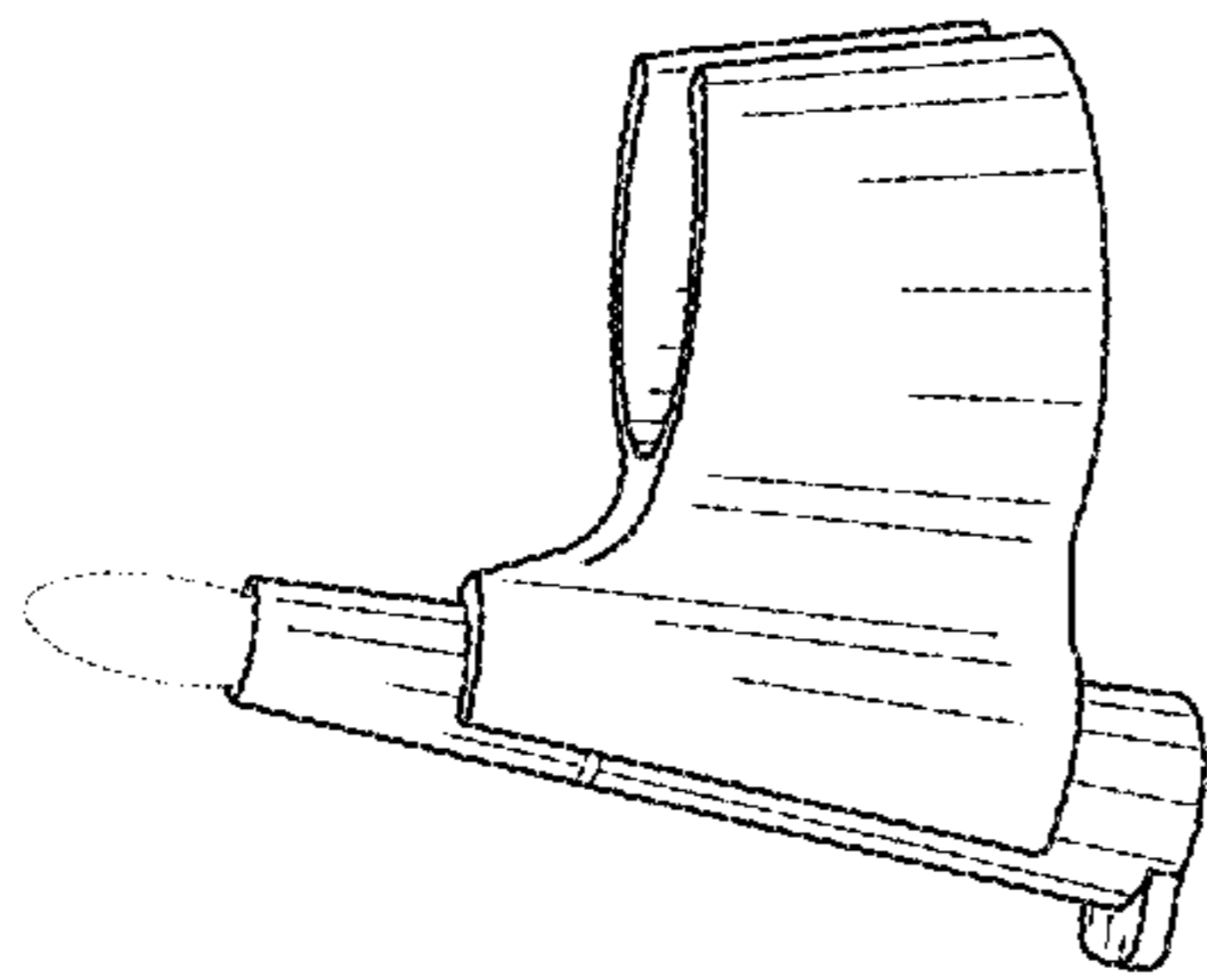


Fig. 1

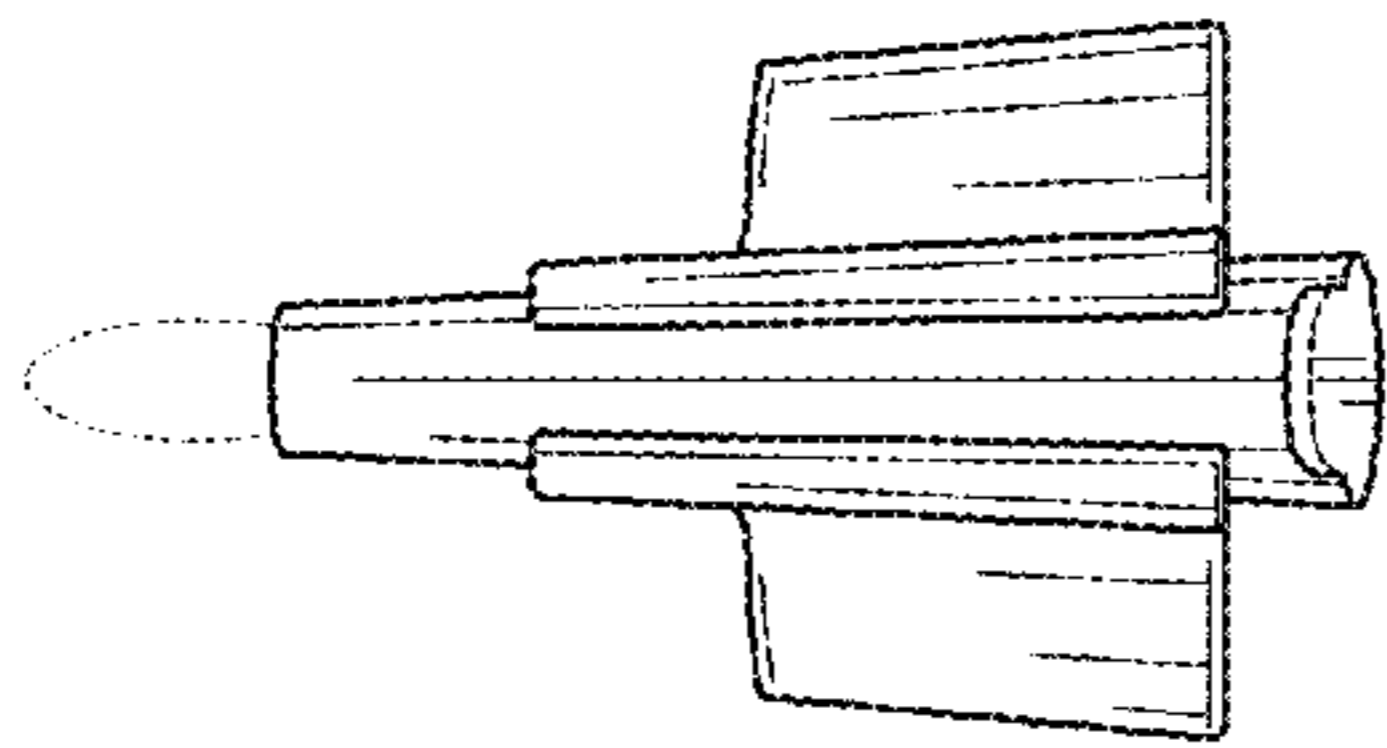


Fig. 2

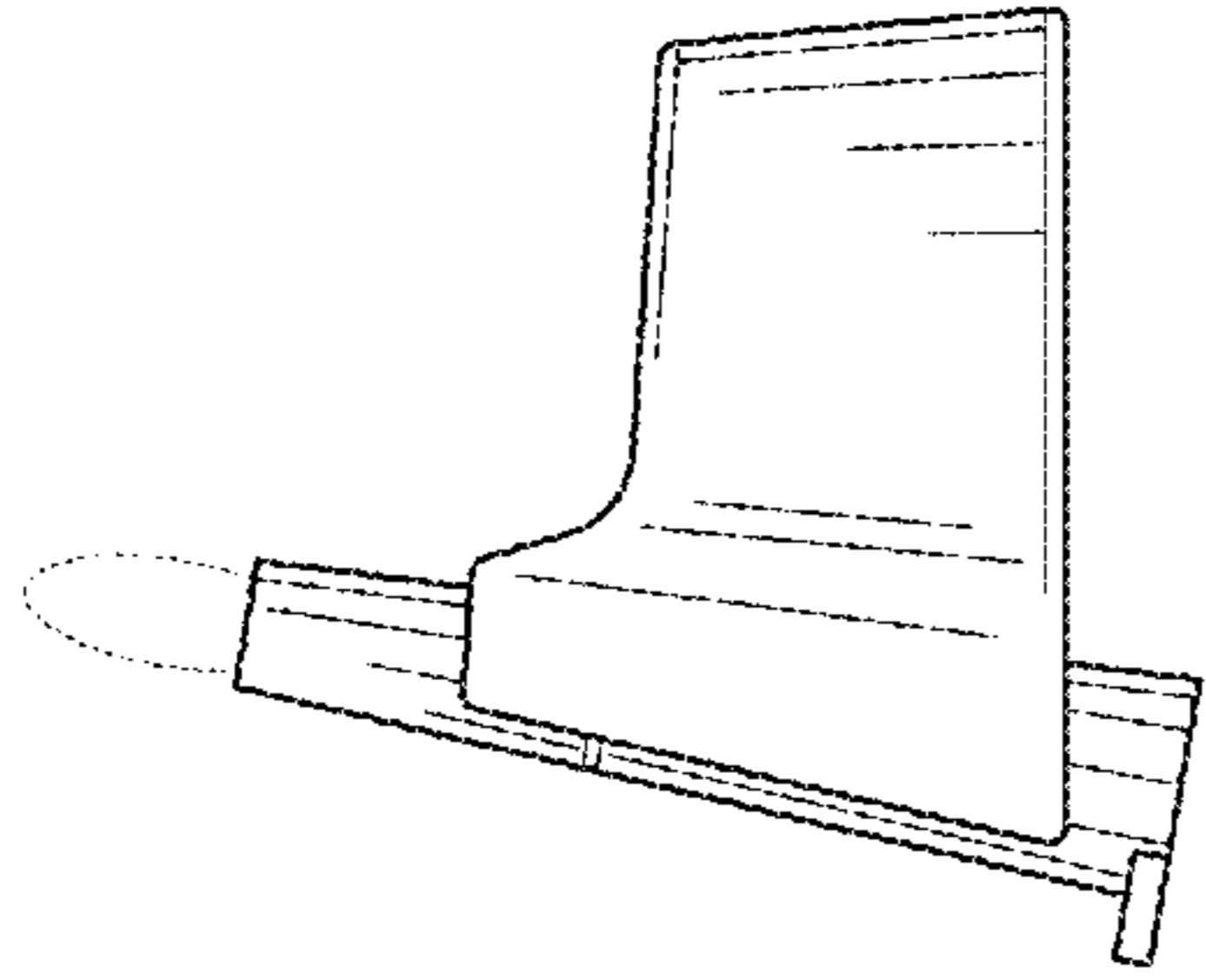


Fig. 3

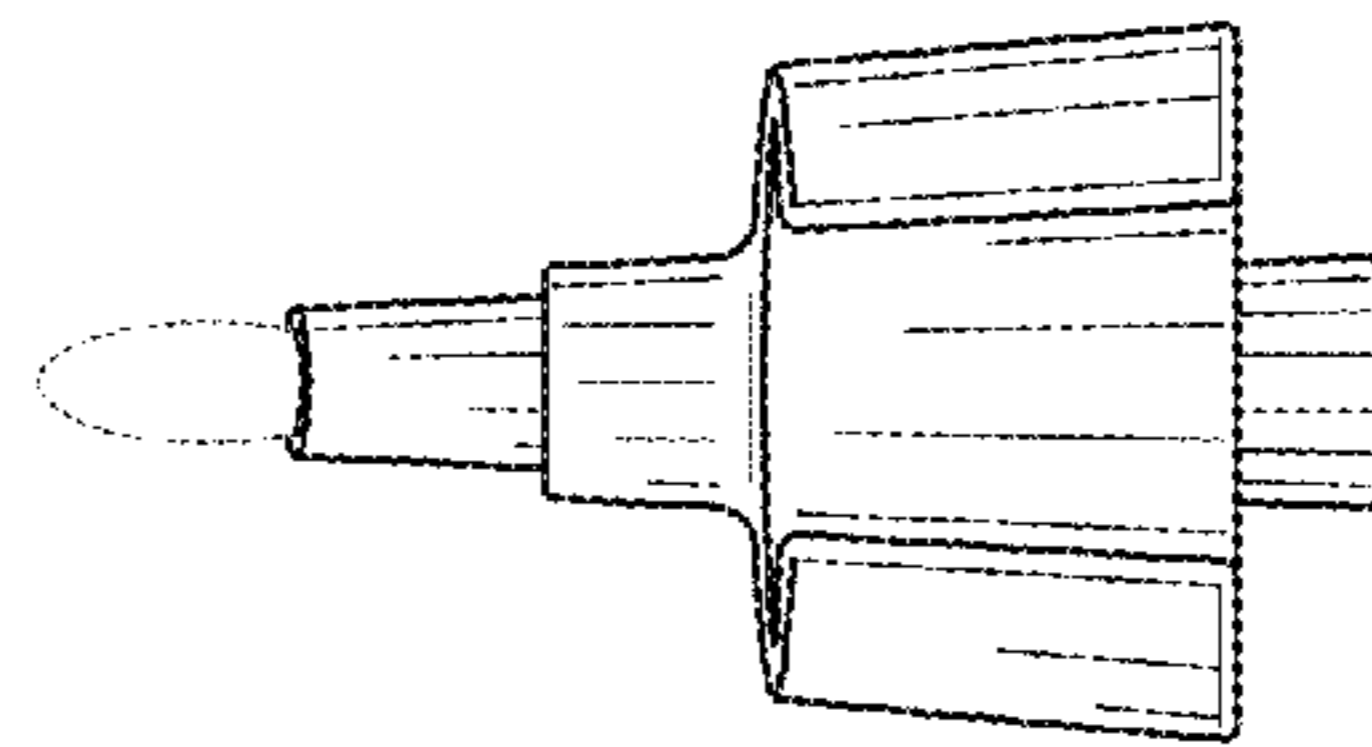


Fig. 4

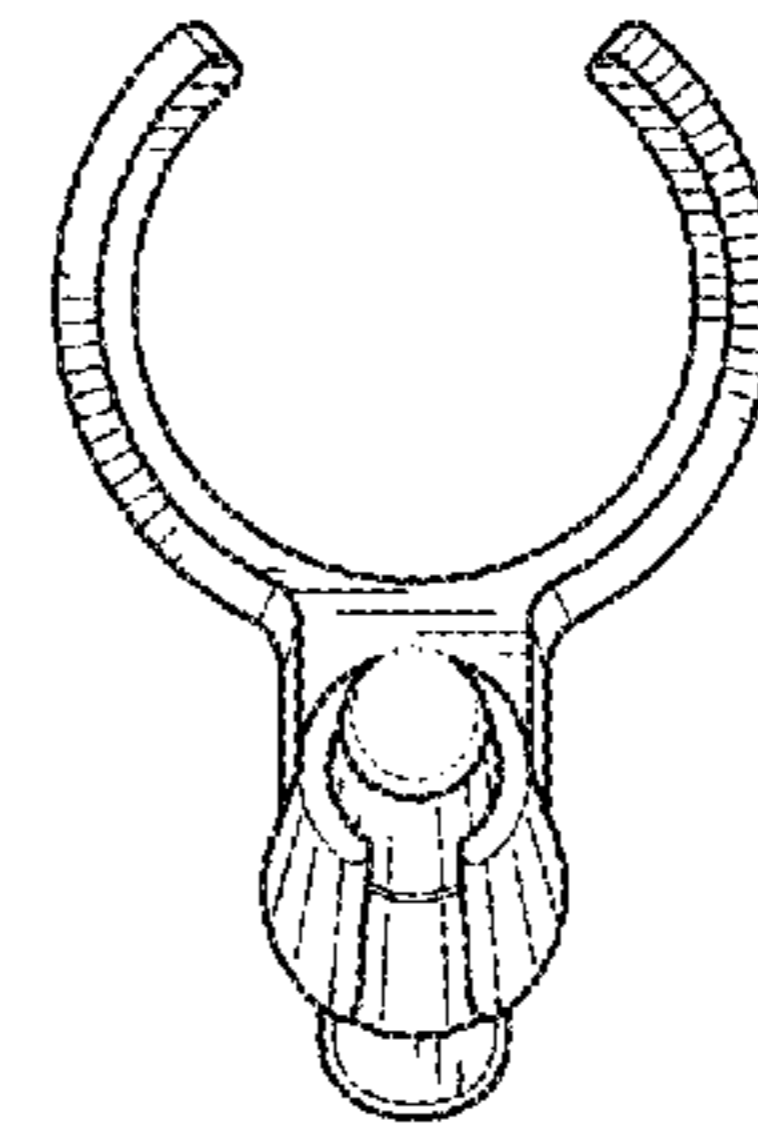


Fig. 5

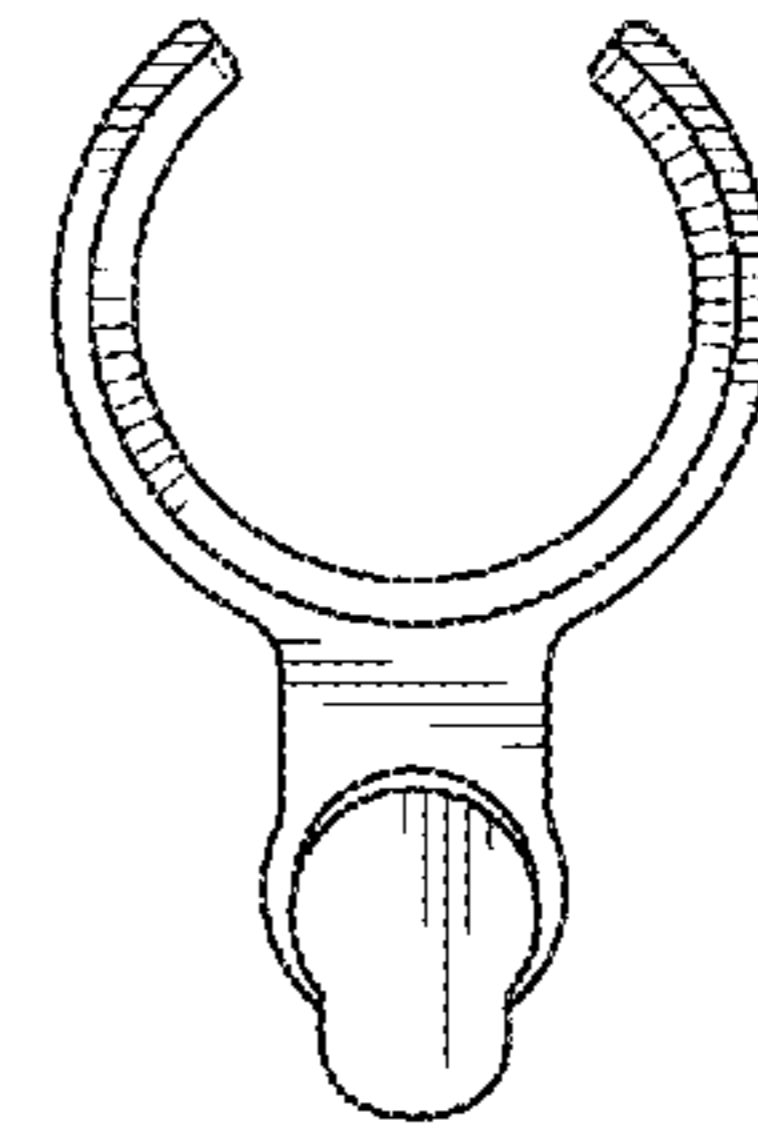


Fig. 6