



US00D841231S

(12) **United States Design Patent** (10) **Patent No.:** **US D841,231 S**
Hawes et al. (45) **Date of Patent:** **** Feb. 19, 2019**

(54) **ELECTRONIC VAPING DEVICE MOUTHPIECE**

(71) Applicant: **Altria Client Services LLC**,
Richmond, VA (US)

(72) Inventors: **Eric Hawes**, Glen Allen, VA (US); **Ali Rostami**, Glen Allen, VA (US)

(73) Assignee: **Altria Client Services, LLC**,
Richmond, VA (US)

(**) Term: **15 Years**

(21) Appl. No.: **29/554,552**

(22) Filed: **Feb. 12, 2016**

Related U.S. Application Data

(60) Continuation-in-part of application No. 29/511,909, filed on Dec. 15, 2015, now abandoned, which is a division of application No. 29/469,741, filed on Oct. 14, 2013, now Pat. No. Des. 722,196, which is a division of application No. 29/443,134, filed on Jan. 14, 2013, now Pat. No. Des. 691,765.

(51) **LOC (11) Cl.** **27-02**

(52) **U.S. Cl.**
USPC **D27/170**; D27/101

(58) **Field of Classification Search**
USPC D27/101, 162-164, 166, 167, 169-171;
D24/101
CPC A24F 7/00; A24F 7/02; A24F 7/04; A24F
47/00; A24F 47/002; A24F 47/004; A24F
47/006; A24F 47/008
See application file for complete search history.

(56) **References Cited**

U.S. PATENT DOCUMENTS

539,839 A 5/1895 Voron, I
1,013,157 A 1/1912 Hadaway, Jr.
1,514,682 A 11/1924 Wilson
1,771,366 A 7/1930 Wyss et al.

(Continued)

FOREIGN PATENT DOCUMENTS

BE 421623 A 6/1937
CD 000054630-0001- 9/2003
000084876-000

(Continued)

OTHER PUBLICATIONS

International Search Report and Written Opinion for PCT/US13/24211 dated Mar. 19, 2013. (10 pages).

(Continued)

Primary Examiner — Janice Hallmark

(74) *Attorney, Agent, or Firm* — Harness, Dickey & Pierce, P.L.C.

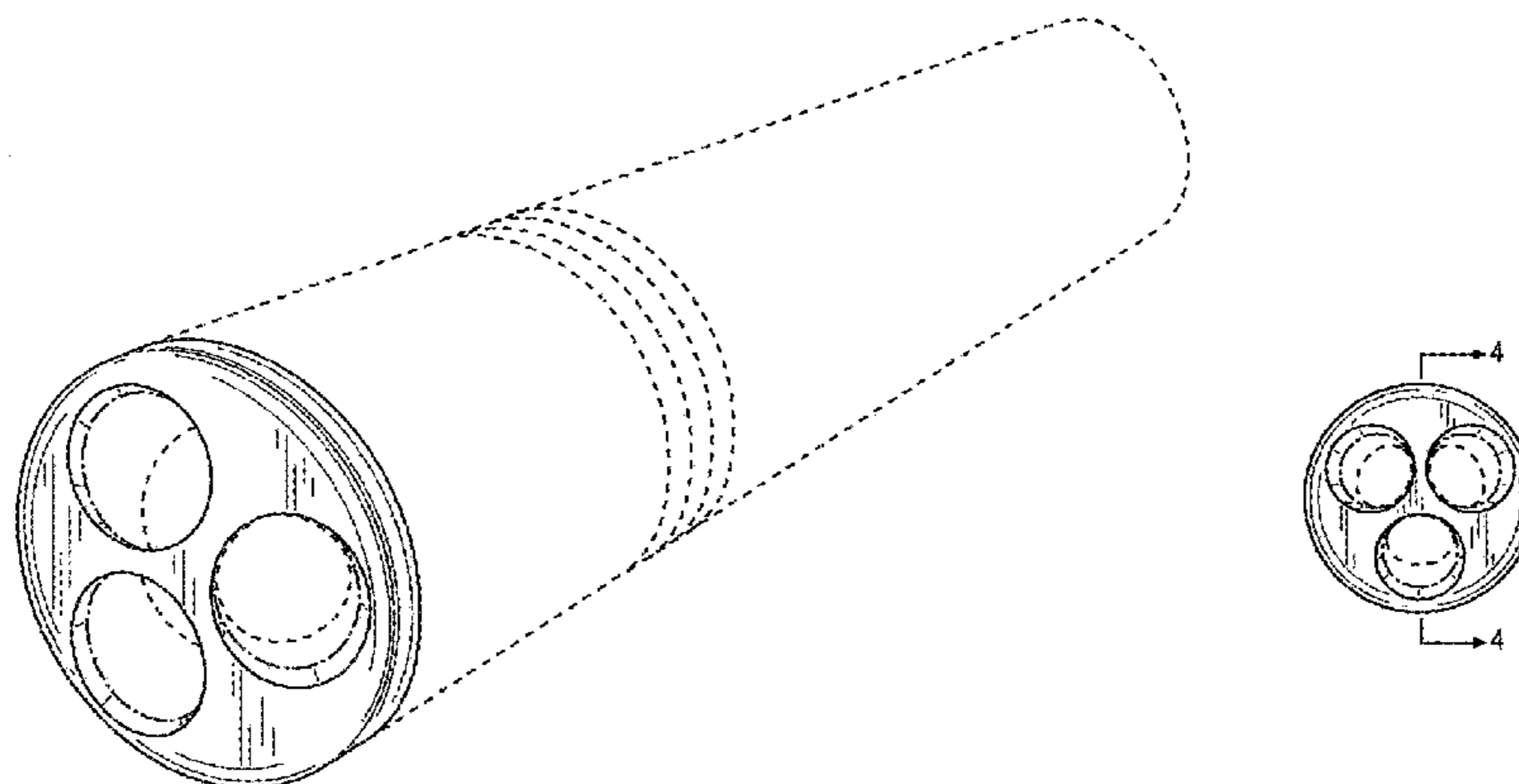
(57) **CLAIM**

The ornamental design for an electronic vaping device mouthpiece, as shown and described.

DESCRIPTION

FIG. 1 is a right perspective view of the electronic vaping device mouthpiece;
FIG. 2 illustrates an end elevation view of the electronic vaping device mouthpiece of FIG. 1;
FIG. 3 illustrates a top plan view electronic vaping device mouthpiece of FIG. 1, the bottom plan view being a mirror image; and,
FIG. 4 is a cross-sectional view, taken along line 4-4 shown in FIG. 2, of the electronic vaping device mouthpiece of FIG. 1.
The dash-dash broken lines in the drawings depict the environment in which the electronic vaping device mouthpiece is used and form no part of the claimed subject matter. The dash-dot-dash broken lines in the drawings depict the bounds of the claimed subject matter and form no part of the claimed design.

1 Claim, 4 Drawing Sheets



US D841,231 S

(56)

References Cited

U.S. PATENT DOCUMENTS

1,968,509 A	7/1934	Tiffany	5,016,656 A	5/1991	McMurtrie
2,057,353 A	10/1936	Whittlemore, Jr.	5,040,552 A	8/1991	Schleich et al.
2,104,266 A	1/1938	McCormick	5,042,510 A *	8/1991	Curtiss A24F 47/002
D125,122 S	2/1941	Urben			131/270
2,406,275 A	8/1946	Wejnarth	5,045,237 A	9/1991	Washburn
2,442,004 A	5/1948	Hayward-Butt	5,060,671 A	10/1991	Counts et al.
2,558,127 A	6/1951	Downs	5,076,296 A	12/1991	Nystrom et al.
2,836,183 A	5/1958	Fay et al.	5,085,804 A	2/1992	Washburn
2,907,686 A	10/1959	Siegel	5,093,894 A	3/1992	Deevi et al.
2,971,039 A	2/1961	Western	5,095,921 A	3/1992	Losee et al.
2,972,557 A	2/1961	Toulmin, Jr.	5,116,298 A	5/1992	Bondanelli et al.
2,974,669 A	3/1961	Ellis	5,137,578 A	8/1992	Chan
D193,753 S	10/1962	Watts et al.	5,139,594 A	8/1992	Rabin
3,062,218 A	11/1962	Temkovits	5,144,962 A	9/1992	Counts et al.
3,200,819 A	8/1965	Gilbert	5,144,964 A	9/1992	Demain
3,255,760 A	6/1966	Selker	5,157,242 A	10/1992	Hetherington et al.
3,258,015 A	6/1966	Ellis et al.	5,159,940 A	11/1992	Hayward et al.
3,356,094 A	12/1967	Ellis et al.	5,179,966 A	1/1993	Losee et al.
3,363,633 A	1/1968	Weber	5,224,498 A	7/1993	Deevi et al.
3,396,733 A	8/1968	Allseits et al.	5,228,460 A	7/1993	Sprinkel et al.
3,402,723 A	9/1968	Hu	5,235,157 A	8/1993	Blackburn
3,482,580 A	12/1969	Hollabaugh	5,249,586 A	10/1993	Morgan et al.
3,521,643 A	7/1970	Toth	5,269,327 A	12/1993	Counts et al.
3,559,300 A	2/1971	Fox	5,274,214 A	12/1993	Blackburn
3,587,573 A	6/1971	Flack	5,285,050 A	2/1994	Blackburn
3,608,560 A	9/1971	Briskin et al.	5,322,075 A	6/1994	Deevi et al.
D223,879 S	6/1972	Chernack	5,353,813 A	10/1994	Deevi et al.
3,681,018 A	8/1972	Karl-Georg et al.	5,369,723 A	11/1994	Counts et al.
3,720,235 A	3/1973	Schrock	5,388,594 A	2/1995	Counts et al.
3,738,374 A	6/1973	Bennett	5,396,911 A	3/1995	Casey, III et al.
3,744,496 A	7/1973	McCarty et al.	5,408,574 A	4/1995	Deevi et al.
D229,725 S	12/1973	Berger	5,473,251 A	12/1995	Mori
D229,788 S	1/1974	Berger	5,498,855 A	3/1996	Deevi et al.
D229,789 S	1/1974	Berger	5,505,214 A	4/1996	Collins et al.
D229,790 S	1/1974	Berger	D375,159 S	10/1996	Johansson
3,789,840 A	2/1974	Rosenblatt	5,591,368 A	1/1997	Fleischhauer et al.
3,804,100 A	4/1974	Fariello	5,592,955 A	1/1997	Keritsis
3,875,476 A	4/1975	Crandall et al.	5,595,706 A	1/1997	Sikka et al.
3,878,041 A	4/1975	Leitnaker et al.	5,611,360 A	3/1997	Tang
3,886,954 A	6/1975	Hannema et al.	5,613,504 A	3/1997	Collins et al.
3,889,690 A	6/1975	Guarnieri	5,724,997 A	3/1998	Smith et al.
3,895,219 A	7/1975	Richerson et al.	5,743,251 A	4/1998	Howell et al.
3,943,941 A	3/1976	Boyd et al.	5,865,185 A	2/1999	Collins et al.
D240,541 S	7/1976	Rupert	5,878,752 A	3/1999	Adams et al.
4,016,061 A	4/1977	Wasa et al.	5,935,975 A	8/1999	Rose et al.
4,068,672 A	1/1978	Guerra	6,155,268 A	12/2000	Takeuchi
4,077,784 A	3/1978	Vayrynen	6,196,218 B1	3/2001	Voges
4,083,372 A	4/1978	Boden	D453,854 S	2/2002	Verhoeven-Koster
4,098,725 A	7/1978	Yamamoto et al.	6,598,607 B2	7/2003	Adiga et al.
4,110,260 A	8/1978	Yamamoto et al.	6,715,487 B2	4/2004	Nichols et al.
4,131,119 A	12/1978	Blasutti	6,772,756 B2	8/2004	Shayan
4,141,369 A	2/1979	Burruss	6,854,470 B1	2/2005	Pu
4,164,230 A	8/1979	Pearlman	7,131,599 B2	11/2006	Katase
4,193,411 A	3/1980	Faris et al.	7,167,641 B2	1/2007	Tam et al.
4,209,026 A	6/1980	Dock	7,458,374 B2	12/2008	Hale et al.
4,215,708 A	8/1980	Bron	D590,988 S	4/2009	Hon
4,219,032 A	8/1980	Tabatznik et al.	D590,989 S	4/2009	Hon
4,246,913 A	1/1981	Ogden et al.	D590,990 S	4/2009	Hon
4,256,945 A	3/1981	Carter et al.	D590,991 S	4/2009	Hon
4,259,970 A	4/1981	Green, Jr.	D613,902 S	4/2010	Kaljura
4,331,166 A	5/1982	Hale	D614,346 S	4/2010	Lik
4,340,072 A	7/1982	Bolt et al.	7,726,320 B2	6/2010	Robinson et al.
D270,097 S *	8/1983	Minkevitch D27/127	D623,351 S	9/2010	Kirkeby
4,419,302 A	12/1983	Nishino et al.	D624,238 S	9/2010	Turner
4,457,319 A	7/1984	Lamb et al.	7,789,089 B2	9/2010	Dube et al.
4,493,331 A	1/1985	Porenski, Jr.	7,810,508 B2	10/2010	Wyss-Peters et al.
4,517,996 A	5/1985	Vester	7,832,410 B2	11/2010	Hon
4,649,944 A	3/1987	Houck, Jr. et al.	7,845,359 B2	12/2010	Montaser
4,687,008 A	8/1987	Houck, Jr. et al.	7,878,962 B2	2/2011	Karles et al.
4,765,347 A	8/1988	Sensabaugh, Jr. et al.	D638,194 S	5/2011	Lichstein
4,804,002 A	2/1989	Herron	7,938,124 B2	5/2011	Izumiya et al.
4,941,486 A	7/1990	Dube et al.	D642,330 S	7/2011	Turner
4,945,929 A	8/1990	Egilmex	7,997,280 B2	8/2011	Rosenthal
4,981,522 A	1/1991	Nichols et al.	D646,431 S *	10/2011	Awty D27/101
4,991,606 A	2/1991	Serrano et al.	D651,338 S *	12/2011	Awty D27/101
			8,079,371 B2	12/2011	Robinson et al.
			D652,987 S	1/2012	Kaljura
			D653,390 S	1/2012	Kaljura
			D653,802 S	2/2012	Kaljura

(56)

References Cited

U.S. PATENT DOCUMENTS

D655,036 S 2/2012 Zhou
 8,118,161 B2 2/2012 Guerrero et al.
 8,127,772 B2 3/2012 Montaser
 8,156,944 B2 4/2012 Han
 8,157,918 B2 4/2012 Becker et al.
 D662,257 S 6/2012 Alelov
 8,205,622 B2 6/2012 Pan
 D666,355 S 8/2012 Alelov
 8,314,591 B2 11/2012 Terry et al.
 D685,522 S 7/2013 Potter et al.
 8,495,998 B2 7/2013 Schennum
 8,499,766 B1 8/2013 Newton
 8,539,959 B1 9/2013 Scatterday
 D691,324 S 10/2013 Saliman
 D691,765 S * 10/2013 Tucker D27/101
 D691,766 S * 10/2013 Tucker D27/101
 D692,613 S 10/2013 Morreale
 8,550,068 B2 10/2013 Terry et al.
 D695,449 S * 12/2013 Tucker D27/101
 D722,196 S * 2/2015 Tucker D27/101
 D724,262 S * 3/2015 Hearn D27/101
 D724,781 S * 3/2015 Hearn D27/101
 D725,822 S * 3/2015 Liu D27/101
 D726,364 S 4/2015 Weigensberg
 D726,365 S 4/2015 Weigenberg
 D727,564 S 4/2015 LaForge et al.
 D727,565 S 4/2015 LaForge et al.
 D728,154 S 4/2015 Lavanchy et al.
 9,004,073 B2 4/2015 Tucker et al.
 D728,852 S 5/2015 Hearn et al.
 D729,439 S 5/2015 Scatterday
 D738,036 S * 9/2015 Tucker D27/101
 D738,566 S * 9/2015 Tucker D27/101
 D738,567 S * 9/2015 Tucker D27/101
 D743,097 S * 11/2015 Tucker D27/101
 D748,323 S * 1/2016 Tucker D27/101
 D749,780 S * 2/2016 Bramley D27/169
 D750,834 S 3/2016 Wei
 D750,835 S 3/2016 Wei
 D753,872 S * 4/2016 Mittersinker D27/101
 D754,919 S * 4/2016 Alarcon D27/101
 D756,564 S * 5/2016 Yerkic-Husejnovic D27/194
 D759,296 S * 6/2016 Abroff D27/101
 D763,503 S * 8/2016 Bramley D27/101
 D767,820 S * 9/2016 Jordan D27/170
 D767,822 S * 9/2016 Jordan D27/194
 D770,086 S 10/2016 Tucker et al.
 D770,676 S 11/2016 Bennett et al.
 D774,693 S * 12/2016 Liu D27/162
 D779,725 S * 2/2017 Bramley D27/170
 D780,993 S * 3/2017 Bramley D27/170
 D782,108 S * 3/2017 Jordan D27/167
 D797,369 S 9/2017 Yamada et al.
 D797,990 S 9/2017 Hawes et al.
 D798,447 S 9/2017 Leather
 D802,207 S 11/2017 Bramley et al.
 D803,475 S 11/2017 Scheiber
 D804,090 S 11/2017 Verleur et al.
 D804,091 S 11/2017 Fornarelli
 2002/0005207 A1 1/2002 Wrenn et al.
 2004/0020500 A1 2/2004 Wrenn et al.
 2004/0099266 A1 5/2004 Cross et al.
 2005/0016550 A1 1/2005 Katase
 2005/0016553 A1 1/2005 Iannuzzi
 2005/0175331 A1 8/2005 Tam et al.
 2006/0191546 A1 8/2006 Takano et al.
 2006/0196518 A1 9/2006 Hon
 2006/0254604 A1 * 11/2006 Martinez Fernandez
 A24F 47/002
 131/273
 2007/0095357 A1 5/2007 Besso et al.
 2007/0267031 A1 11/2007 Hon
 2007/0267032 A1 11/2007 Shan
 2008/0092912 A1 4/2008 Robinson et al.
 2008/0230052 A1 9/2008 Montaser

2008/0276947 A1 11/2008 Martzel
 2009/0007925 A1 1/2009 Rasouli et al.
 2009/0044816 A1 2/2009 Rasouli et al.
 2009/0126745 A1 5/2009 Hon
 2009/0151717 A1 6/2009 Bowen et al.
 2009/0162294 A1 6/2009 Werner
 2009/0188490 A1 7/2009 Han
 2009/0230117 A1 9/2009 Fernando et al.
 2009/0272379 A1 11/2009 Thorens et al.
 2010/0031968 A1 2/2010 Sheikh et al.
 2010/0083959 A1 4/2010 Siller
 2010/0126505 A1 5/2010 Rinker
 2010/0200008 A1 8/2010 Taieb
 2010/0206317 A1 8/2010 Albino et al.
 2010/0307518 A1 12/2010 Wang
 2011/0011396 A1 1/2011 Fang
 2011/0036346 A1 2/2011 Cohen et al.
 2011/0036363 A1 2/2011 Urtsev et al.
 2011/0088707 A1 4/2011 Hajaligol
 2011/0094523 A1 4/2011 Thorens et al.
 2011/0120455 A1 5/2011 Murphy
 2011/0120482 A1 5/2011 Brenneise
 2011/0155153 A1 6/2011 Thorens et al.
 2011/0209717 A1 9/2011 Han
 2011/0220134 A1 9/2011 Duke et al.
 2011/0232654 A1 9/2011 Mass
 2011/0245493 A1 10/2011 Rabinowitz et al.
 2011/0265806 A1 11/2011 Alarcon et al.
 2011/0277756 A1 11/2011 Terry et al.
 2011/0277757 A1 11/2011 Terry et al.
 2011/0277760 A1 11/2011 Terry et al.
 2011/0277761 A1 11/2011 Terry et al.
 2011/0277764 A1 11/2011 Terry et al.
 2011/0277780 A1 11/2011 Terry et al.
 2011/0303231 A1 12/2011 Li et al.
 2011/0304282 A1 12/2011 Li et al.
 2012/0006342 A1 1/2012 Rose et al.
 2012/0090629 A1 4/2012 Turner et al.
 2012/0111347 A1 5/2012 Hon
 2012/0118301 A1 5/2012 Montaser
 2012/0145169 A1 6/2012 Wu
 2012/0167906 A1 7/2012 Gysland
 2012/0186593 A1 * 7/2012 Grano A24D 3/041
 131/202
 2012/0186594 A1 7/2012 Liu
 2012/0199146 A1 8/2012 Marangos
 2012/0199663 A1 8/2012 Qiu
 2012/0211015 A1 8/2012 Li et al.
 2012/0230659 A1 9/2012 Goodman et al.
 2012/0260927 A1 10/2012 Liu
 2012/0285475 A1 11/2012 Liu
 2012/0312313 A1 12/2012 Frija
 2012/0318283 A1 12/2012 Watanabe et al.
 2012/0318882 A1 12/2012 Abehasera
 2013/0014772 A1 1/2013 Liu
 2013/0019887 A1 1/2013 Liu
 2013/0025609 A1 1/2013 Liu
 2013/0032159 A1 2/2013 Capuano
 2013/0081642 A1 4/2013 Safari
 2013/0118509 A1 5/2013 Richardson
 2013/0192623 A1 8/2013 Tucker et al.
 2013/0213418 A1 * 8/2013 Tucker A24F 47/008
 131/328
 2013/0213419 A1 8/2013 Tucker et al.
 2014/0238421 A1 8/2014 Shapiro
 2016/0044964 A1 * 2/2016 Liu A24F 47/008
 392/398
 2016/0143354 A1 * 5/2016 Liu A24F 47/002
 131/329
 2016/0183589 A1 * 6/2016 Born A24F 1/28
 131/191
 2016/0235115 A1 * 8/2016 Han A24F 1/128

FOREIGN PATENT DOCUMENTS

CD 000084876-0001- 1/2004
 000084876-001
 CN 87104459 A 2/1988

(56)

References Cited

FOREIGN PATENT DOCUMENTS

CN	1016567	B	5/1992
CN	277799		5/2006
CN	2777995	Y	5/2006
CN	101322579	A	12/2008
CN	201571500	U	9/2010
CN	201709398	U	1/2011
CN	201789924	U	4/2011
CN	201797997	U	4/2011
CN	102106611	A	6/2011
CN	201860753	U	6/2011
CN	102166044	A	8/2011
CN	201986689	U	9/2011
CN	202014571		10/2011
CN	202014571	U	10/2011
CN	202014572	U	10/2011
CN	202026802		10/2011
CN	202026802	U	11/2011
CN	202026804	U	11/2011
CN	20223305	U	5/2012
CN	20223307		5/2012
CN	20223307	U	5/2012
DE	3640917	A1	8/1988
DE	3735704	A1	5/1989
EM	000054630-001		9/2003
EM	00054630-0001-		9/2003
	000054630-0002		
EM	000054630-0002		9/2003
EM	000084876-0001		1/2004
EM	000084876-0001-		1/2004
	000084876-001		
EM	000084876-0002		1/2004
EM	000084876-0003		1/2004
EM	000084876-0004		1/2004
EM	000084876-0005		1/2004
EM	000084876-0006		1/2004
EM	000084876-0007		1/2004
EM	000084876-0008		1/2004
EM	000084876-0009		1/2004
EM	000084876-0010		1/2004
EM	000084876-0011		1/2004
EM	000084876-0012		1/2004
EM	000084876-0013		1/2004
EM	000084876-0014		1/2004
EM	000084876-0015		1/2004
EM	000084876-0016		1/2004
EM	000084876-0017		1/2004
EM	002272559-0007		5/2013
EM	002272559-0007		7/2013
EP	0893071	A1	7/1908
EP	0117355	A2	9/1984
EP	0277519	A2	8/1988
EP	0295122	A2	12/1988
EP	0358002	A2	3/1990
EP	0358114	A2	3/1990
EP	0430566	A2	6/1991
EP	0438862	A2	7/1991
EP	0608783	A1	8/1994
EP	0845220	A1	6/1998
EP	1128741	A1	9/2001
EP	1618803	A1	1/2006
EP	1736065	A1	12/2006
EP	2113178	A1	11/2009
NL	8201585	A	11/1982
WO	WO-86/02528	A1	5/1986
WO	WO-95/02970	A1	2/1995
WO	WO-00/28843	A1	5/2000
WO	WO-2004/043175	A1	5/2004
WO	WO-2004/080216	A1	9/2004
WO	WO-2004/095955	A1	11/2004
WO	WO-2005/099494	A1	10/2005
WO	WO-2007/066374	A1	6/2007
WO	WO-2007/078273	A1	7/2007
WO	WO-2007/098337	A2	8/2007
WO	WO-2007/131449	A1	11/2007
WO	WO-2007/131450	A1	11/2007

WO	WO-2007/141668	A2	12/2007
WO	WO-2008/055423	A1	5/2008
WO	WO-2010/091593	A1	8/2010
WO	WO-2010/145468	A1	12/2010
WO	WO-2011/121326	A2	10/2011
WO	WO-2011/124033	A1	10/2011
WO	WO-2011/146372	A2	11/2011
WO	WO-2012/088675	A1	7/2012
WO	WO-2012/109371	A2	8/2012
WO	WO-2012/129787	A1	10/2012
WO	WO-2012/129812	A1	10/2012
WO	WO-2012/142293	A2	10/2012

OTHER PUBLICATIONS

International Search Report and Written Opinion for PCT/US13/24219 dated Mar. 14, 2013. (13 pages).

International Search Report and Written Opinion for PCT/US13/24229 dated Mar. 19, 2013. (16 pages).

International Search Report and Written Opinion for PCT/US13/24215 dated Mar. 19, 2013. (11 pages).

International Search Report and Written Opinion for PCT/US13/24228 dated Mar. 21, 2013. (8 pages).

Office Action for corresponding Canadian Application No. 156127 dated Oct. 4, 2014.

“Cigarro eletrônico 6pcs Cartuchos a pronta entrega para todo o brasil!”, Forquilha, CE, Brasil, Oct. 22, 2011, pp. 1-3.

European Document No. 001025779-0001, Timmermans, Ludovicus Josephine F., Office for Harmonization in the Internal Market (OHIM), Aug. 27, 2015, pp. 1-3.

European Document No. 000054630-0001, Verhoeven-Kostner, Bernardina Maria, Office for Harmonization in the Internal Market (OHIM), Aug. 31, 2015, pp. 1-3.

International Search Report and Written Opinion for PCT/US13/24211 dated Mar. 19, 2013.

International Search Report and Written Opinion for PCT/US13/24219 dated Mar. 14, 2013.

International Search Report and Written Opinion for PCT/US13/24229 dated Mar. 19, 2013.

International Search Report and Written Opinion for PCT/US13/24215 dated Mar. 19, 2013.

International Search Report and Written Opinion for PCT/US13/24228 dated Mar. 21, 2013.

Office Action for corresponding Canadian Application No. 157560 dated Dec. 18, 2014.

<http://www.tecmundo.com.br/saude/11335-o-que-e-cigarro-eletronico-e-por-que-ele-e-proibido-.htm>.

<<http://cigatronico.blogspot.com.br>> (visited on Jan. 8, 2016).

<<http://sergiolc.blogs.sapo.pt/175029.html>> (visited on Oct. 19, 2015).

Certificate of Registration for Community Design No. 001025779-0001 which was published in Community Design Bulletin No. 2008/243 on Nov. 19, 2008.

Certificate of Registration for Community Design No. 000054630-0001 which was published in Community Design Bulletin No. 2003/017 on Sep. 30, 2003.

Certificate of Registration for Community Design No. 000054630-0002 which was published in Community Design Bulletin No. 2003/017 on Sep. 30, 2003.

Brazilian Office Action dated May 9, 2016 issued in corresponding Brazilian Application No. 302014001648-2.

Brazilian Office Action and partial English translation thereof dated Sep. 5, 2016.

Russian Office Action dated Apr. 11, 2017 issued in corresponding Russian Application No. 2016503504/49.

U.S. Office Action dated Sep. 25, 2017 for corresponding U.S. Appl. No. 29/554,552.

Office Action for corresponding U.S. Appl. No. 29/557,503 dated Dec. 14, 2017.

Office Action for corresponding U.S. Appl. No. 29/554,836 dated Dec. 15, 2017.

U.S. Notice of Allowance for corresponding U.S. Appl. No. 29/554,326 dated Jan. 18, 2018.

U.S. Notice of Allowance for corresponding U.S. Appl. No. 29/553,863 dated Feb. 26, 2018.

(56)

References Cited

OTHER PUBLICATIONS

Brazilian Intermediary Opinion for corresponding Brazilian Application No. BR302013003369-4 dated Feb. 21, 2018.

Brazilian Office Action and English translation thereof dated Feb. 21, 2018.

Brazilian Office Action dated Feb. 21, 2018 issued in corresponding Brazilian Application No. 2013003369-4.

* cited by examiner

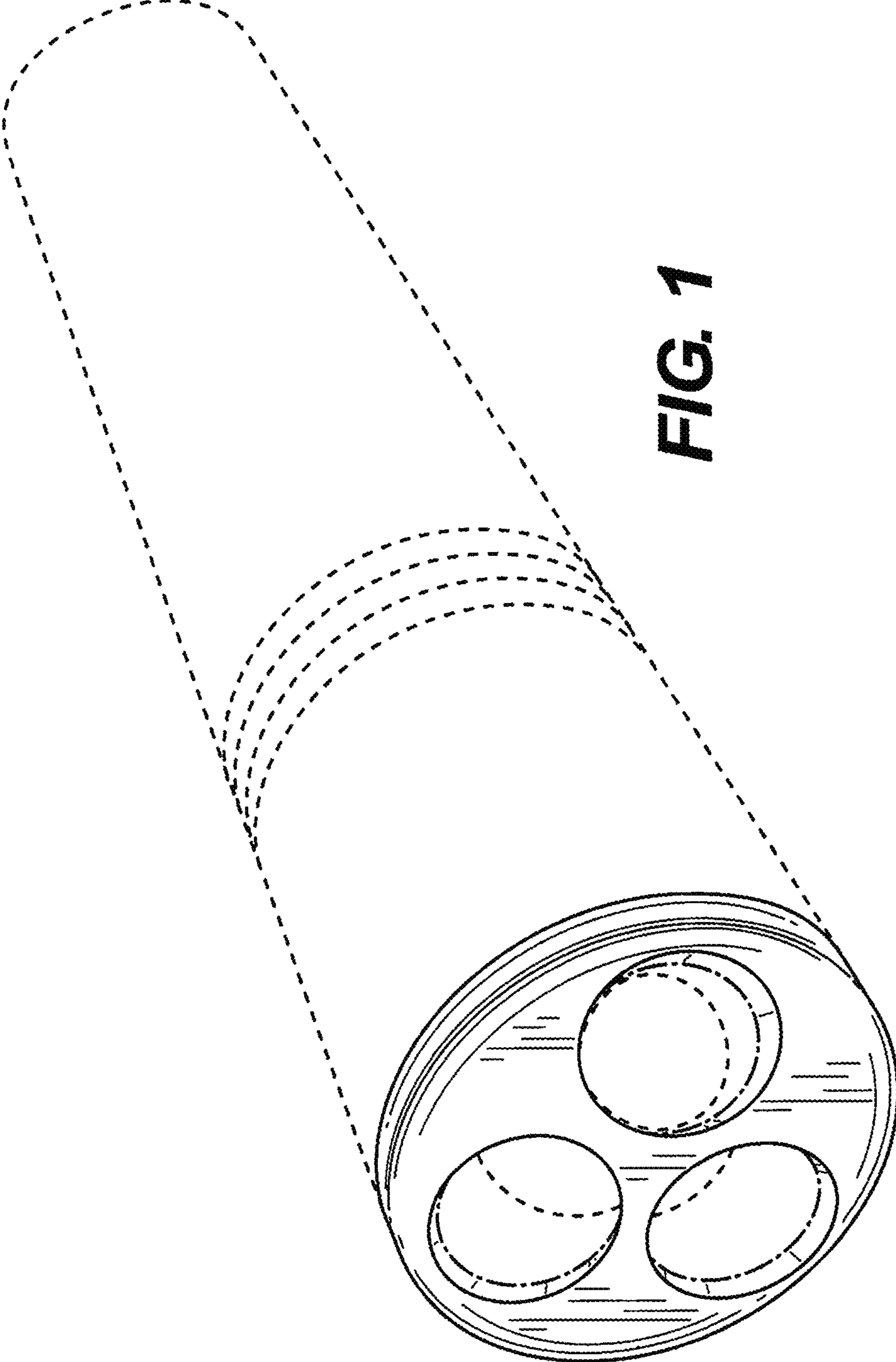


FIG. 1

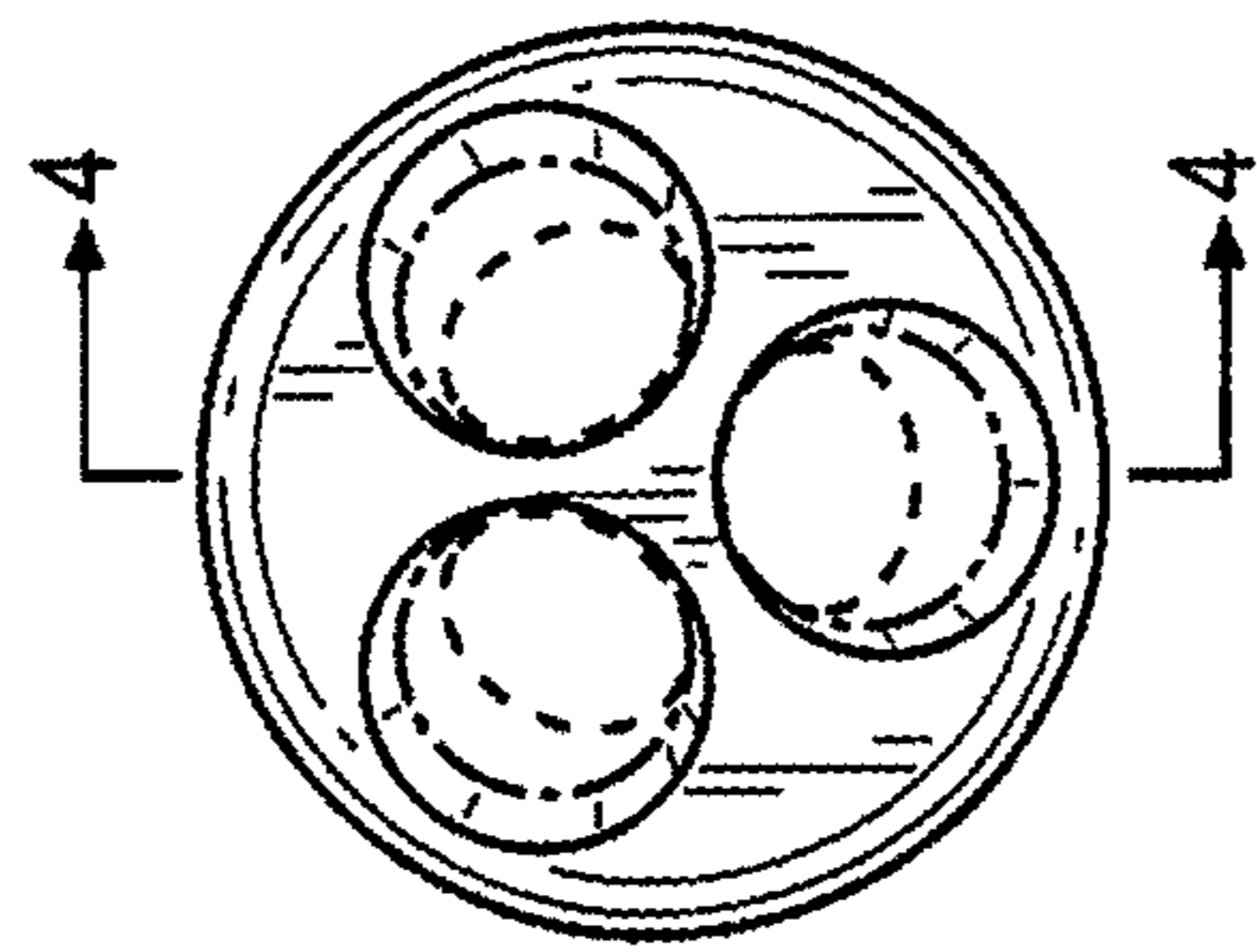


FIG. 2

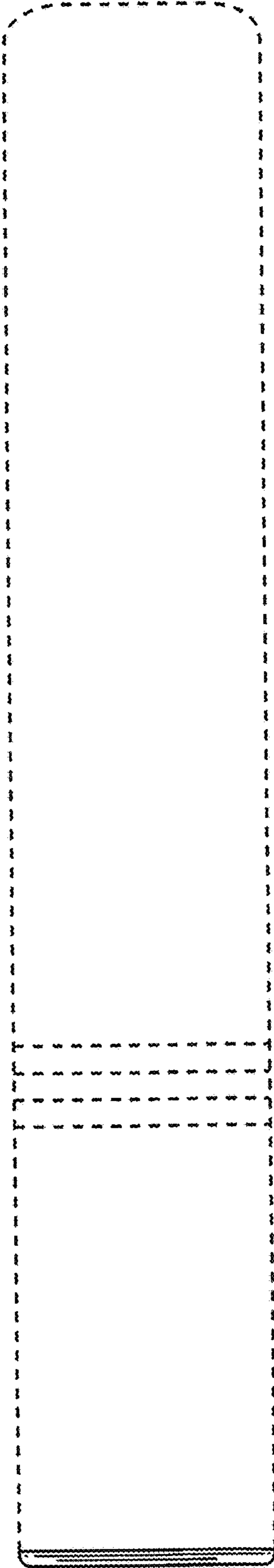


FIG. 3

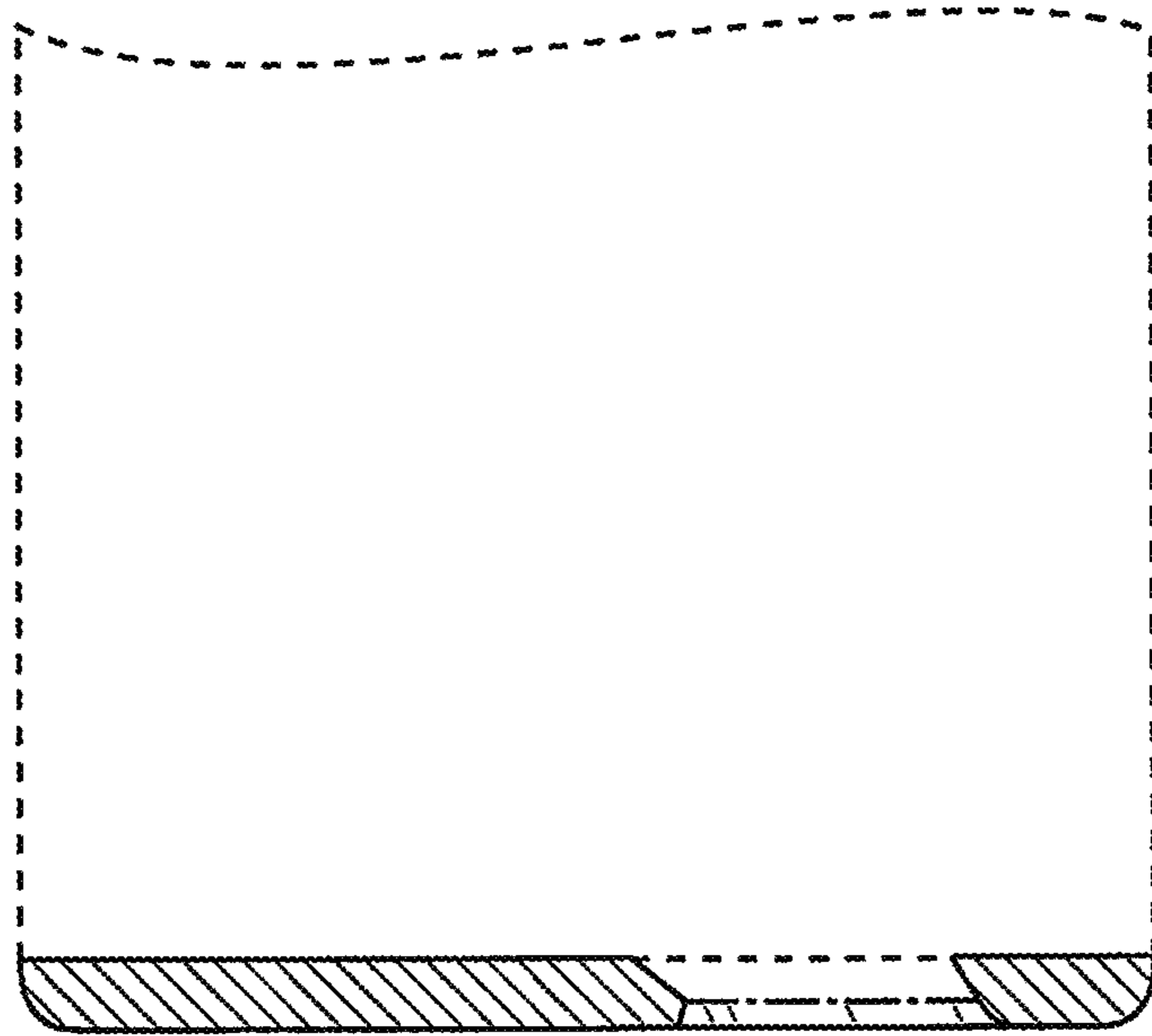


FIG. 4

UNITED STATES PATENT AND TRADEMARK OFFICE
CERTIFICATE OF CORRECTION

PATENT NO. : D841,231 S
APPLICATION NO. : 29/554552
DATED : February 19, 2019
INVENTOR(S) : Eric Hawes et al.

Page 1 of 1

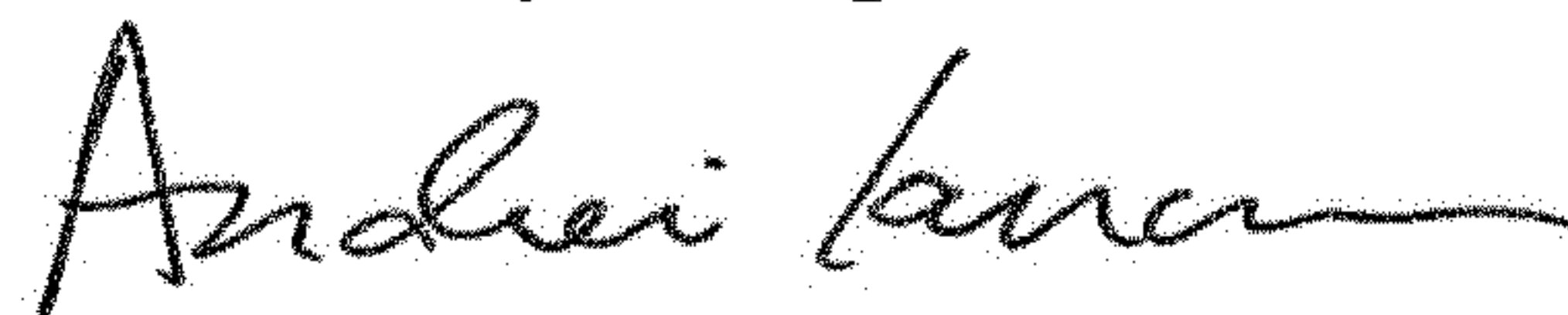
It is certified that error appears in the above-identified patent and that said Letters Patent is hereby corrected as shown below:

On the Title Page

Item (60), Related U.S. Application Data, should read:

(60) Continuation-in-part of application No. 29/511,909, filed on Dec. 15, 2014, now abandoned,
which is a division of application No. 29/469,741, filed on Oct. 14, 2013, now Pat. No. Des. 722,196
which is a division of application No. 29/443,134 filed on Jan. 14, 2013 now Pat. No. Des. 691,765

Signed and Sealed this
Third Day of September, 2019



Andrei Iancu
Director of the United States Patent and Trademark Office