



US00D841226S

(12) **United States Design Patent**
Li

(10) **Patent No.:** **US D841,226 S**

(45) **Date of Patent:** **** Feb. 19, 2019**

(54) **ELECTRONIC SCENTED CANDLE**

(71) Applicant: **Xiaofeng Li**, Shenzhen (CN)

(72) Inventor: **Xiaofeng Li**, Shenzhen (CN)

(**) Term: **15 Years**

(21) Appl. No.: **29/616,337**

(22) Filed: **Sep. 5, 2017**

(30) **Foreign Application Priority Data**

May 26, 2017 (CN) 2017 3 0206291

(51) **LOC (11) Cl.** **26-03**

(52) **U.S. Cl.**
USPC **D26/96**

(58) **Field of Classification Search**
USPC ... D26/4, 5, 6, 7, 93, 94, 96, 22, 37, 38, 51,
D26/110, 121, 105
CPC F21S 6/00; F21S 6/001; F21S 10/04; F21S
10/10; F21S 10/043; F21S 8/08; F21S
48/115; F21V 21/00; F21V 35/00; F21V
33/0028; F21W 2121/00; C11C 5/002;
C11C 5/004

See application file for complete search history.

(56) **References Cited**

U.S. PATENT DOCUMENTS

D542,433 S * 5/2007 Valentino D26/22
7,261,455 B2 * 8/2007 Schnuckle F21S 6/001
362/569
D670,853 S * 11/2012 Yang D26/104

D682,448 S * 5/2013 Nugent D26/22
8,783,888 B2 * 7/2014 McCavit F21V 33/0028
362/162
D743,613 S * 11/2015 Bonadonna D26/105
D791,392 S * 7/2017 Li D26/96
D792,012 S * 7/2017 Arneson D26/94
D792,634 S * 7/2017 Li D26/96

* cited by examiner

Primary Examiner — Brian N. Vinson

(74) *Attorney, Agent, or Firm* — Perkins Coie LLP

(57) **CLAIM**

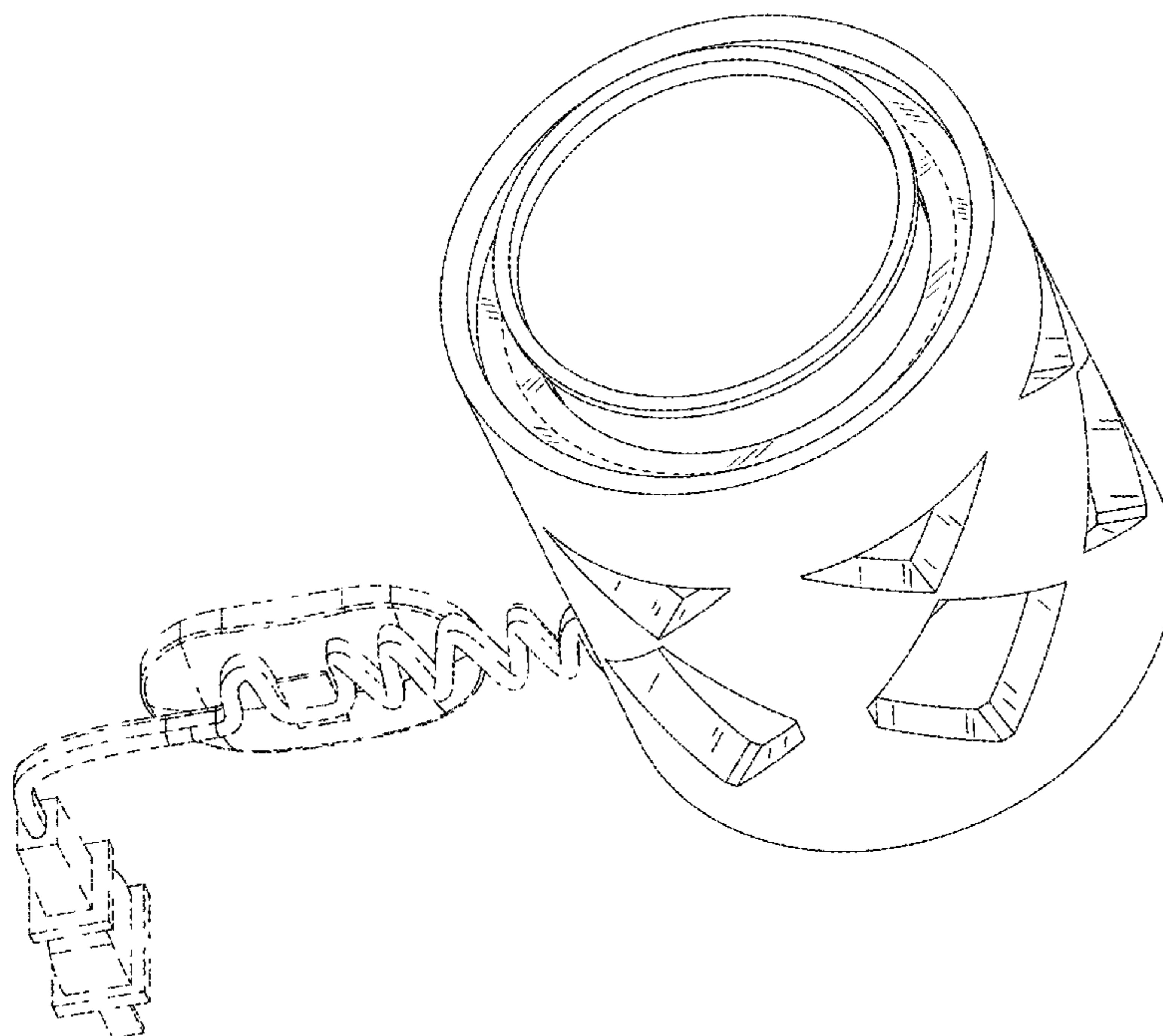
The ornamental design for an electronic scented candle, as shown and described.

DESCRIPTION

FIG. 1 is an isometric view of an electronic scented candle. FIG. 2 is a right view of the electronic scented candle of FIG. 1; FIG. 3 is a left view of the electronic scented candle of FIG. 1; FIG. 4 is a front view of the electronic scented candle of FIG. 1; FIG. 5 is a back view of the electronic scented candle of FIG. 1; FIG. 6 is a top view of the electronic scented candle of FIG. 1; and, FIG. 7 is a bottom view of the electronic scented candle of FIG. 1.

The broken-line disclosure represents portions of the electronic scented candle which form no part of the claimed design.

1 Claim, 7 Drawing Sheets



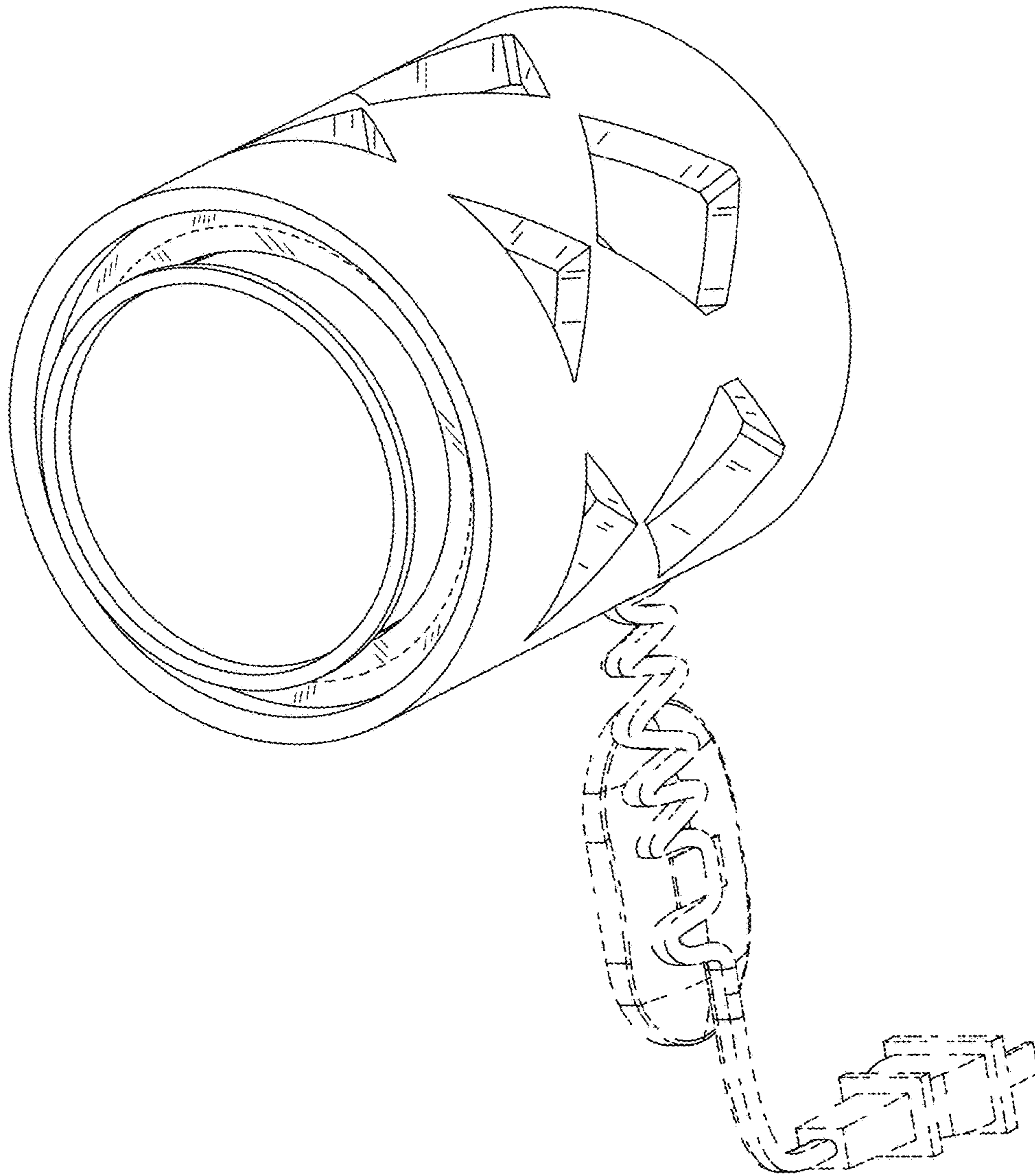


Fig. 1

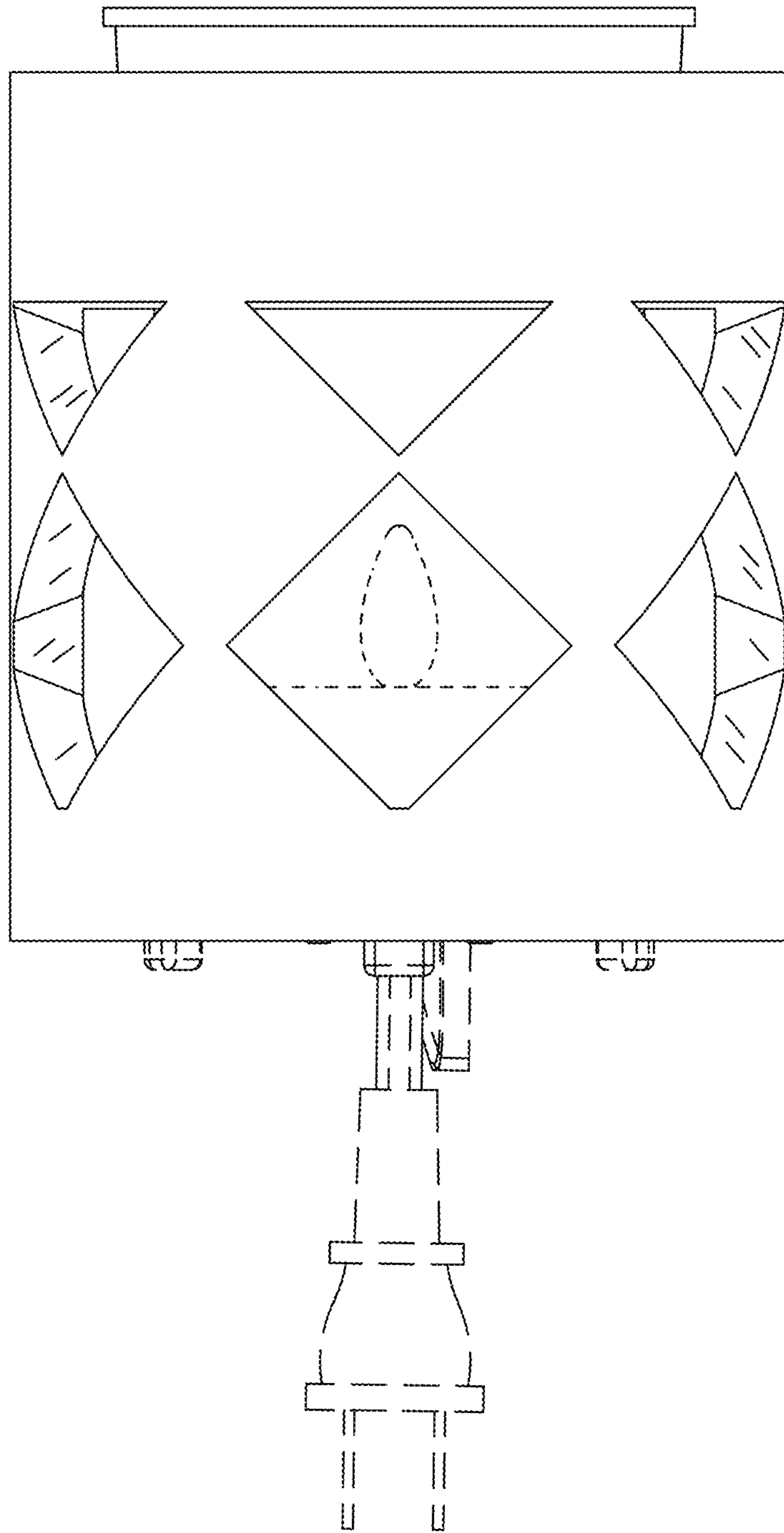


Fig. 2

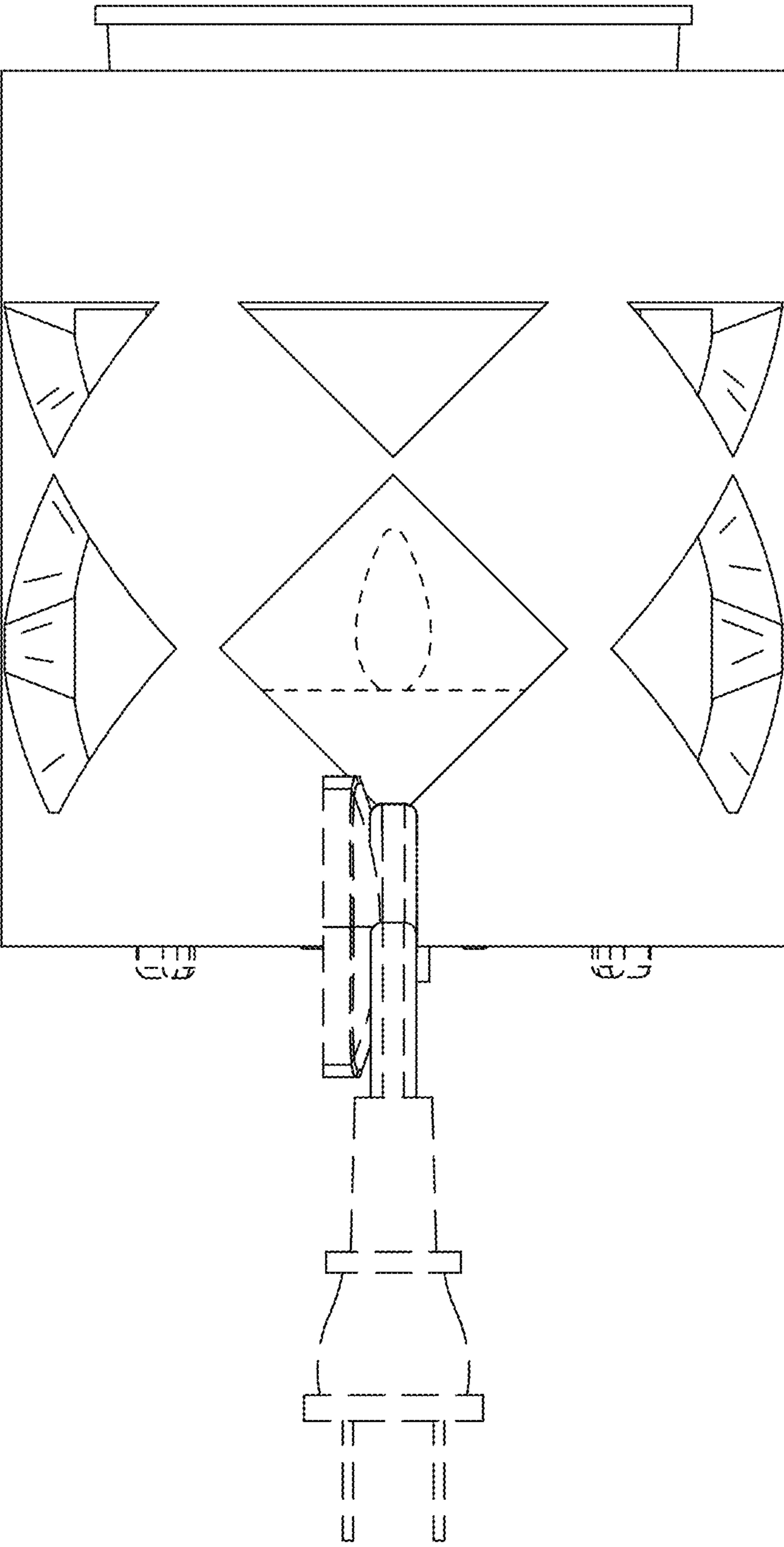


Fig. 3

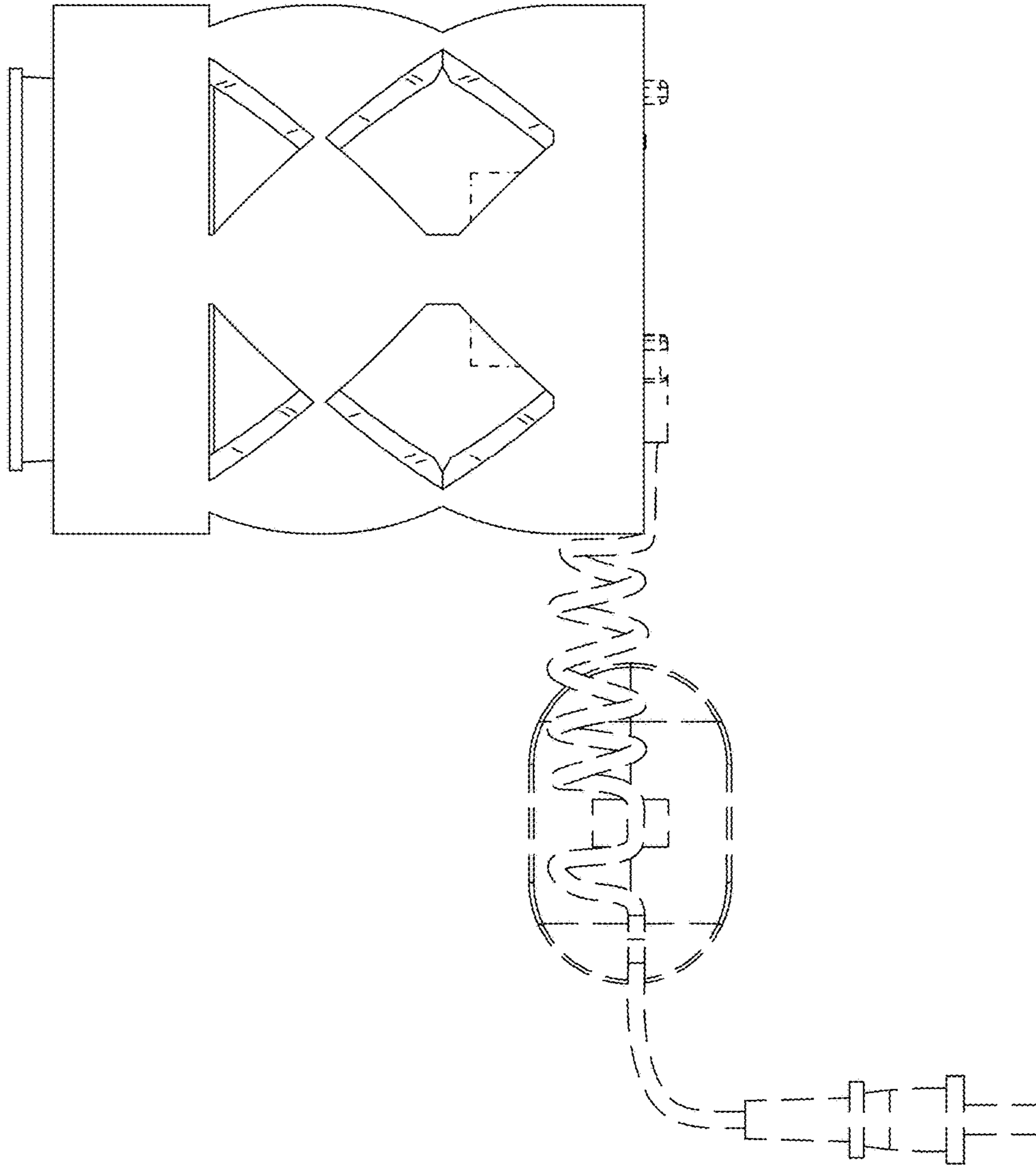


Fig. 4

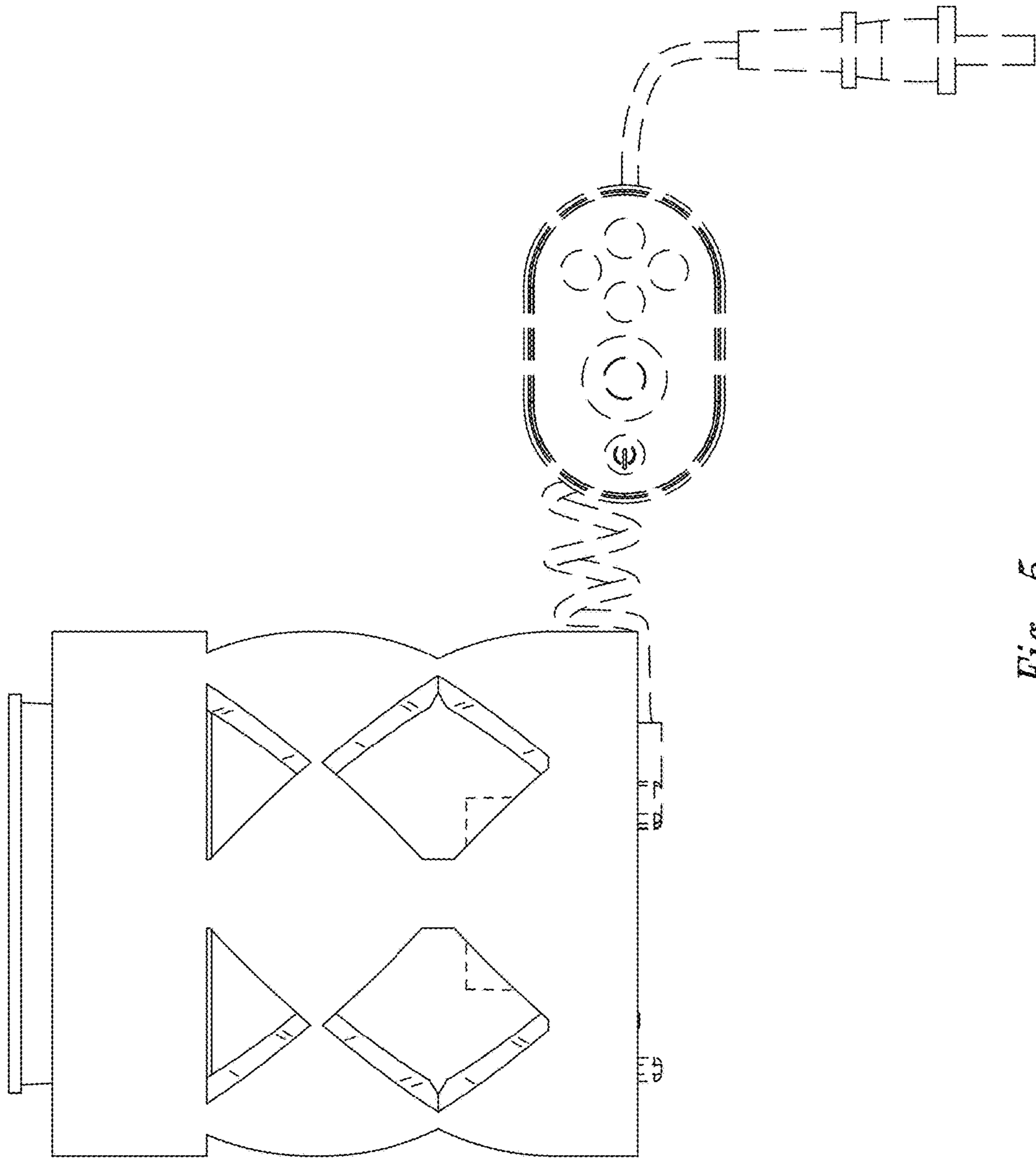


Fig. 5

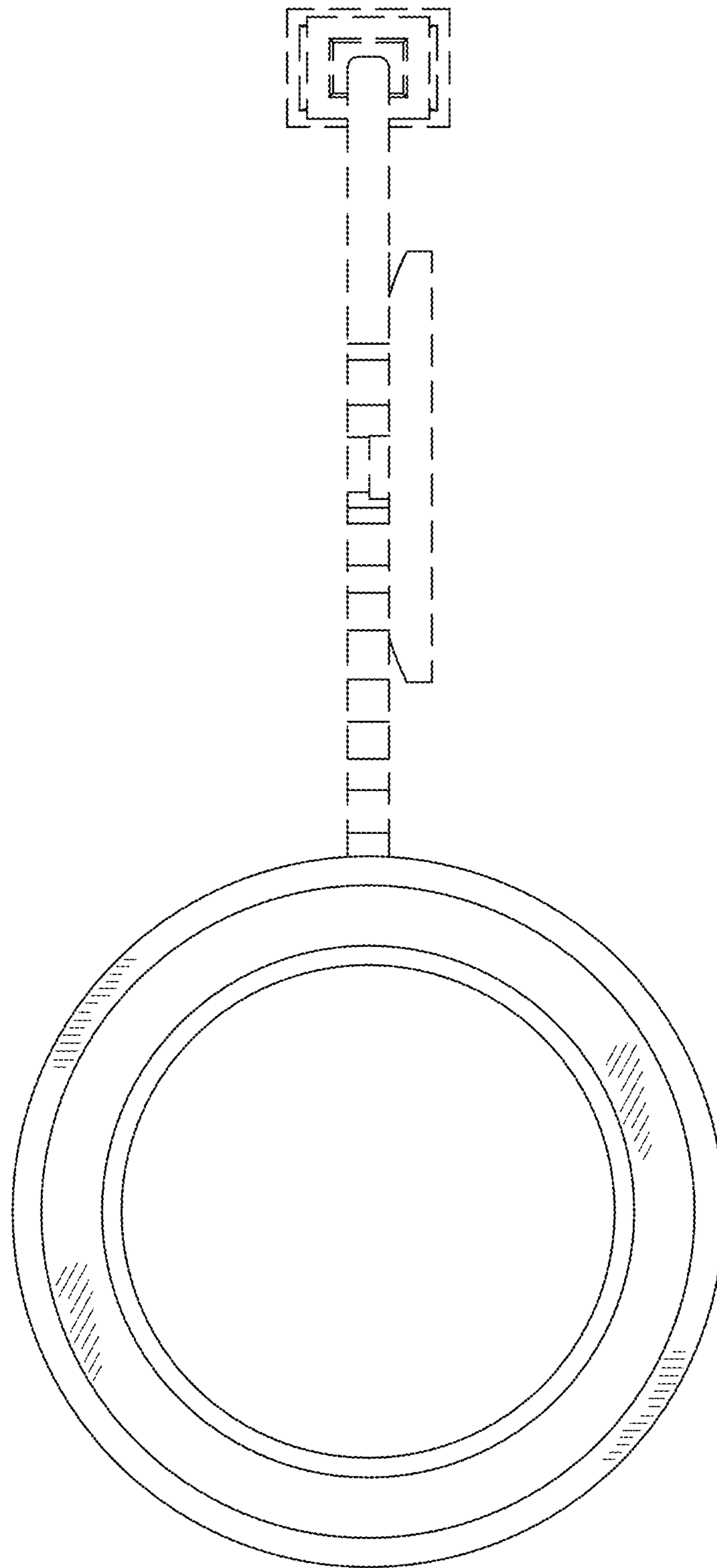


Fig. 6

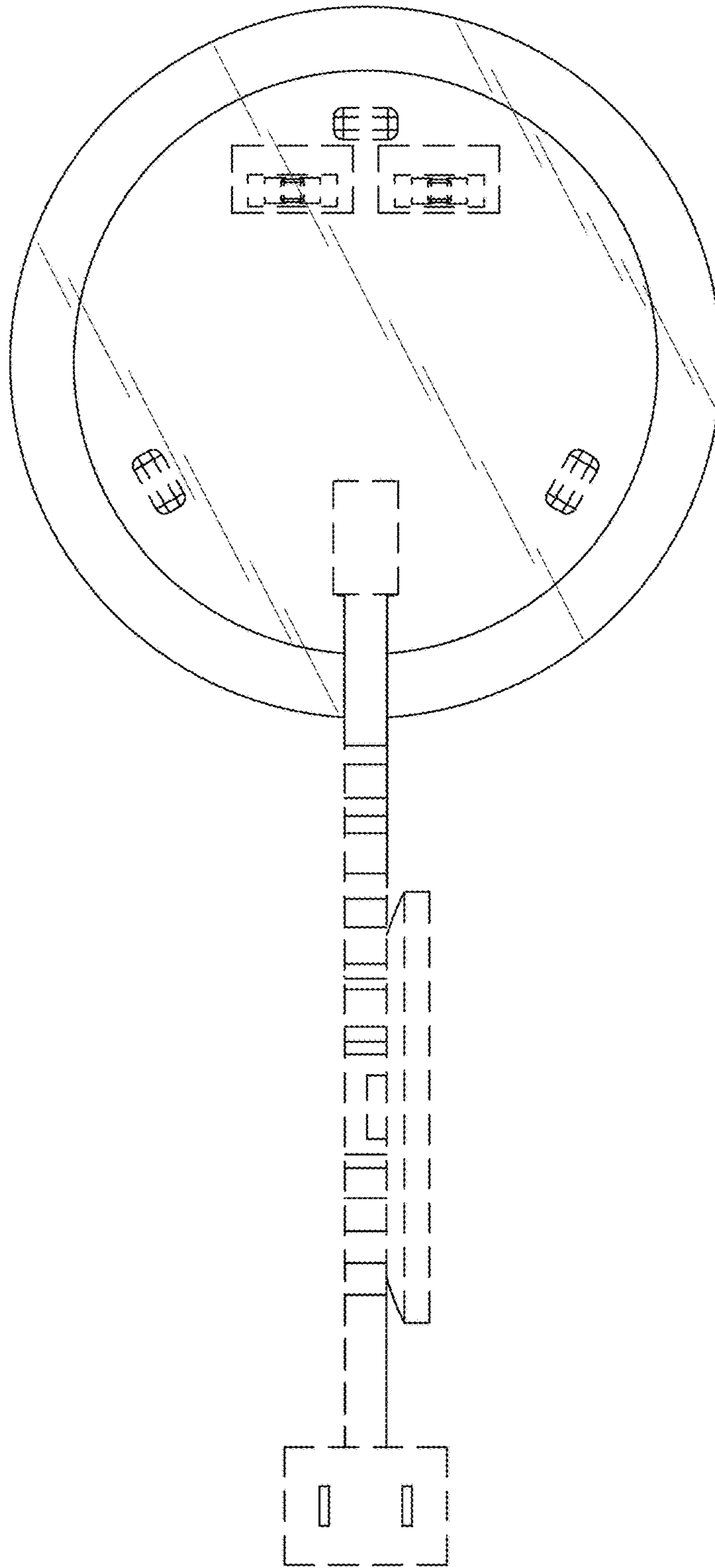


Fig. 7