



US00D841225S

(12) **United States Design Patent** (10) **Patent No.:** **US D841,225 S**
Liu et al. (45) **Date of Patent:** **** Feb. 19, 2019**

(54) **LED CANDLE LIGHT**
(71) Applicant: **Organo Bulb, Inc.**, Dallas, TX (US)
(72) Inventors: **Yuan Liu**, Vancouver (CA); **Qing Charles Li**, Las Vegas, NV (US)
(73) Assignee: **Organo Bulb, Inc.**, Dallas, TX (US)
(**) Term: **15 Years**
(21) Appl. No.: **29/615,300**
(22) Filed: **Aug. 28, 2017**

D757,306 S * 5/2016 Li D26/96
D759,881 S * 6/2016 Mausser D26/96
D788,971 S * 6/2017 Patton D26/96
D798,489 S * 9/2017 Patton D26/96
9,765,955 B2 9/2017 Liu et al.
2008/0062703 A1 3/2008 Cao
(Continued)

FOREIGN PATENT DOCUMENTS

WO 2006020839 A2 2/2006
WO 2010044985 A2 4/2010
WO 2010079439 A1 7/2010

OTHER PUBLICATIONS

Extended European Search Report in European Patent Application No. 12802731.5, dated Jan. 28, 2015 (8 pages).
(Continued)

Primary Examiner — Brian N. Vinson
(74) *Attorney, Agent, or Firm* — Thrive IP®; Jeremy M. Stipkala

Related U.S. Application Data

(63) Continuation of application No. 14/129,119, filed as application No. PCT/US2012/043981 on Jun. 25, 2012, now Pat. No. 9,765,955.
(51) **LOC (11) Cl.** **26-03**
(52) **U.S. Cl.**
USPC **D26/96**
(58) **Field of Classification Search**
USPC D26/4, 5, 6, 7, 9, 94, 96
CPC F21S 6/00; F21S 6/001; F21S 10/04; F21S 10/10; F21S 10/043; F21S 8/08; F21S 48/115; F21V 21/00; F21V 35/00; F21V 21/10; F21W 2121/00; C11C 5/002; C11C 5/004
See application file for complete search history.

(57) **CLAIM**

The ornamental design for a LED candle light, as shown and described.

DESCRIPTION

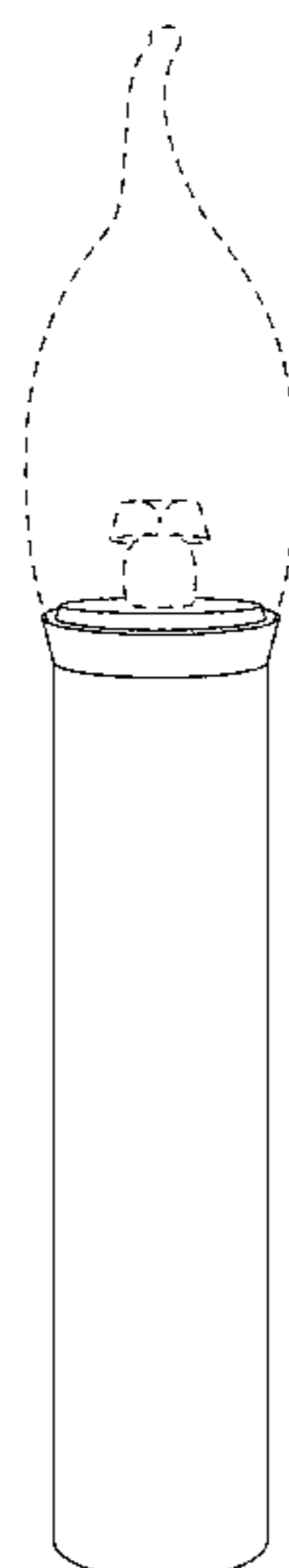
FIG. 1 is a perspective view of a LED candle light; FIG. 2 is a top plan view of the LED candle light of FIG. 1; FIG. 3 is a bottom plan view of the LED candle light of FIGS. 1 and 2; FIG. 4 is a right elevation view of the LED candle light of FIGS. 1-3; and, FIG. 5 is a left elevation view of the LED candle light of FIGS. 1-4.
The features shown in broken lines are portions of the LED candle light or are environmental subject matter that do not form part of the claimed design.

1 Claim, 4 Drawing Sheets

(56) **References Cited**

U.S. PATENT DOCUMENTS

3,158,328 A * 11/1964 Kubak F21V 21/10 362/393
3,194,955 A * 7/1965 Koch F21S 6/001 362/202
D292,323 S * 10/1987 Vandrilla D26/96
D406,379 S * 3/1999 Andrews D26/96
D612,076 S * 3/2010 Peterson D26/96
D702,864 S * 4/2014 Lee D26/96



(56)

References Cited

U.S. PATENT DOCUMENTS

2009/0213597 A1 8/2009 Nelkin
2010/0001662 A1 1/2010 Nelkin et al.
2010/0097821 A1 4/2010 Huang et al.
2011/0089861 A1 4/2011 Zeng et al.
2011/0215345 A1 9/2011 Tarsa et al.
2015/0043211 A1 2/2015 Liu et al.

OTHER PUBLICATIONS

International Application No. PCT/US2012/043981, International Preliminary Report on Patentability, dated Dec. 24, 2013 (8 pages).
International Application No. PCT/US2012/043981, International Search Report and Written Opinion, dated Dec. 26, 2012 (10 pages).
Communication from European Patent Office for EP 12 802 731.5, dated Jan. 18, 2016 (6 pages).
Communication from European Patent Office indicating Intention to Grant European Patent in European Application No. EP 12 802 731.5, dated Dec. 13, 2016 (7 pages).
Office Action from Russian Patent Office for Russian Application No. 2014 102 108, dated Mar. 28, 2016 (5 pages).
Information Disclosure Statement Transmittal dated May 24, 2016, from U.S. Appl. No. 14/129,119, explaining relevance of Office Action from Russian Patent Office for Russian Application No. 2014 102 108 (2 pages).

* cited by examiner

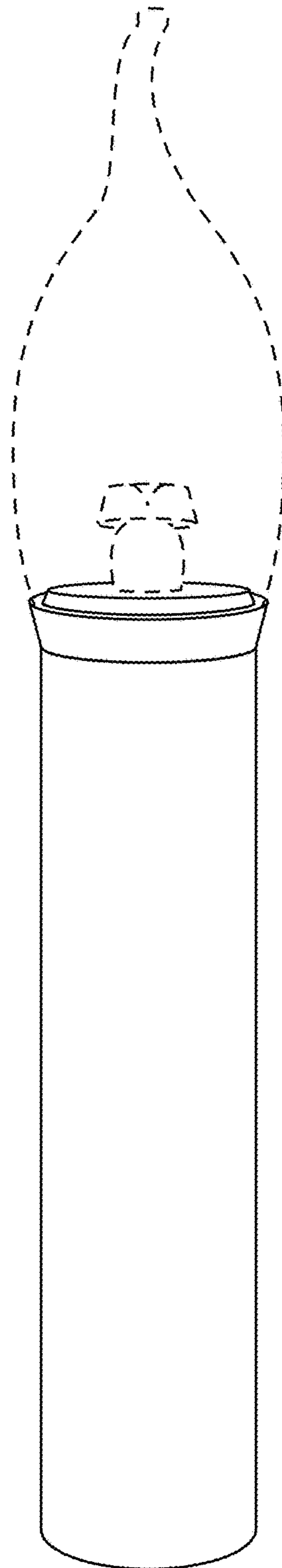


FIG. 1

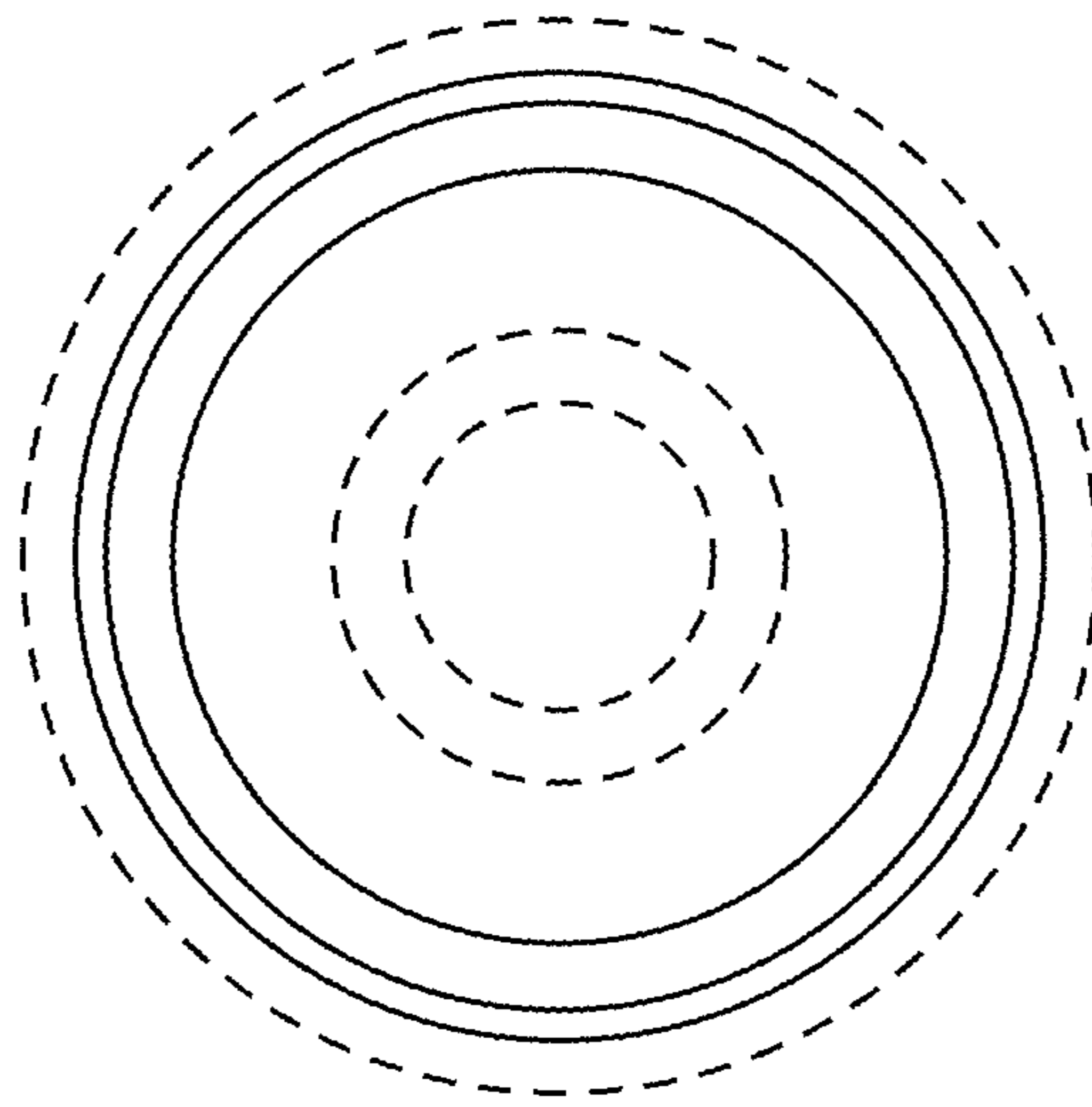


FIG. 2

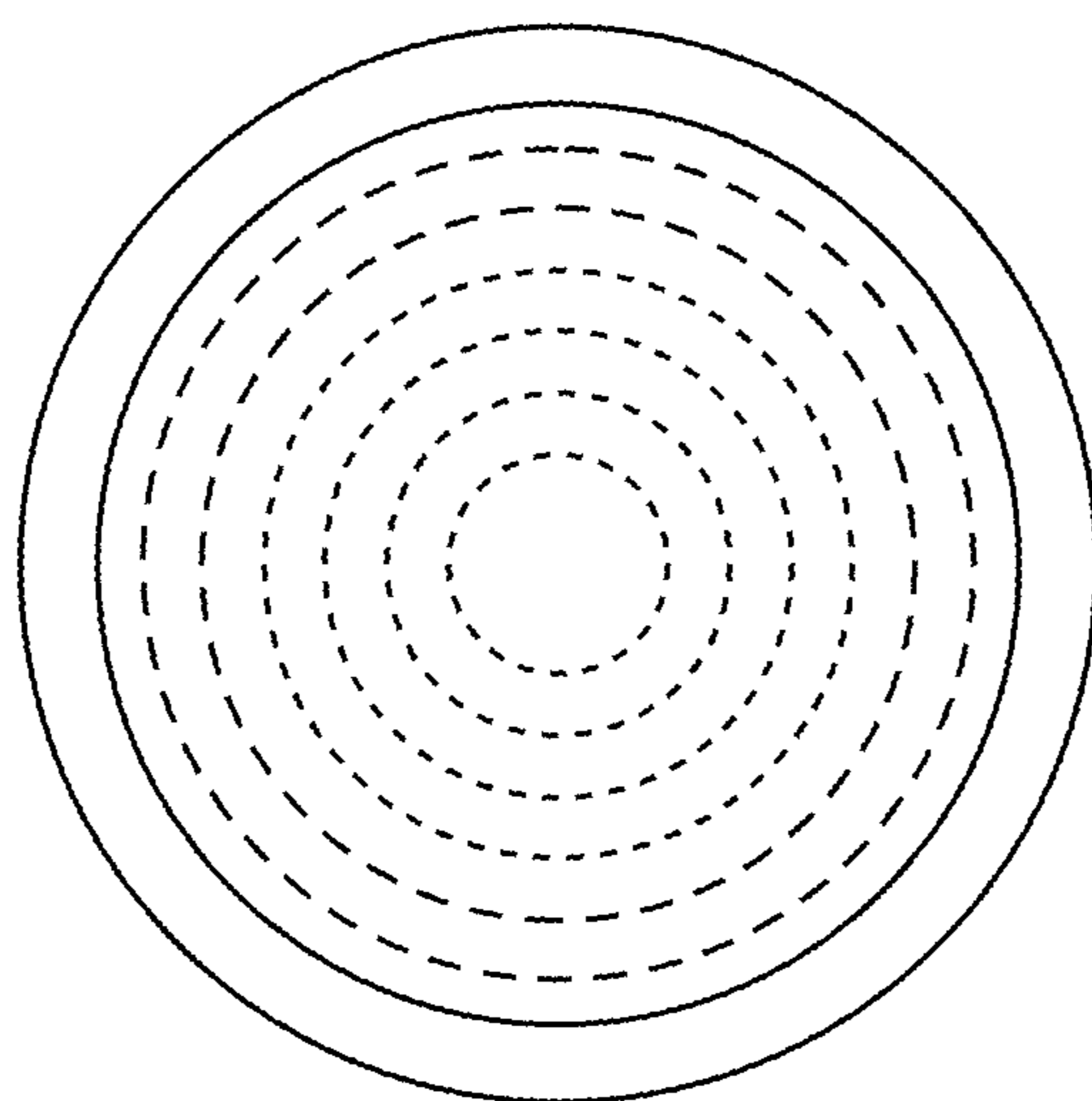


FIG. 3

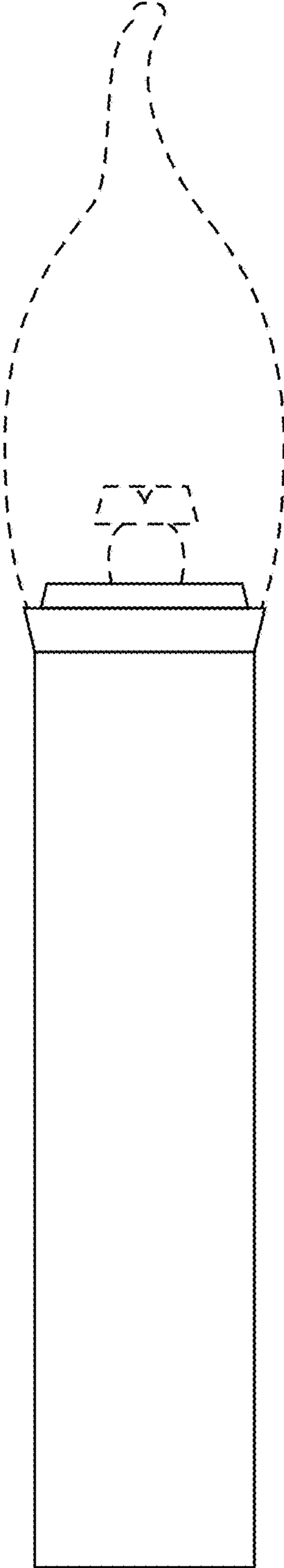


FIG. 4

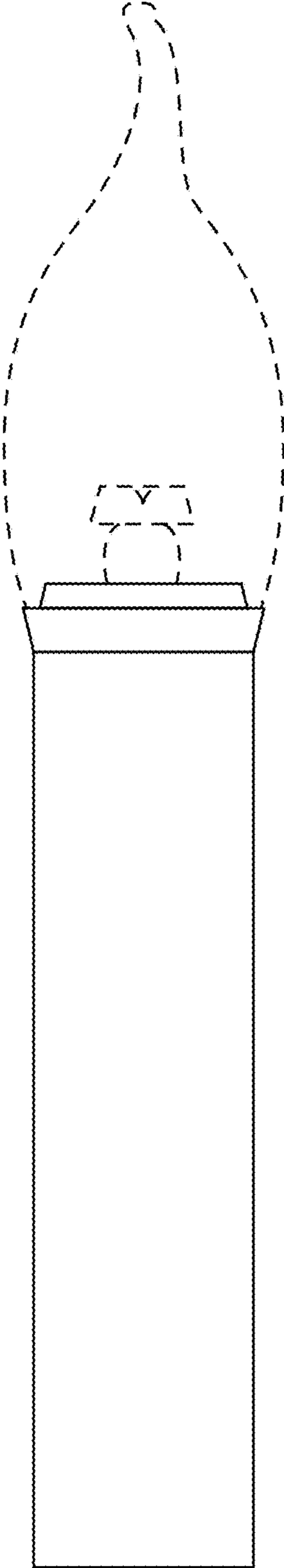


FIG. 5