



US00D841223S

(12) **United States Design Patent**
Duckworth

(10) **Patent No.:** **US D841,223 S**
(45) **Date of Patent:** **** Feb. 19, 2019**

- (54) **AREA LUMINAIRE**
- (71) Applicant: **Hubbell Incorporated**, Shelton, CT (US)
- (72) Inventor: **Jason Duckworth**, Simpsonville, SC (US)
- (73) Assignee: **Hubbell Incorporated**, Shelton, CT (US)
- (**) Term: **15 Years**
- (21) Appl. No.: **29/591,116**
- (22) Filed: **Jan. 17, 2017**

Related U.S. Application Data

- (62) Division of application No. 29/525,604, filed on Apr. 30, 2015, now Pat. No. Des. 776,859.
- (51) **LOC (11) Cl.** **26-03**
- (52) **U.S. Cl.**
USPC **D26/92; D26/71**
- (58) **Field of Classification Search**
USPC D26/63, 67-72, 87, 92, 118
CPC .. F21S 8/085; F21S 8/086; F21S 8/068; F21S 9/03; F21S 9/037; F21W 2131/103; F21W 2131/107; F21W 2131/109
See application file for complete search history.

(56) **References Cited**

U.S. PATENT DOCUMENTS

4,426,676 A	1/1984	Taylor	
5,000,535 A	3/1991	Churchill	
7,521,852 B2 *	4/2009	Choi	F21S 8/085 313/318.01
D644,370 S	8/2011	Lickiss	
D646,420 S	10/2011	Chen	

(Continued)

FOREIGN PATENT DOCUMENTS

EP 2600055 6/2013

Primary Examiner — Clare E Heflin
(74) *Attorney, Agent, or Firm* — Michael Best & Friedrich, LLP

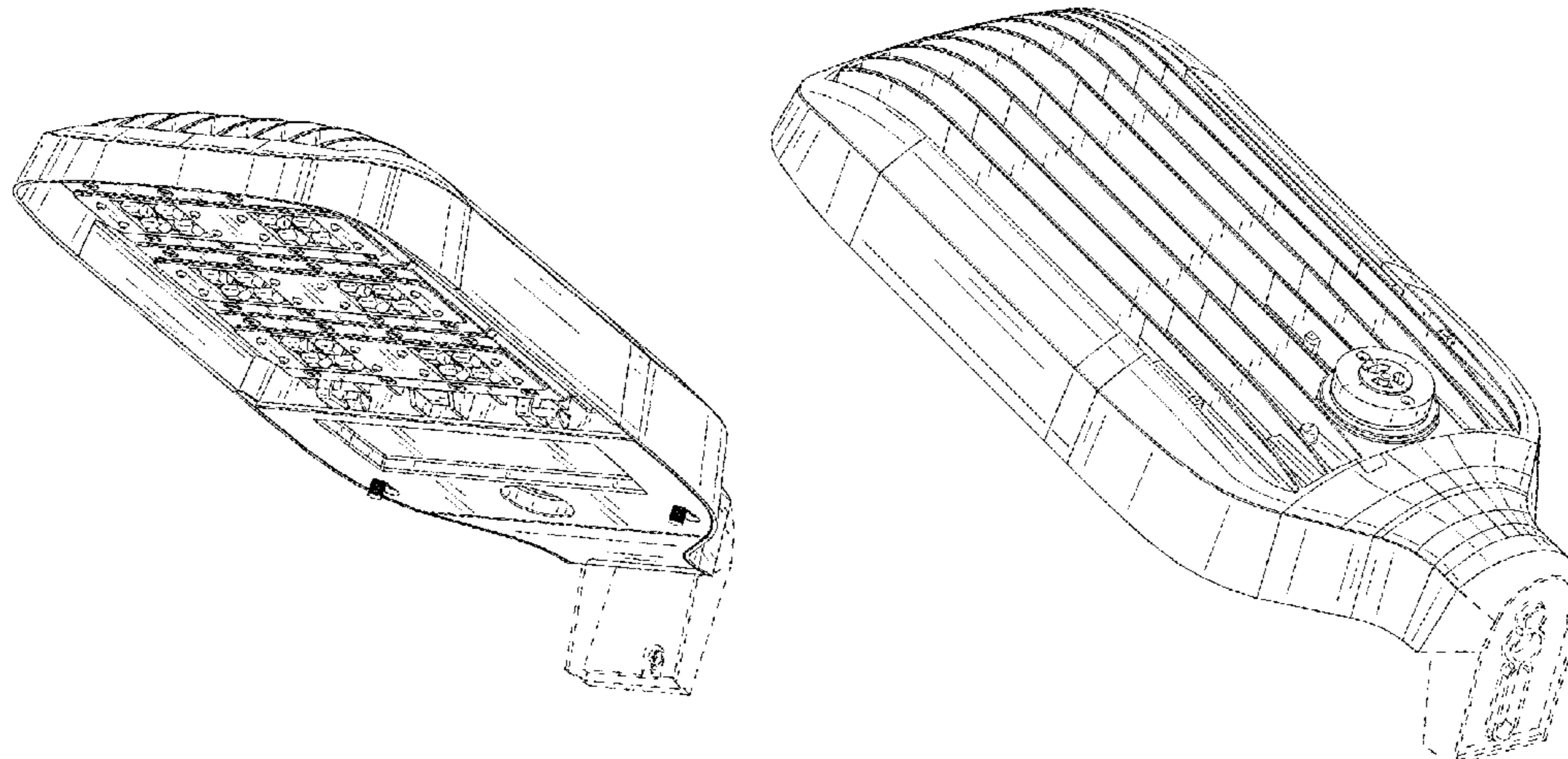
(57) **CLAIM**

The ornamental design for an area luminaire, as shown and described.

DESCRIPTION

FIG. 1 is a top, front perspective view of an embodiment of the design;
 FIG. 2 is a bottom, front perspective view of FIG. 1;
 FIG. 3 is a top, rear perspective view of FIG. 1;
 FIG. 4 is a rear view of FIG. 1;
 FIG. 5 is a front view of FIG. 1;
 FIG. 6 is a top view of FIG. 1;
 FIG. 7 is a bottom view of FIG. 1;
 FIG. 8 is a right side view of FIG. 1;
 FIG. 9 is a top, front perspective view of an embodiment of the design;
 FIG. 10 is a bottom, front perspective view of FIG. 9;
 FIG. 11 is a top, rear perspective view of FIG. 9;
 FIG. 12 is a rear view of FIG. 9;
 FIG. 13 is a front view of FIG. 9;
 FIG. 14 is a top view of FIG. 9;
 FIG. 15 is a bottom view of FIG. 9;
 FIG. 16 is a right side view of FIG. 9;
 FIG. 17 is a top, front perspective view of an embodiment of the design;
 FIG. 18 is a bottom, front perspective view of FIG. 17;
 FIG. 19 is a top, rear perspective view of FIG. 17;
 FIG. 20 is a rear view of FIG. 17;
 FIG. 21 is a front view of FIG. 17;
 FIG. 22 is a top view of FIG. 17;
 FIG. 23 is a bottom view of FIG. 17; and,
 FIG. 24 is a right side view of FIG. 17.
 The broken lines are for illustrative purposes only and form no part of the claimed design.

1 Claim, 6 Drawing Sheets



(56)

References Cited

U.S. PATENT DOCUMENTS

D660,494	S	5/2012	Wang	
D672,492	S	12/2012	Butler	
8,517,575	B2 *	8/2013	Arai	F21S 8/086 362/184
D695,438	S	12/2013	Liu	
D715,984	S	10/2014	Durdle	
D717,988	S	11/2014	Zhu	
D747,527	S	1/2016	Guercio	
D770,659	S *	11/2016	Zhu	D26/71
D773,096	S *	11/2016	Zhu	D26/71
2009/0237930	A1	9/2009	Li	
2009/0251898	A1	10/2009	Kinnune et al.	
2011/0235343	A1	9/2011	Arai	
2013/0003378	A1 *	1/2013	Dube	F21S 8/086 362/249.03
2013/0215606	A1	8/2013	Wang et al.	
2014/0169003	A1	6/2014	Wang	
2015/0160396	A1 *	6/2015	Wilcox	F21S 8/086 362/555
2015/0219329	A1	8/2015	Kim	
2015/0345767	A1 *	12/2015	Lee	F21S 8/085 362/249.02
2015/0362172	A1 *	12/2015	Gabriel	F21S 8/086 348/151
2017/0167676	A1 *	6/2017	Wang	F21S 8/086

* cited by examiner

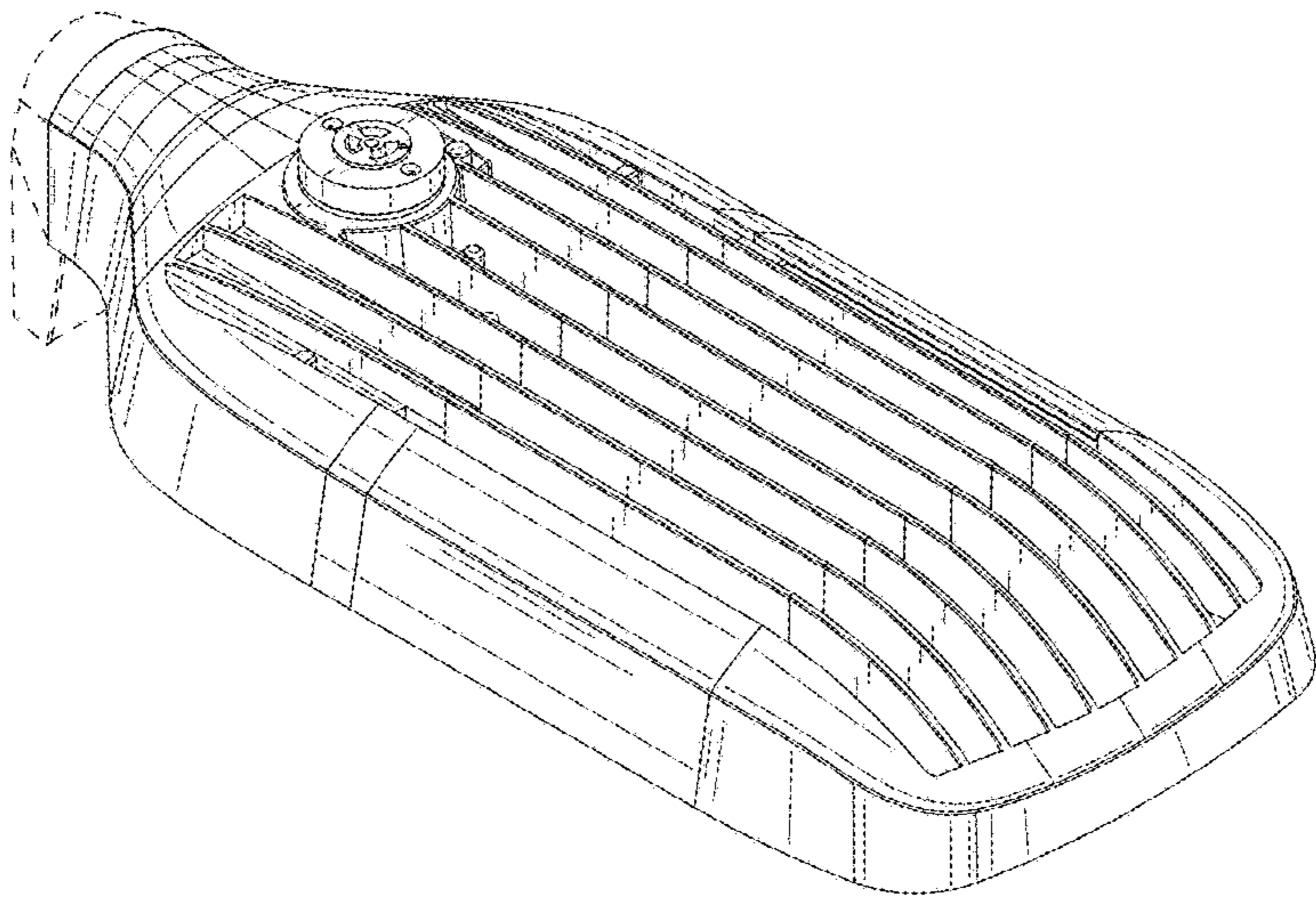


FIG. 1

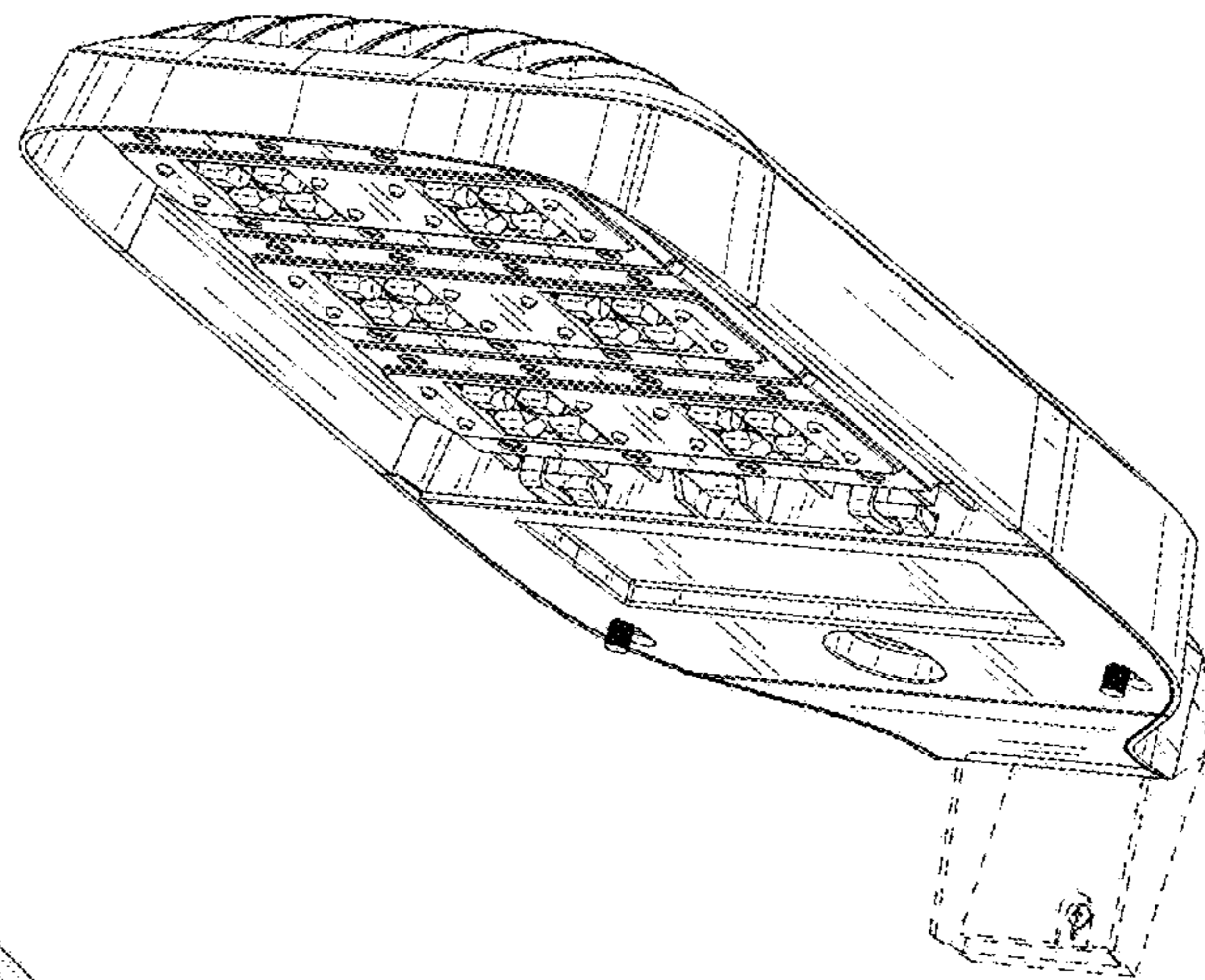


FIG. 2

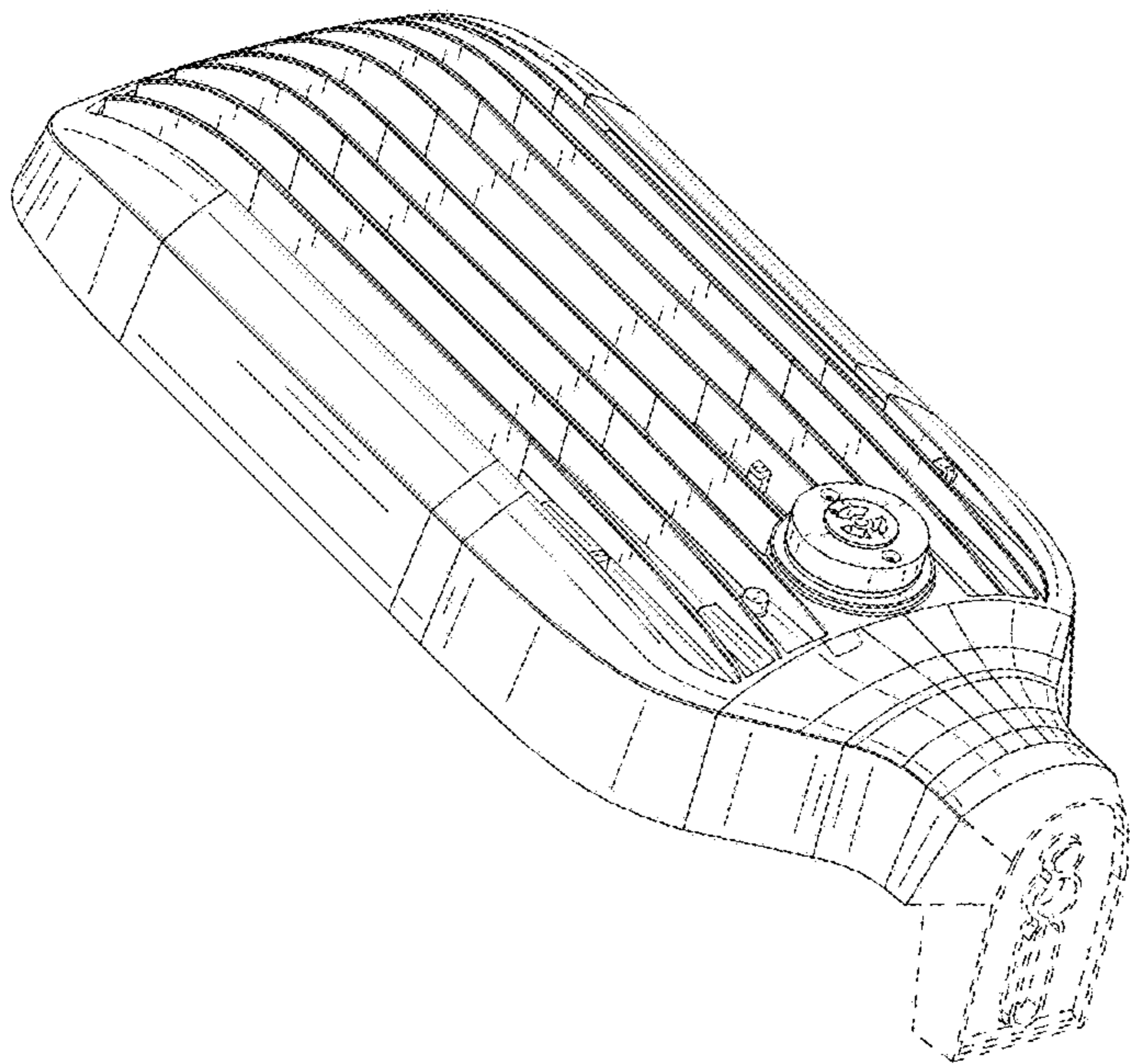


FIG. 3

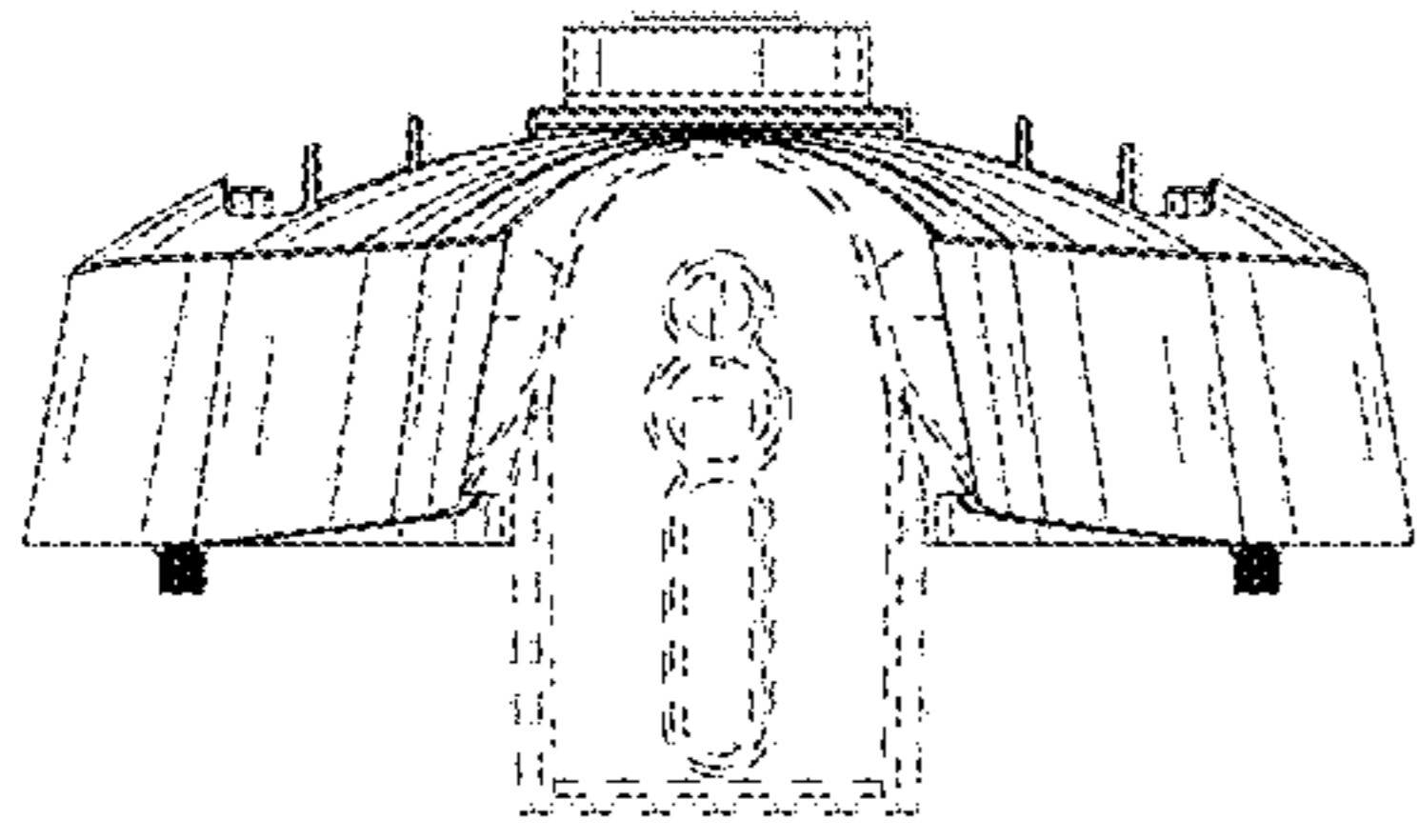


FIG. 4

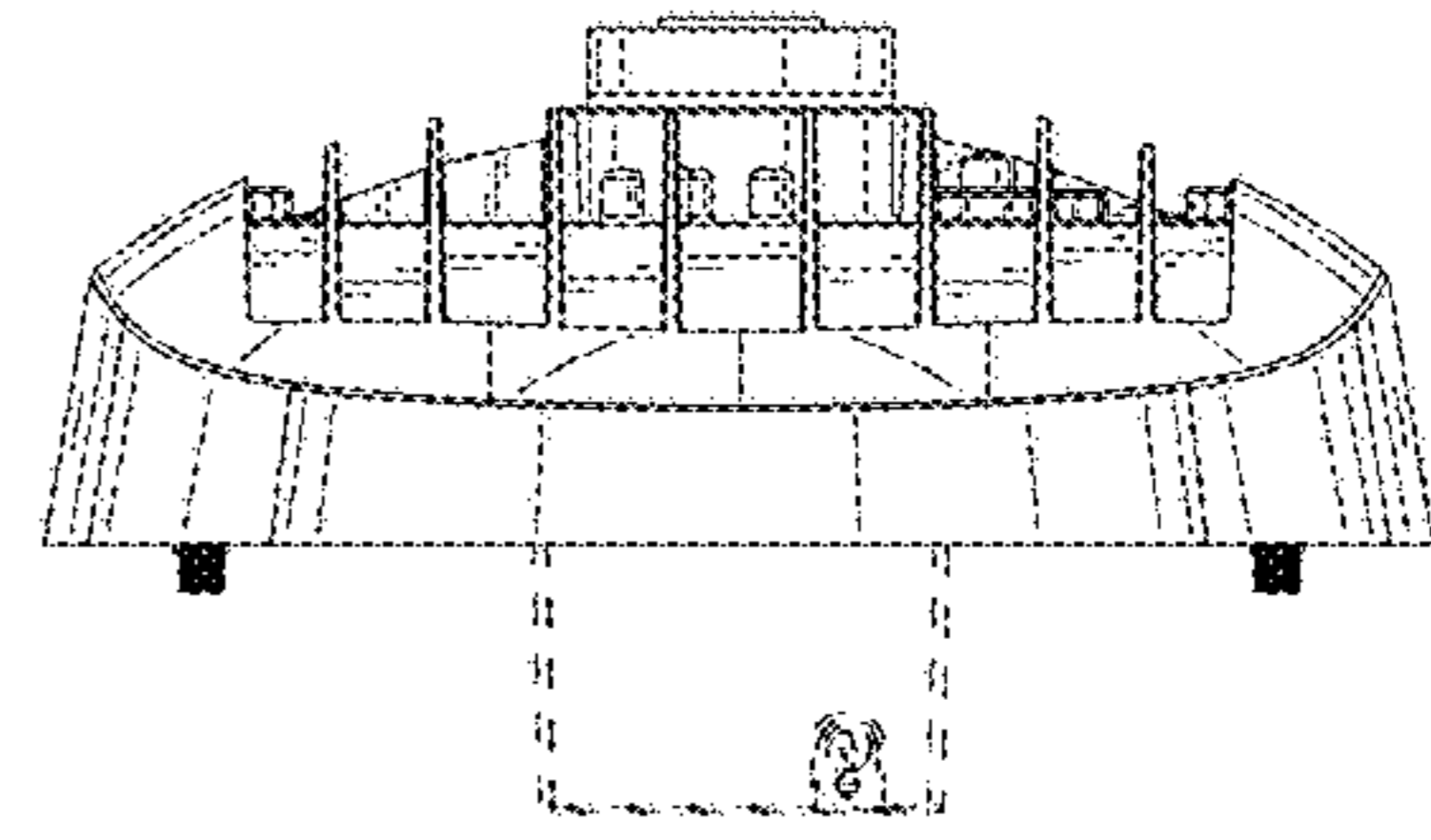


FIG. 5

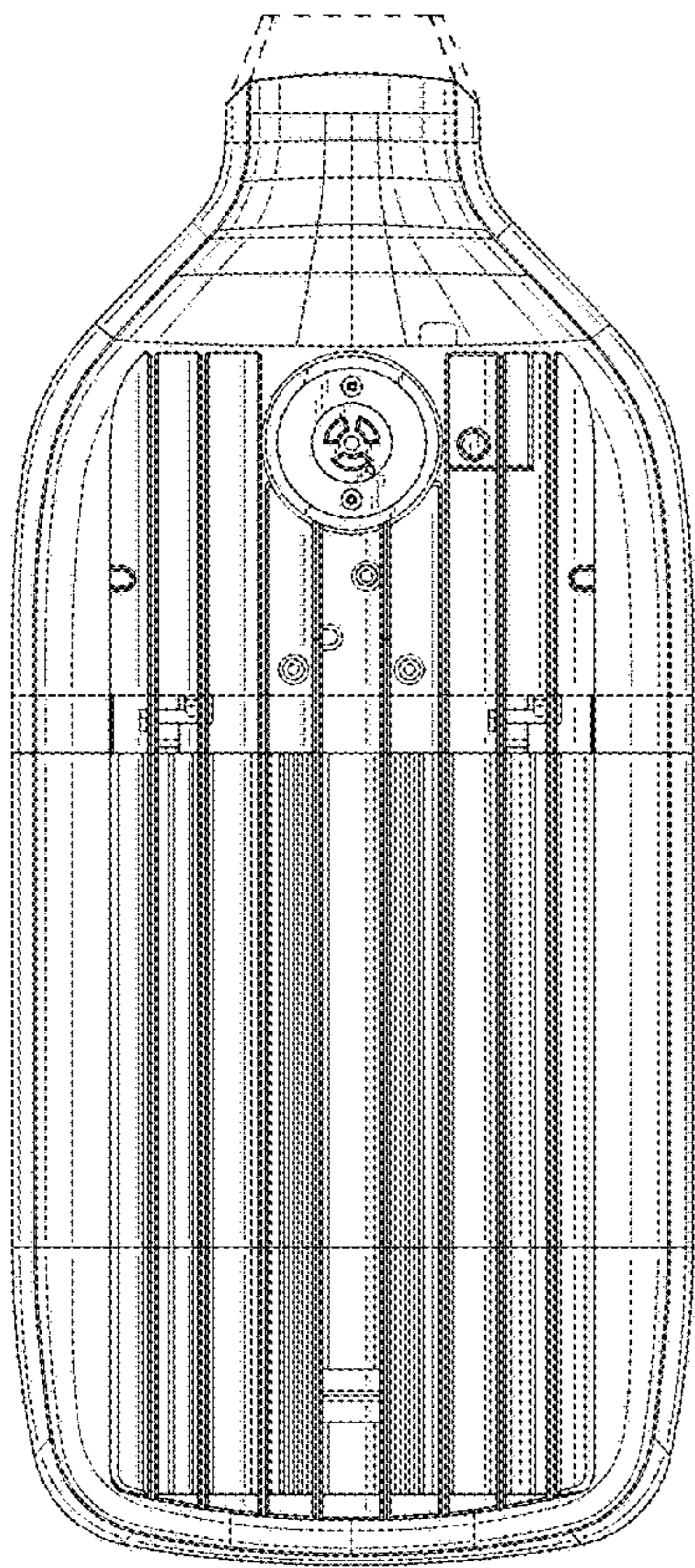


FIG. 6

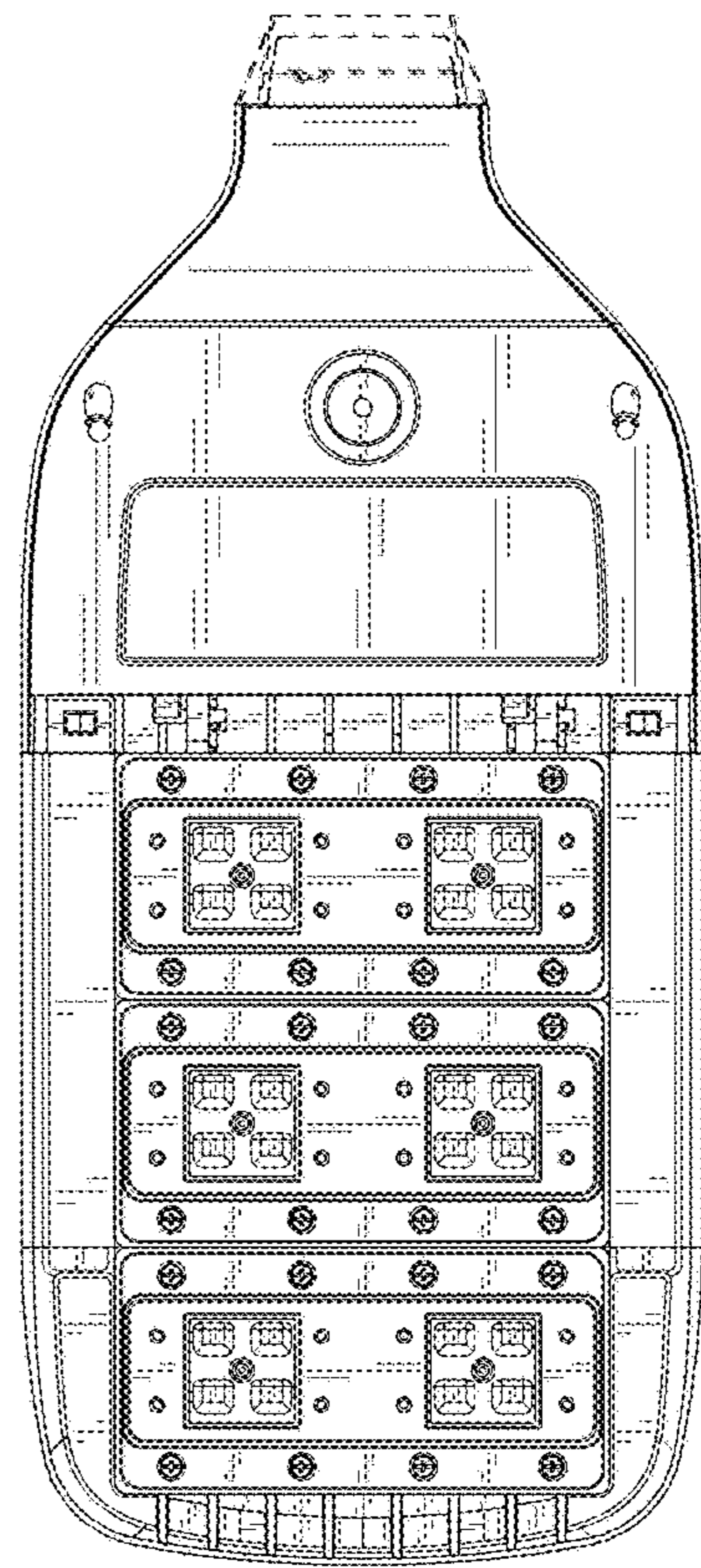


FIG. 7

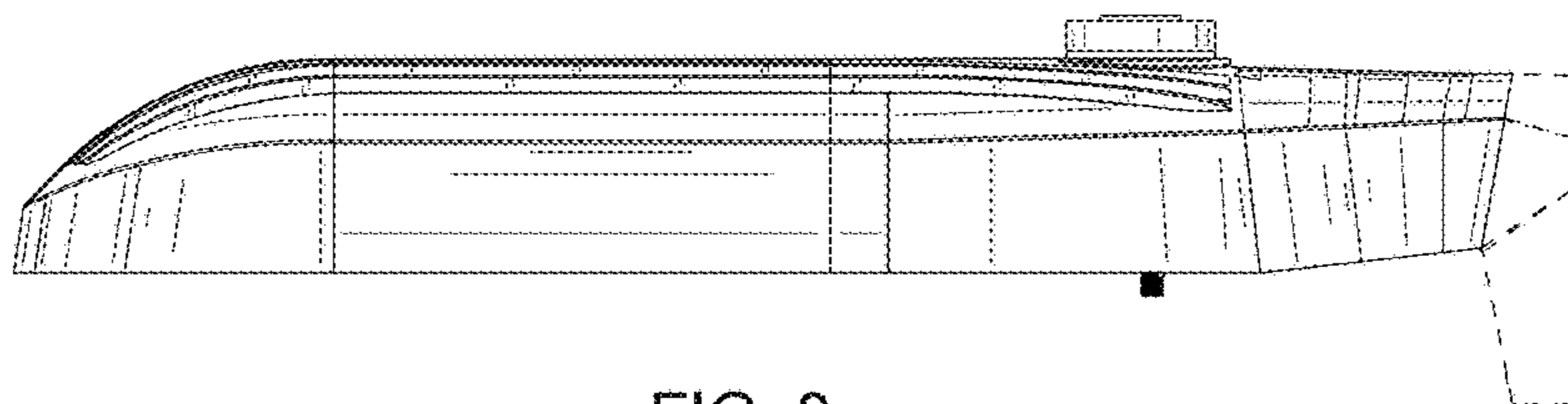


FIG. 8

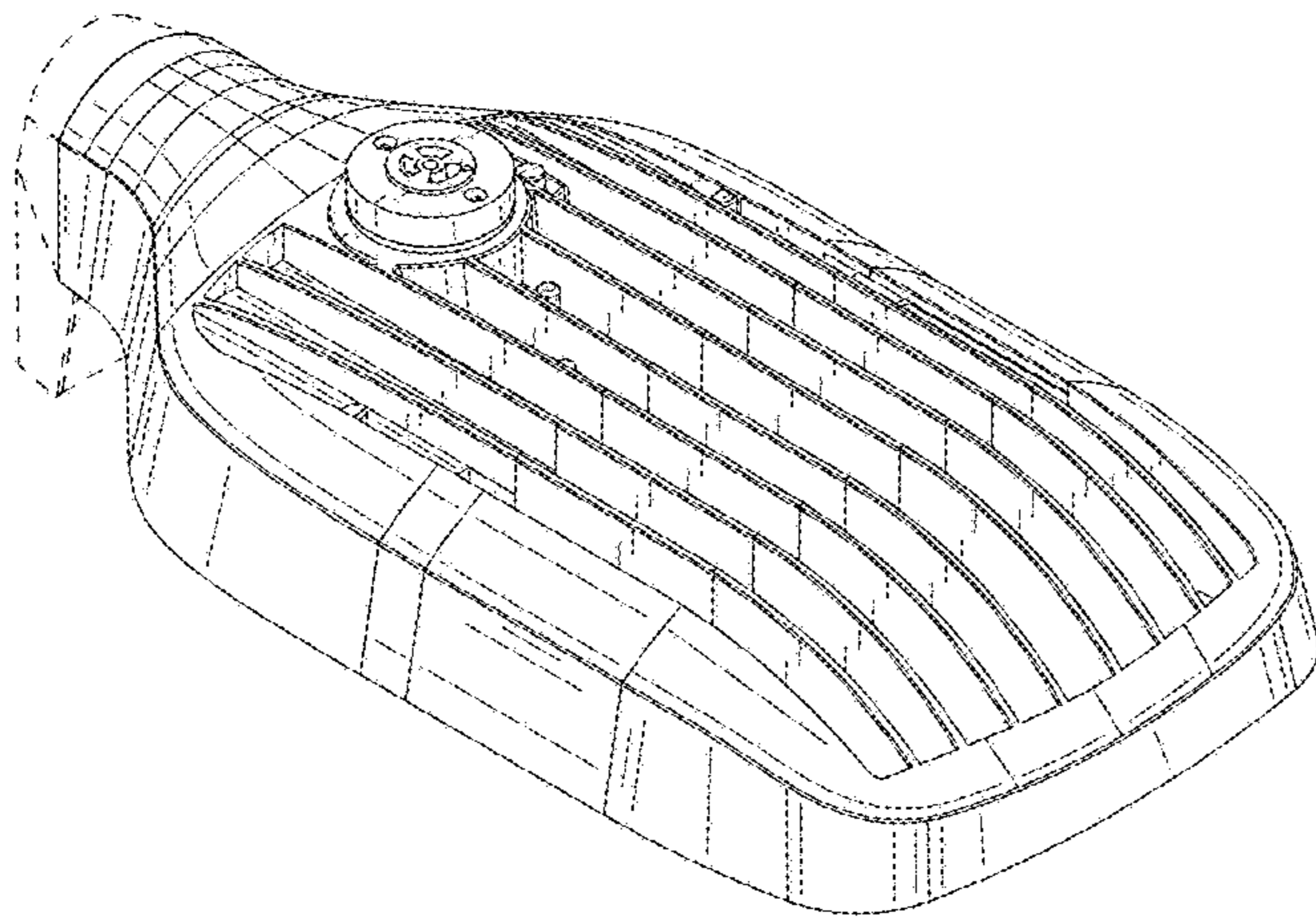


FIG. 9

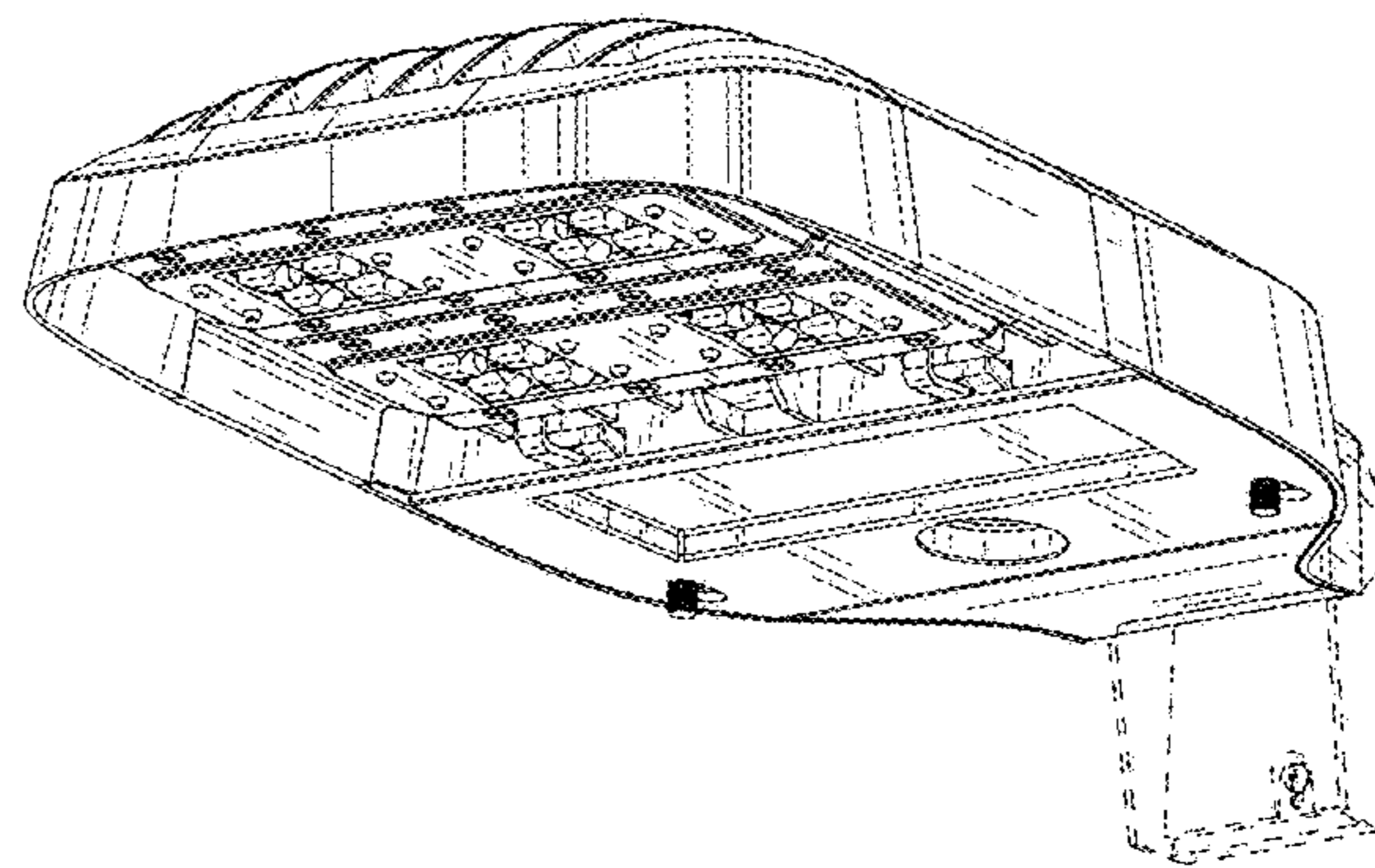


FIG. 10

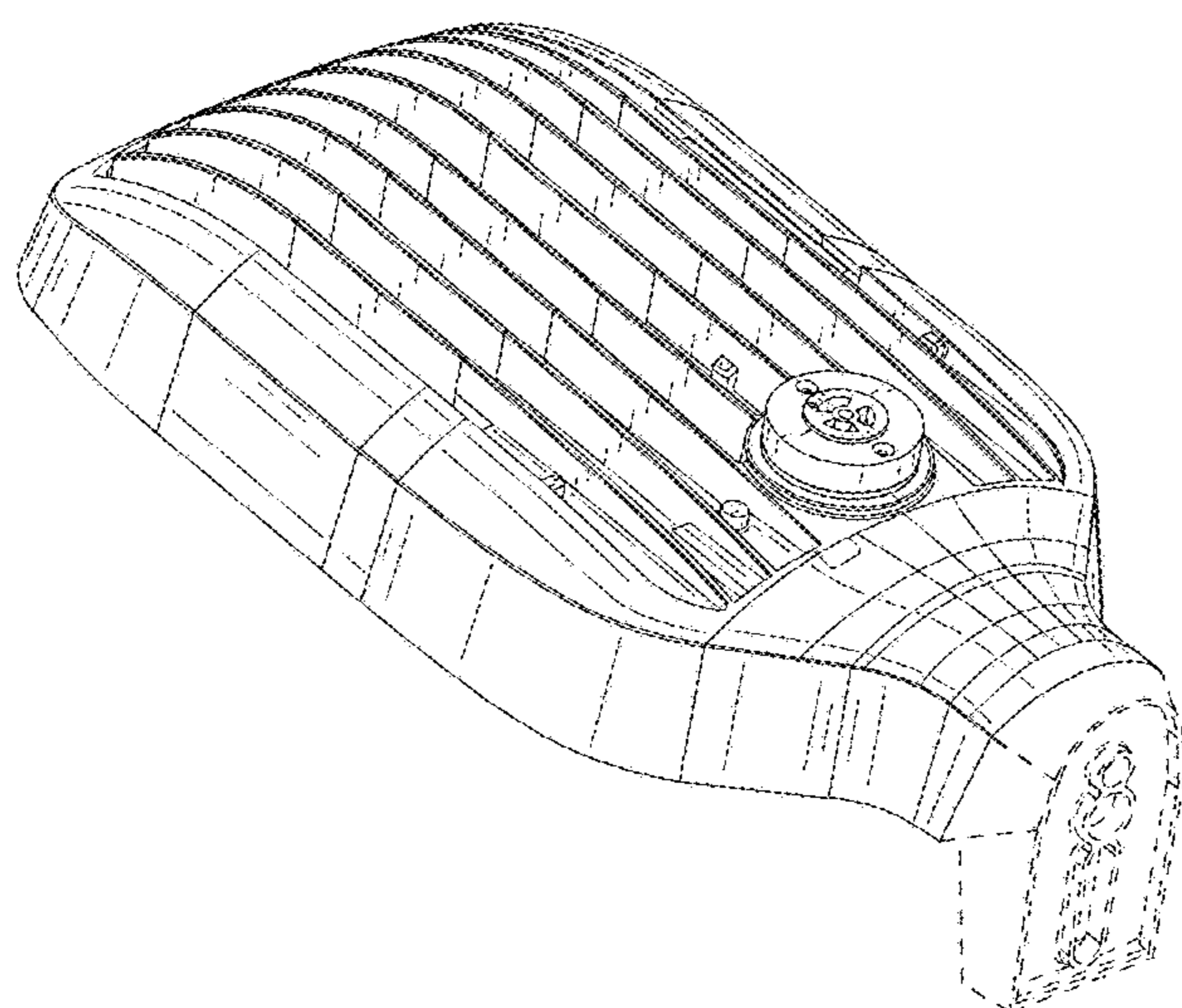


FIG. 11

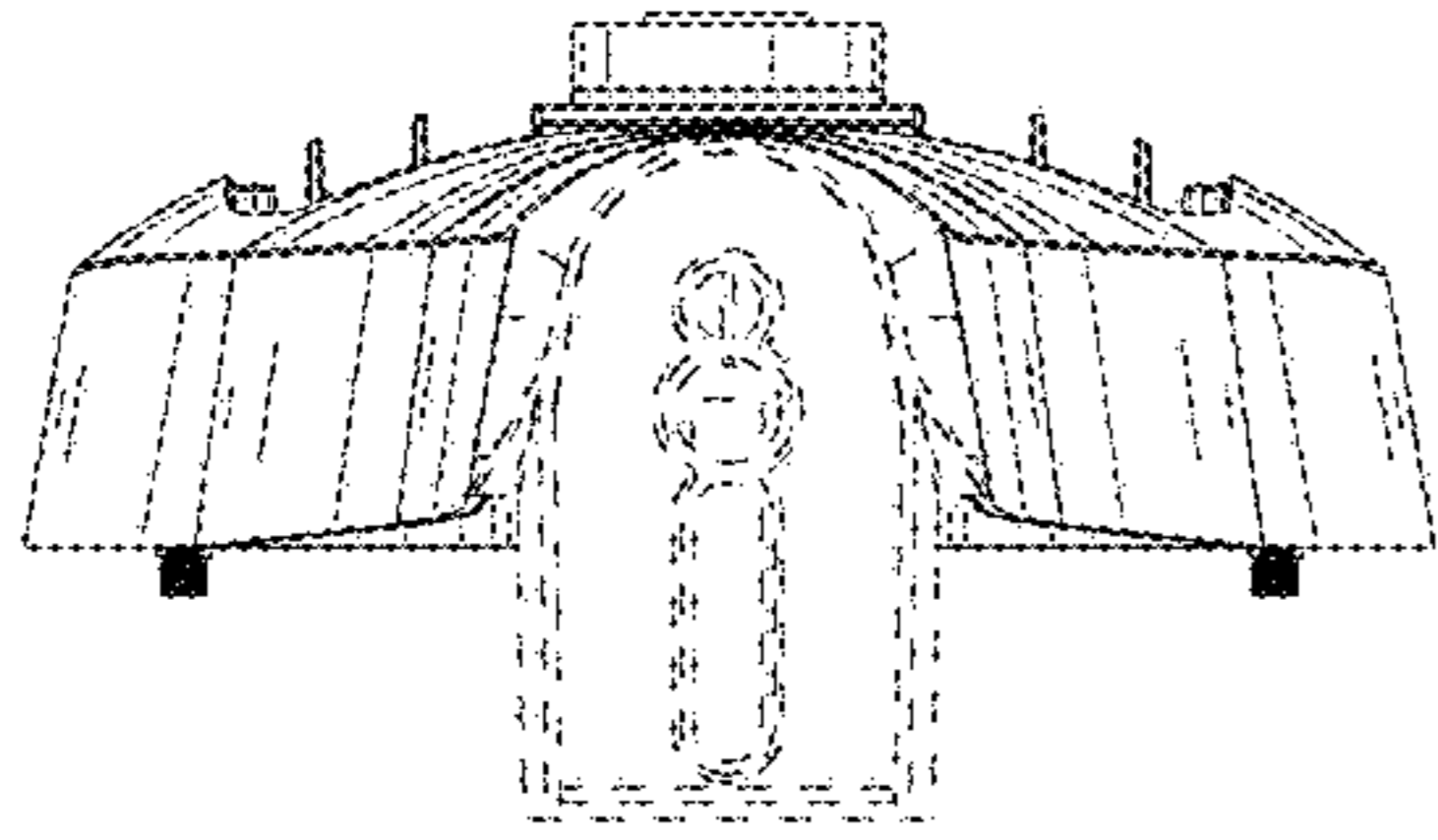


FIG. 12

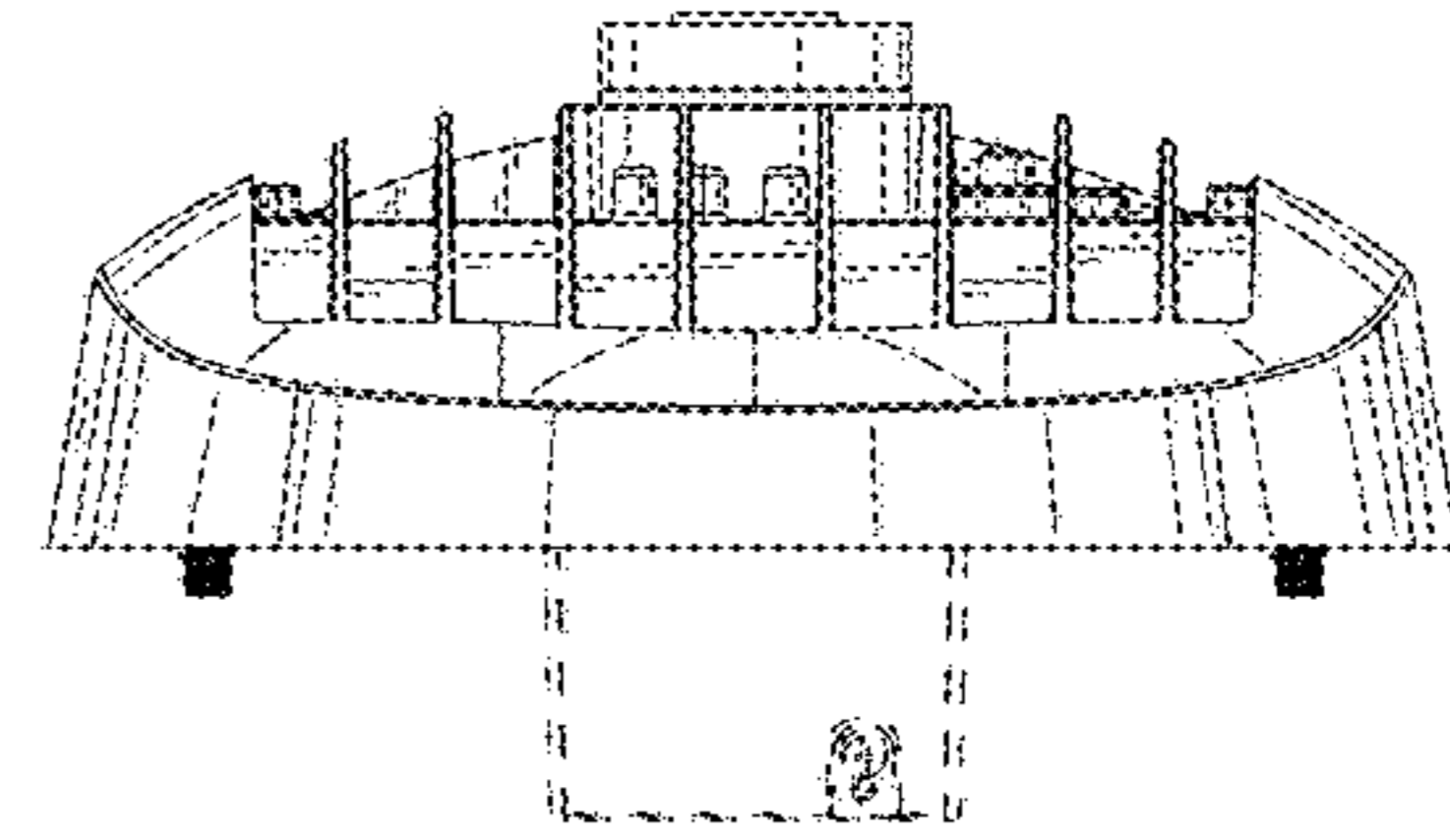


FIG. 13

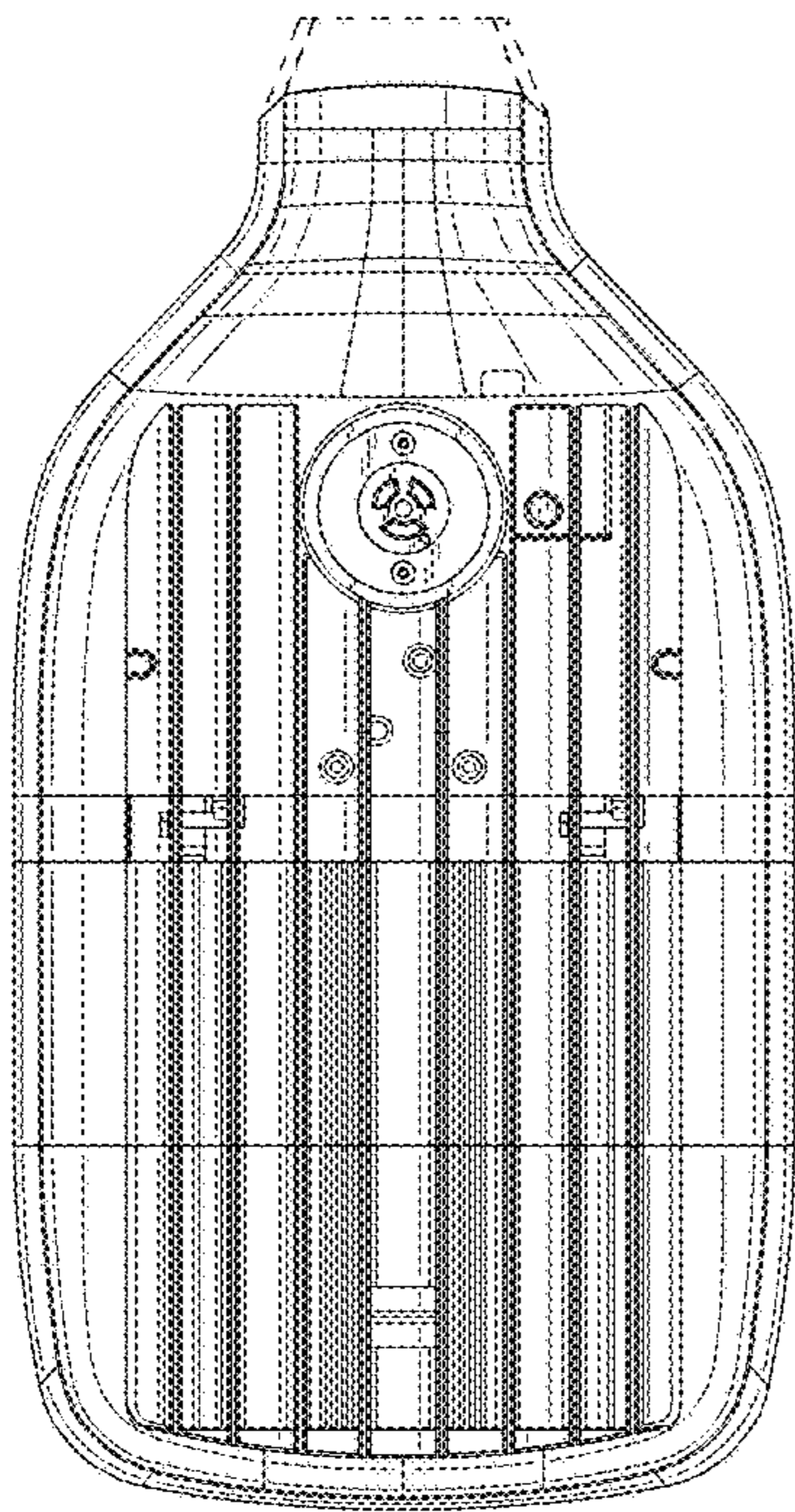


FIG. 14

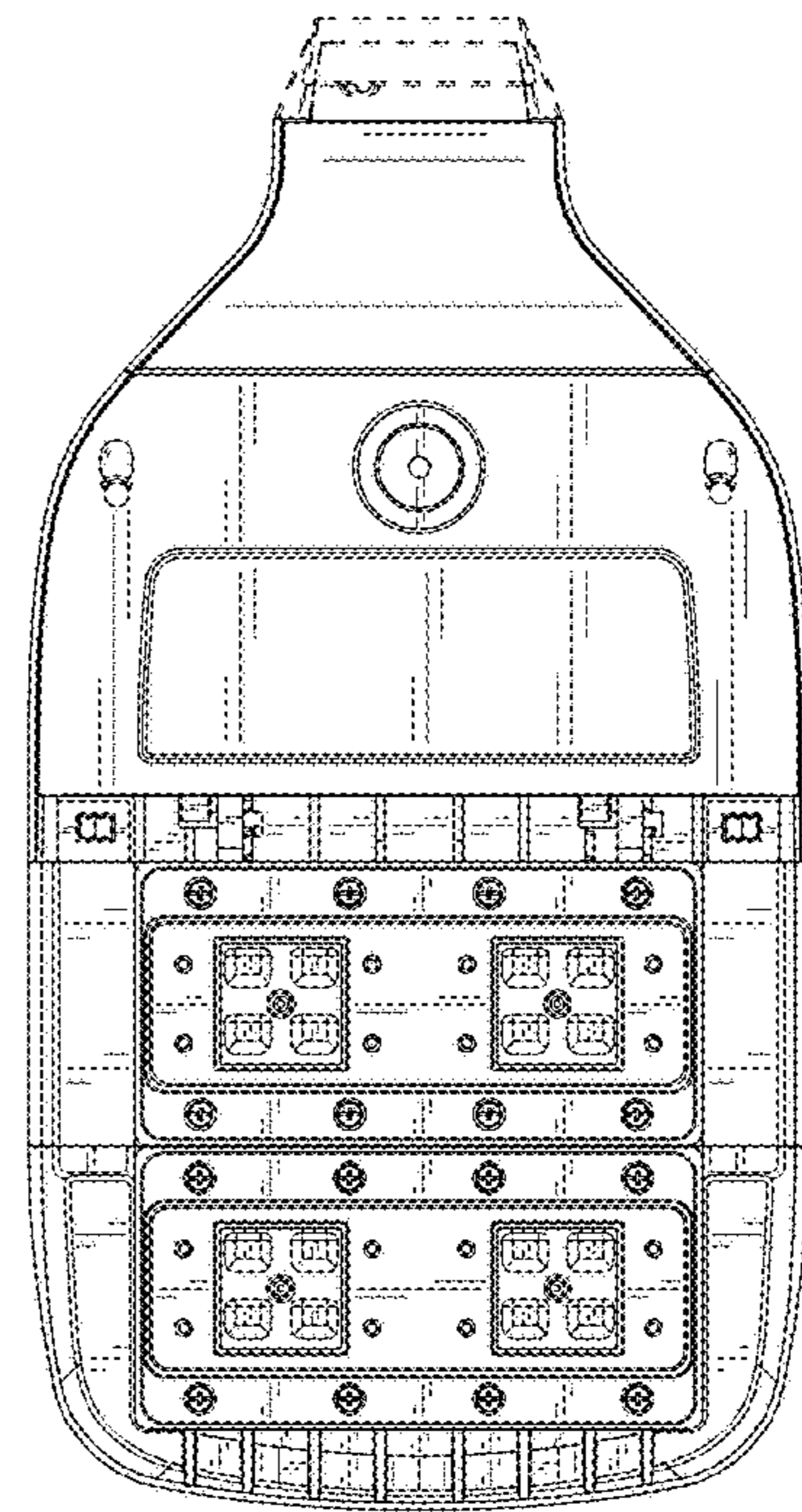


FIG. 15

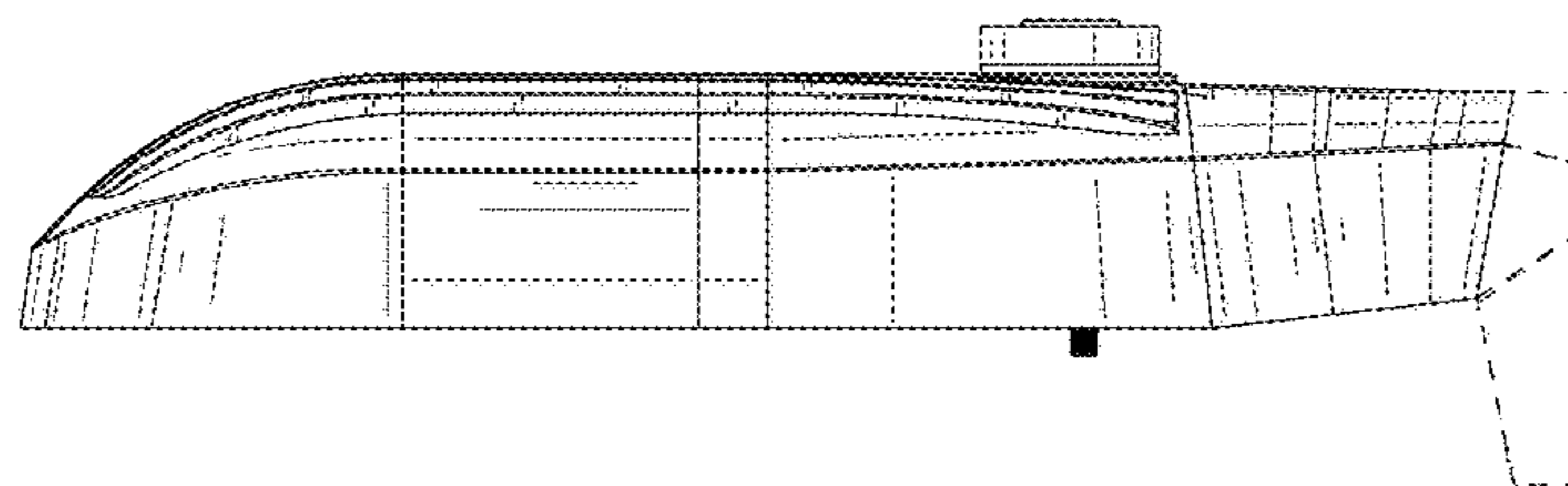


FIG. 16

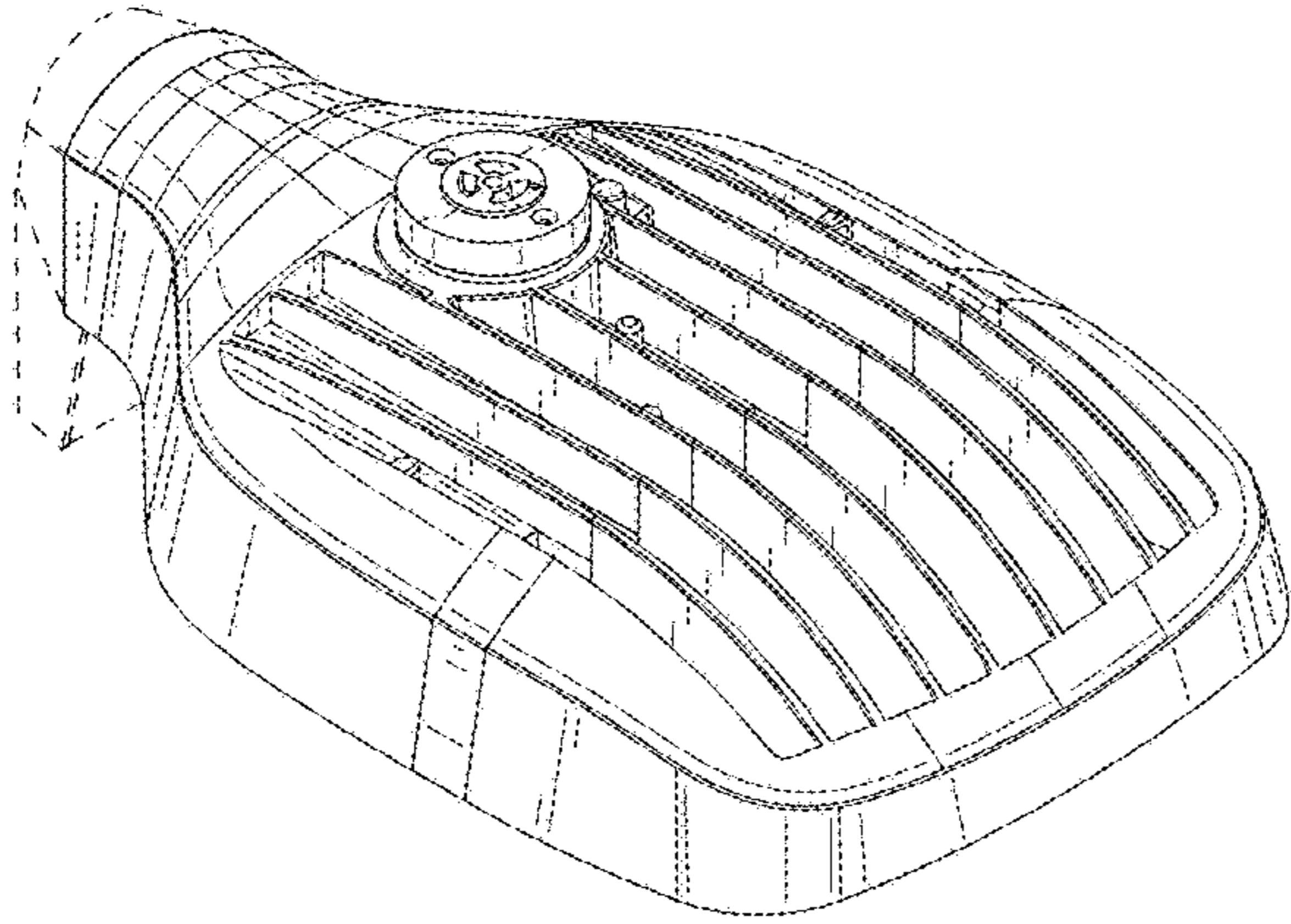


FIG. 17

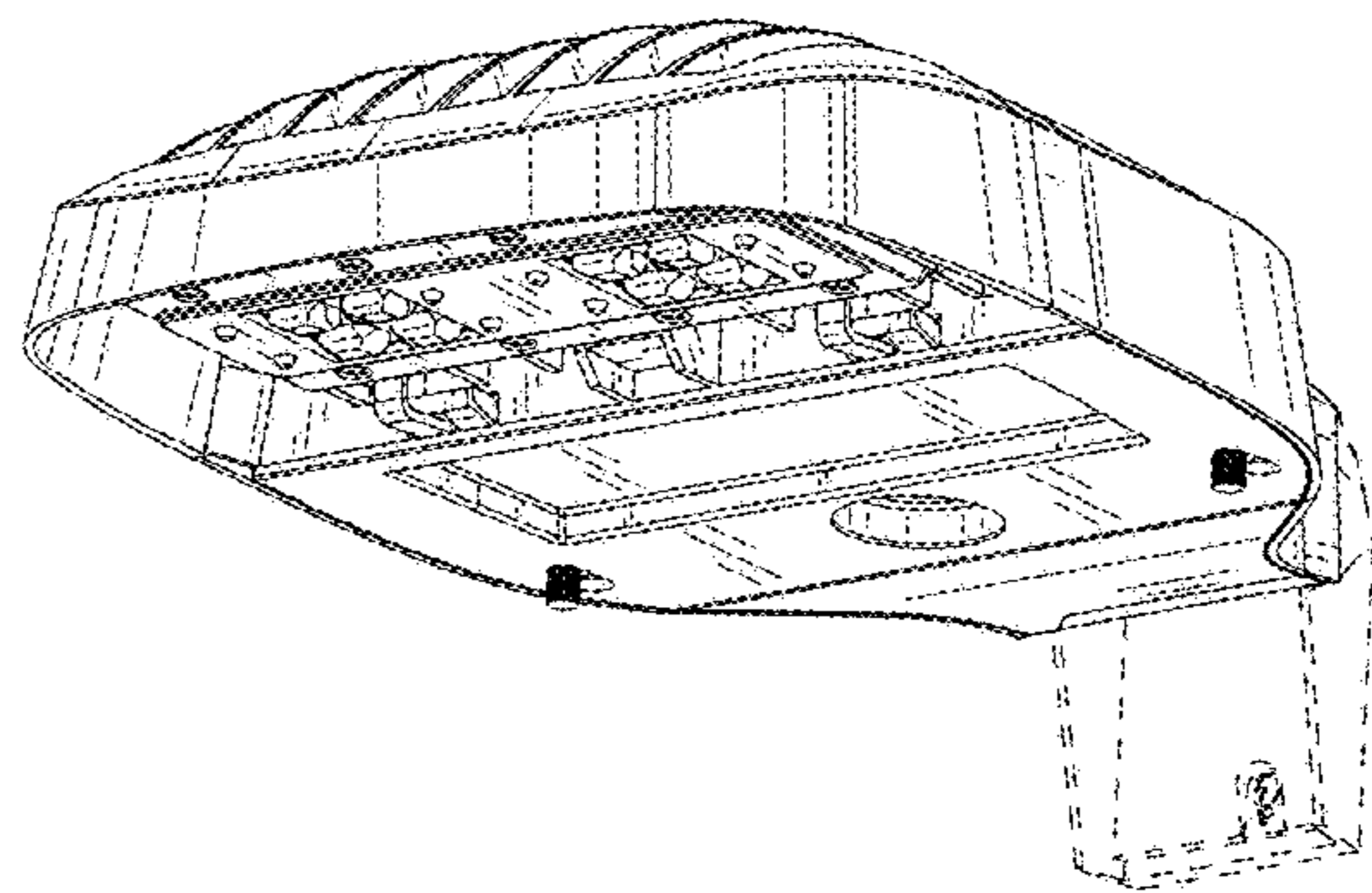


FIG. 18

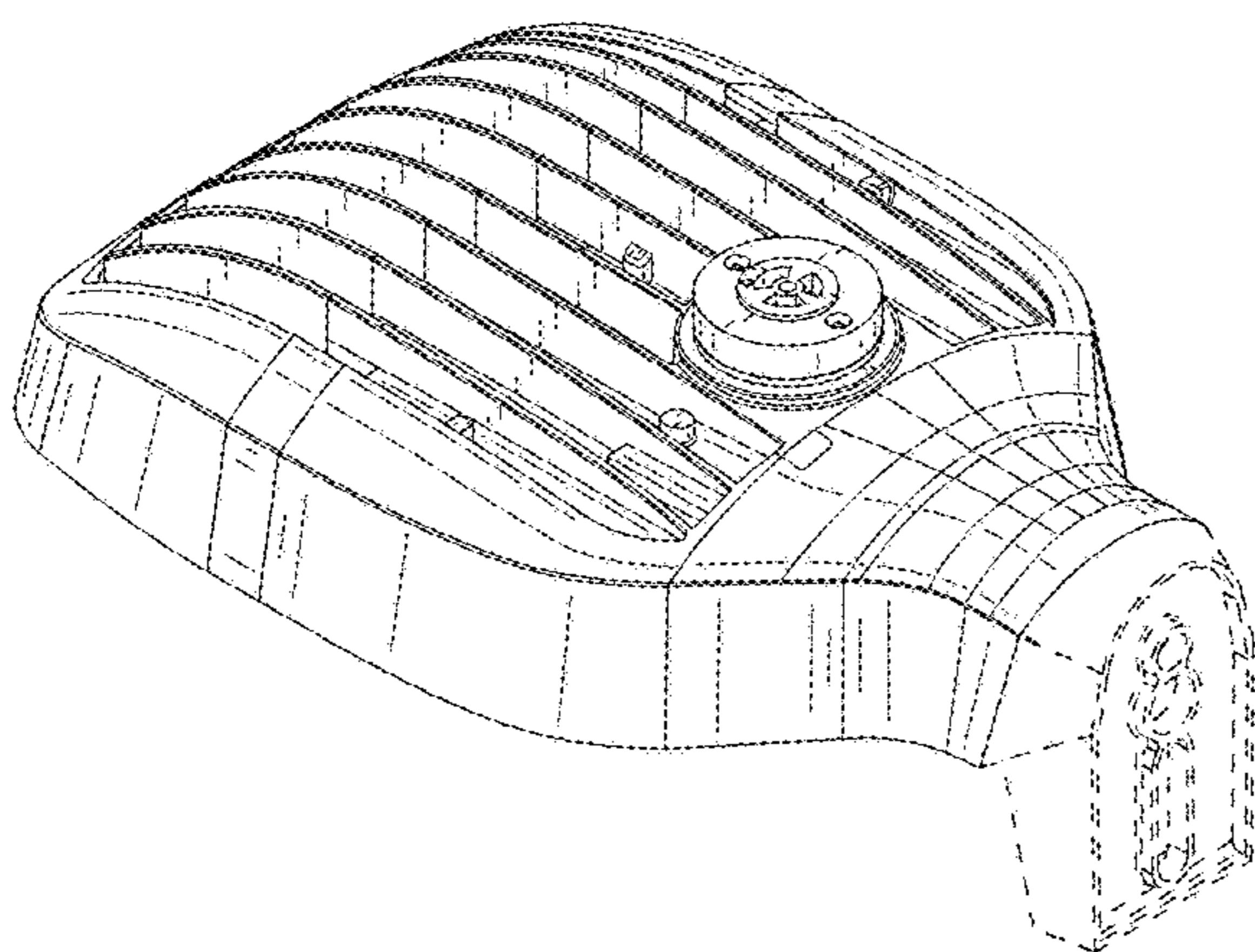


FIG. 19

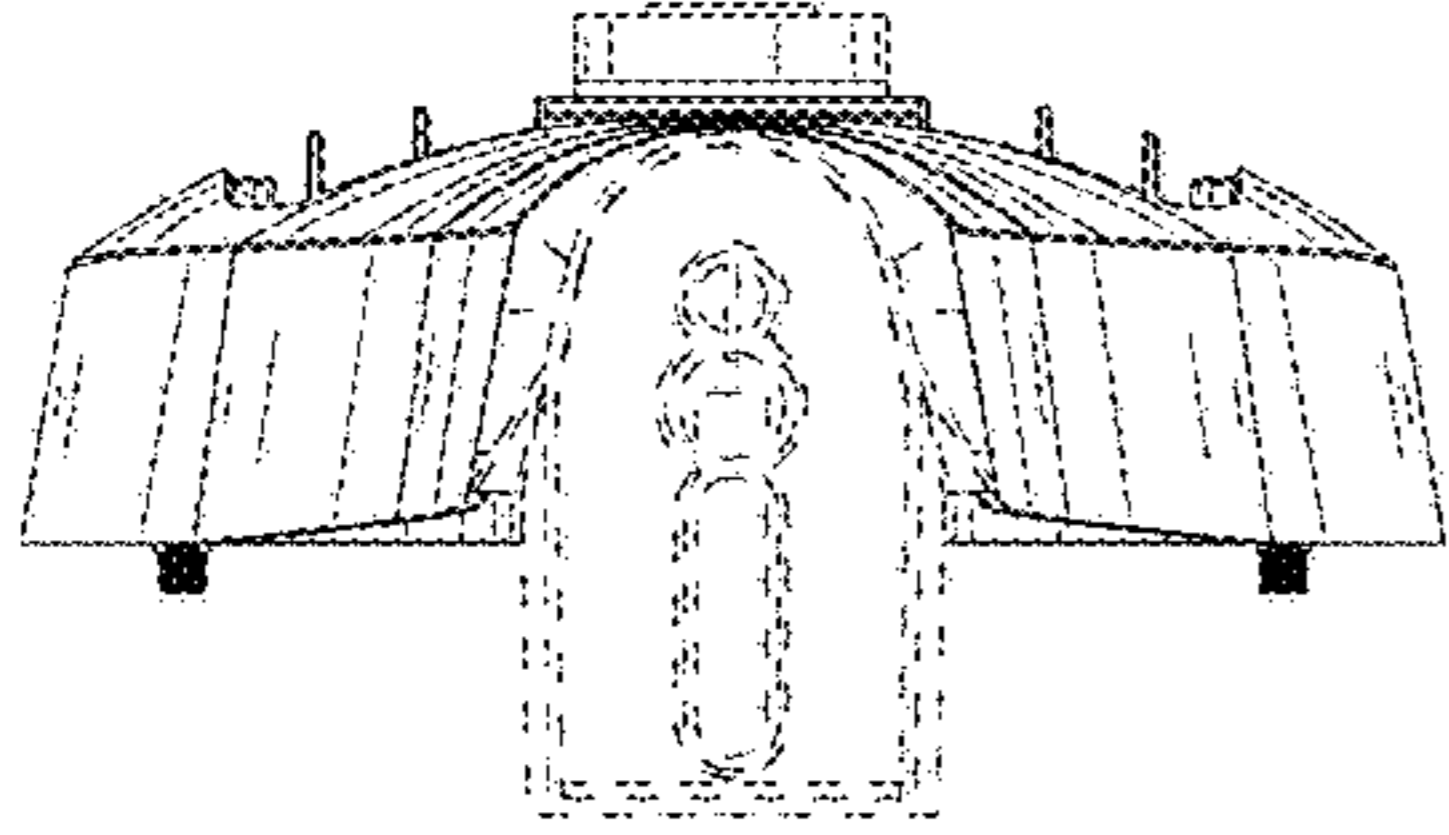


FIG. 20

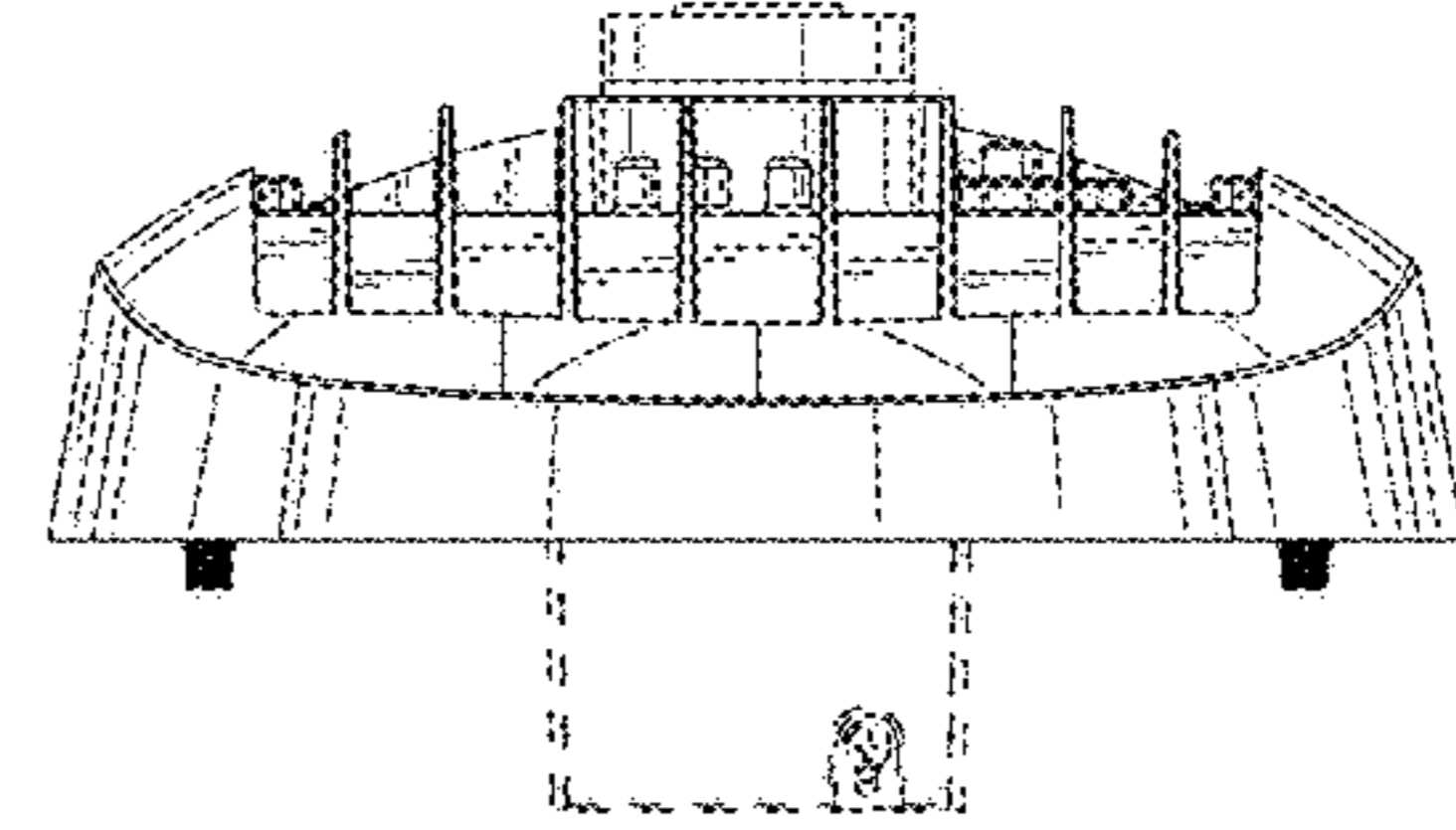


FIG. 21

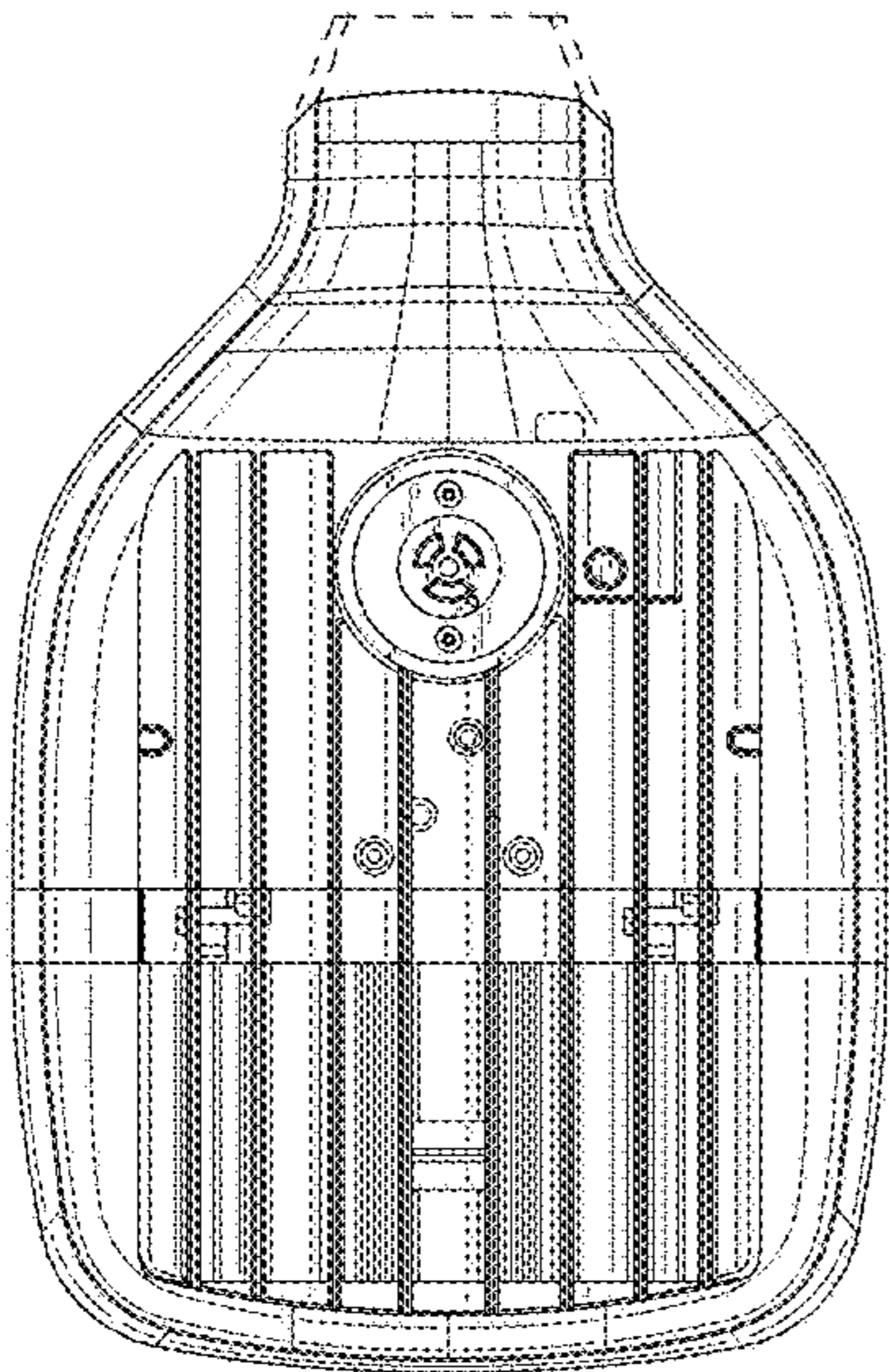


FIG. 22

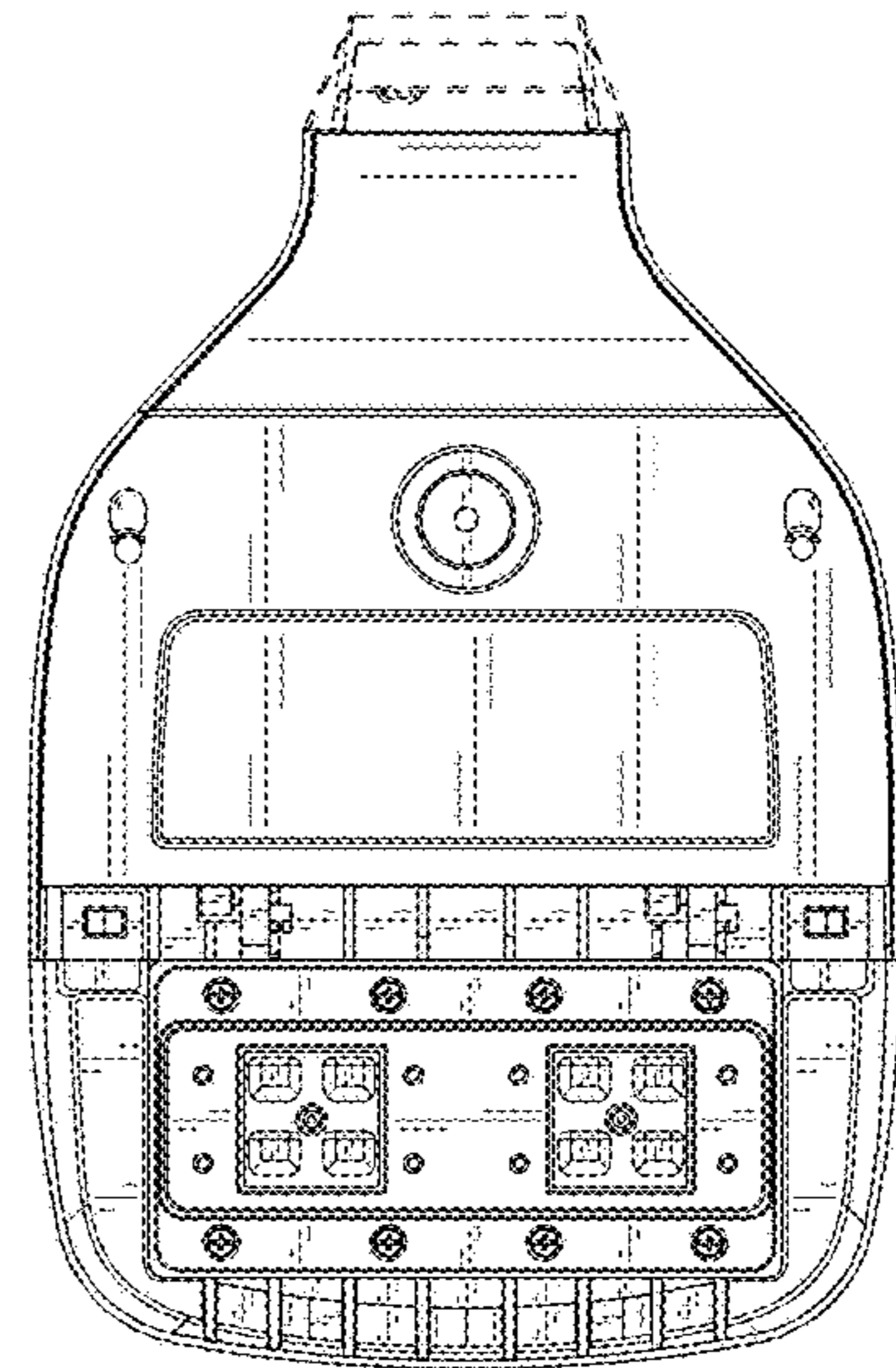


FIG. 23

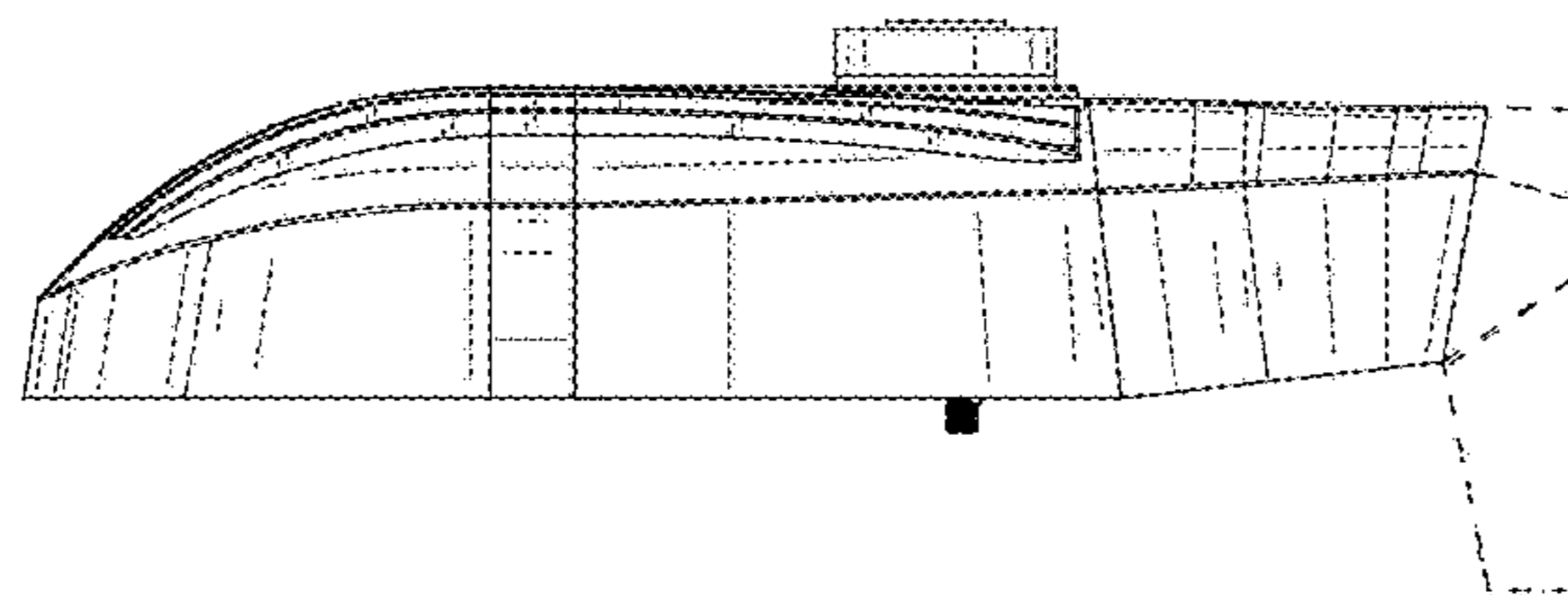


FIG. 24