



US00D841222S

(12) **United States Design Patent** (10) **Patent No.:** **US D841,222 S**
Johnson (45) **Date of Patent:** **** Feb. 19, 2019**

- (54) **CIRCULAR LIGHT**
- (71) Applicant: **London Johnson, Inc.**, New York, NY (US)
- (72) Inventor: **Brian P. Johnson**, New York, NY (US)
- (73) Assignee: **London Johnson, Inc.**, Dallas, TX (US)
- (**) Term: **15 Years**
- (21) Appl. No.: **29/659,271**
- (22) Filed: **Aug. 7, 2018**

Related U.S. Application Data

- (62) Division of application No. 29/573,376, filed on Aug. 4, 2016, now Pat. No. Des. 828,606.
- (51) **LOC (11) Cl.** **26-03**
- (52) **U.S. Cl.**
USPC **D26/89; D26/80**
- (58) **Field of Classification Search**
USPC D26/37, 72, 76, 80, 85, 89, 90
CPC F21S 8/03; F21S 8/033; F21S 8/04; F21S 8/06; F21S 8/061; F21S 8/063; F21W 2131/301; F21V 21/08; F21V 21/0808; F21V 21/096; F21V 21/0965
See application file for complete search history.

(56) **References Cited**

U.S. PATENT DOCUMENTS

- 1,561,554 A * 11/1925 Little F21V 21/0965 211/DIG. 1
- D443,713 S * 6/2001 Benensohn D26/72
- D484,270 S * 12/2003 Yiu D26/89
- D544,117 S * 6/2007 Coughaine D26/37
- D544,618 S * 6/2007 Coughaine D26/37
- D561,925 S * 2/2008 Levine D26/72
- D581,081 S * 11/2008 Mier-Langner D26/72
- D773,102 S * 11/2016 Meise D26/89

- 2006/0250789 A1* 11/2006 Coughaine F21S 9/02 362/157
- 2007/0047224 A1* 3/2007 Lee F21S 9/02 362/132
- 2008/0247160 A1* 10/2008 Jiang F21V 33/0012 362/227
- 2009/0059576 A1* 3/2009 Coughaine F21V 21/0965 362/205
- 2009/0086474 A1* 4/2009 Chou F21S 8/026 362/230
- 2009/0097238 A1* 4/2009 Coughaine F21S 9/02 362/191

(Continued)

OTHER PUBLICATIONS

Brilliant Evolution LED White Puck Light (3-Pack) No. BRRC 133 found at homedepot.com visited Feb. 5, 2018. (Year: 2018) (Year: 2018).*

(Continued)

Primary Examiner — Clare E Hefflin

(74) *Attorney, Agent, or Firm* — Perkins Coie LLP

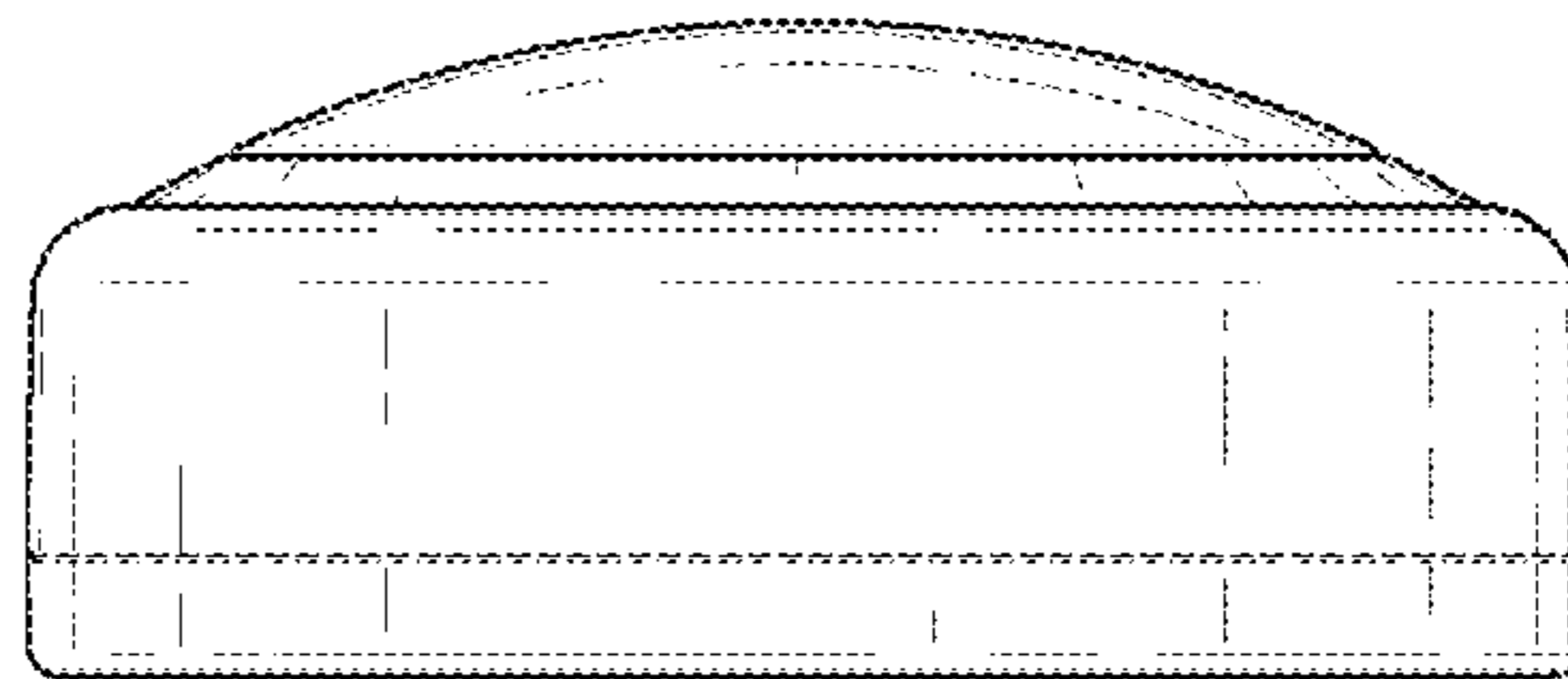
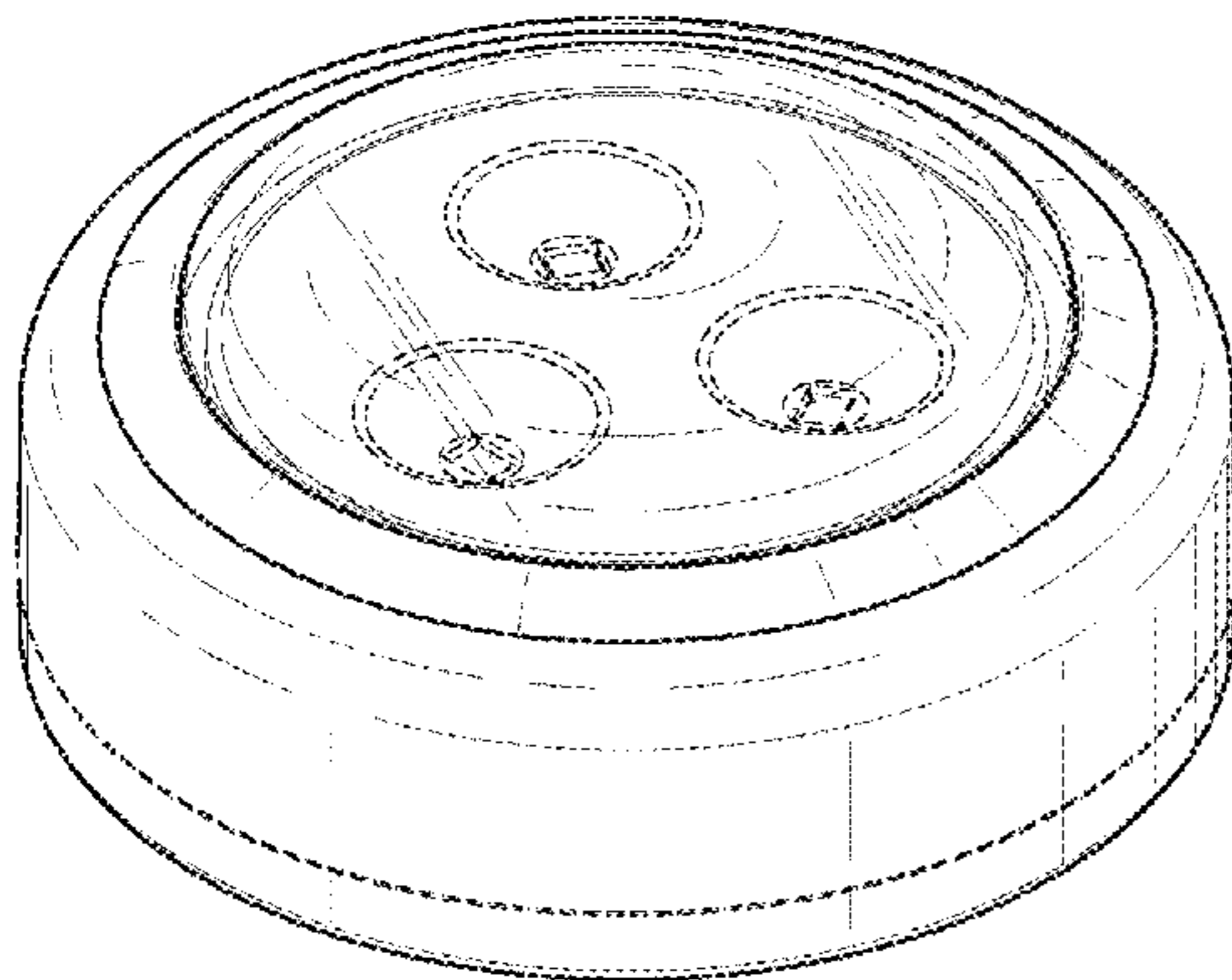
(57) **CLAIM**

The ornamental design for a circular light, as shown and described.

DESCRIPTION

FIG. 1 is a perspective view of a circular light showing my design, as viewed from the top and front.
FIG. 2 is a front profile view thereof.
FIG. 3 is a back profile view thereof.
FIG. 4 is a first side profile view thereof.
FIG. 5 is a second side profile view thereof.
FIG. 6 is a top plan view thereof; and,
FIG. 7 is a bottom plan view thereof.
The details shown in broken lines illustrate features that form no part of the claimed design.

1 Claim, 3 Drawing Sheets



(56)

References Cited

U.S. PATENT DOCUMENTS

2009/0279298 A1* 11/2009 Mier-Langner F21V 21/096
362/235
2011/0128723 A1* 6/2011 Coleman F21V 21/096
362/183
2011/0255274 A1* 10/2011 Coleman F21V 21/0965
362/183
2014/0313700 A1* 10/2014 Connell F21V 33/0072
362/130
2017/0248291 A1* 8/2017 Hsu F21V 19/02

OTHER PUBLICATIONS

Commercial Electric 2.99 in. LED White Battery Operated Puck Light (3-Pack), Model No. BA002 WH, found at homedepot.com, visited Feb. 5, 2018. (Year: 2018).*

Under Cabinet Puck Light—Lighting Avenue SKU: UHD285-UGE1049 by Nu Lighting and Living. Found at nulighting.com.au visited Feb. 20, 2018. (Year: 2018).*

* cited by examiner

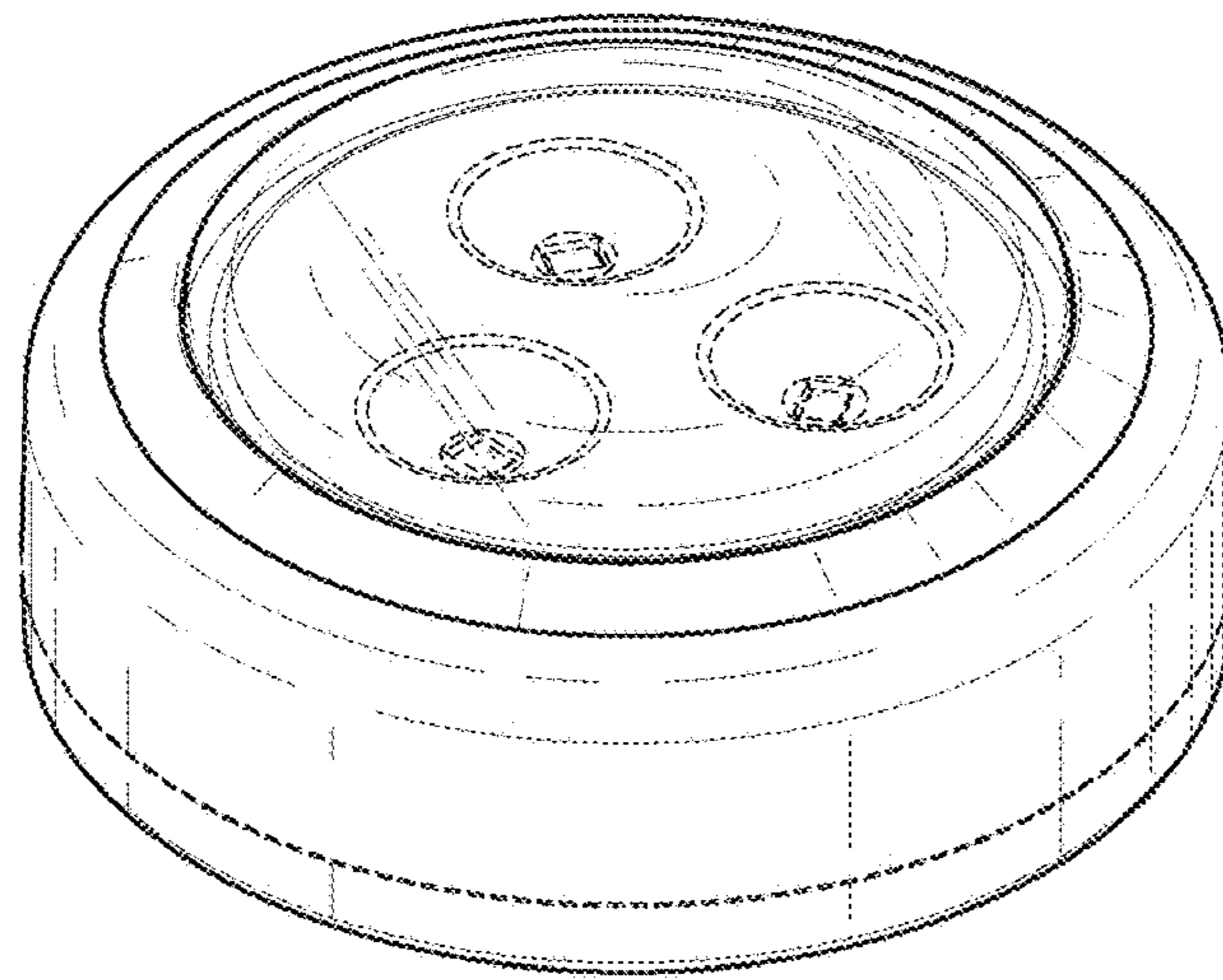


Fig. 1

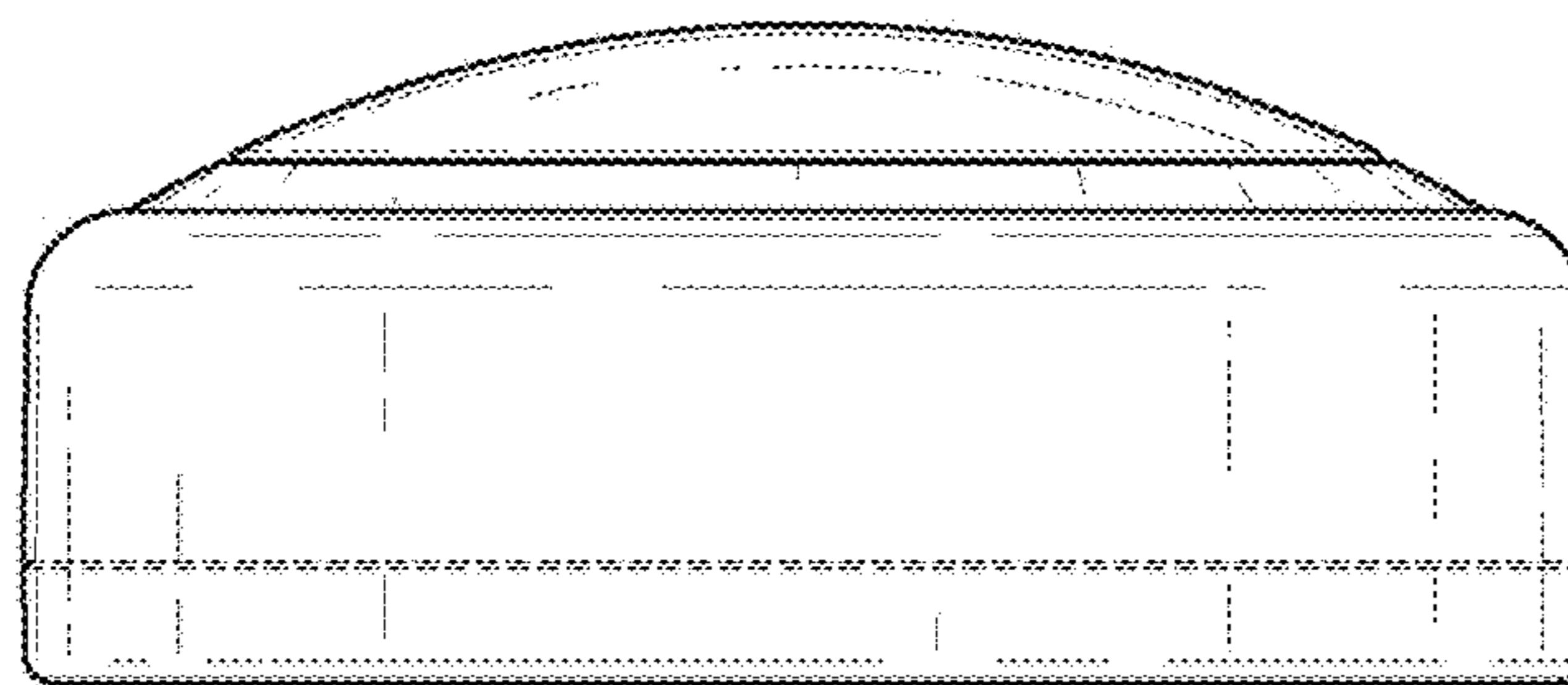


Fig. 2

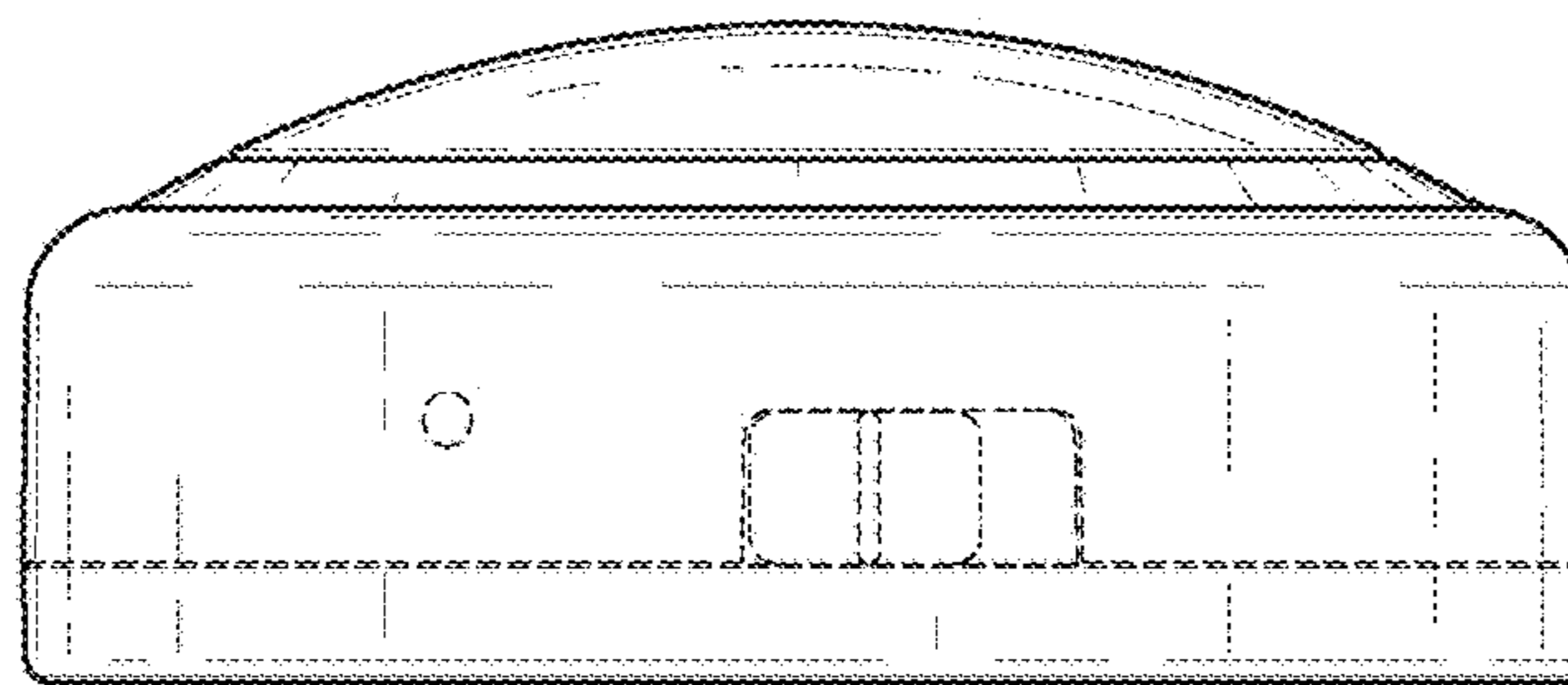


Fig. 3

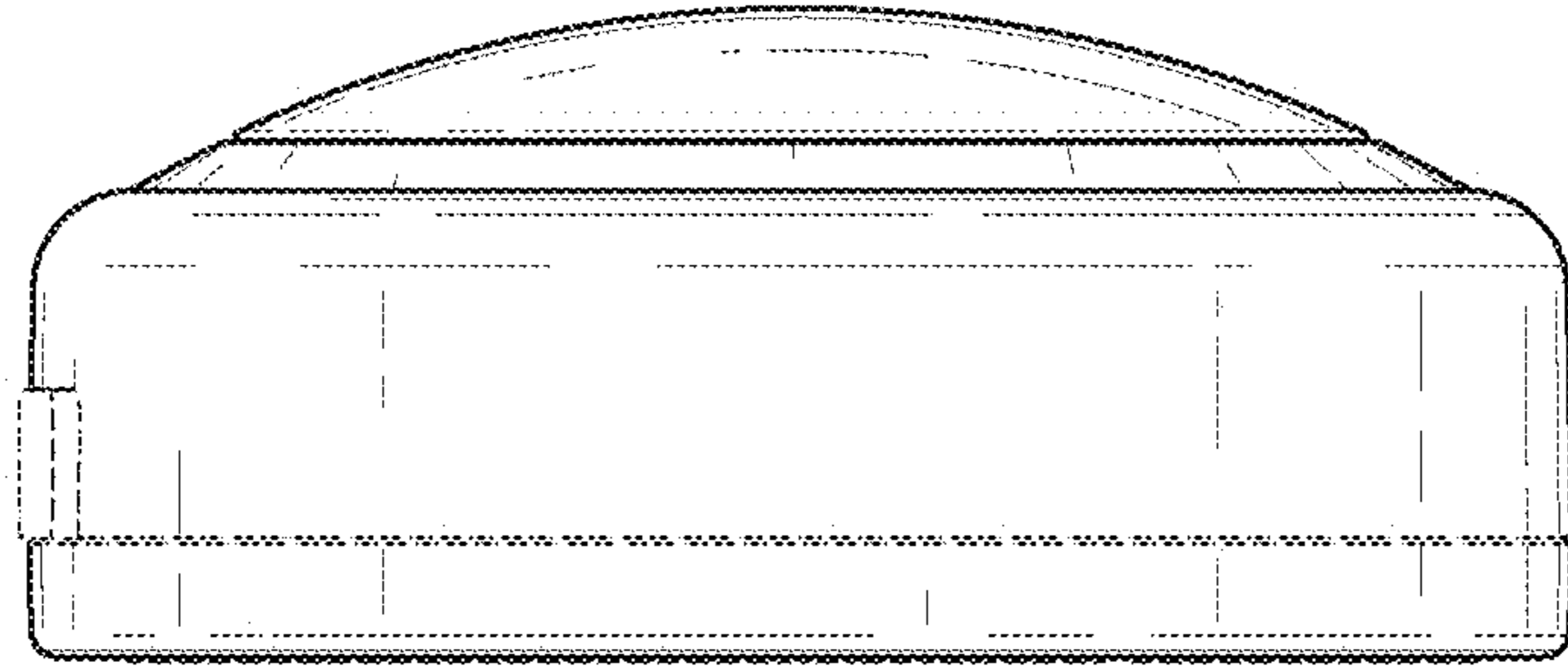


Fig. 4

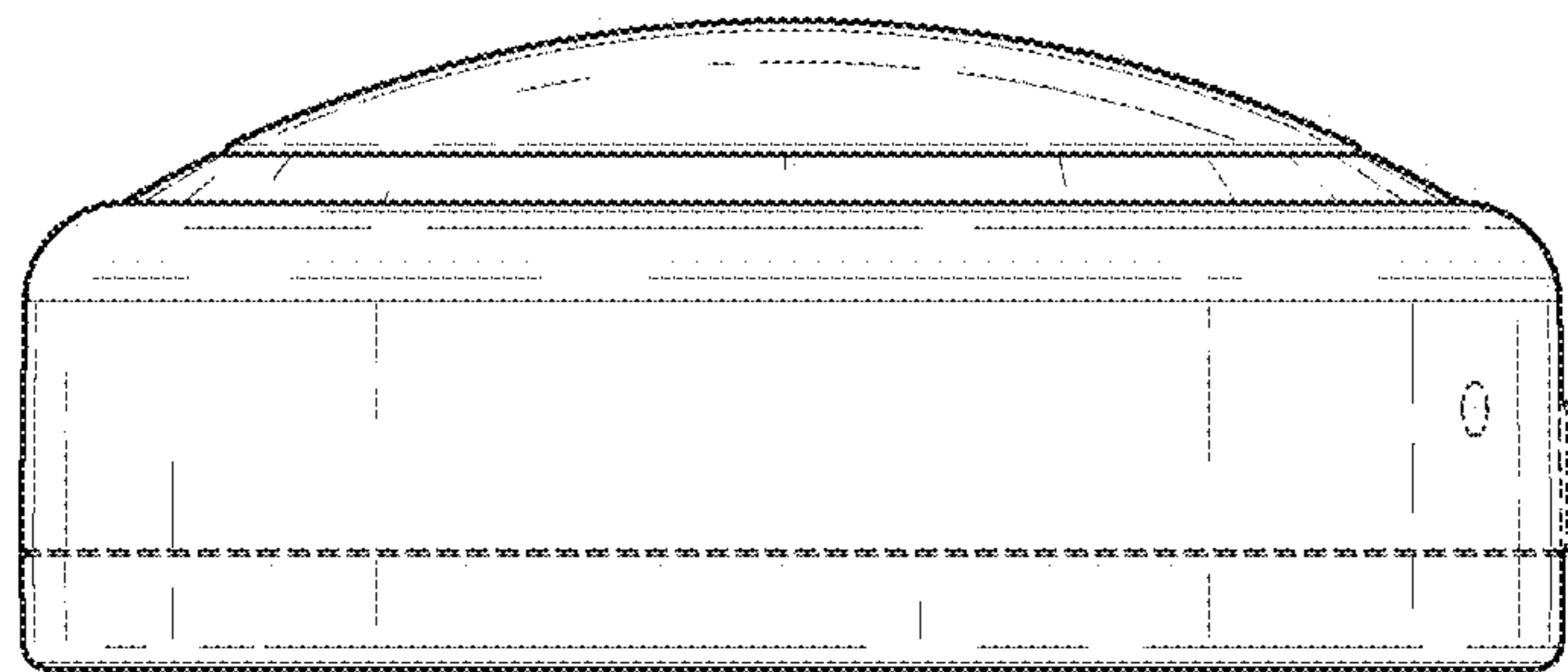


Fig. 5

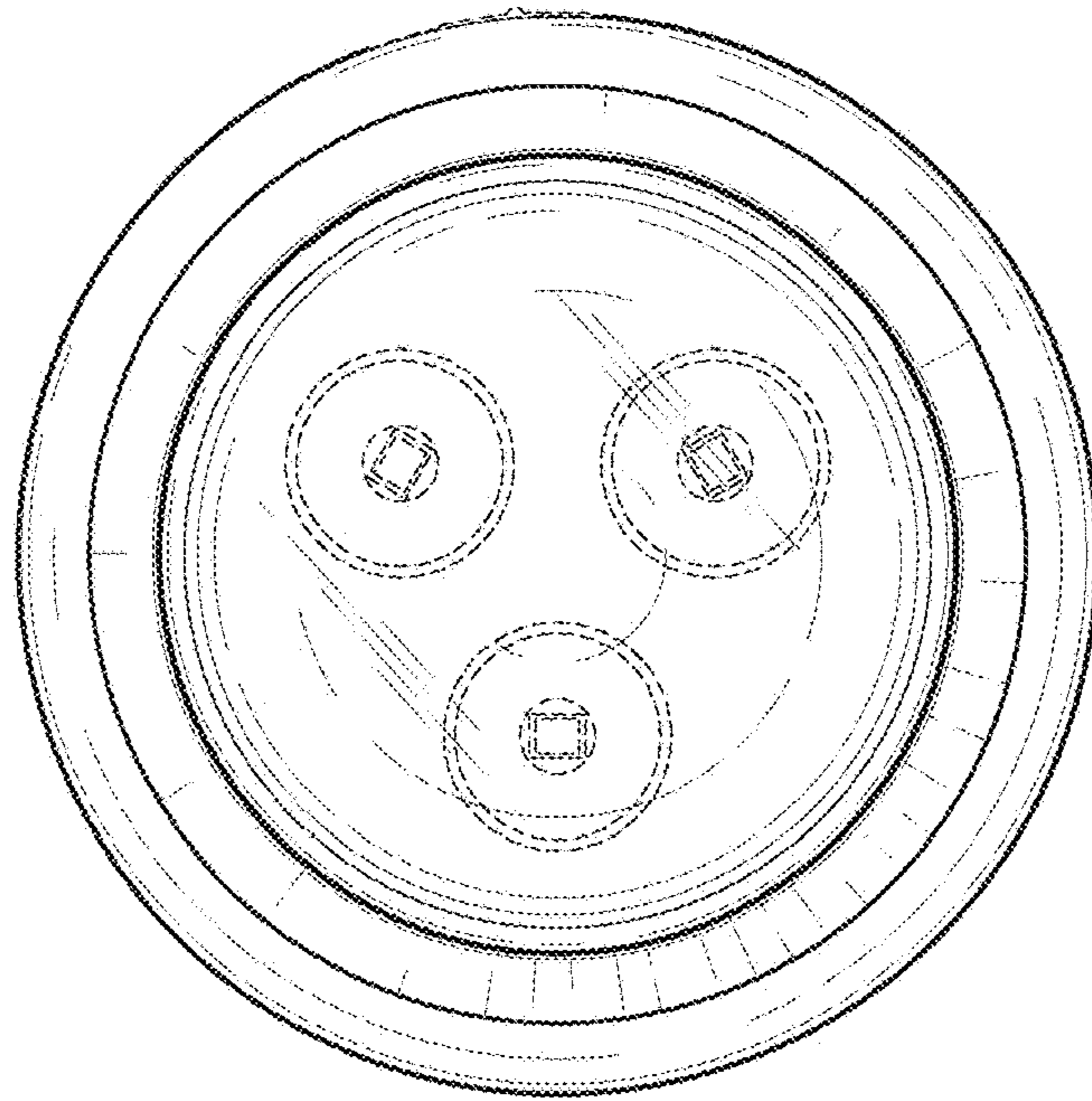


Fig. 6

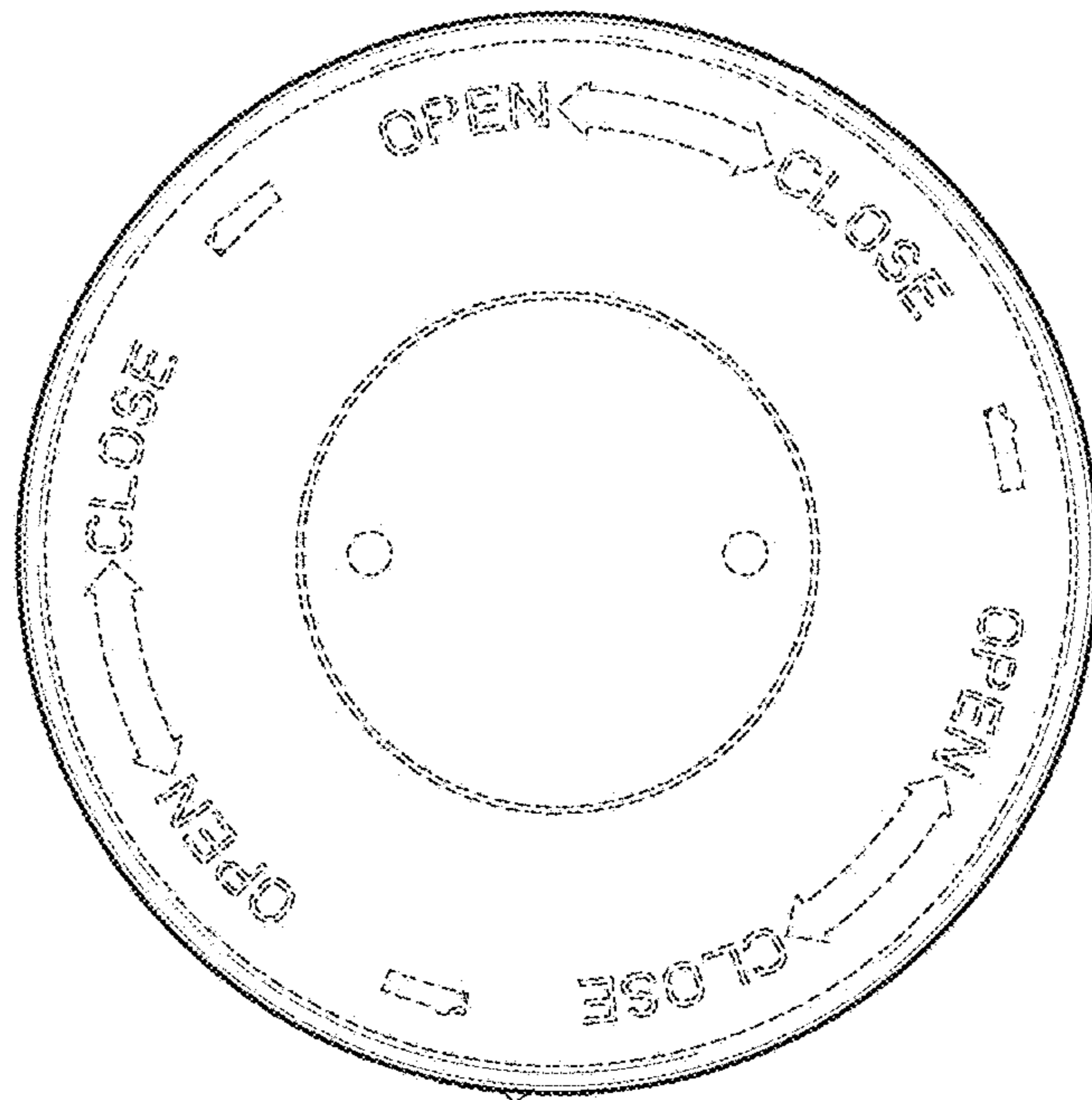


Fig. 7