



US00D841218S

(12) **United States Design Patent**
Liu

(10) **Patent No.:** **US D841,218 S**
(45) **Date of Patent:** **** Feb. 19, 2019**

(54) **SOLAR LAMP**

(71) Applicant: **Shenzhen Ennoplus Technology Co., Ltd., Guangdong (CN)**

(72) Inventor: **Hangyu Liu, Guangdong (CN)**

(**) Term: **15 Years**

(21) Appl. No.: **29/609,385**

(22) Filed: **Jun. 30, 2017**

(30) **Foreign Application Priority Data**

Apr. 26, 2017 (CN) 2017 3 0146278

(51) **LOC (11) Cl.** **26-03**

(52) **U.S. Cl.**
USPC **D26/85**

(58) **Field of Classification Search**
USPC D26/72, 85, 92
CPC F21S 8/03; F21S 8/033; F21S 8/036; F21S 8/037; F21S 9/022; F21S 9/024; F21S 9/03; F21S 9/035; F21S 9/037; F21W 2131/107; G08B 13/193
See application file for complete search history.

(56) **References Cited**

U.S. PATENT DOCUMENTS

- D236,647 S * 9/1975 Stewart D26/85
- 4,939,359 A * 7/1990 Freeman G01V 8/10
250/221
- D535,775 S * 1/2007 Lueken D26/67
- D786,470 S * 5/2017 Largent D26/72
- D791,994 S * 7/2017 Liu D10/106.8
- D800,943 S * 10/2017 Shundong D26/85
- D805,236 S * 12/2017 Exley D26/85
- D816,259 S * 4/2018 Liu D26/85

- D822,874 S * 7/2018 Hu D26/85
- 2009/0034242 A1 * 2/2009 Engel F21S 8/033
362/147
- 2013/0050996 A1 * 2/2013 Holscher F21S 9/022
362/184
- 2015/0167936 A1 * 6/2015 Yong F21V 29/83
362/190
- 2017/0321877 A1 * 11/2017 Polidoro F21S 8/033

OTHER PUBLICATIONS

LITOM Solar Lights Outdoor with Adjustable Lighting Time. Date first available at amazon.com Aug. 2, 2017. (Year: 2017).*

* cited by examiner

Primary Examiner — Clare E Hefflin

(74) *Attorney, Agent, or Firm* — Prakash Nama; Global IP Services, PLLC

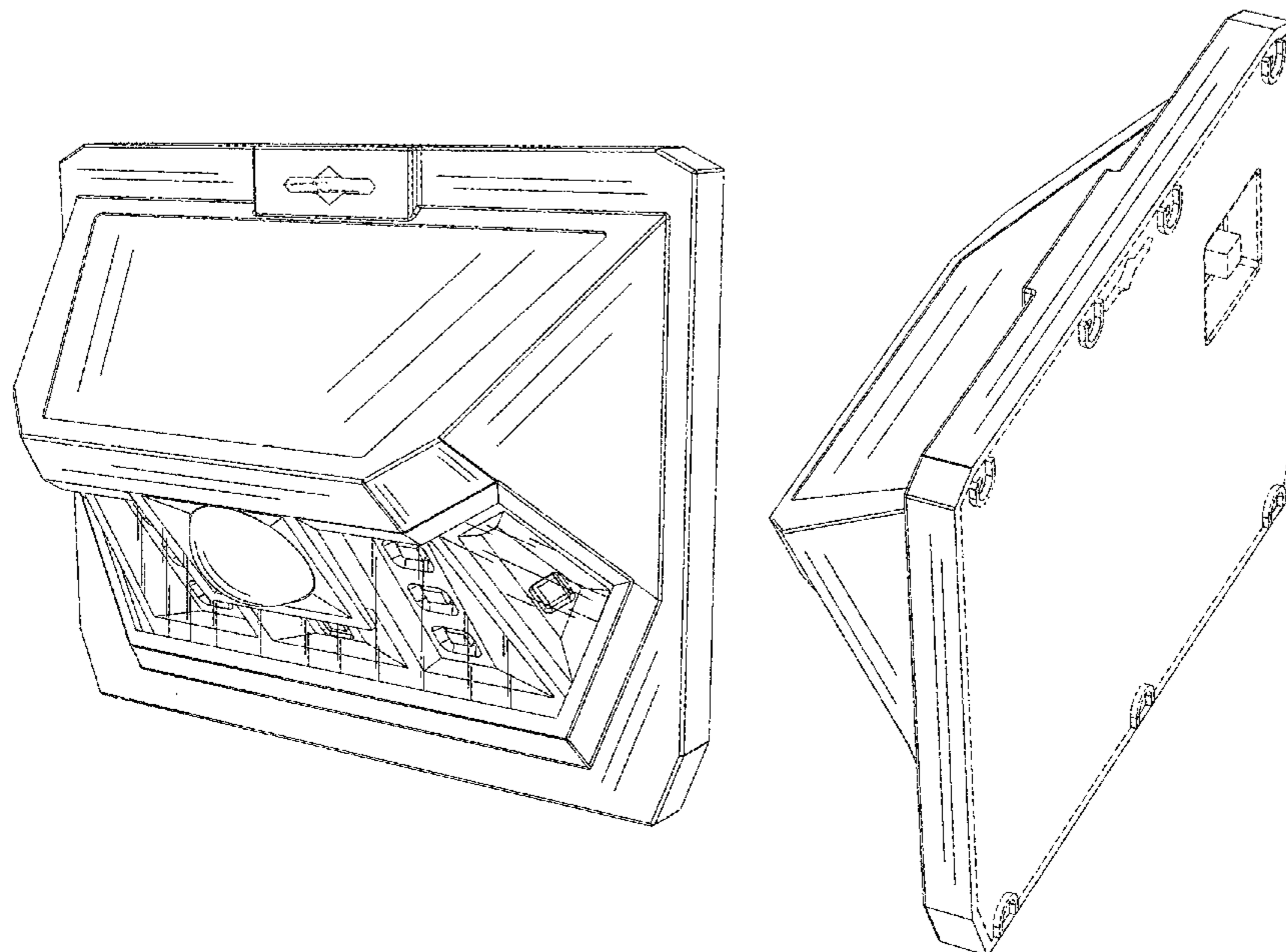
(57) **CLAIM**

The ornamental design for a solar lamp, as shown and described.

DESCRIPTION

FIG. 1 is a front elevation view of a solar lamp showing my new design;
FIG. 2 is a rear elevation view thereof;
FIG. 3 is a left side elevation view thereof;
FIG. 4 is a right side elevation view thereof;
FIG. 5 is a top plan view thereof;
FIG. 6 is a bottom plan view thereof;
FIG. 7 is a first perspective view thereof;
FIG. 8 is a second perspective view thereof;
FIG. 9 is a third perspective view thereof; and,
FIG. 10 is a fourth perspective view thereof.
The broken lines in the drawings illustrate portions of the solar lamp which form no part of the claimed design.

1 Claim, 10 Drawing Sheets



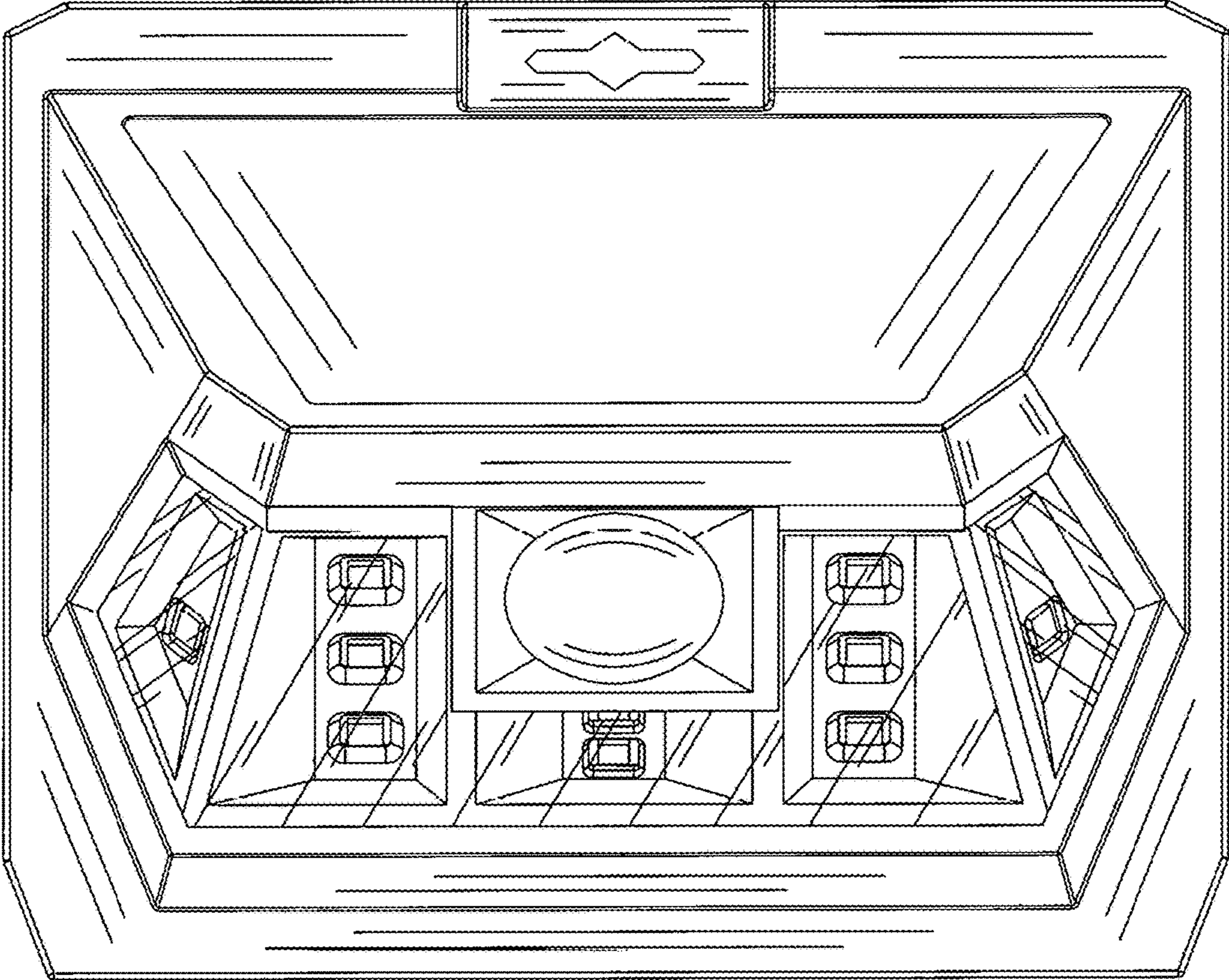


Fig. 1

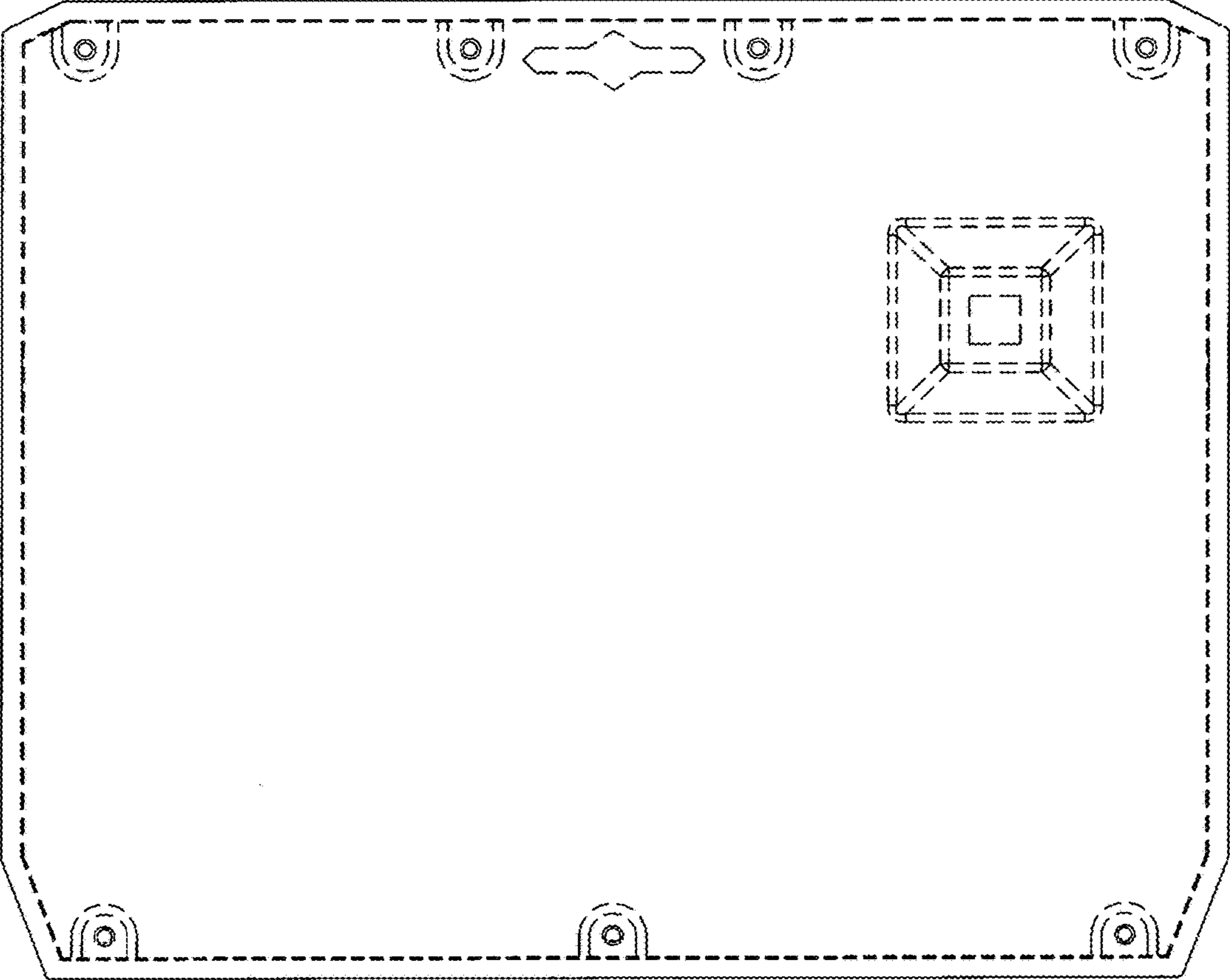


Fig. 2

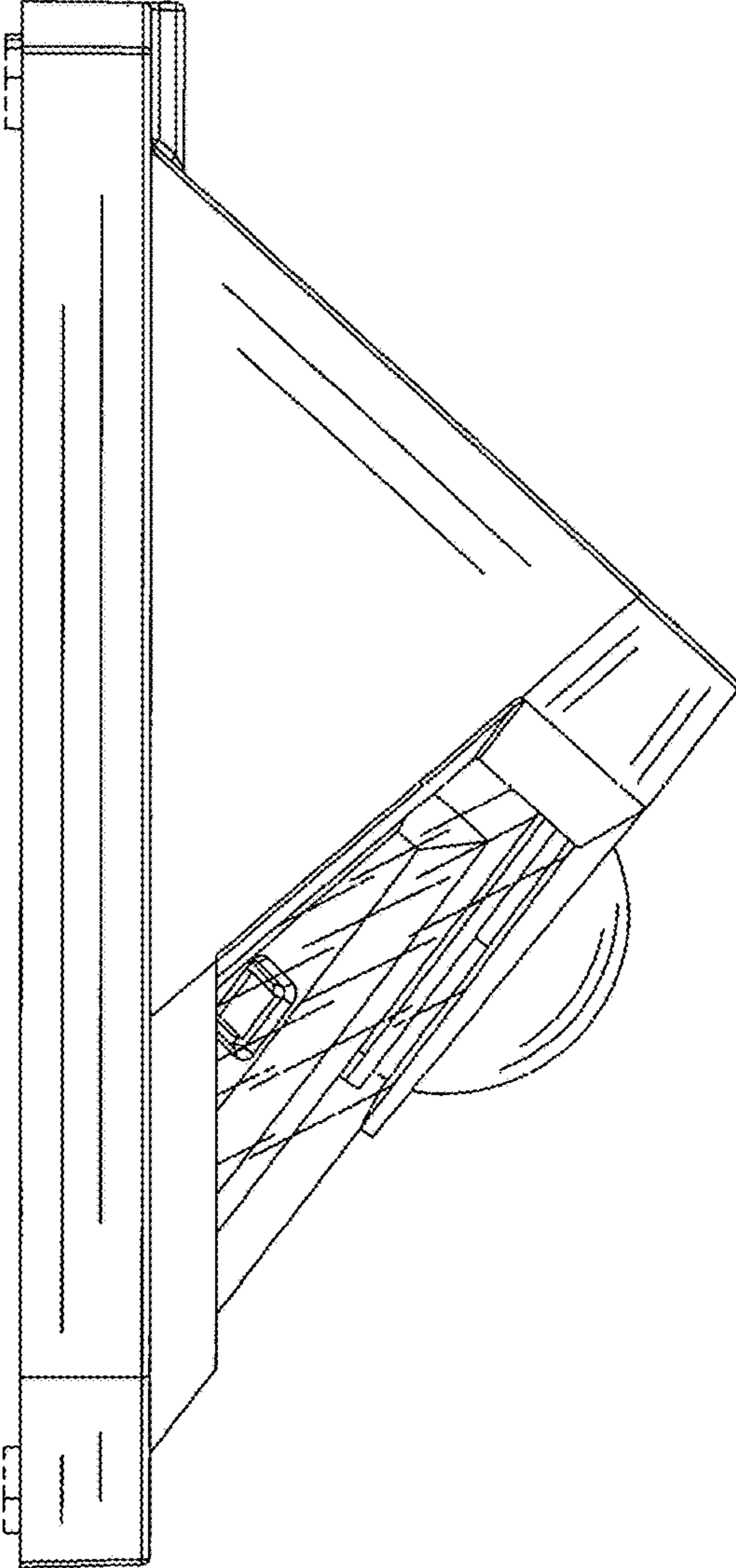


Fig. 3

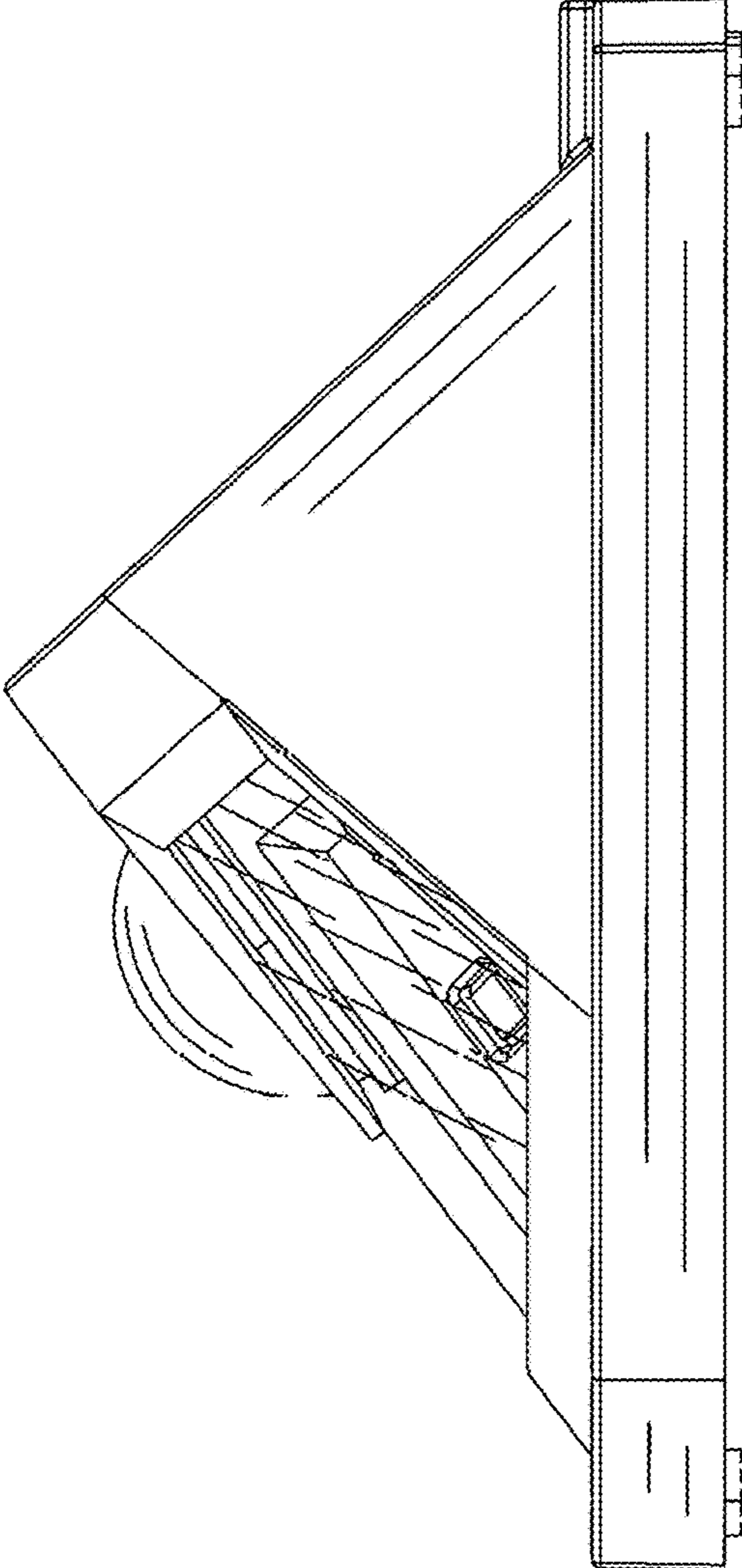


Fig. 4

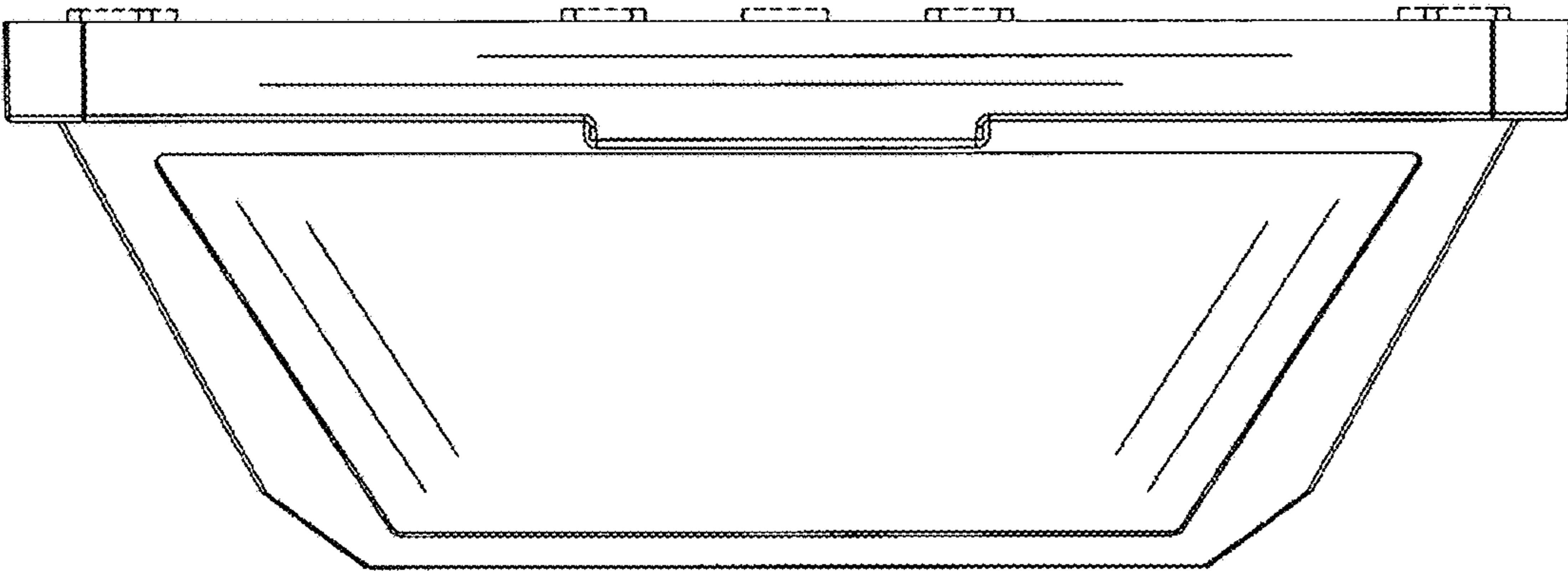


Fig. 5

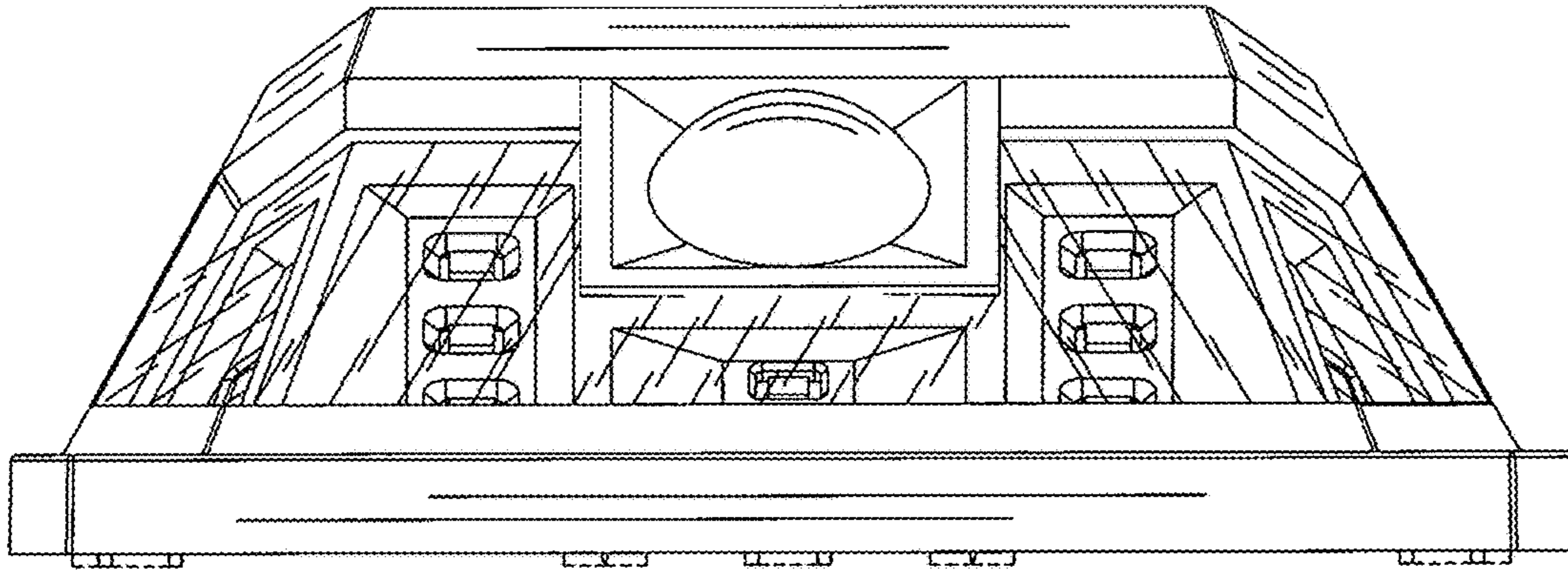


Fig. 6

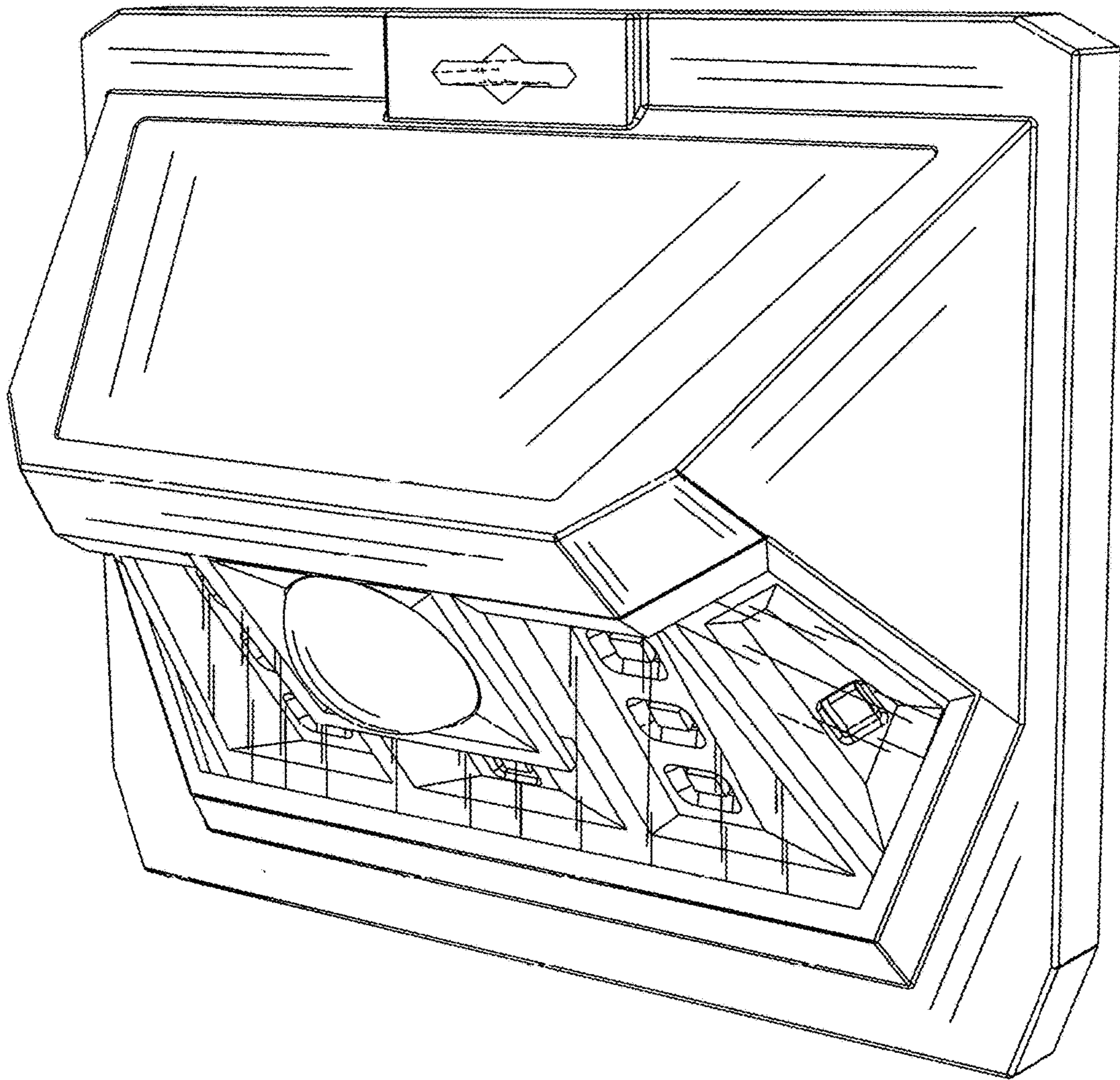


Fig. 7

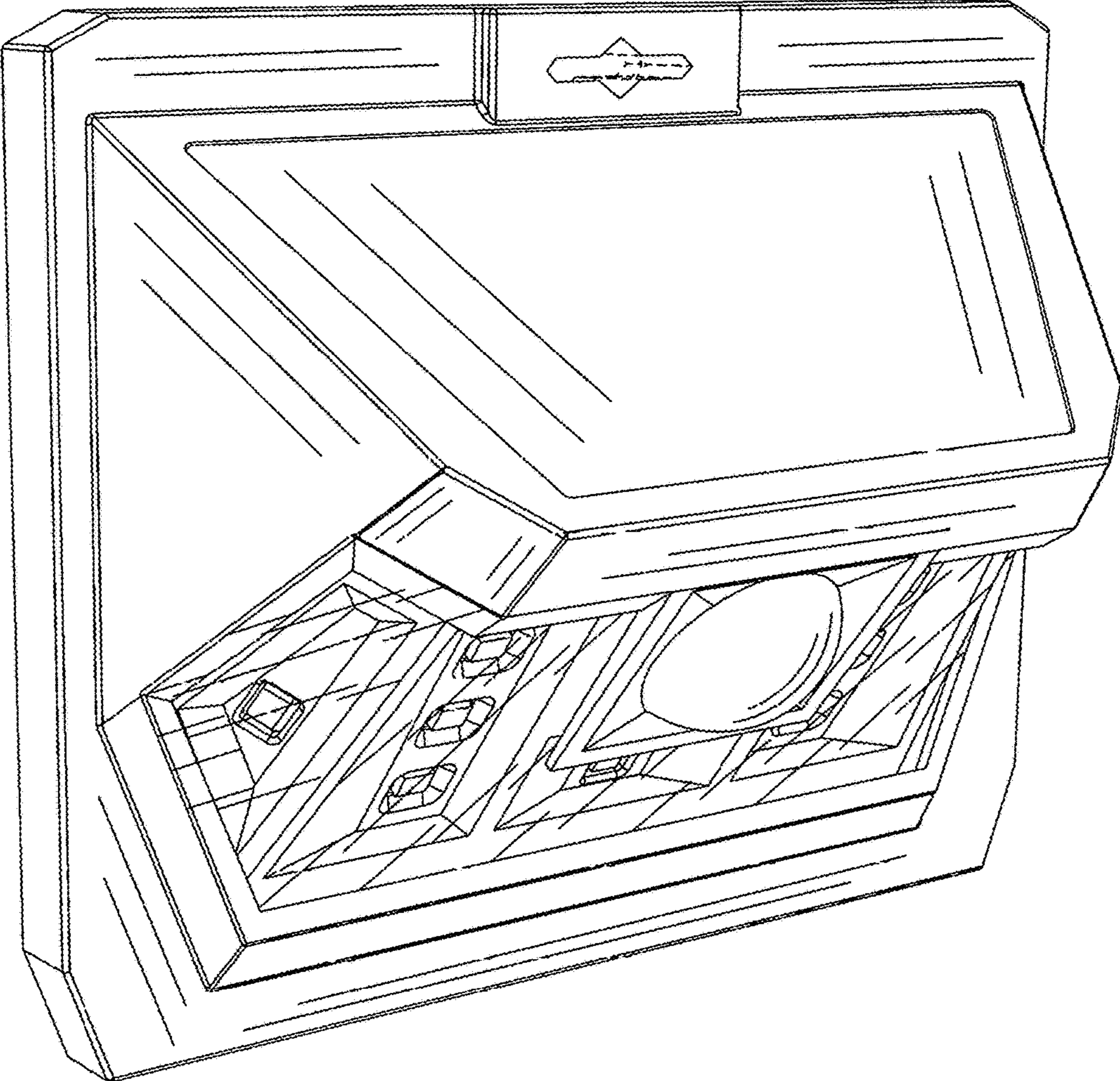


Fig. 8

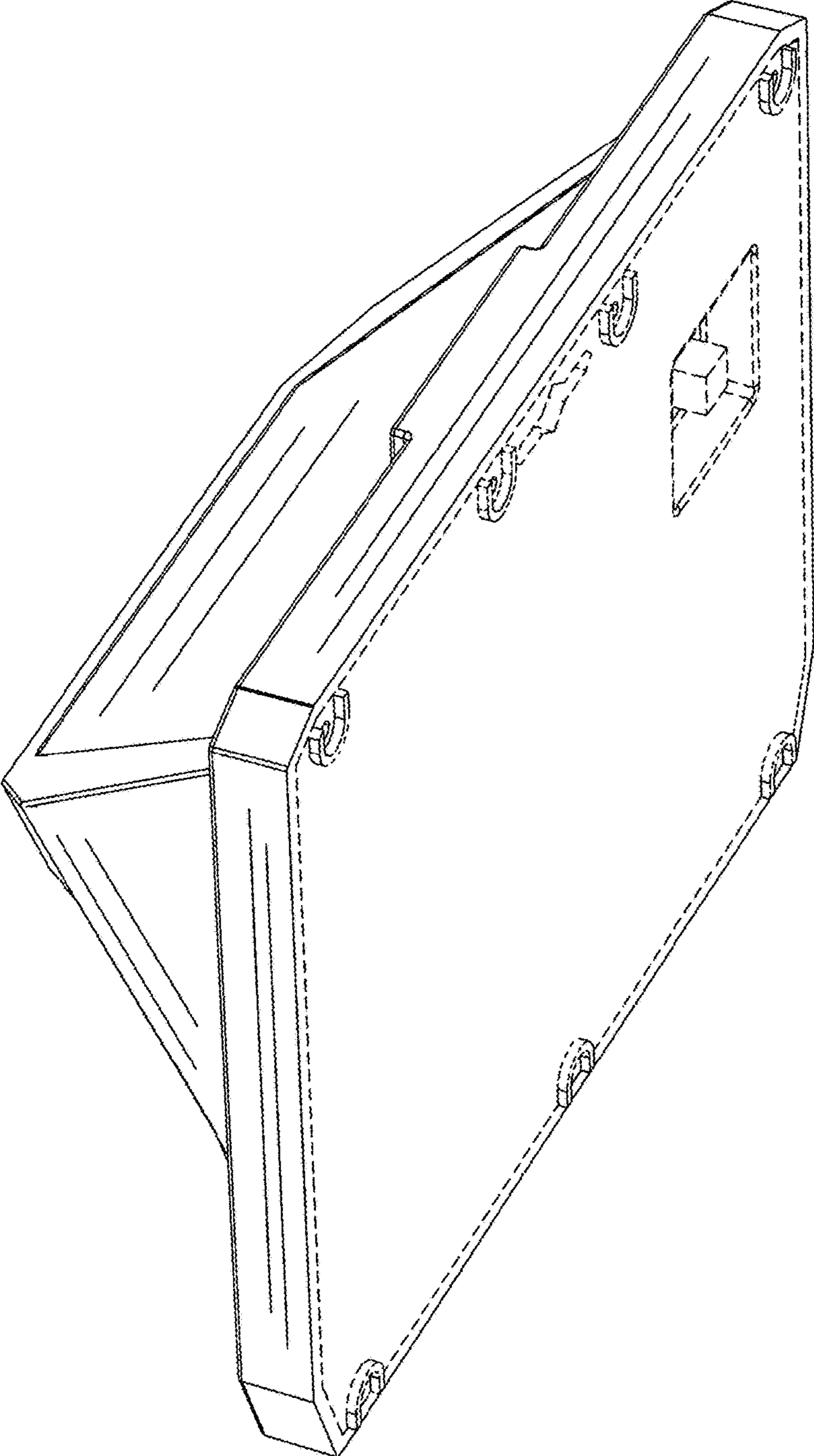


Fig. 9

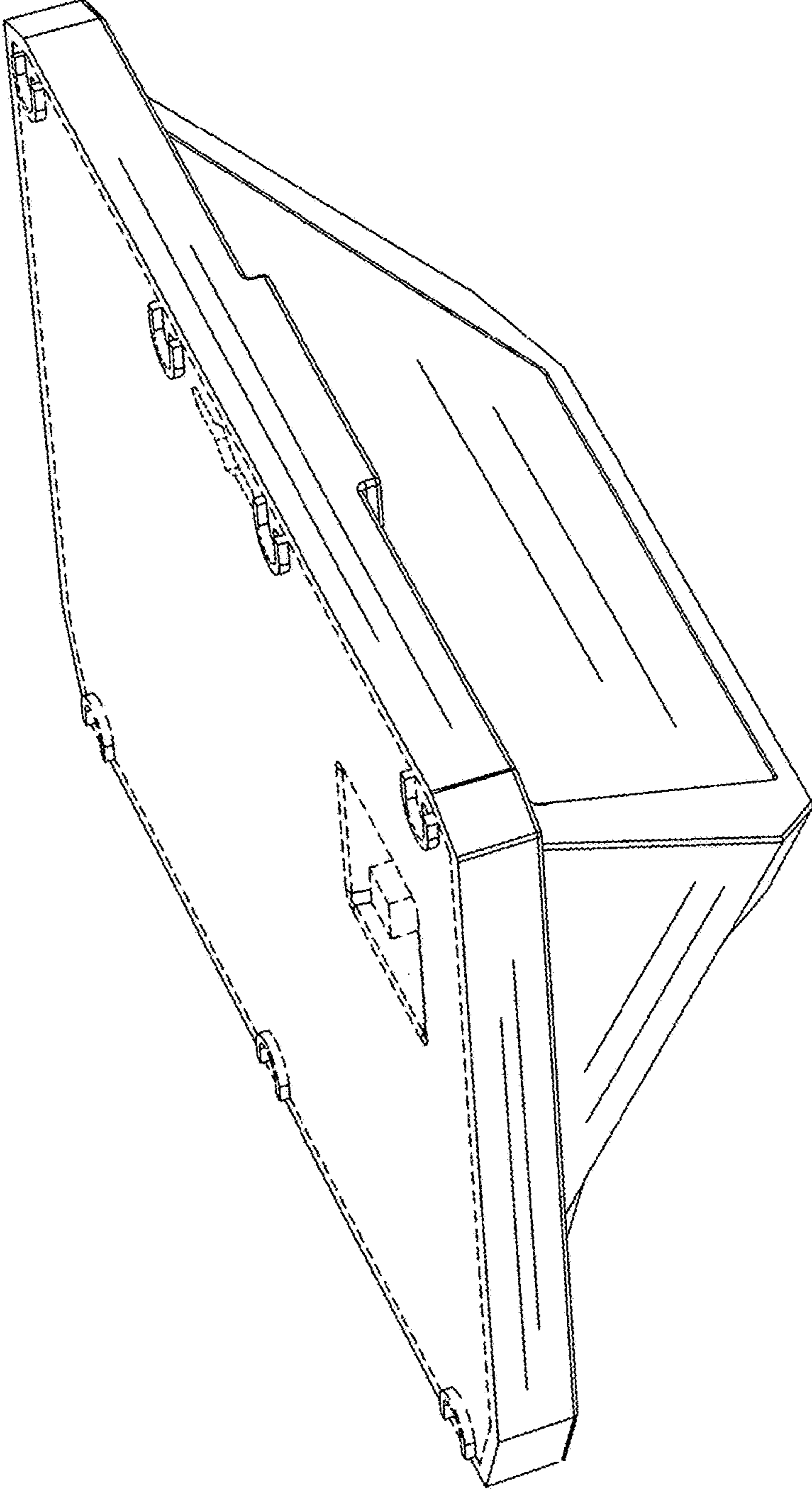


Fig. 10