



US00D841217S

(12) **United States Design Patent** (10) **Patent No.:** **US D841,217 S**
Rybol et al. (45) **Date of Patent:** **** Feb. 19, 2019**

(54) **LUMINAIRE** D710,047 S * 7/2014 Hildebrandt D26/74
D777,967 S * 1/2017 Redfern D26/74
(71) Applicant: **ZUMTOBEL LIGHTING GMBH,** D786,472 S * 5/2017 Redfern D26/74
Lemgo (DE) D786,473 S * 5/2017 Dean D26/74
(72) Inventors: **Alexander Rybol,** Stuttgart (DE); D790,102 S * 6/2017 Guzzini D26/74
Juergen Gaiser, Fellbach (DE) D808,058 S * 1/2018 Johnson D26/74
D809,177 S * 1/2018 Fujisawa D26/74
D810,345 S * 2/2018 Redfern D26/74

(73) Assignee: **ZUMTOBEL LIGHTING GMBH,**
Lemgo (DE)

* cited by examiner

(**) Term: **15 Years**

Primary Examiner — Cathron C Brooks

(21) Appl. No.: **29/614,383**

(74) Attorney, Agent, or Firm — Scully Scott Murphy and
Presser; Frank Digiglio

(22) Filed: **Aug. 18, 2017**

(30) **Foreign Application Priority Data**

(57) **CLAIM**

Feb. 21, 2017 (EM) 003 760 248

The ornamental design for a luminaire, as shown and
described.

(51) **LOC (11) Cl.** **26-05**

(52) **U.S. Cl.**
USPC **D26/74**

(58) **Field of Classification Search**
USPC D26/72, 74, 79, 85, 88, 89
CPC F21S 8/00; F21S 8/02; F21S 8/026; F21V
21/04; F21V 21/042; F21V 21/044; F21V
21/047; F21V 29/00; F21V 29/74; F21V
29/75; F21V 29/76
See application file for complete search history.

DESCRIPTION

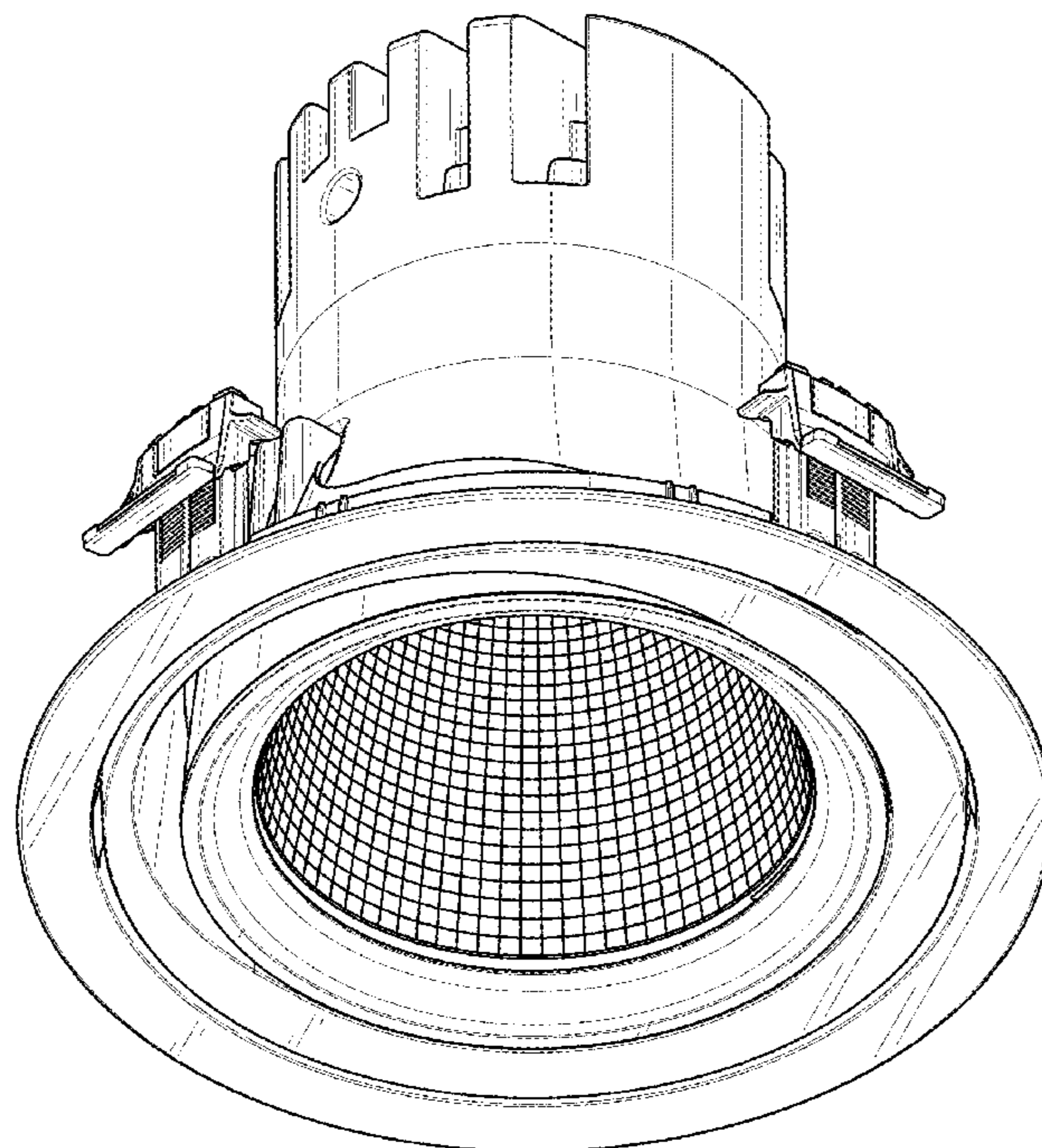
FIG. 1 is a bottom perspective view of a luminaire showing
our new design;
FIG. 2 is a top perspective view thereof;
FIG. 3 is a bottom plan view thereof;
FIG. 4 is a top plan view thereof;
FIG. 5 is a front elevation view thereof;
FIG. 6 is a side elevation view thereof; and,
FIG. 7 is another side elevation view thereof.

(56) **References Cited**

U.S. PATENT DOCUMENTS

D568,522 S * 5/2008 Engel D26/74
D659,879 S * 5/2012 Rashidi D26/74

1 Claim, 7 Drawing Sheets



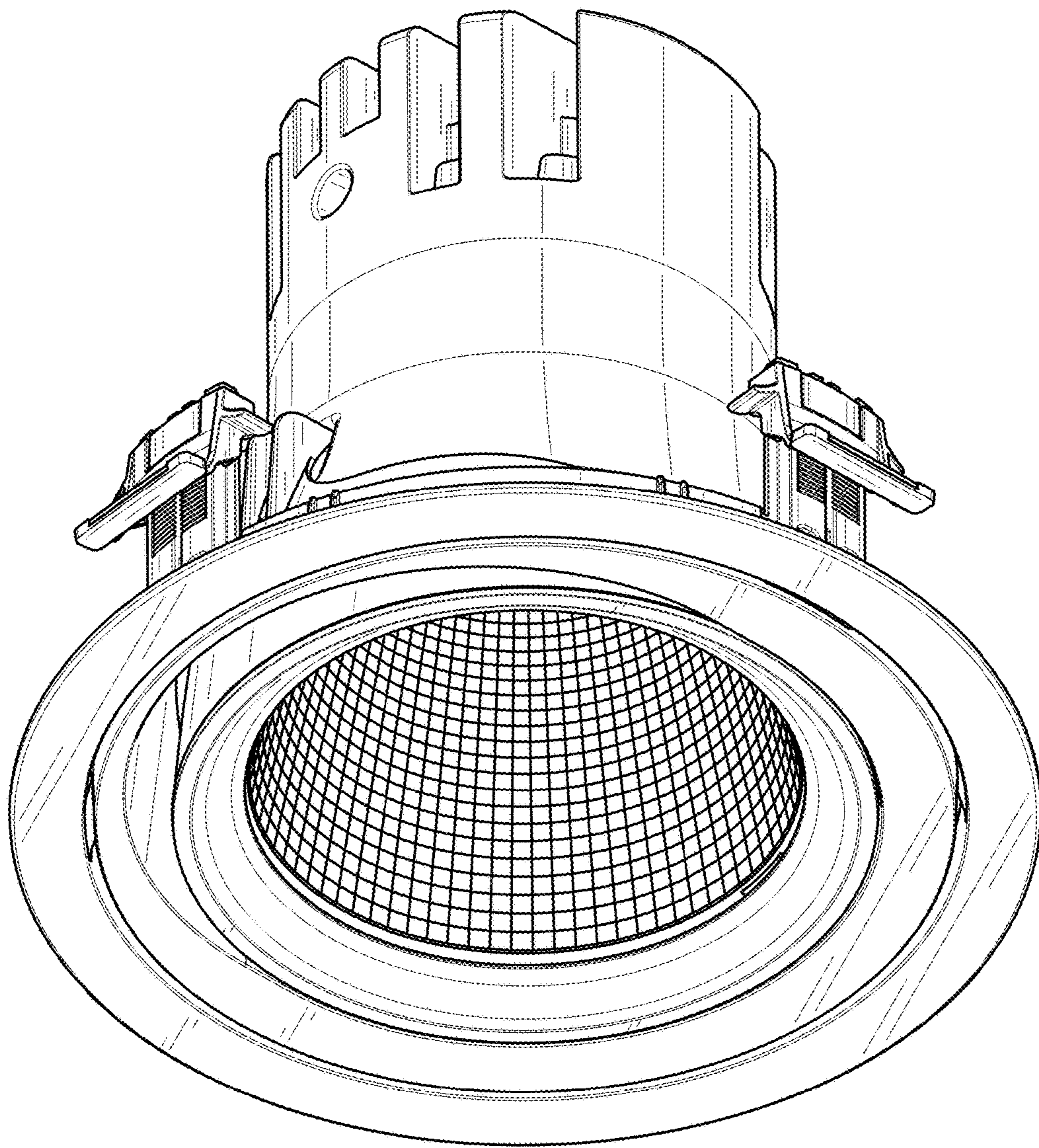


FIG. 1

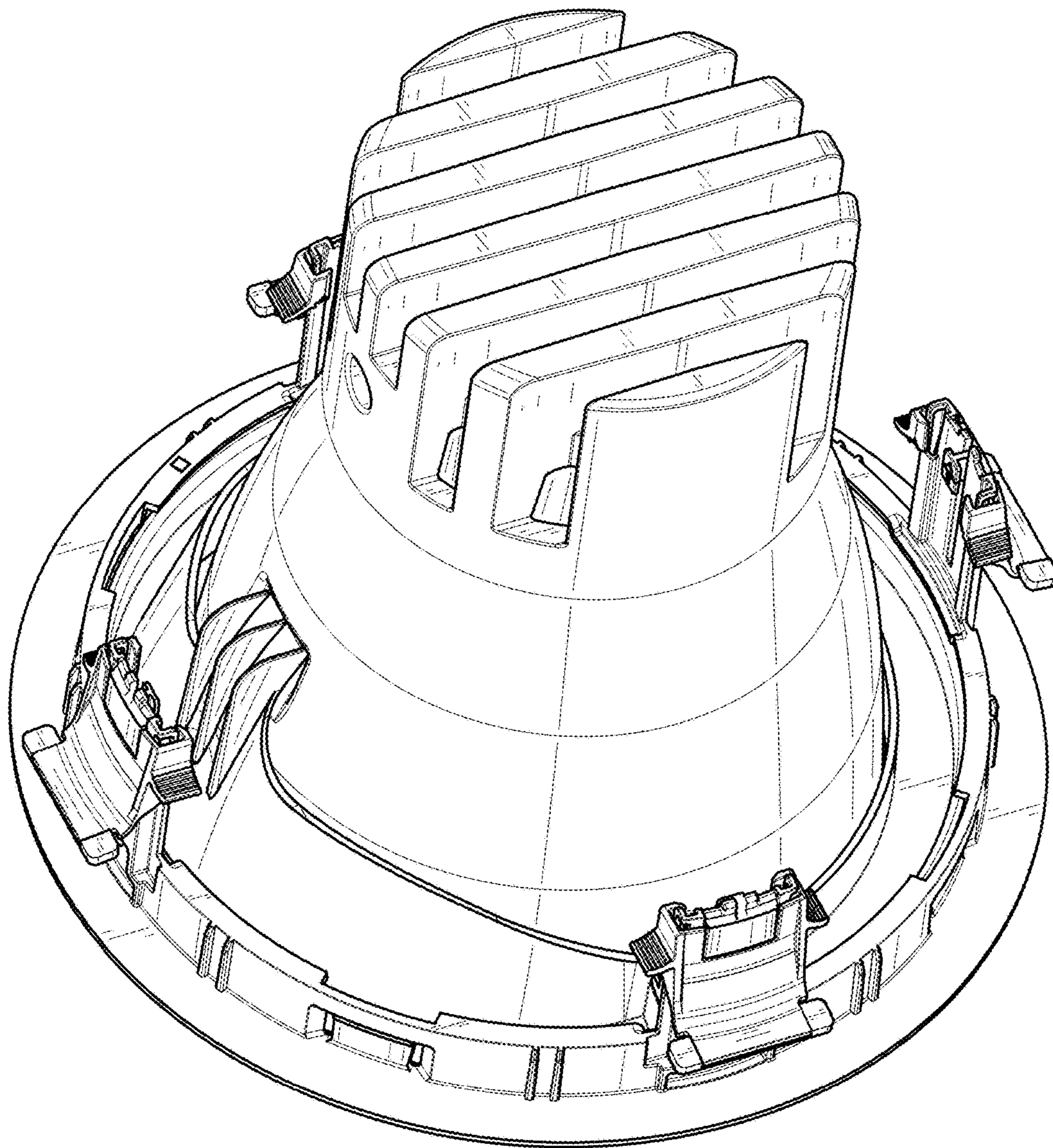


FIG. 2

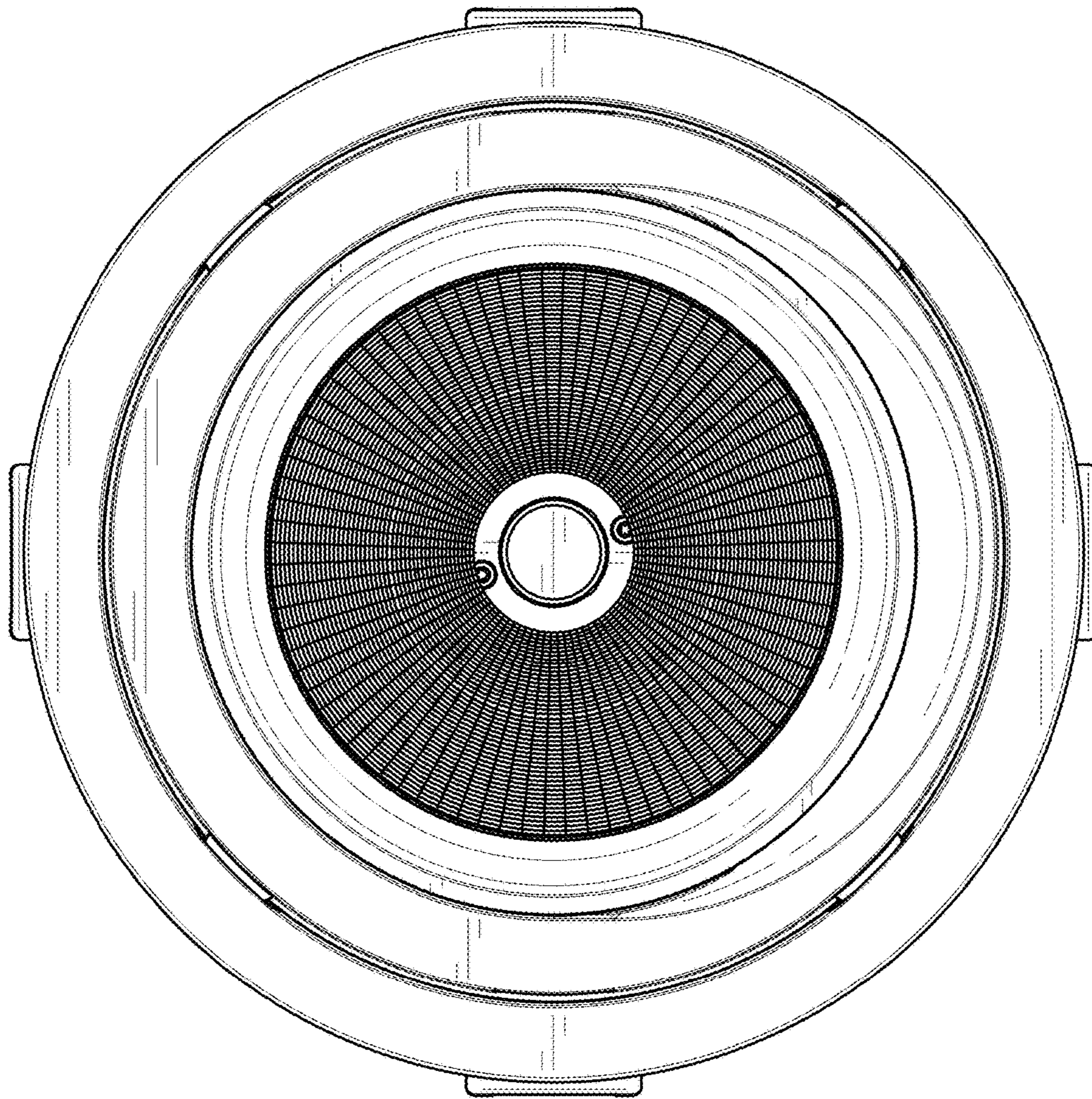


FIG. 3

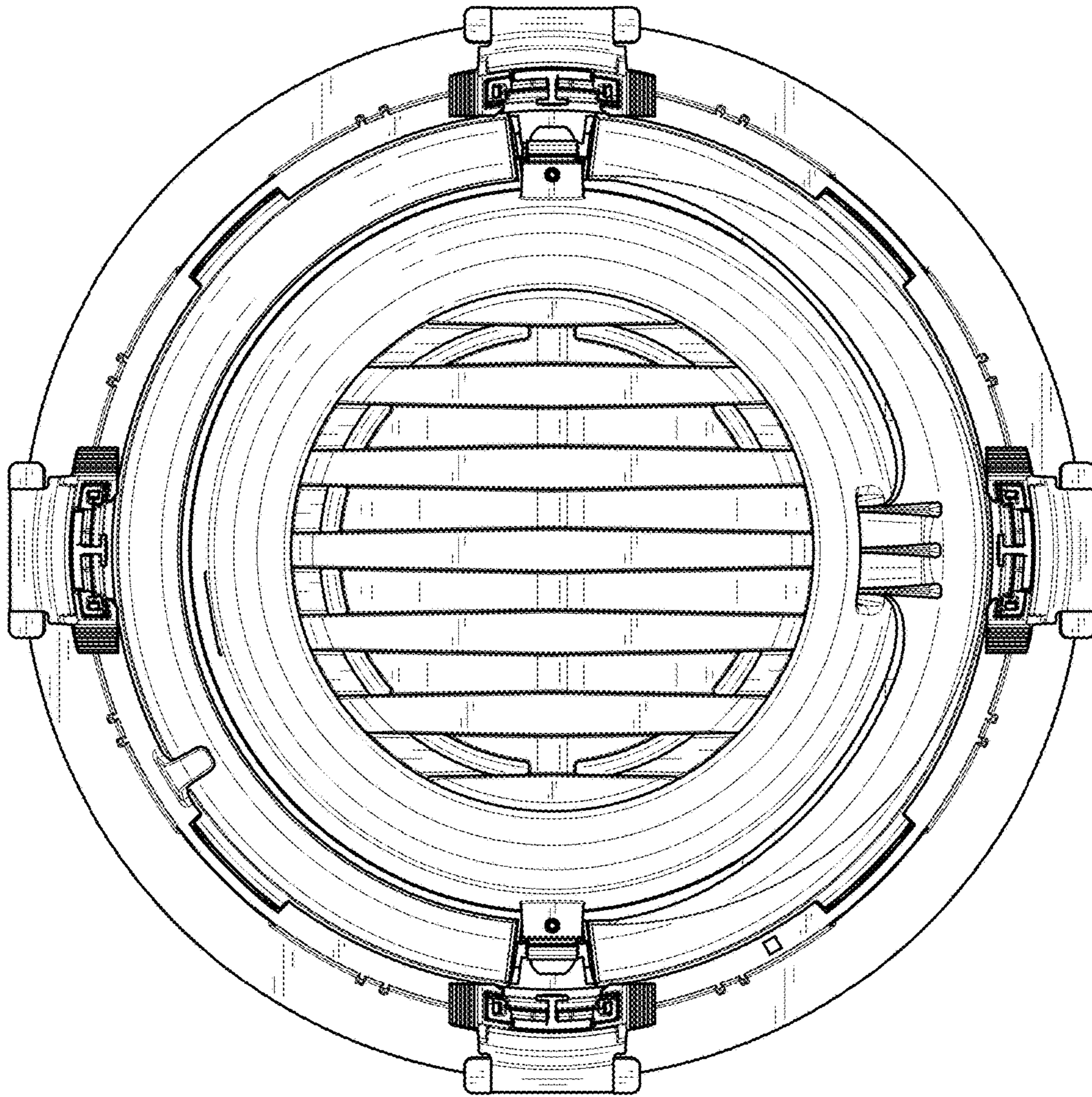


FIG. 4

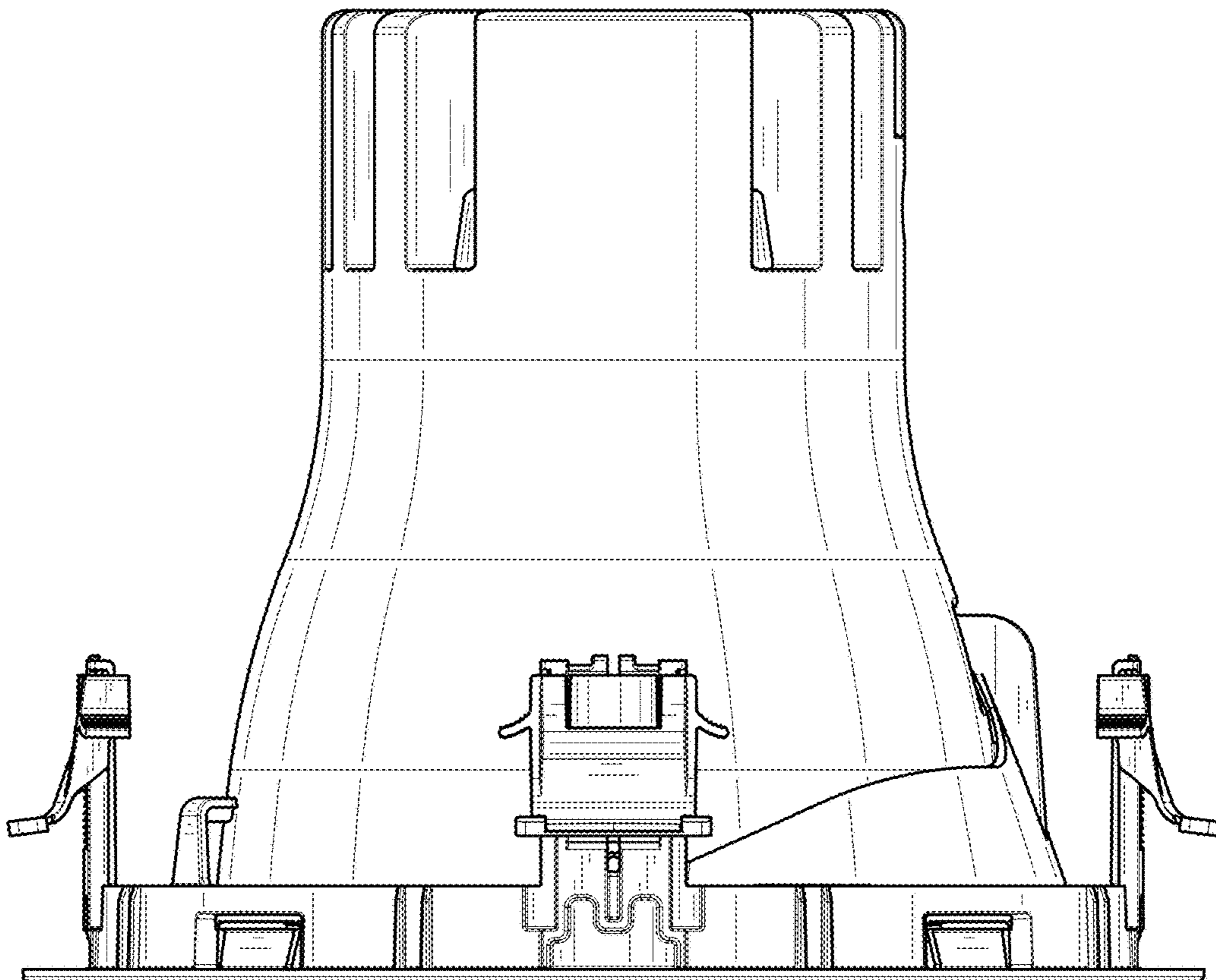


FIG. 5

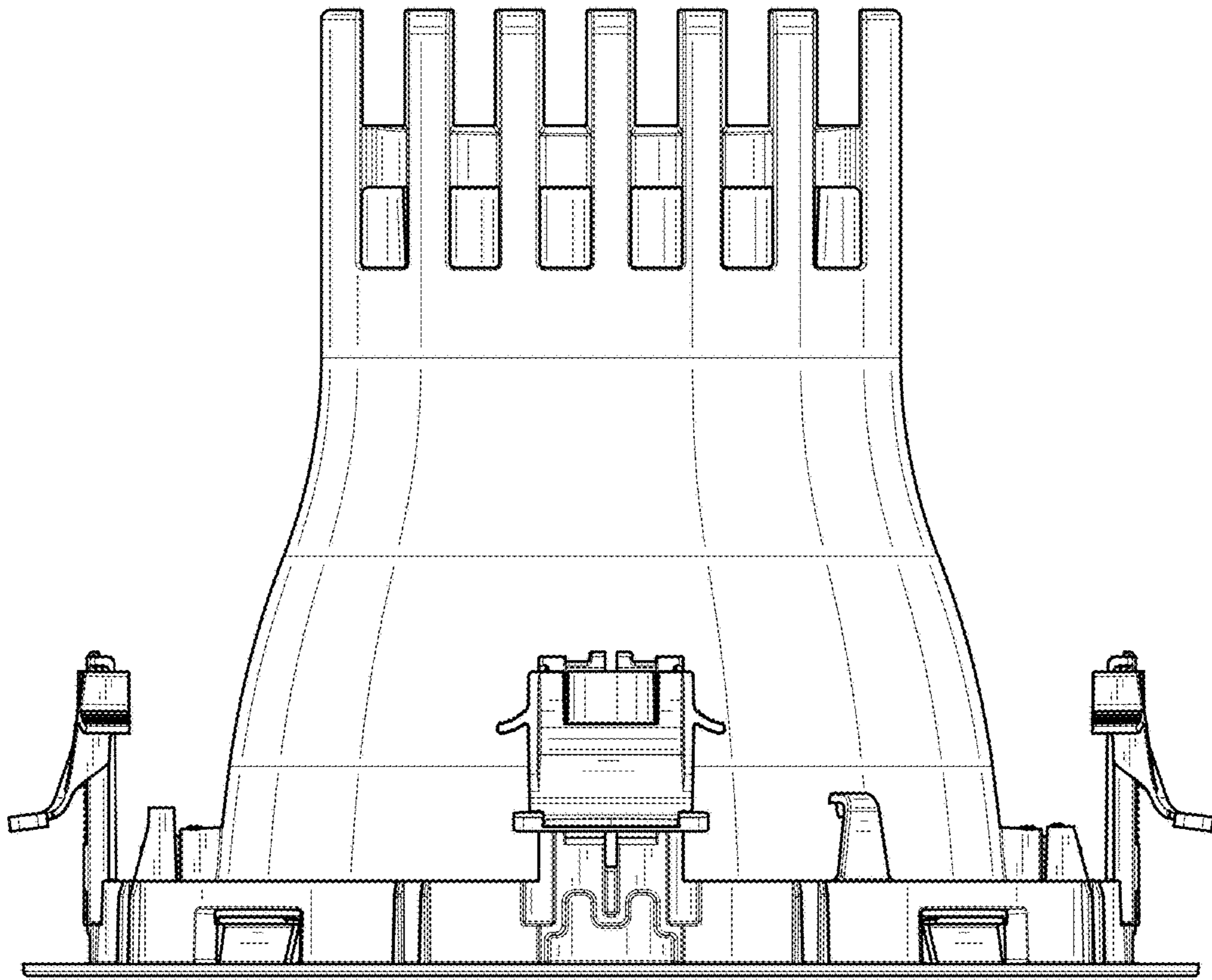


FIG. 6

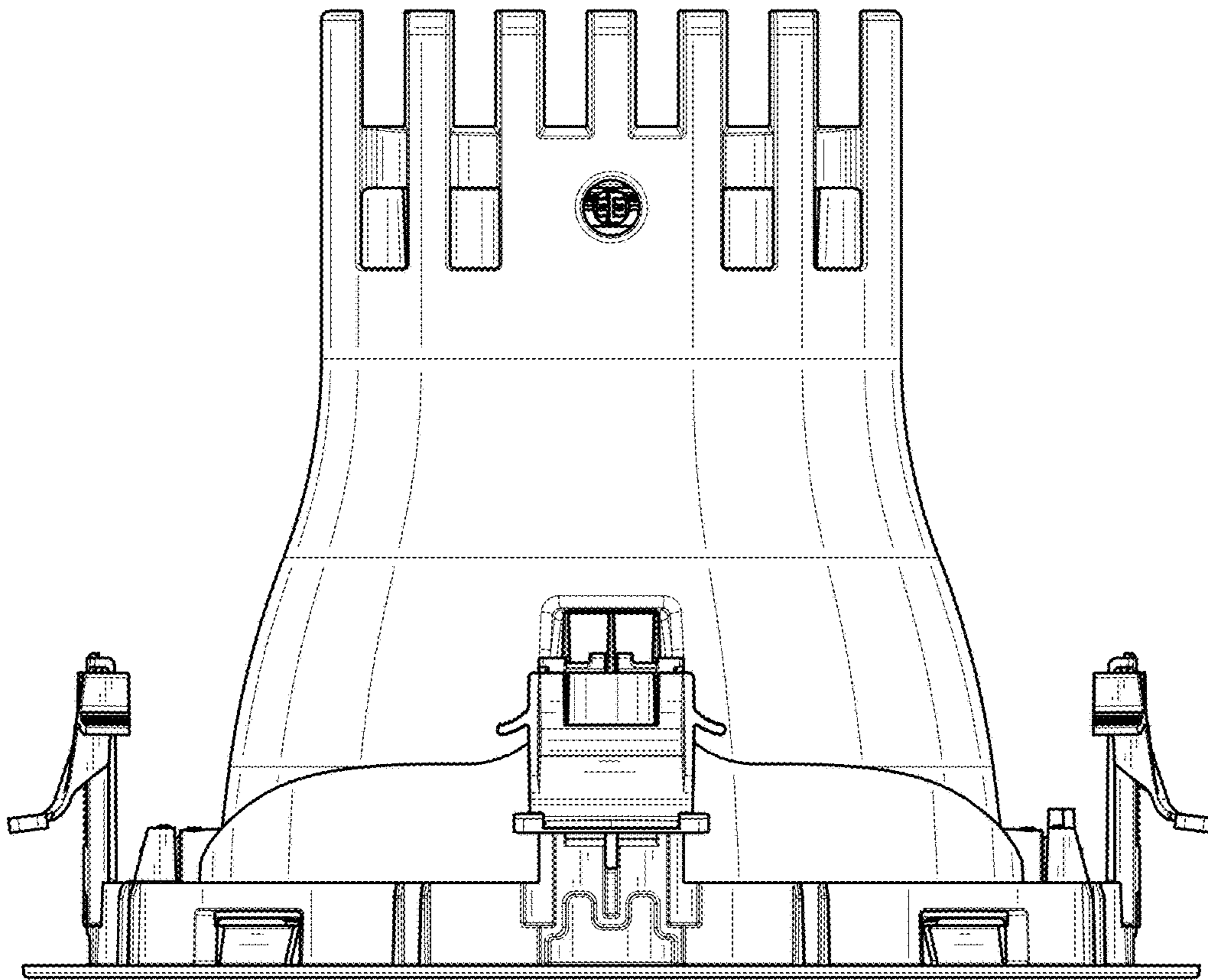


FIG. 7