



US00D841215S

(12) **United States Design Patent** (10) **Patent No.:** **US D841,215 S**
Thote (45) **Date of Patent:** **** Feb. 19, 2019**

(54) **LIGHT FIXTURE**

- (71) Applicant: **Prafulla Thote**, Pune (IN)
- (72) Inventor: **Prafulla Thote**, Pune (IN)
- (73) Assignee: **Prafulla Thote**, Pune (IN)
- (**) Term: **15 Years**
- (21) Appl. No.: **29/590,366**
- (22) Filed: **Jan. 10, 2017**
- (51) **LOC (11) Cl.** **26-05**
- (52) **U.S. Cl.**
USPC **D26/71; D26/92**
- (58) **Field of Classification Search**
USPC D10/111-115; D26/67-85, 92; D29/103
CPC .. F21S 8/033; F21S 8/036; F21S 8/043; F21S
8/081; F21S 8/085; F21S 8/086; F21S
8/088; F21V 29/74; F21V 29/75; F21V
29/83; F21V 29/507
See application file for complete search history.

(56) **References Cited**

U.S. PATENT DOCUMENTS

7,420,811	B2 *	9/2008	Chan	F21V 29/004 361/707
D599,939	S *	9/2009	Zheng	D26/71
D648,884	S *	11/2011	Tortel	D26/71
D676,178	S *	2/2013	Akinrele	D26/71
D693,513	S *	11/2013	Nibaldi	D26/71
D694,449	S *	11/2013	Walker	D26/63
D708,379	S *	7/2014	Ruffalo	D26/71
D708,380	S *	7/2014	Ruffalo	D26/71
D760,935	S *	7/2016	Jurdana	D26/71
9,435,519	B2 *	9/2016	Kinnune	F21V 29/74
D818,173	S *	5/2018	Wan	D26/71
D827,177	S *	8/2018	Thote	D26/71
D827,178	S *	8/2018	Thote	D26/71
2014/0169003	A1 *	6/2014	Wang	F21V 29/763 362/373

OTHER PUBLICATIONS

Laputa 30W 2400-3000lm Cool White Led Street Light (available online Sep. 19, 2016) Retrieved from the internet Mar. 9, 2018, retrieved from URL: <https://www.amazon.com/LAPUTA-2400-3000lm-Waterproof-Outdoor-Lighting/dp/B01M0HRB29>.*

Samudra Light (available online) Retrieved from the internet Mar. 9, 2018, retrieved from google image at URL: <data:image/jpeg;base64,/9j/4AAQSkZJRgABAQAAQABAAD/2wCEAAkGBxMSERUSERAWFRUVFygXFhgVFRUSFRMYFxmZGxgXFhYYHSggGBoIGxUVITEhJSktLi4uGB8zODMuNygtLisBCgoKDg0OGxAPFy0dHx8vListKy0tLS0tKy0tLS0tLSstLS0rKzAtLS0tLS0tLS0tK>.*

* cited by examiner

Primary Examiner — Kevin K Rudzinski
Assistant Examiner — Richard Kearney
 (74) *Attorney, Agent, or Firm* — Shumaker, Loop & Kendrick, LLP

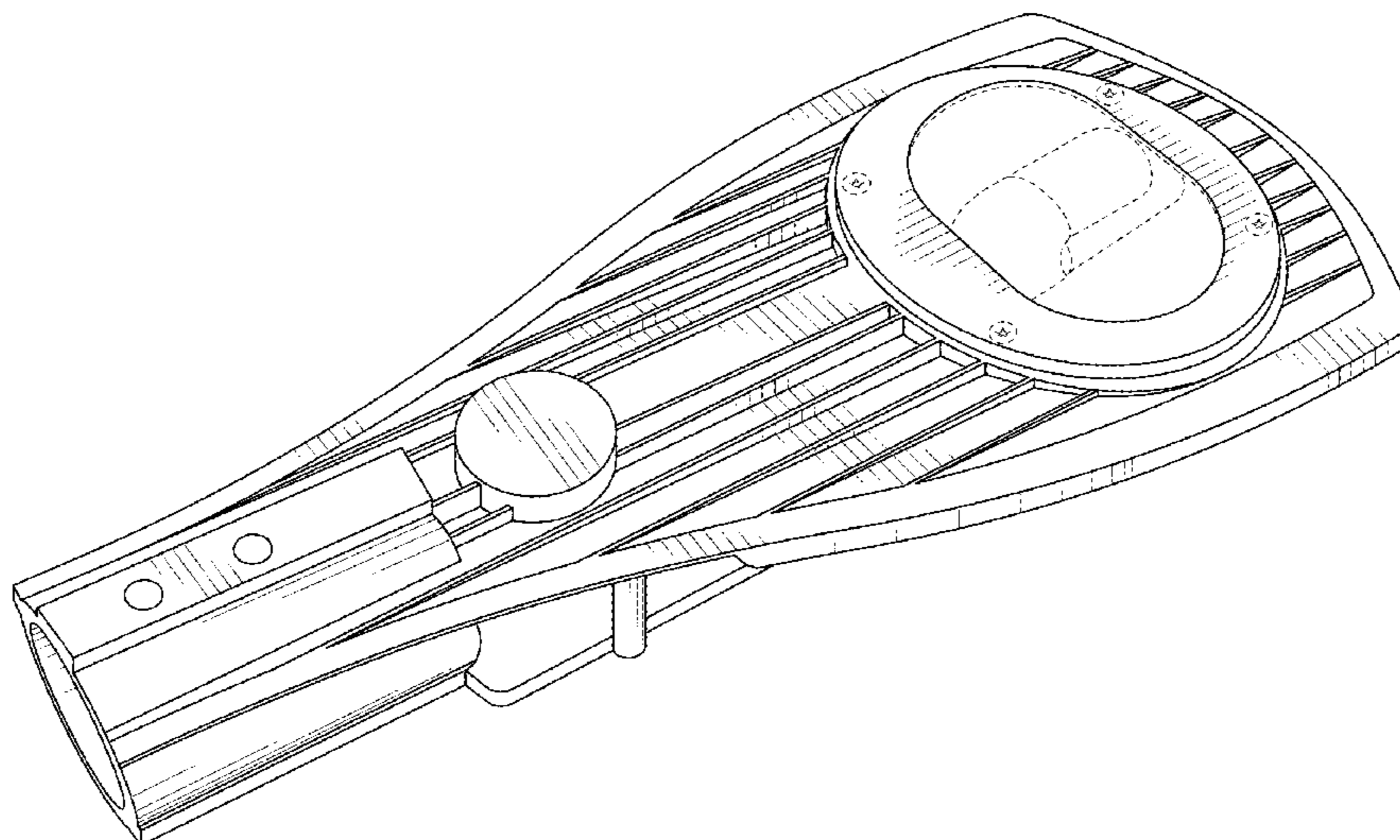
(57) **CLAIM**

The ornamental design for a light fixture, as shown and described.

DESCRIPTION

FIG. 1 is a perspective view of a light fixture showing our new design;
 FIG. 2 is a front view thereof;
 FIG. 3 is a back view thereof;
 FIG. 4 is a left side view thereof;
 FIG. 5 is a right side view thereof;
 FIG. 6 is a top view thereof; and,
 FIG. 7 is a bottom view thereof.
 The broken lines in the drawings illustrate portions of the light fixture that form no part of the claimed design.

1 Claim, 5 Drawing Sheets



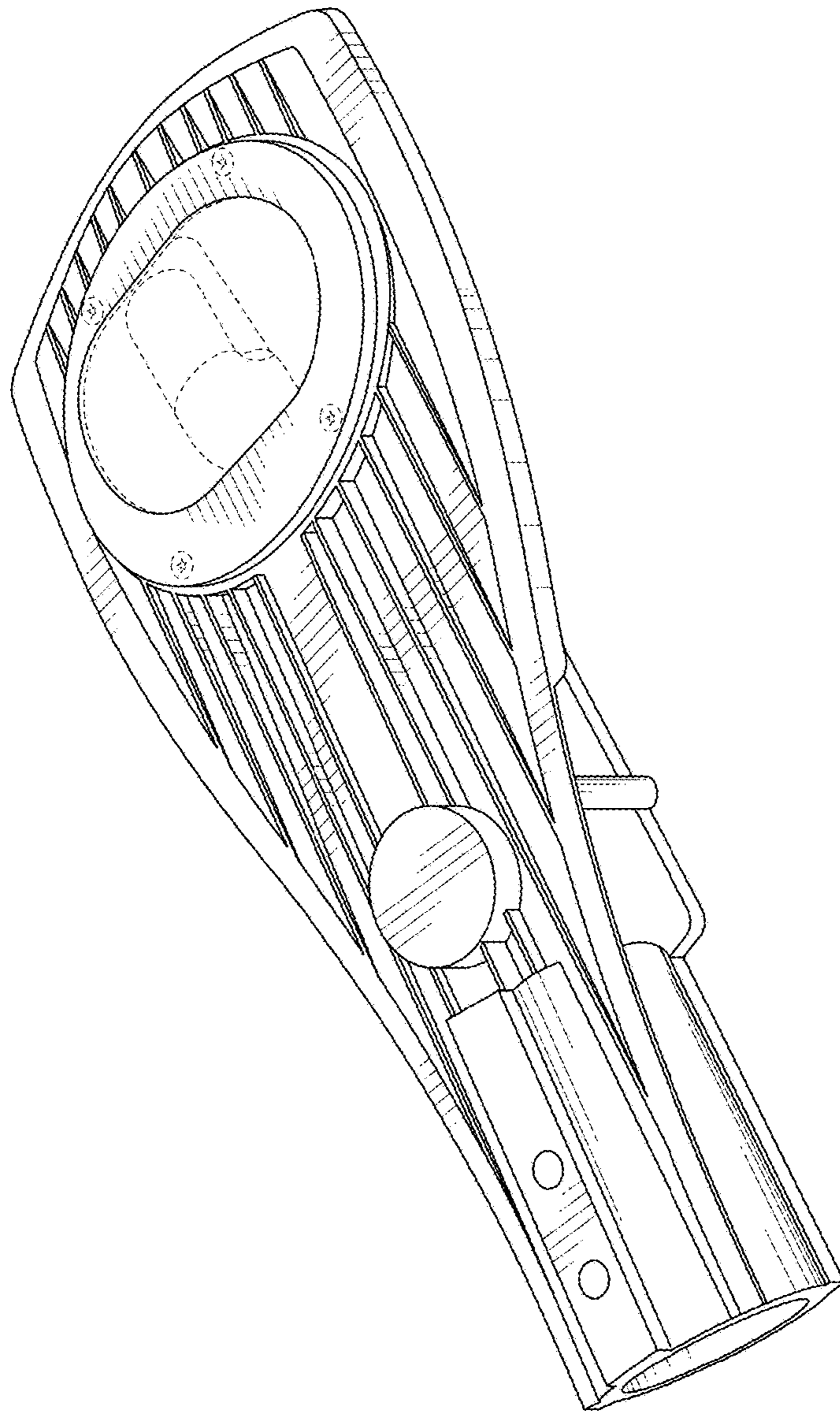


FIG. 1

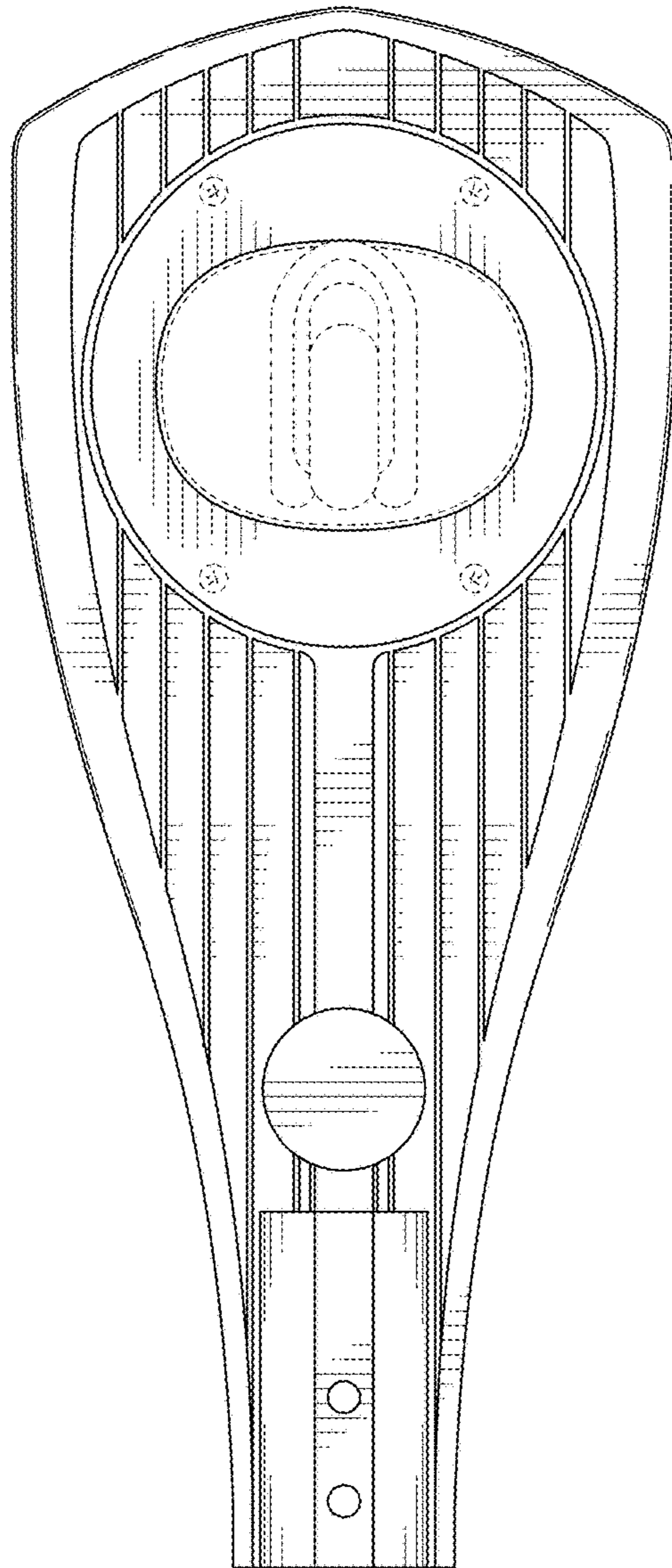


FIG. 2

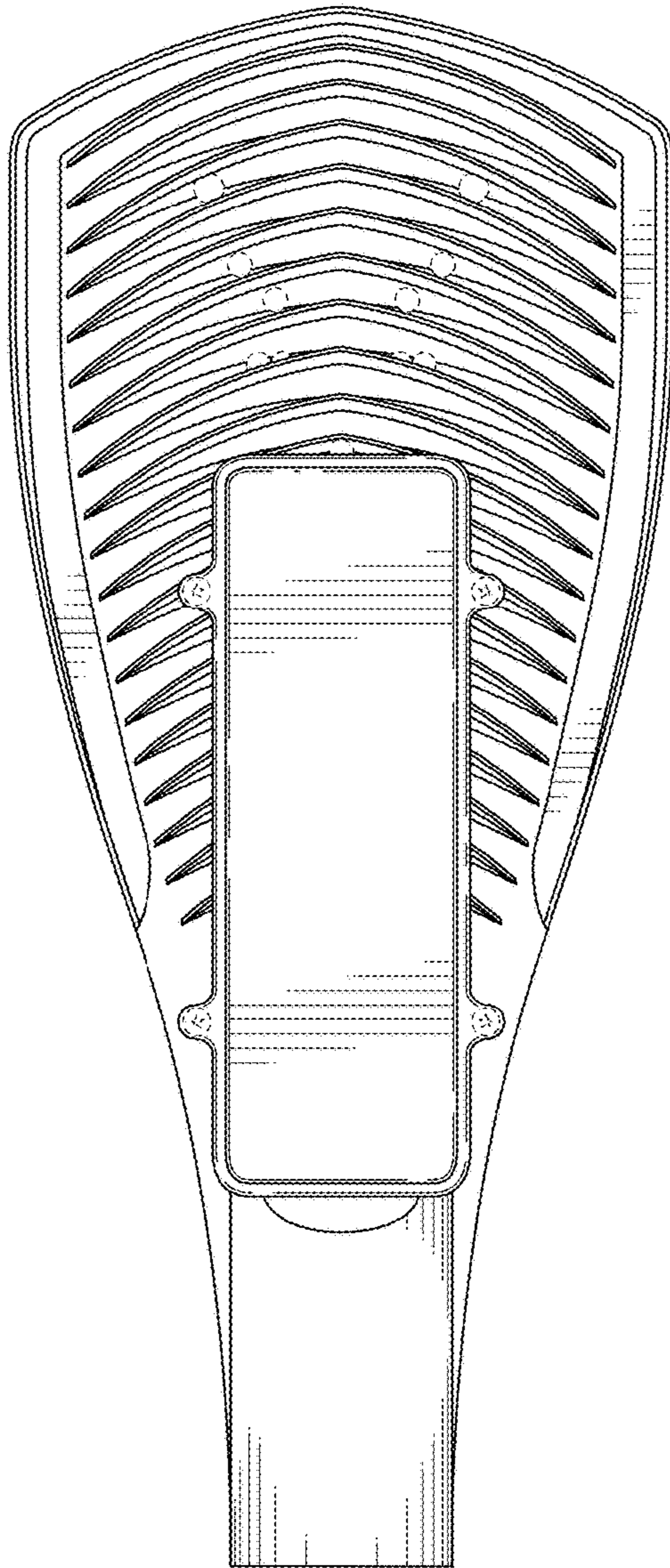


FIG. 3

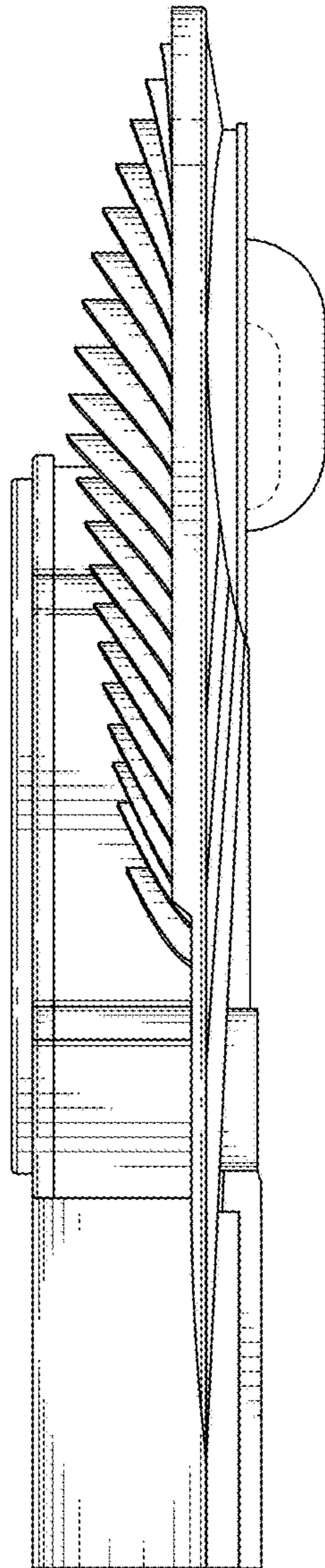


FIG. 4

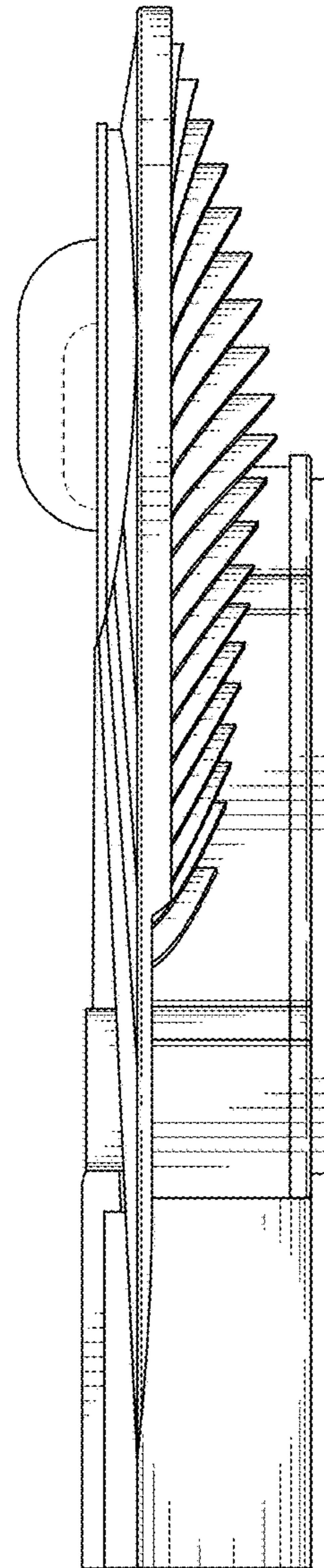


FIG. 5

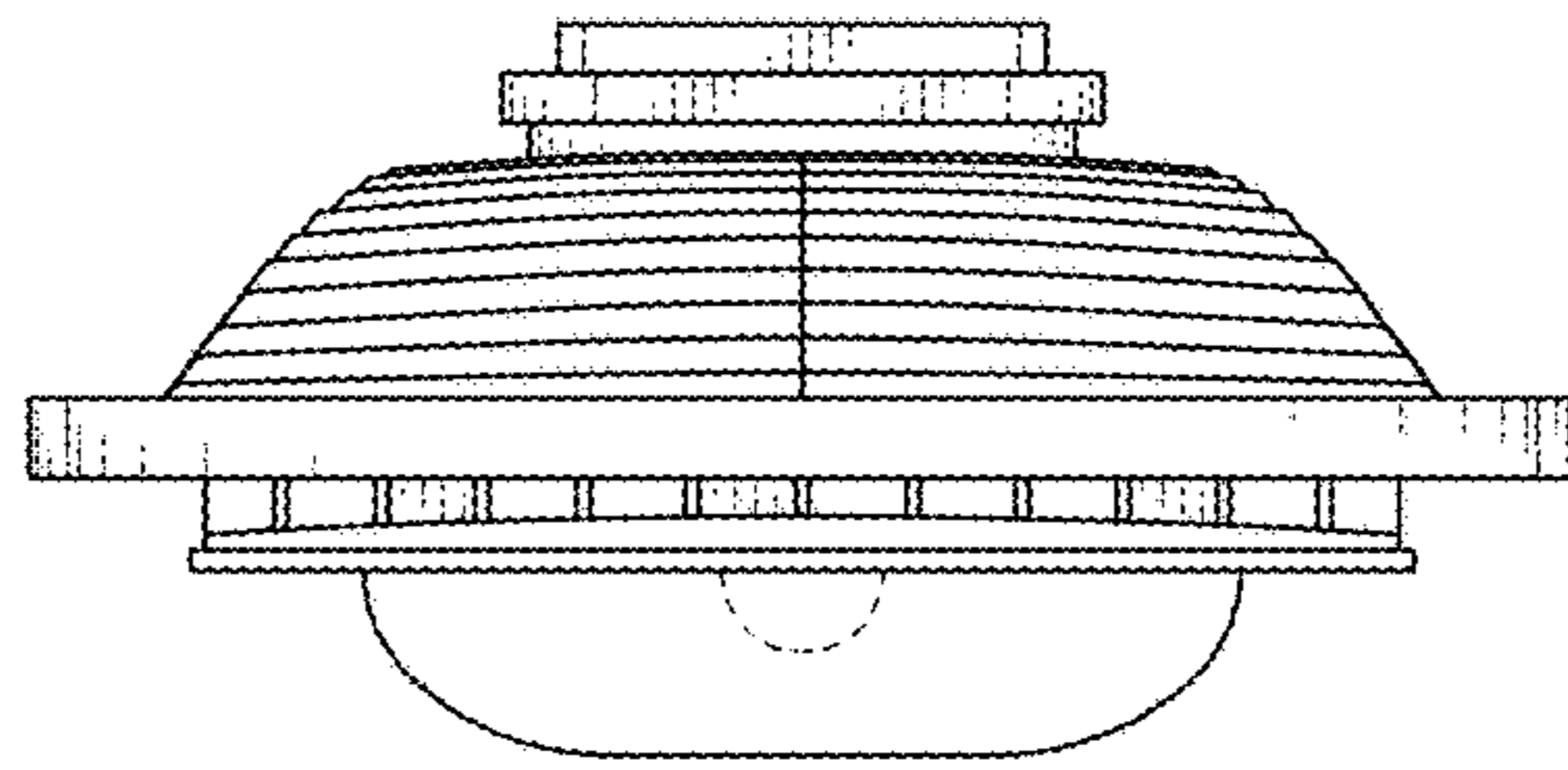


FIG. 6

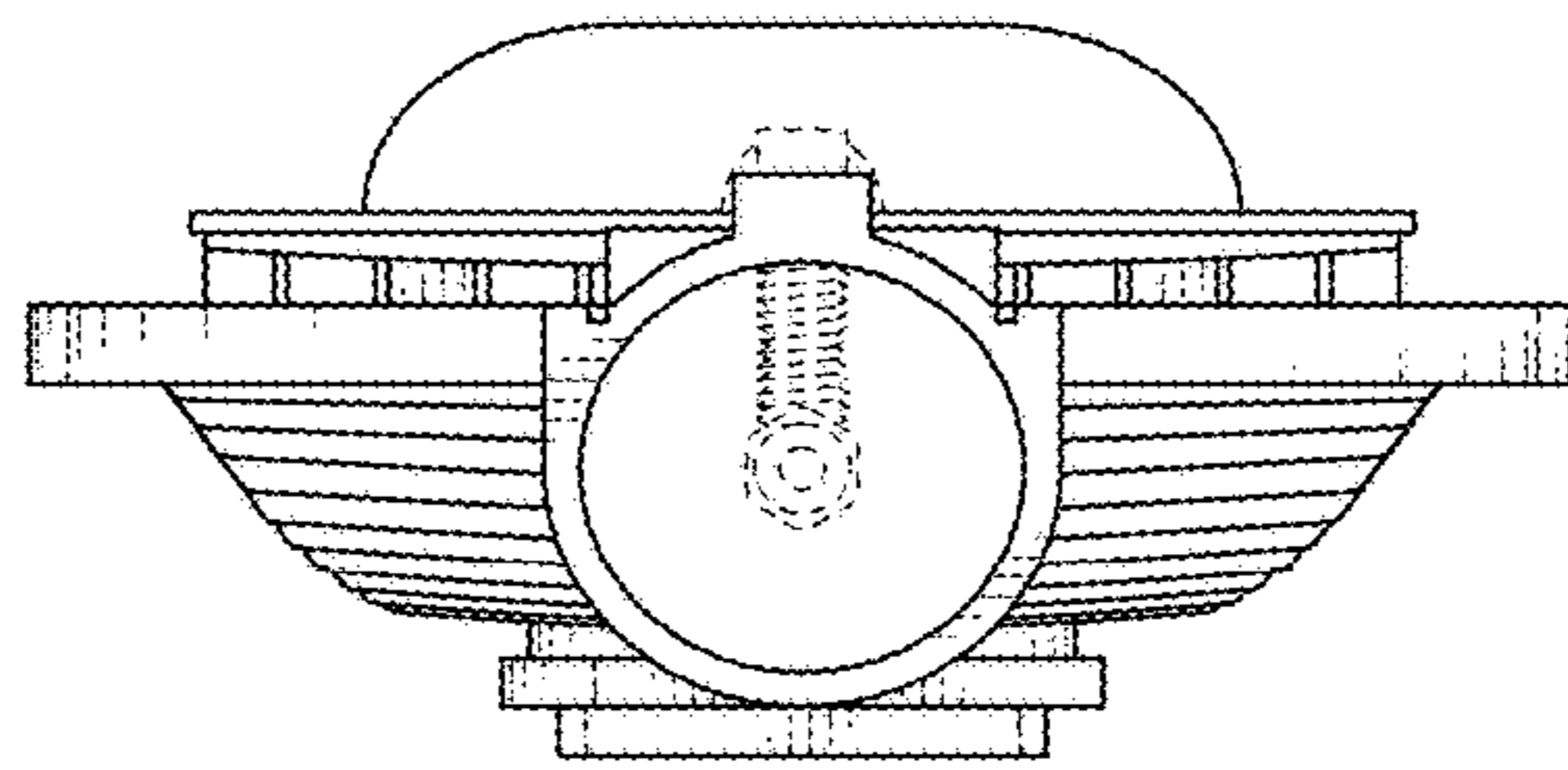


FIG. 7