



US00D841214S

(12) **United States Design Patent**
Ito et al.

(10) **Patent No.:** **US D841,214 S**

(45) **Date of Patent:** **** Feb. 19, 2019**

(54) **STREET LIGHT**

(71) Applicant: **NTN CORPORATION**, Osaka (JP)

(72) Inventors: **Takeru Ito**, Kuwana (JP); **Takeshi Maeda**, Kuwana (JP)

(73) Assignee: **NTN CORPORATION**, Osaka (JP)

(**) Term: **15 Years**

(21) Appl. No.: **29/593,942**

(22) Filed: **Feb. 14, 2017**

(30) **Foreign Application Priority Data**

Aug. 19, 2016 (JP) 2016-017681

(51) **LOC (11) Cl.** **26-05**

(52) **U.S. Cl.**
USPC **D26/70**

(58) **Field of Classification Search**

USPC D10/111, 113.1, 113.2, 114.2, 114.6;
D25/126, 127, 129; D26/60, 61, 63,
D26/65-71, 82, 92

CPC F21S 9/03; F21S 9/035; F21S 9/04; F21S
9/043; F21S 13/10; F21S 13/12; F21S
8/12; F21S 8/032; F21S 8/08; F21S
8/083; F21S 8/085; F21S 8/086; F21S
8/088; F03D 9/46

See application file for complete search history.

(56) **References Cited**

U.S. PATENT DOCUMENTS

D220,581 S * 4/1971 Selden D25/127
D381,057 S * 7/1997 Strawcutter D21/814
D511,495 S * 11/2005 Okubo D13/115
7,321,173 B2 * 1/2008 Mann F03D 9/007
290/55
D595,885 S * 7/2009 Daidone D26/69
D598,599 S * 8/2009 Zhou D26/69
D610,732 S * 2/2010 Daidone D26/71

D622,886 S 8/2010 Zheng et al.
D622,887 S * 8/2010 Lewis D26/71
D627,499 S 11/2010 Hu et al.
D642,723 S * 8/2011 Zheng D26/69
7,988,413 B2 * 8/2011 Haar F03D 3/06
290/55
8,288,884 B1 * 10/2012 Malcolm F03D 9/007
290/55
D679,847 S * 4/2013 Arnold D26/70
D723,205 S * 2/2015 Prommel D26/70

(Continued)

FOREIGN PATENT DOCUMENTS

JP D1589492 10/2017
TW D136629 S1 8/2010
TW D139139 S1 2/2011

OTHER PUBLICATIONS

Silent Hybrid Street Light (available online Aug. 19, 2016) Retrieved from the internet Aug. 15, 2018 from URL: https://www.ntnglobal.com/en/news/new_products/news201600059.html.*

Primary Examiner — Kevin K Rudzinski

Assistant Examiner — Richard Kearney

(57) **CLAIM**

The ornamental design for a street light, as shown and described.

DESCRIPTION

FIG. 1 is a front elevational view of a street light showing our new design;

FIG. 2 is a rear elevational view thereof;

FIG. 3 is a left side elevational view thereof;

FIG. 4 is a right side elevational view thereof;

FIG. 5 is a top plan view thereof;

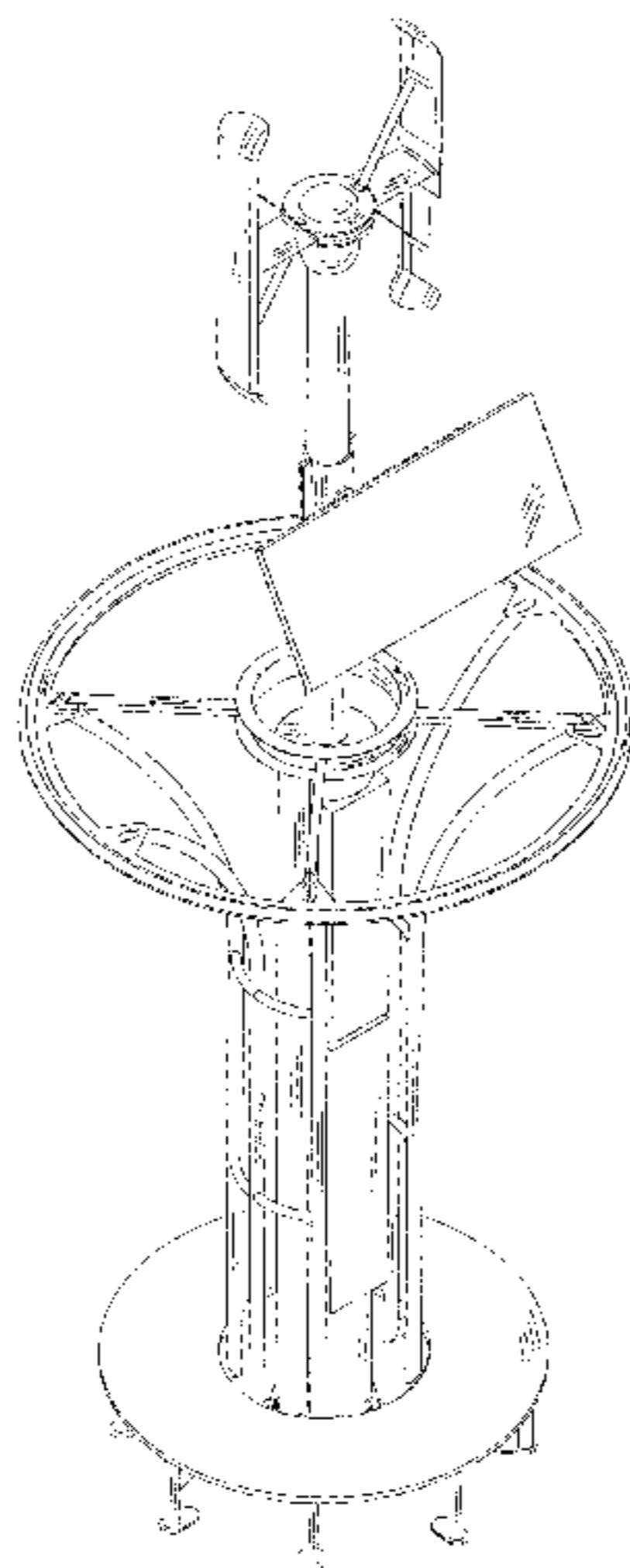
FIG. 6 is a bottom plan view thereof;

FIG. 7 is a front high perspective view thereof;

FIG. 8 is a rear high perspective view thereof; and,

FIG. 9 is a front low perspective view thereof.

1 Claim, 9 Drawing Sheets



(56)

References Cited

U.S. PATENT DOCUMENTS

D752,797 S	3/2016	Moeller	
D770,657 S *	11/2016	Fang	D26/63
2010/0090605 A1 *	4/2010	Nevins	F03D 9/007
			315/159
2011/0204644 A1 *	8/2011	Perregrini	F03D 9/10
			290/53

* cited by examiner

Fig. 1

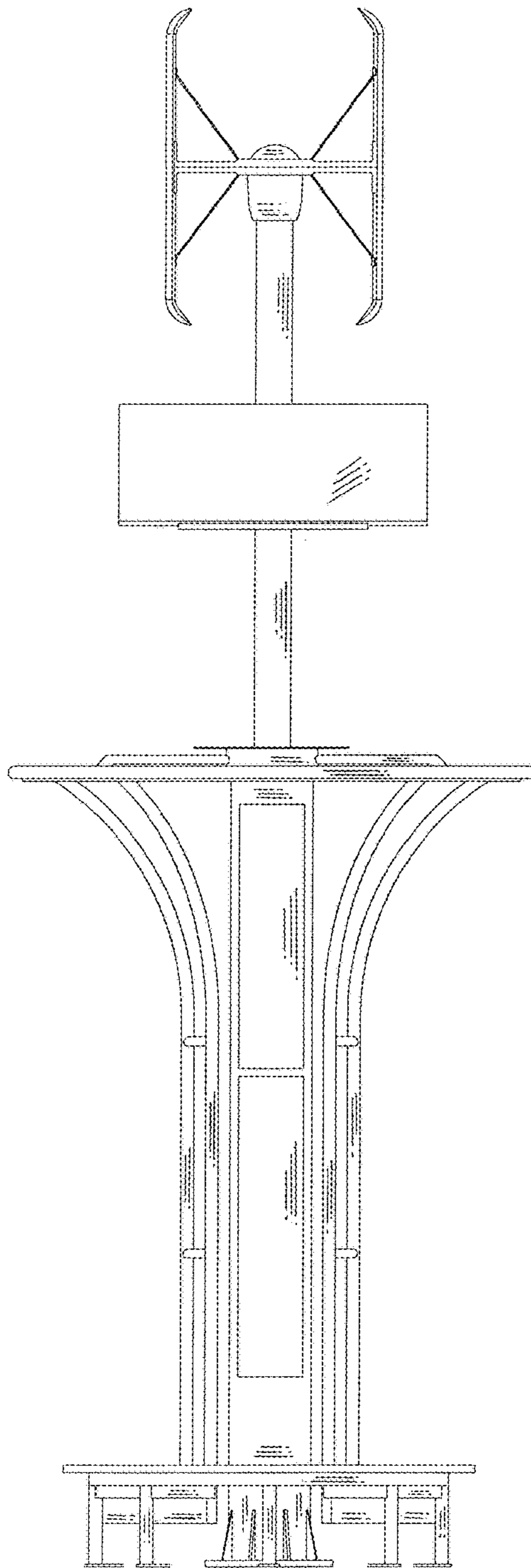


Fig. 2

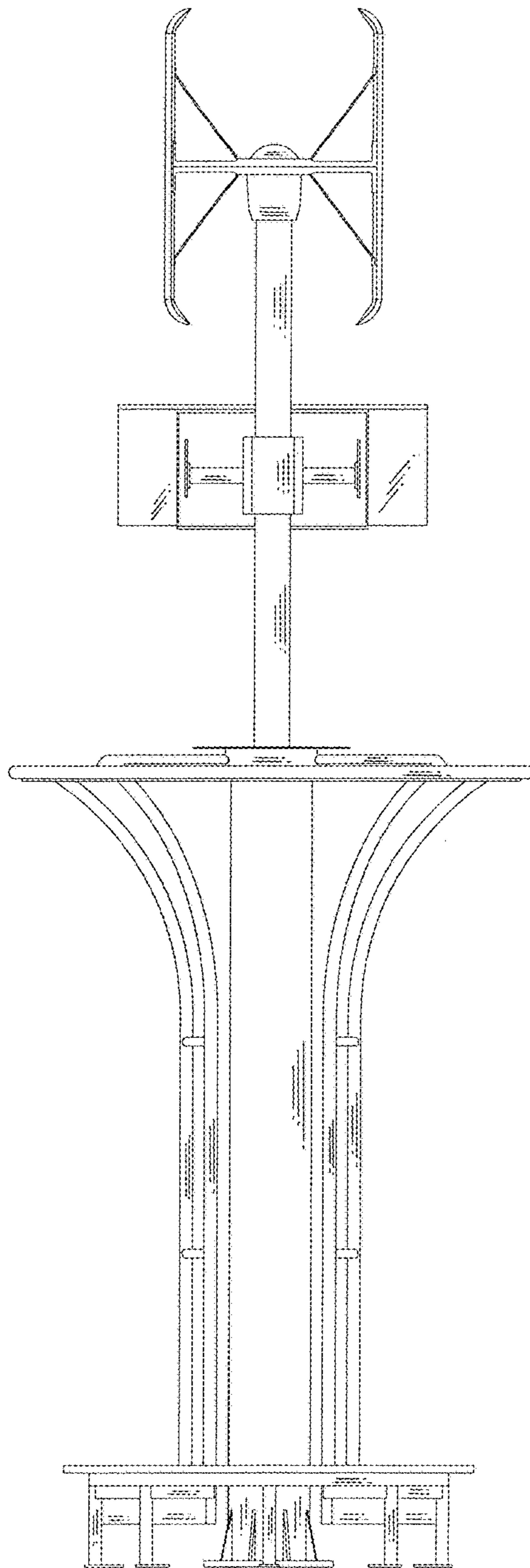


Fig. 3

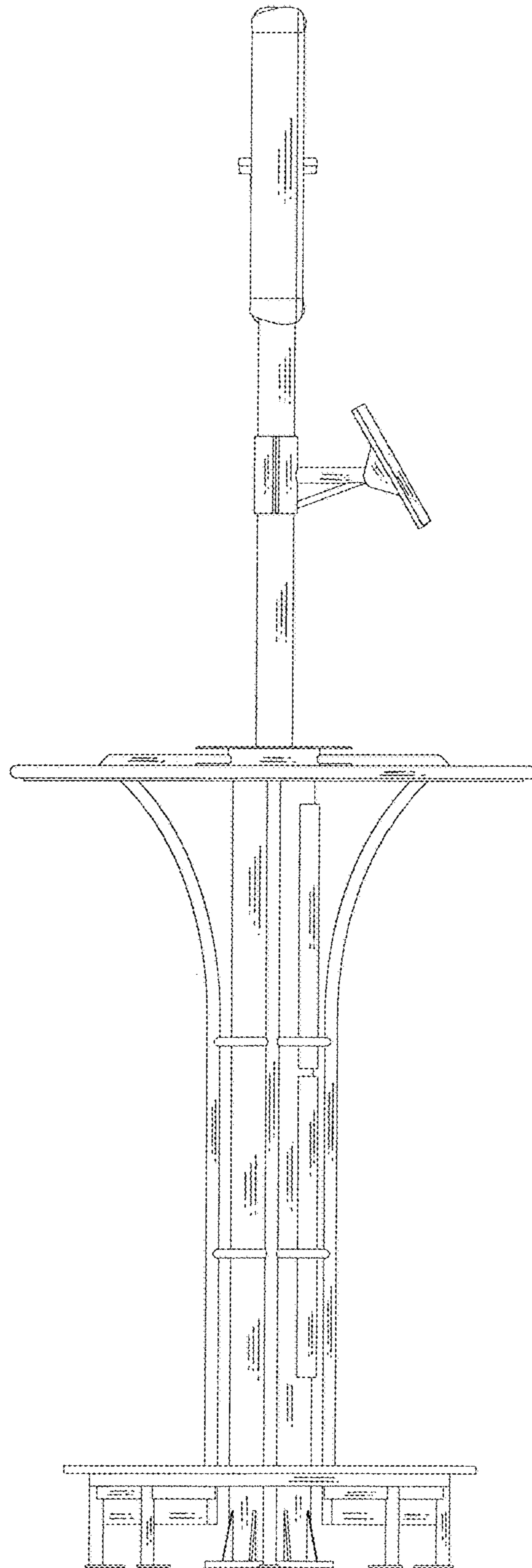


Fig. 4

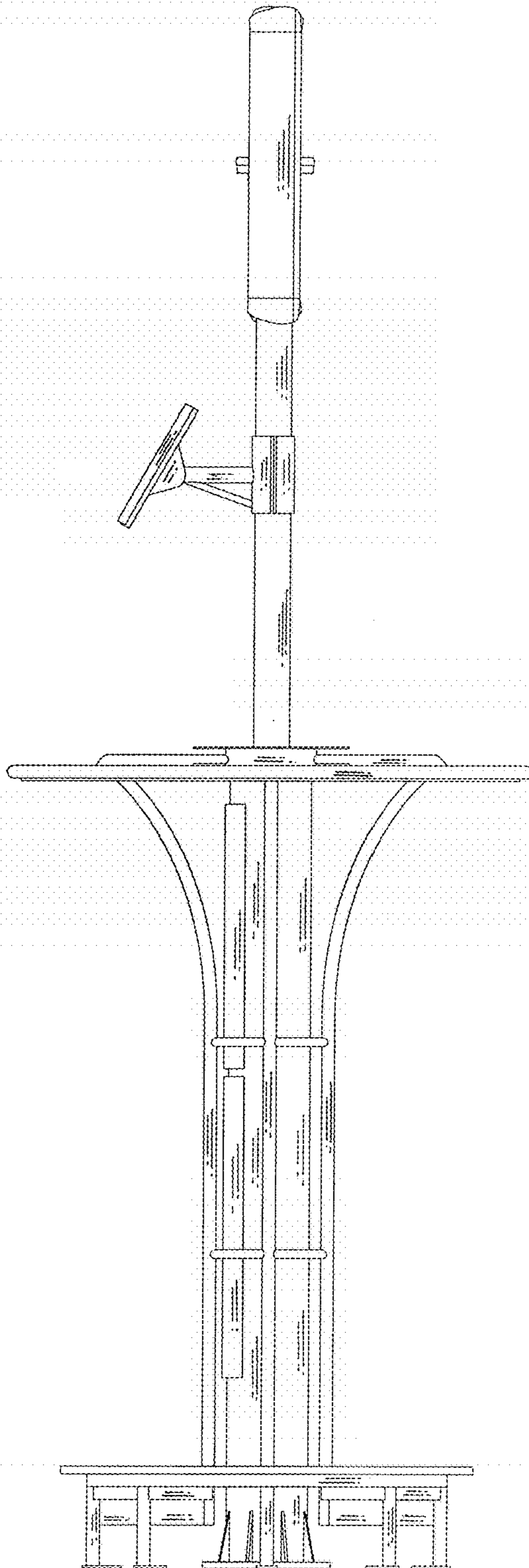


Fig. 5

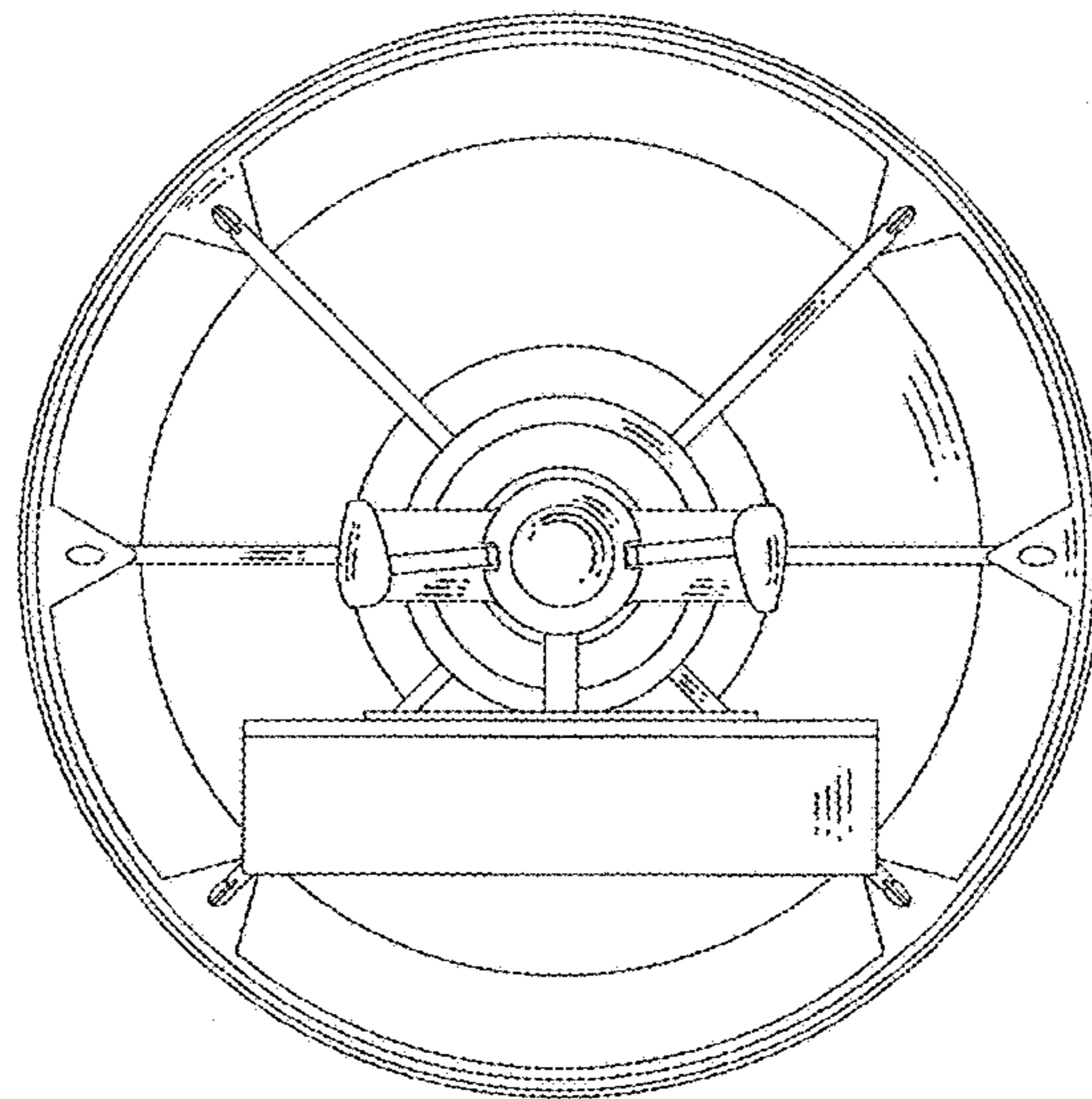


Fig. 6

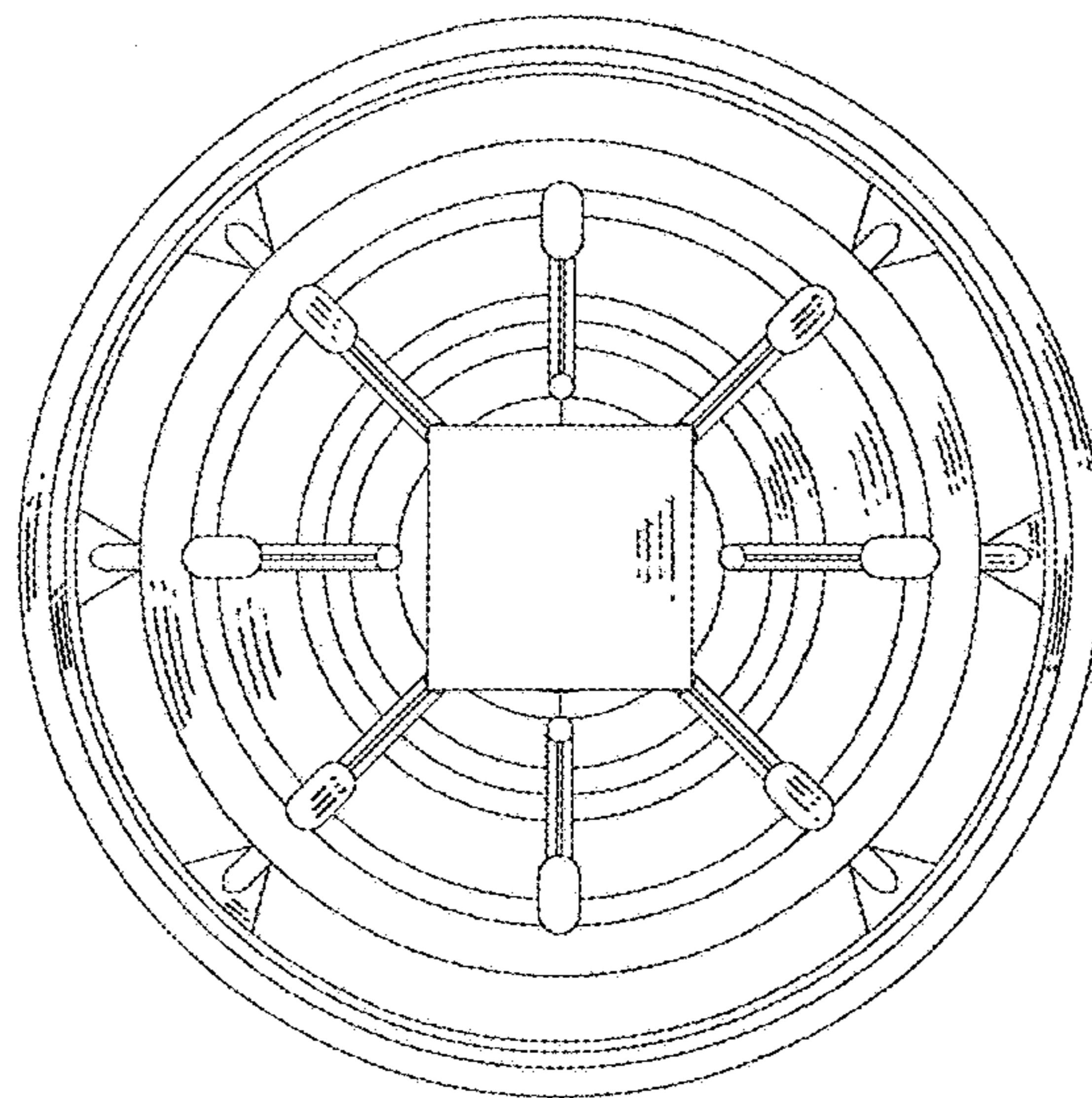


Fig. 7

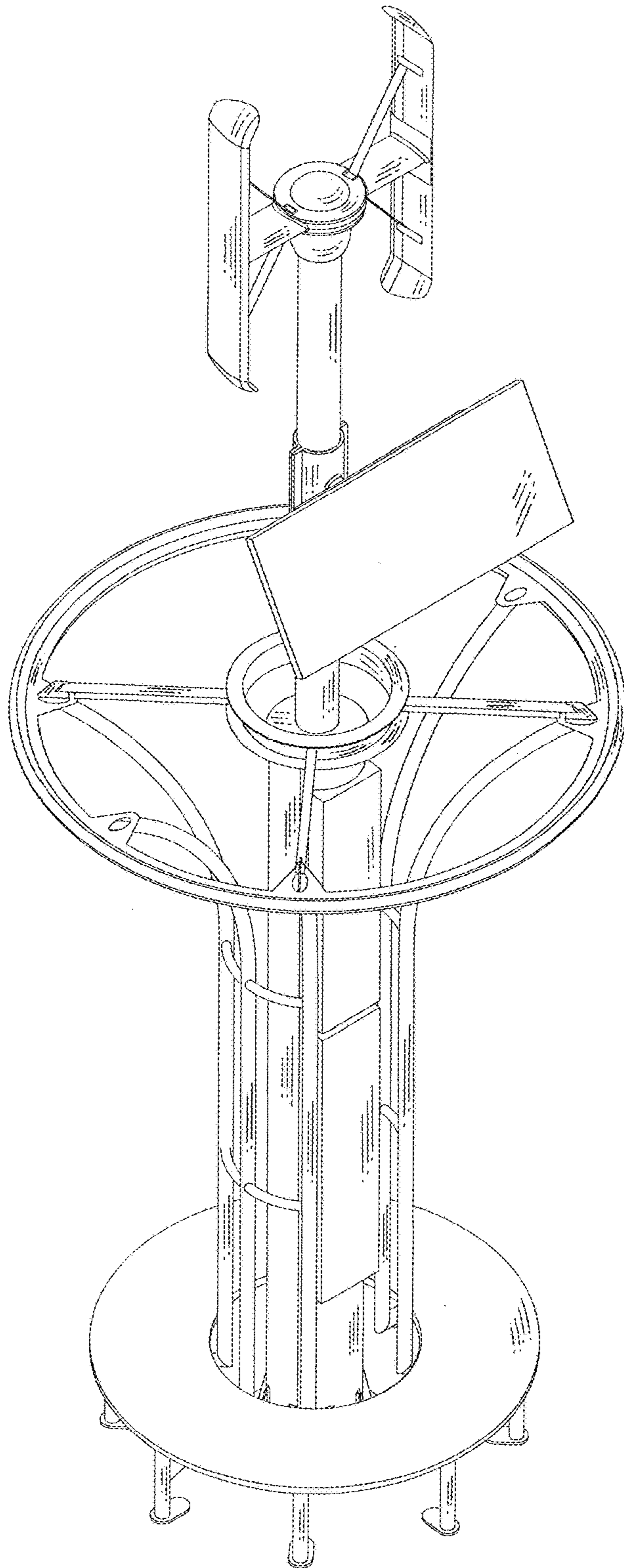


Fig. 8

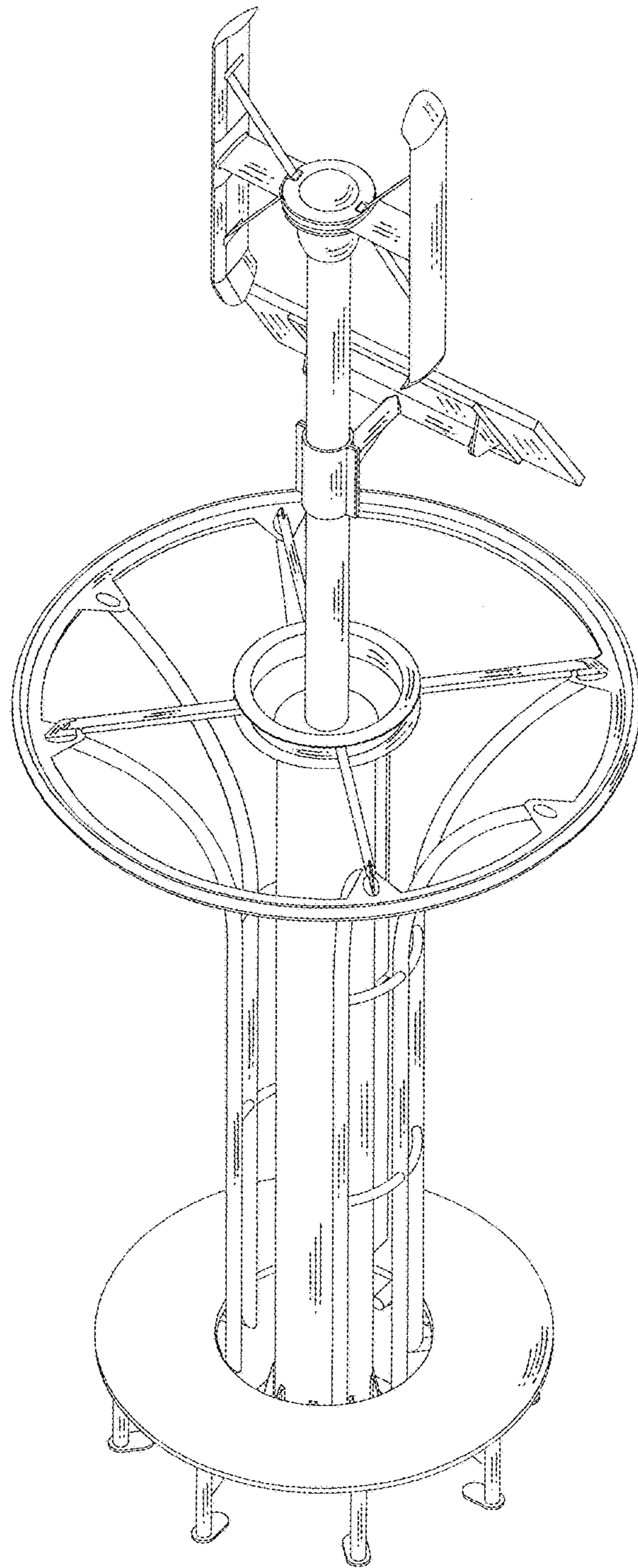


Fig. 9

