



US00D841213S

(12) **United States Design Patent**
Zhuo

(10) **Patent No.:** **US D841,213 S**

(45) **Date of Patent:** **** Feb. 19, 2019**

- (54) **SOLAR ENERGY LAWN LAMP**
- (71) Applicant: **ZHONGSHAN YINGHAO SOLAR TECHNOLOGY CO., LTD,**
Zhongshan (CN)
- (72) Inventor: **Qiang Zhuo,** Zhongshan (CN)
- (73) Assignee: **Zhongshan Yinghao Solar Technology Co., Ltd,** Zhongshan (CN)
- (**) Term: **15 Years**
- (21) Appl. No.: **29/624,695**
- (22) Filed: **Nov. 2, 2017**
- (51) **LOC (11) Cl.** **26-05**
- (52) **U.S. Cl.**
USPC **D26/68**
- (58) **Field of Classification Search**
USPC D26/8, 67, 68
See application file for complete search history.

- 7,938,565 B2 * 5/2011 Richard F21S 8/081
362/153.1
- D694,933 S * 12/2013 Meyer D26/67
- 8,632,234 B1 * 1/2014 Lowe F21S 8/081
362/153.1
- 9,591,843 B2 * 3/2017 Formico A01M 1/04
- 9,940,839 B2 * 4/2018 Stafford G08G 1/097
- D824,562 S * 7/2018 Chen D26/68

* cited by examiner

Primary Examiner — Clare E Heflin

(74) *Attorney, Agent, or Firm* — Wayne & Ken, LLC;
Tony Hom

(57) **CLAIM**

The ornamental design for the solar energy lawn lamp, as shown and described.

DESCRIPTION

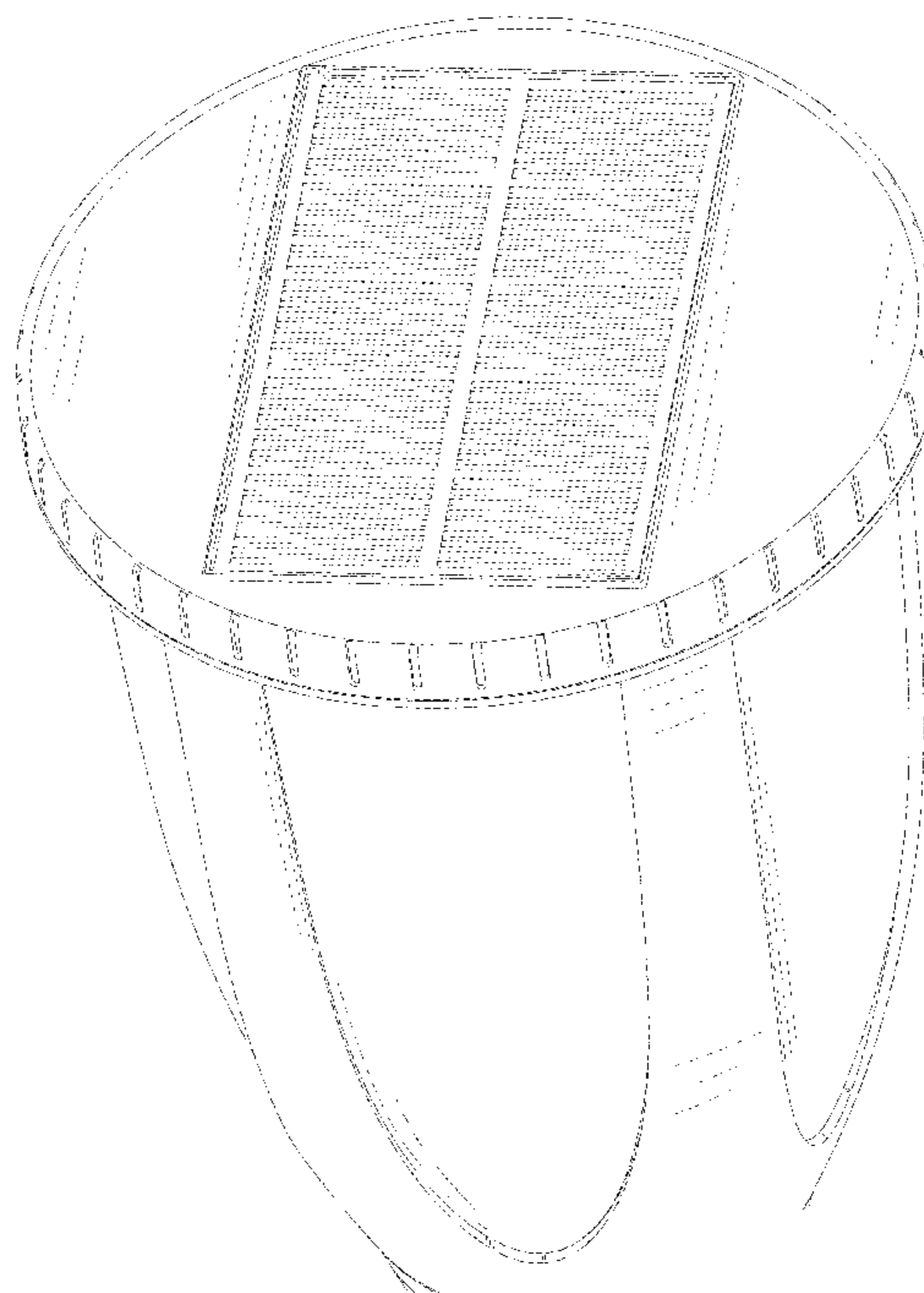
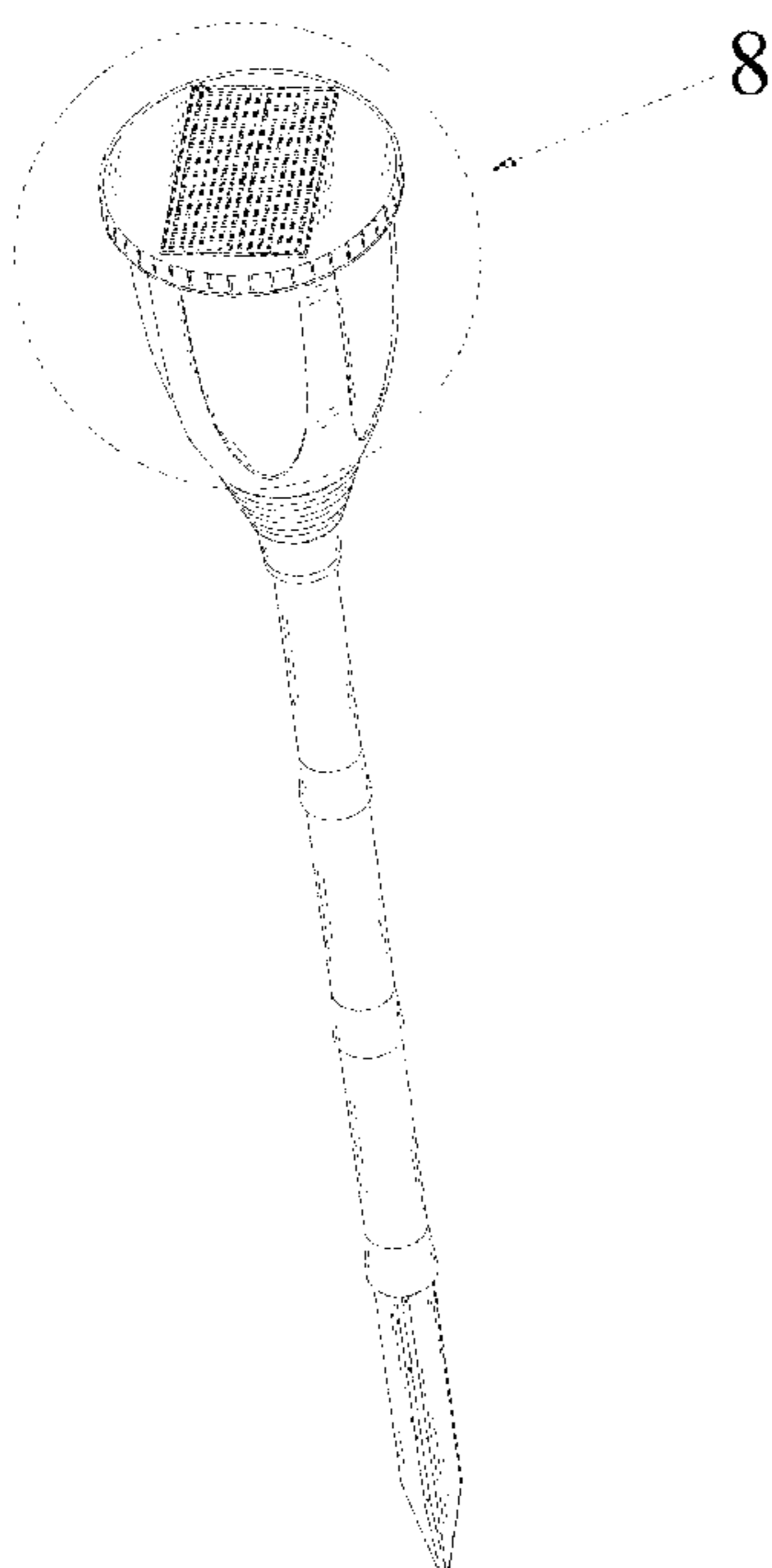
FIG. 1 is a perspective view of a solar energy lawn lamp showing my new design;
 FIG. 2 is another perspective view thereof;
 FIG. 3 is a front view thereof;
 FIG. 4 is a back view thereof;
 FIG. 5 is an enlarged top view thereof;
 FIG. 6 is a bottom view thereof;
 FIG. 7 is a left view thereof; and,
 FIG. 8 is a partial enlargement view of FIG. 1.
 The broken lines shown on the drawings depict portions of the solar energy lawn lamp that form no part of the claimed design.

1 Claim, 8 Drawing Sheets

(56) **References Cited**

U.S. PATENT DOCUMENTS

- D464,456 S * 10/2002 Chang D26/67
- D497,021 S * 10/2004 Pu D26/67
- D499,830 S * 12/2004 Chen D26/67
- D505,509 S * 5/2005 Chen D26/67
- D518,910 S * 4/2006 Sooferian D26/67
- D539,957 S * 4/2007 Luo D26/128
- D615,683 S * 5/2010 Chen D26/68



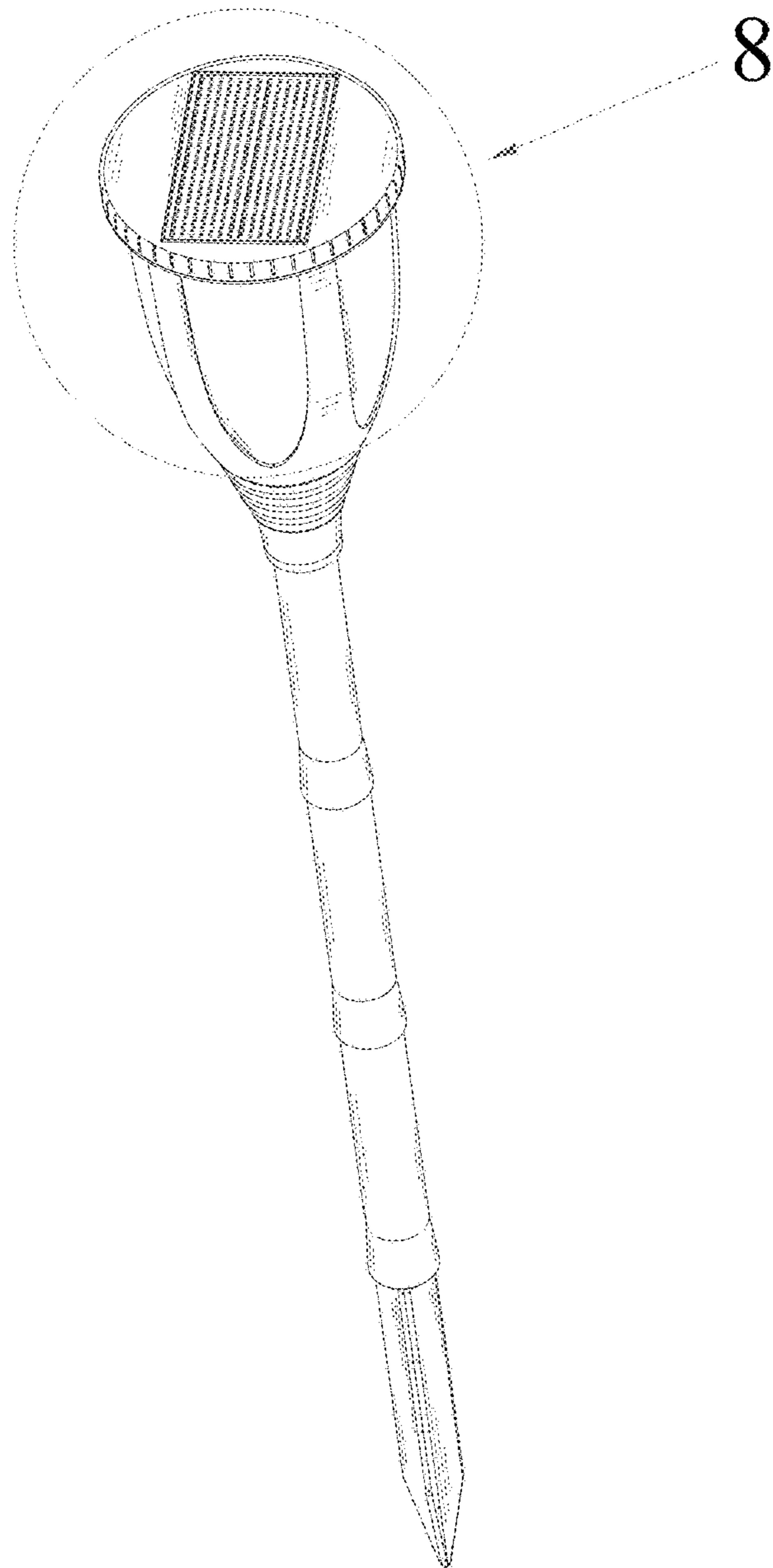


FIG. 1

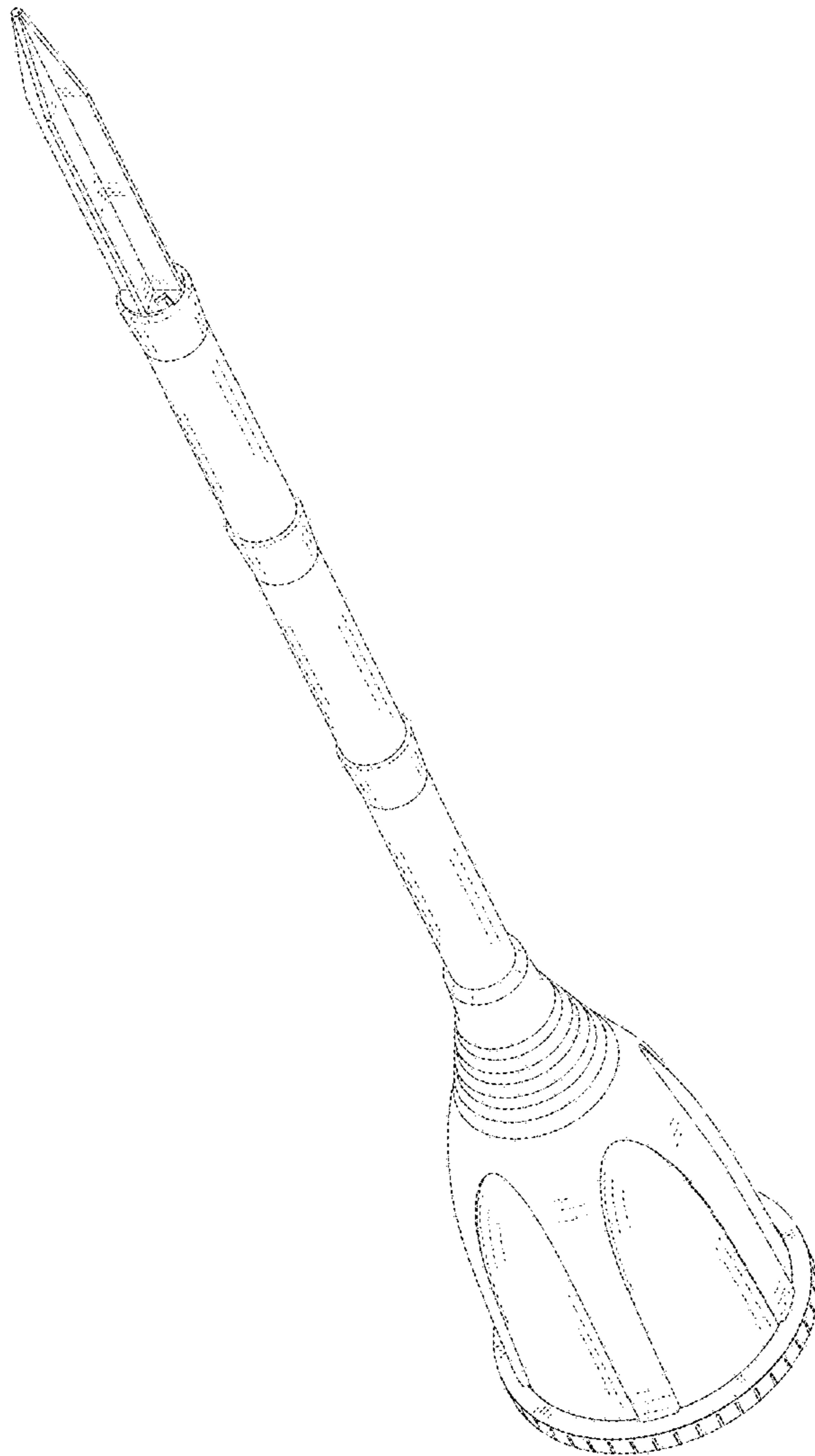


FIG. 2

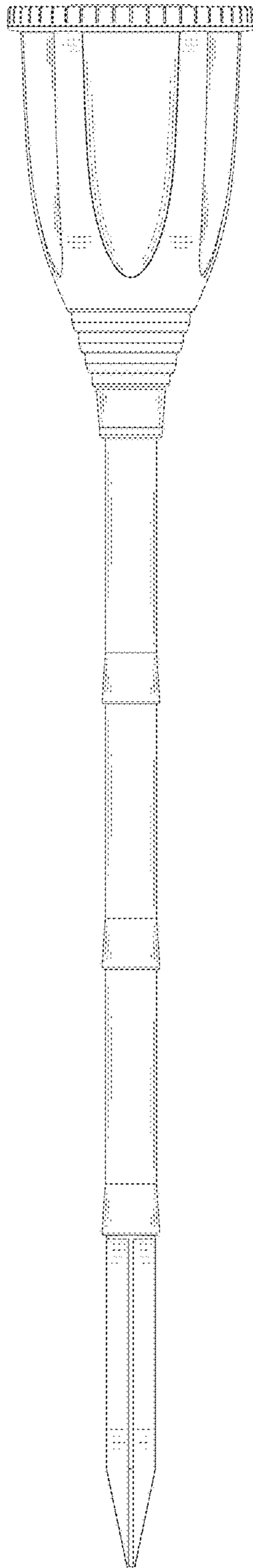


FIG. 3

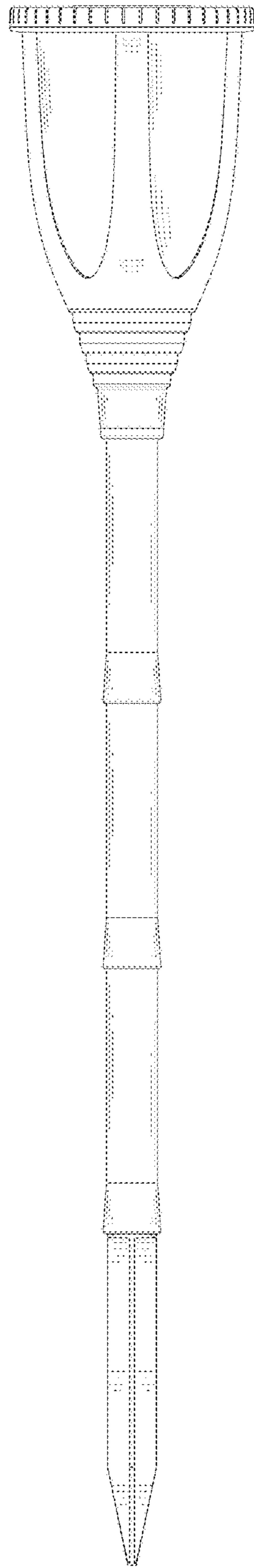


FIG. 4

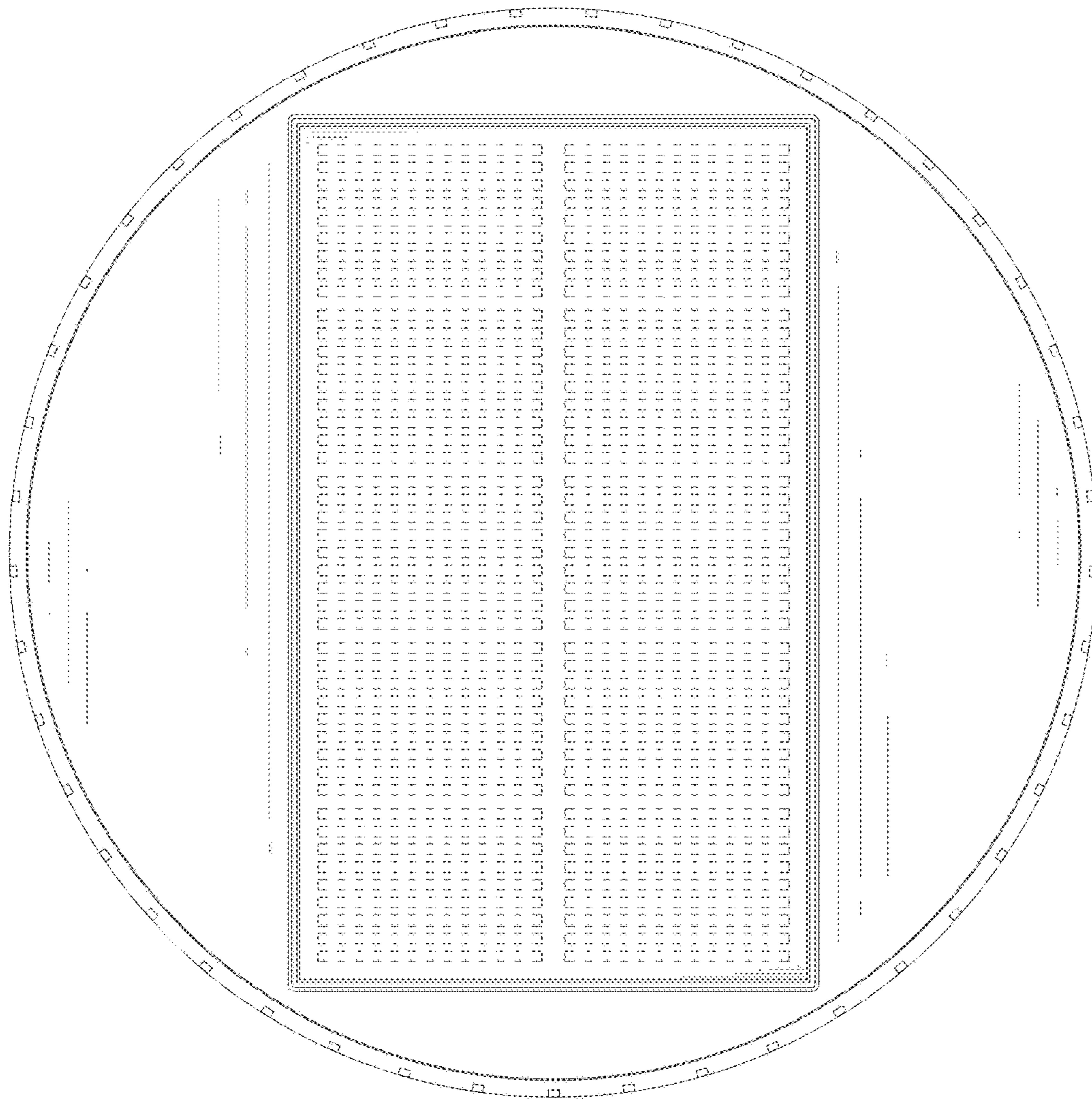


FIG. 5

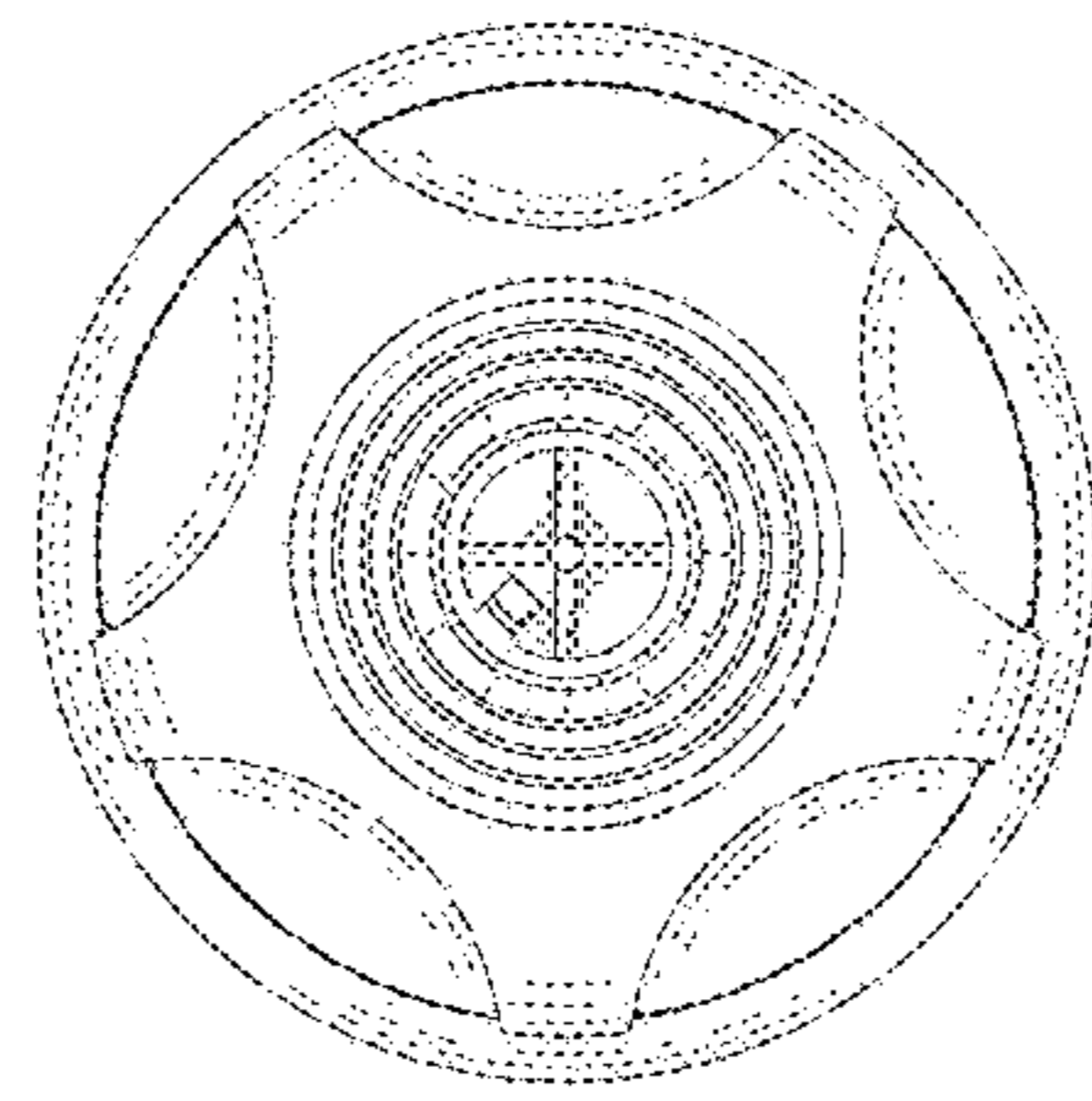


FIG. 6

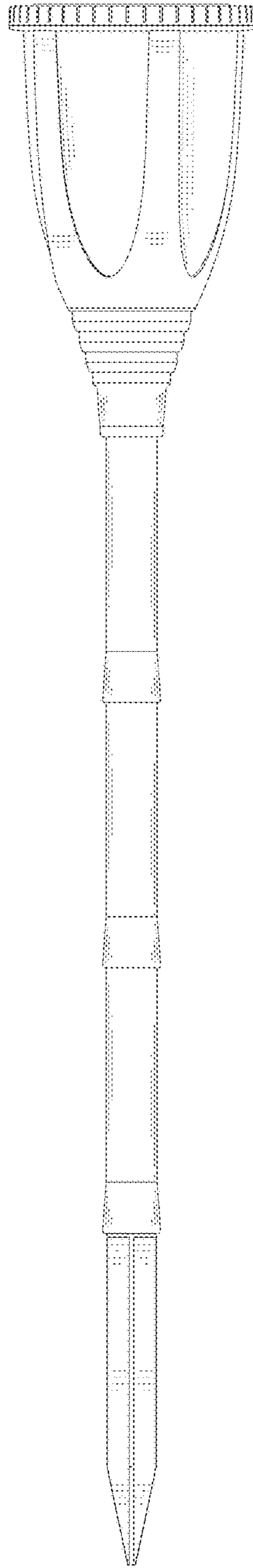


FIG. 7

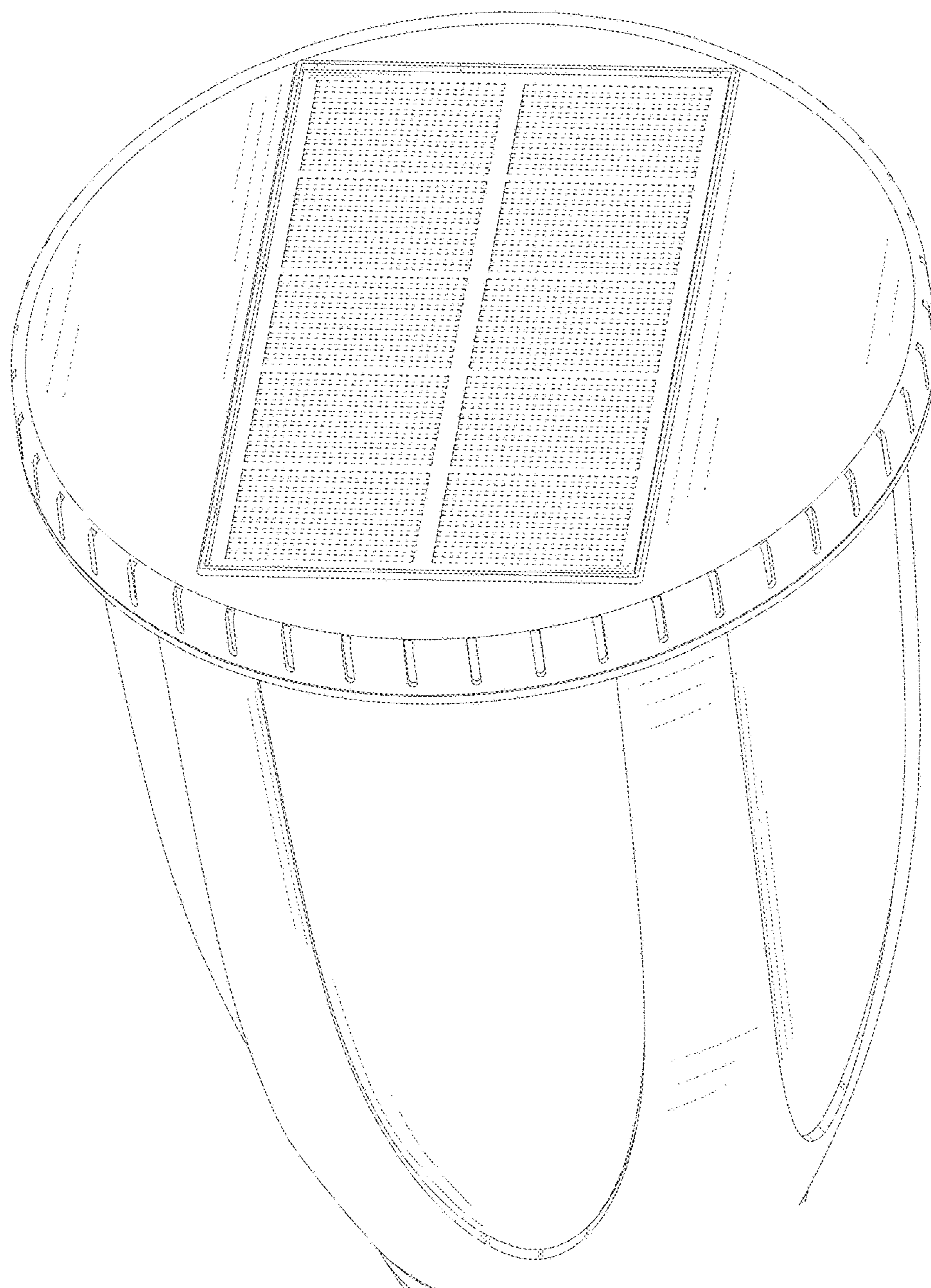


FIG. 8