



US00D841212S

(12) **United States Design Patent**  
**Wong**

(10) **Patent No.:** **US D841,212 S**

(45) **Date of Patent:** **\*\* Feb. 19, 2019**

(54) **MODERN TABLE LAMP**

D478,392 S \* 8/2003 Kovacik ..... D26/65  
D618,386 S \* 6/2010 Nelson ..... D26/65

(71) Applicant: **Ka Hei Wong**, Thompson, CT (US)

\* cited by examiner

(72) Inventor: **Ka Hei Wong**, Thompson, CT (US)

*Primary Examiner* — Brian N. Vinson

(\*\*) Term: **15 Years**

(74) *Attorney, Agent, or Firm* — Robert J Doherty

(21) Appl. No.: **29/620,962**

(57) **CLAIM**

(22) Filed: **Sep. 11, 2017**

The ornamental design for a modern table lamp, as shown and described.

(51) **LOC (11) Cl.** ..... **26-03**

(52) **U.S. Cl.**  
USPC ..... **D26/65**

**DESCRIPTION**

(58) **Field of Classification Search**  
USPC ..... D26/1, 24, 61, 63, 65, 85, 92  
CPC ..... F21V 21/14; F21V 15/01; F21V 14/02;  
F21V 21/30; F21V 21/00; F21V 14/00;  
F21S 8/00; F21S 8/003; F21S 8/043;  
F21Y 2105/001

FIG. 1 is a side perspective view of a modern table lamp showing my new design;  
FIG. 2 is a left side elevation view of FIG. 1;  
FIG. 3 is a right side elevation view of FIG. 1;  
FIG. 4 is a front elevation view of FIG. 1;  
FIG. 5 is a rear elevation view of FIG. 1;  
FIG. 6 is a top plan view of FIG. 1; and,  
FIG. 7 is a bottom plan view of FIG. 1.

See application file for complete search history.

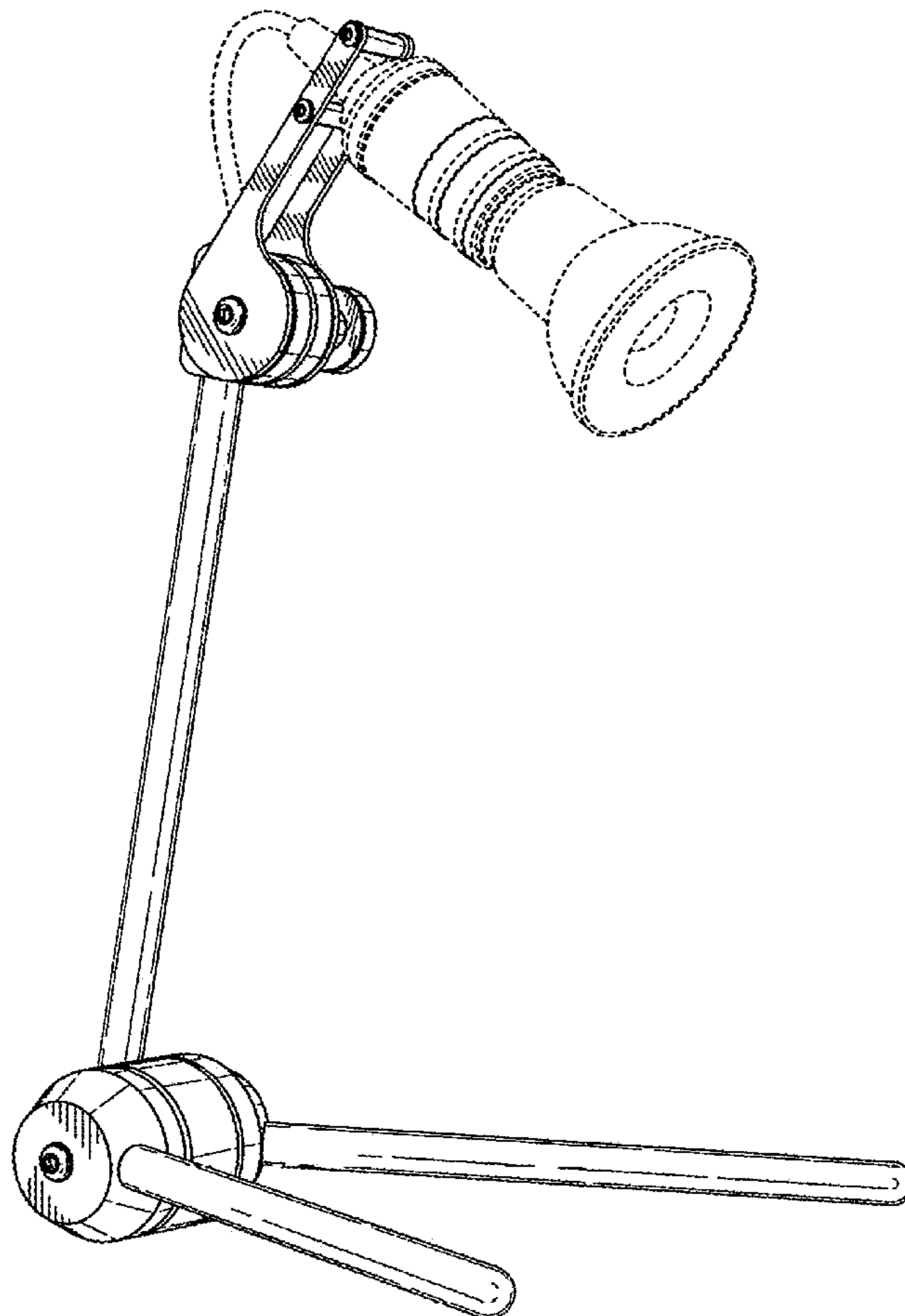
The broken line disclosure represents portions of the lamp which form no part of the claimed design.

(56) **References Cited**

**U.S. PATENT DOCUMENTS**

**1 Claim, 7 Drawing Sheets**

D428,179 S \* 7/2000 Huang ..... D26/65



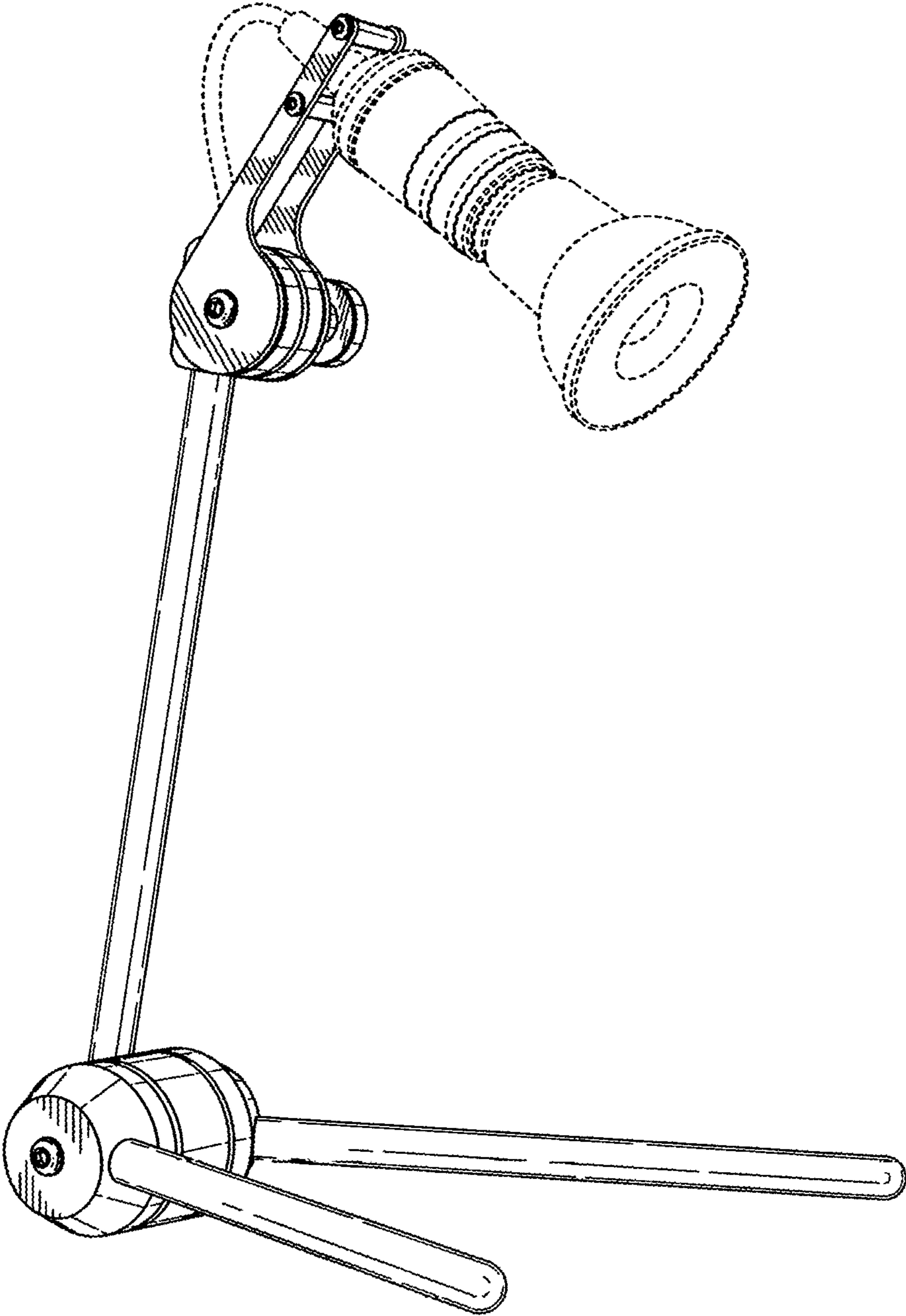


FIG. 1

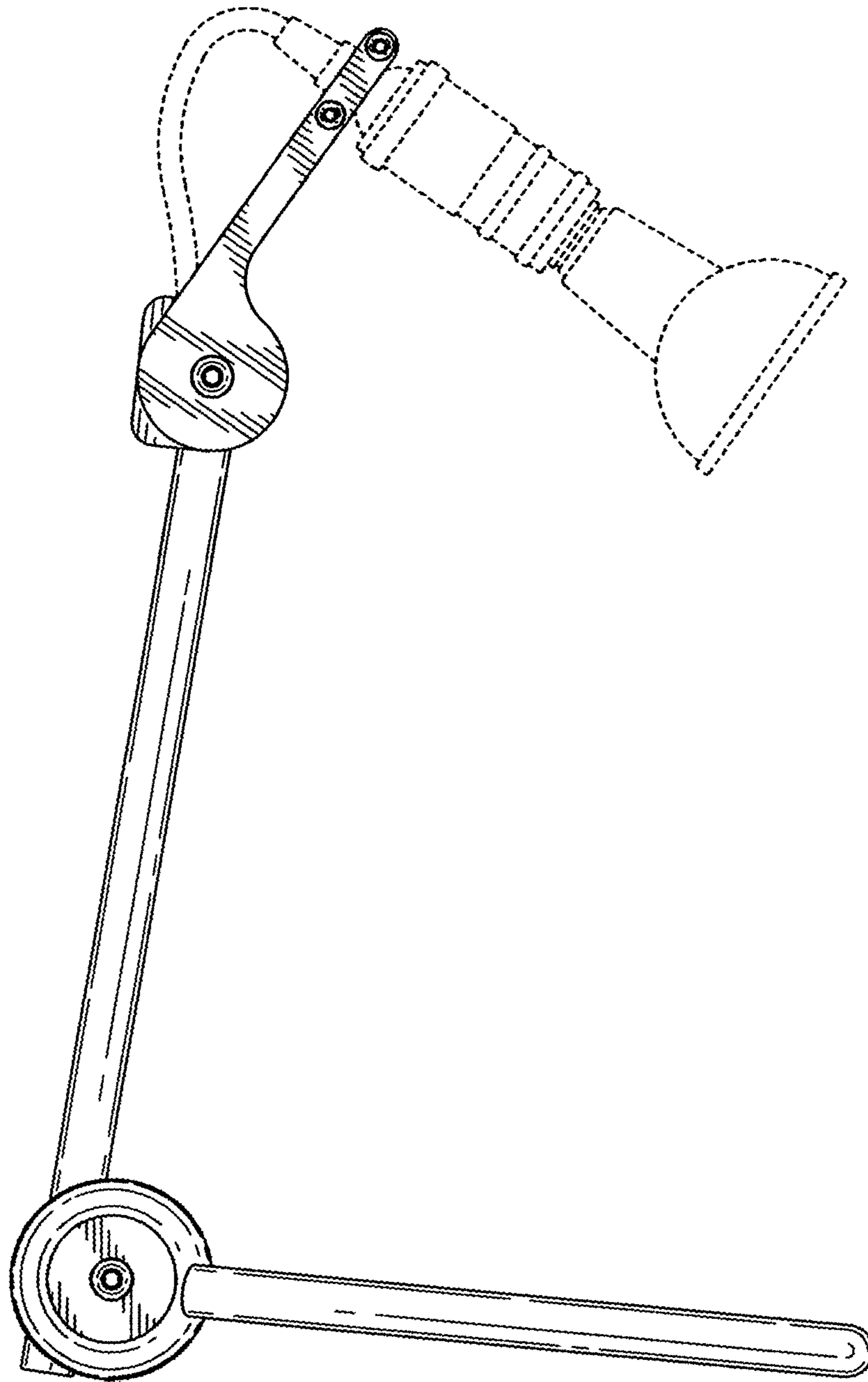


FIG. 2

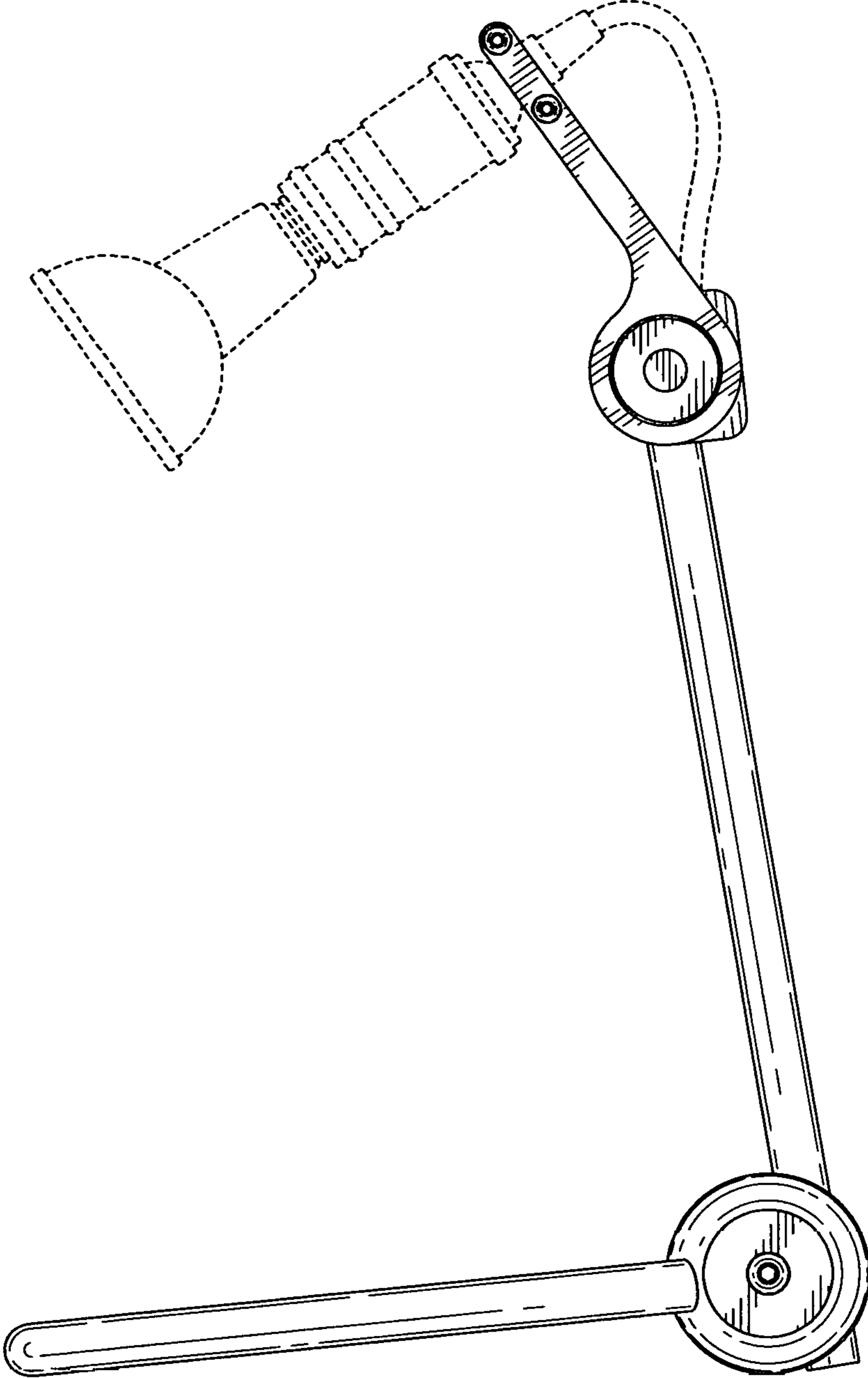


FIG. 3

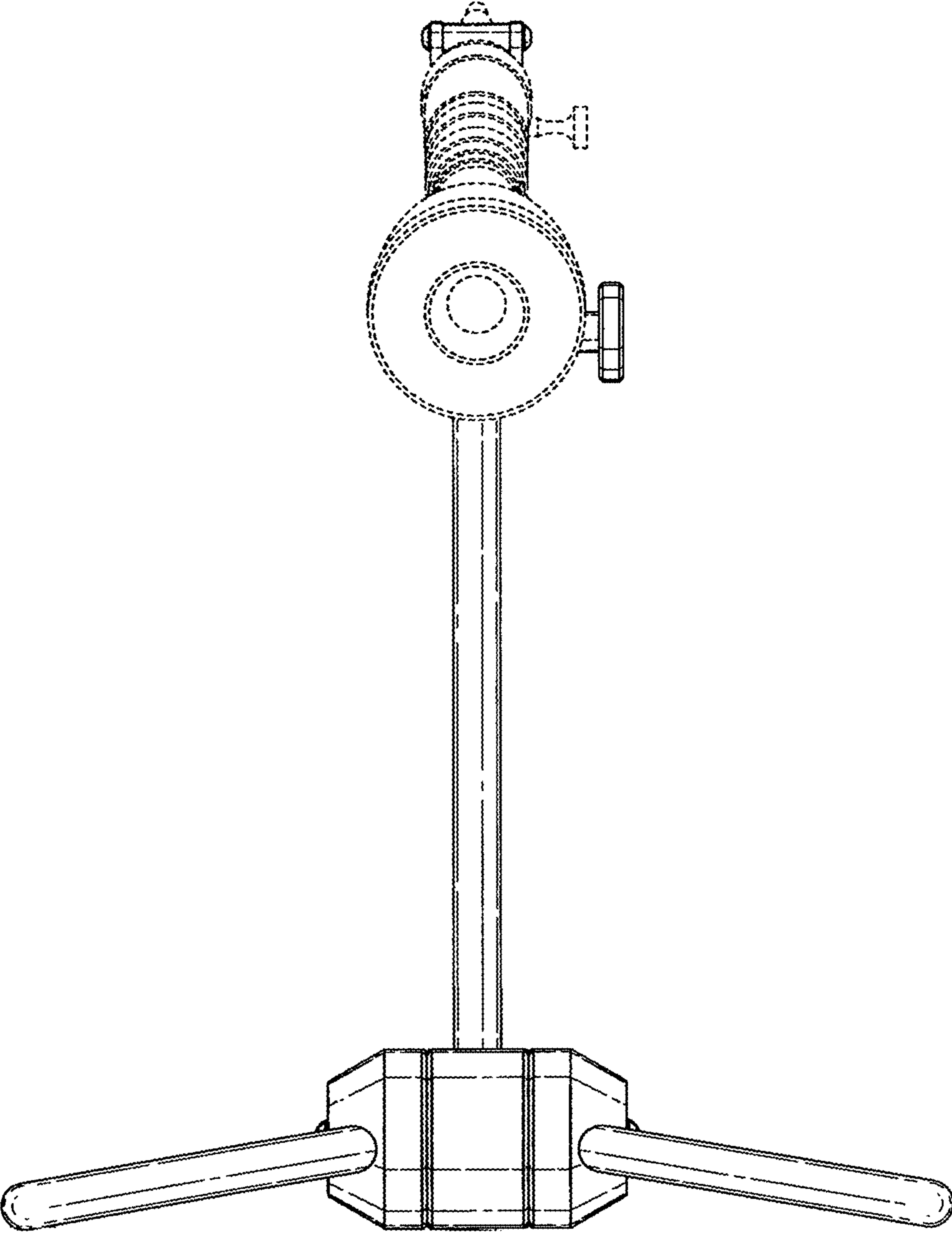


FIG. 4

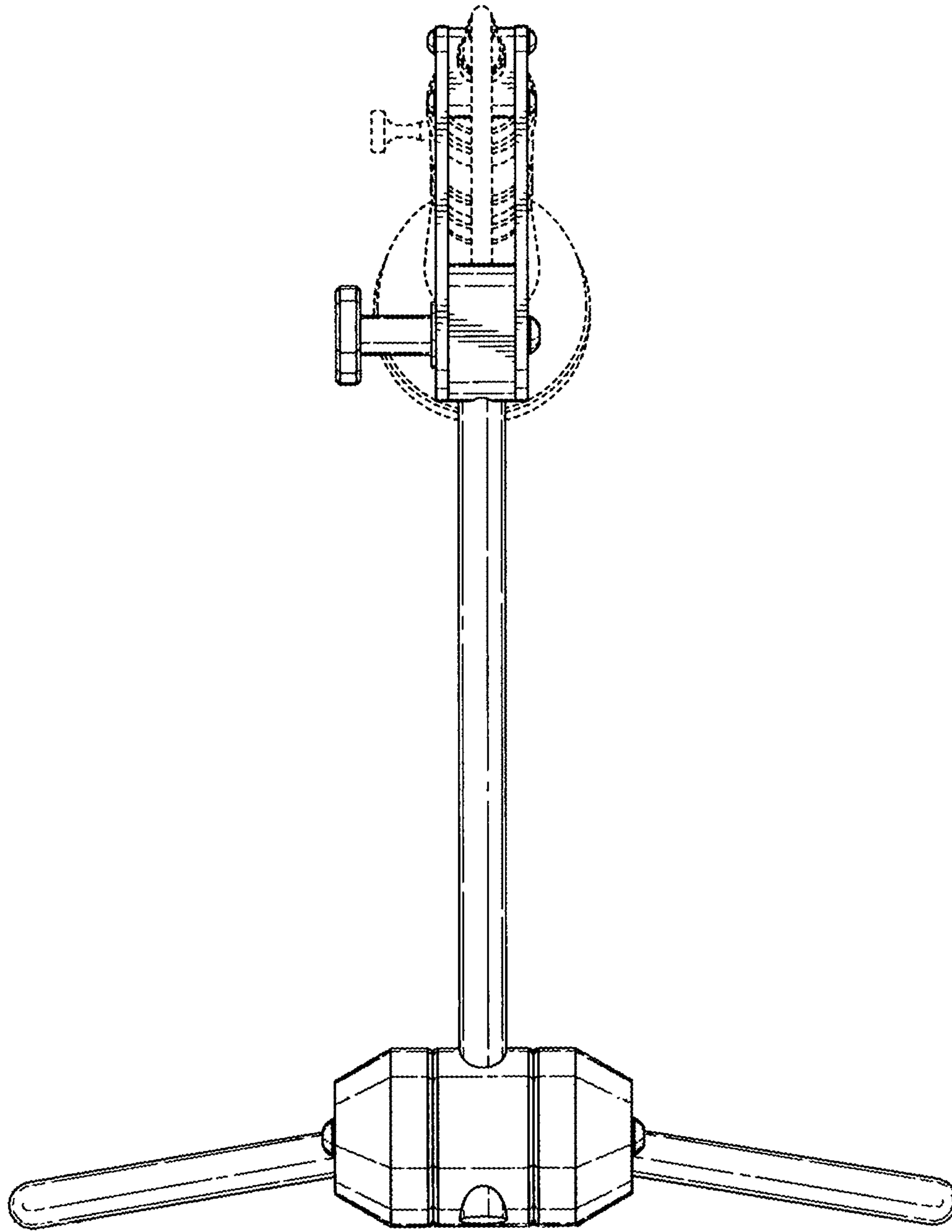


FIG. 5

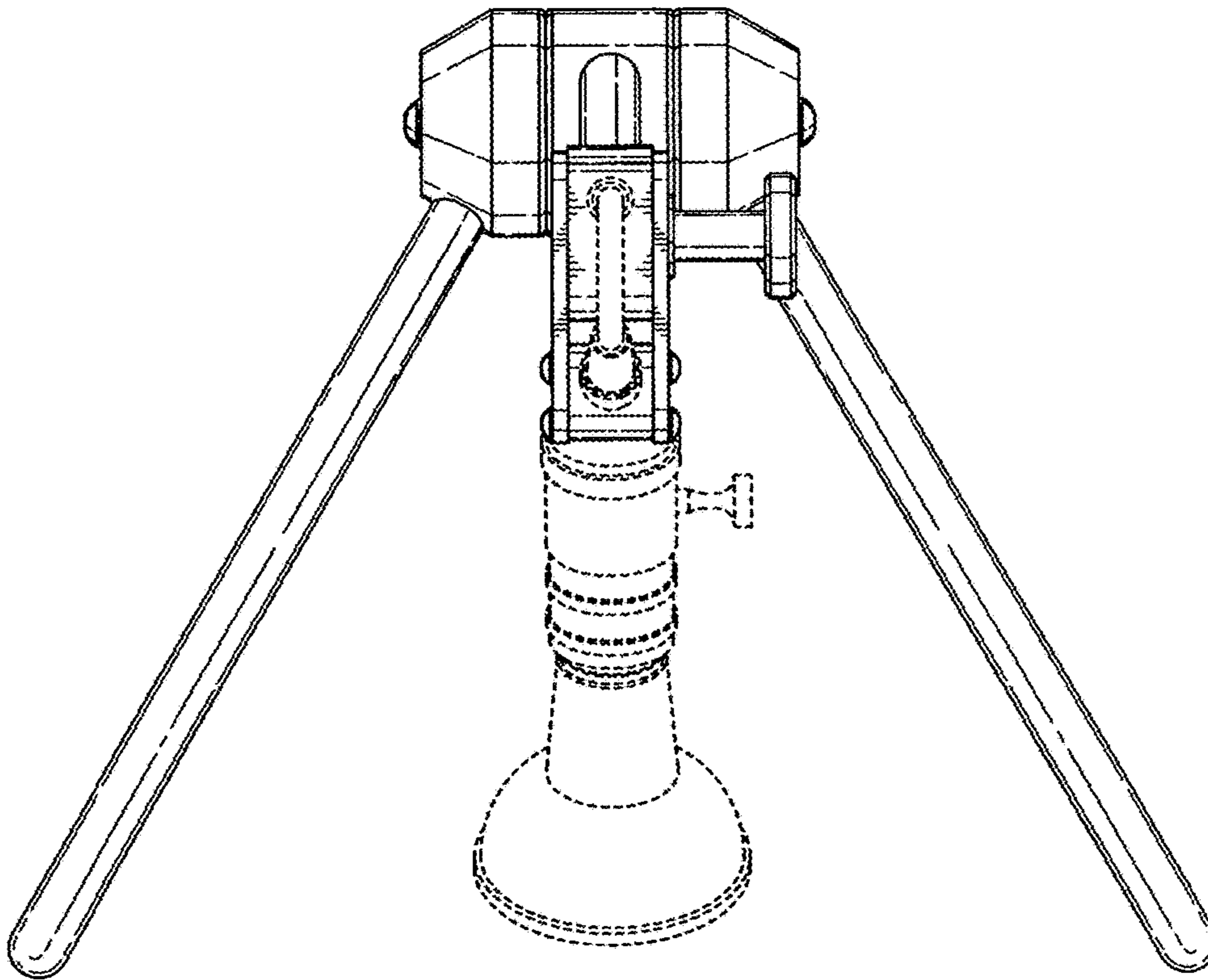


FIG. 6

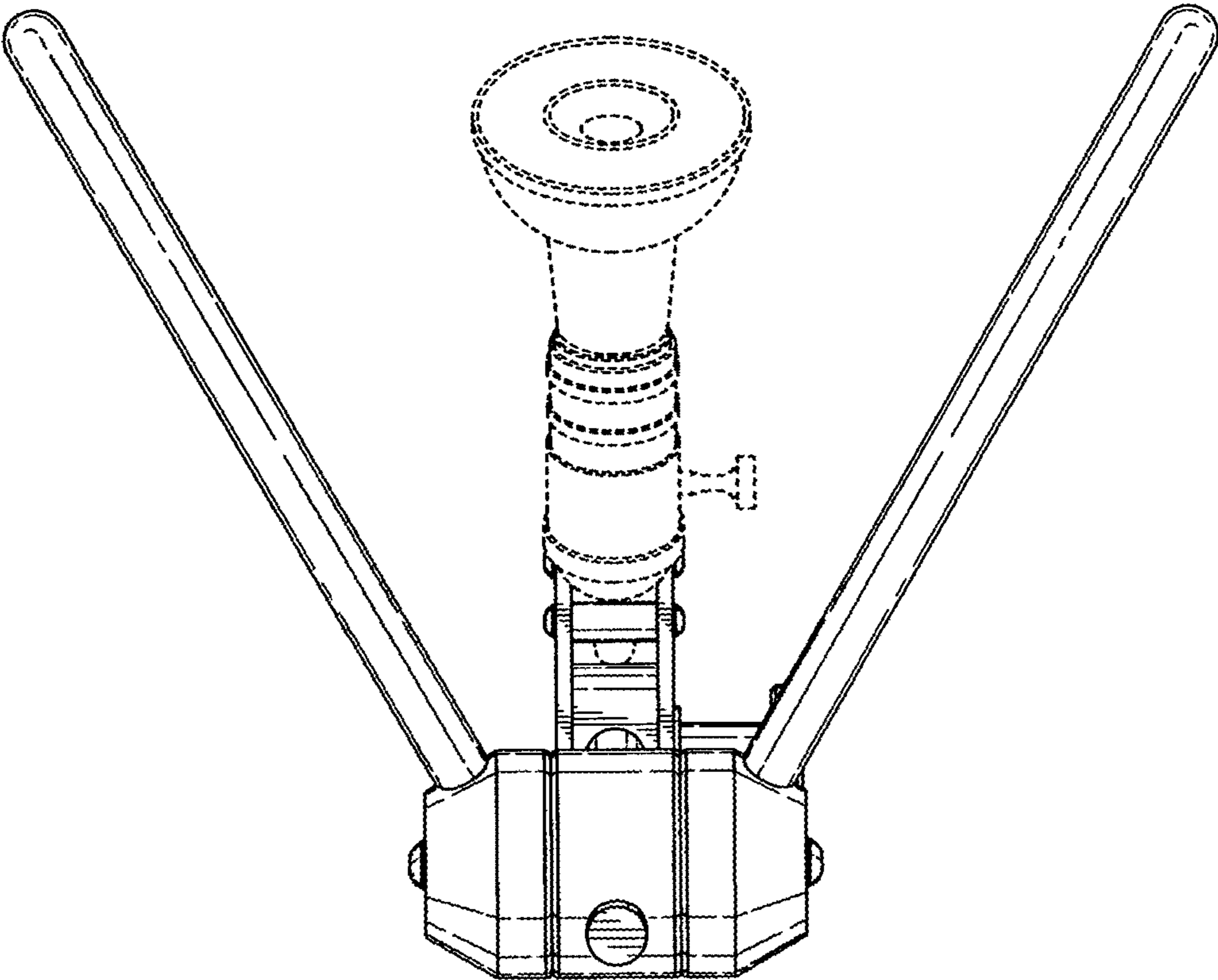


FIG. 7