

US00D841210S

(12) **United States Design Patent** (10) **Patent No.:** **US D841,210 S**
Ye et al. (45) **Date of Patent:** **** Feb. 19, 2019**

(54) **PROJECTOR LIGHT** D777,965 S * 1/2017 Mirchandani D26/63
 D779,098 S * 2/2017 Tsai D26/63
 (71) Applicant: **SHENZHEN OPOLO TECH CO., LTD**, Shenzhen (CN) D797,975 S * 9/2017 Lentine D26/63
 D798,484 S * 9/2017 Lentine D26/63

(72) Inventors: **Zhilong Ye**, Shenzhen (CN); **Kui Sun**, Shenzhen (CN)

* cited by examiner

(73) Assignee: **SHENZHEN OPOLO TECH CO., LTD**, Shenzhen (CN)

Primary Examiner — Brian N. Vinson

(74) *Attorney, Agent, or Firm* — W&K IP (Wayne & King)

(**) Term: **15 Years**

(21) Appl. No.: **29/626,689**

(57) **CLAIM**

(22) Filed: **Nov. 19, 2017**

The ornamental design for a projector light, as shown and described.

(51) **LOC (11) Cl.** **26-03**

(52) **U.S. Cl.**
 USPC **D26/63**

(58) **Field of Classification Search**
 USPC D26/24, 60–71, 85, 92, 113, 118, 119
 CPC F21V 21/14; F21V 15/01; F21V 14/02;
 F21V 21/30; F21V 14/00; F21Y
 2105/001; F21S 8/00

DESCRIPTION

See application file for complete search history.

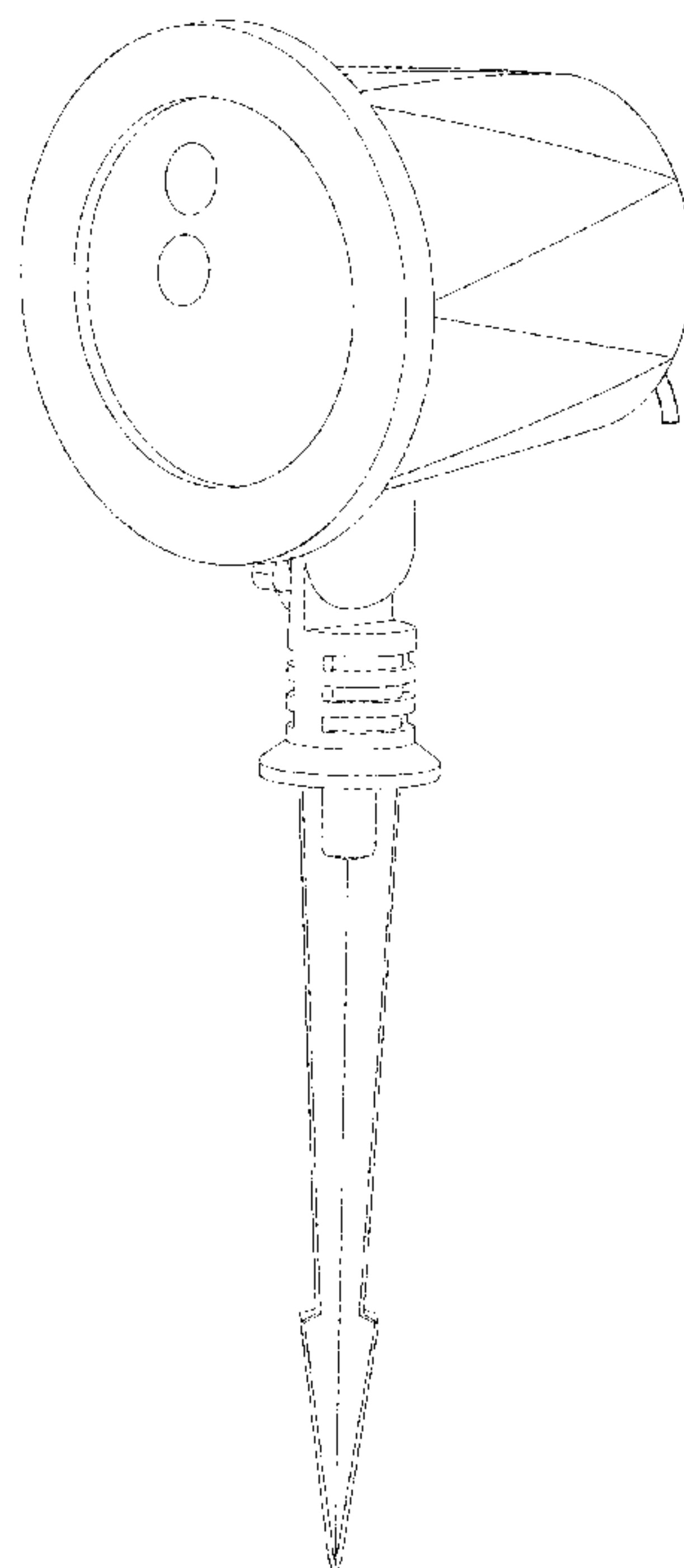
FIG. 1 is perspective view showing our design;
 FIG. 2 is a front view showing our design;
 FIG. 3 is a back view showing our design;
 FIG. 4 is a left side view showing our design;
 FIG. 5 is a right side view showing our design;
 FIG. 6 is a top plan view showing our design; and,
 FIG. 7 is a bottom plan view showing our design.

(56) **References Cited**

U.S. PATENT DOCUMENTS

D574,532 S * 8/2008 Lee D26/63
 D766,484 S * 9/2016 Khubani D26/63

1 Claim, 7 Drawing Sheets



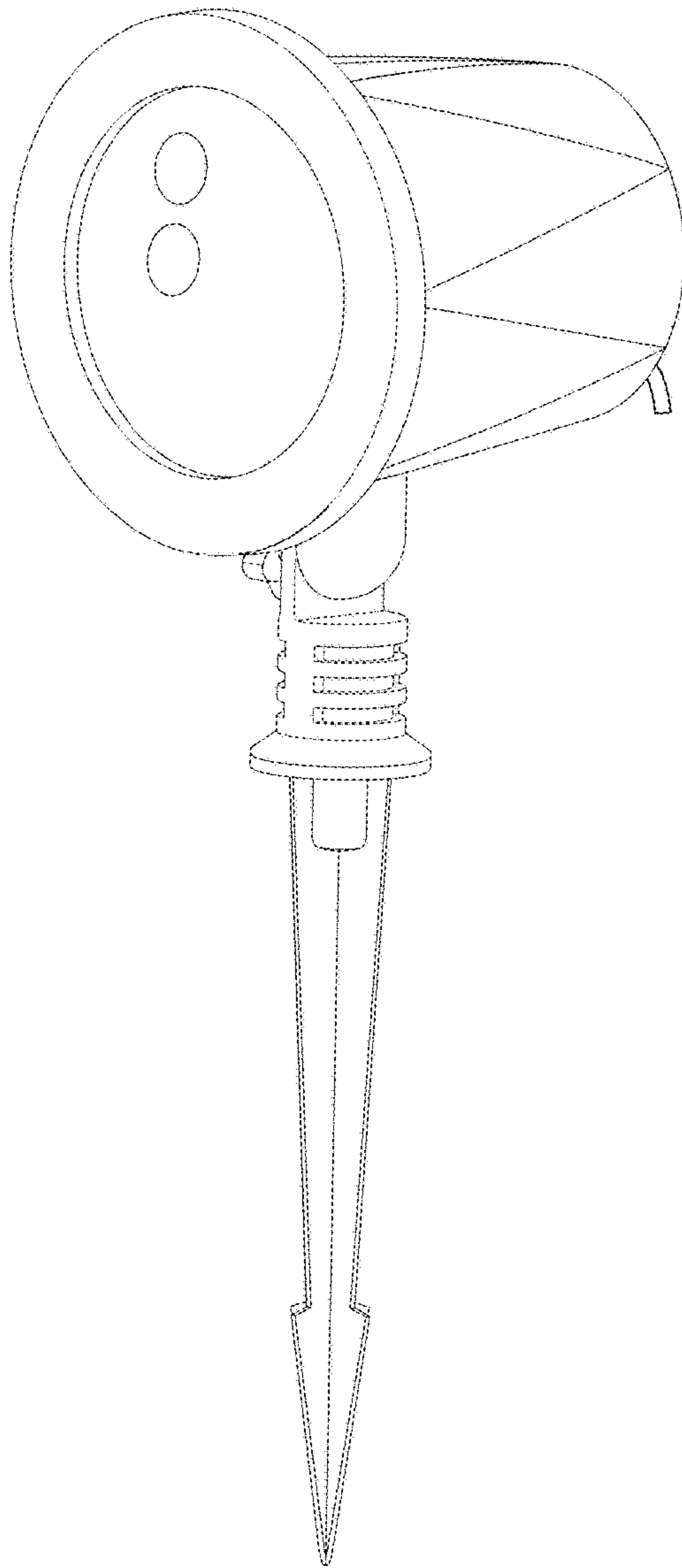


FIG.1

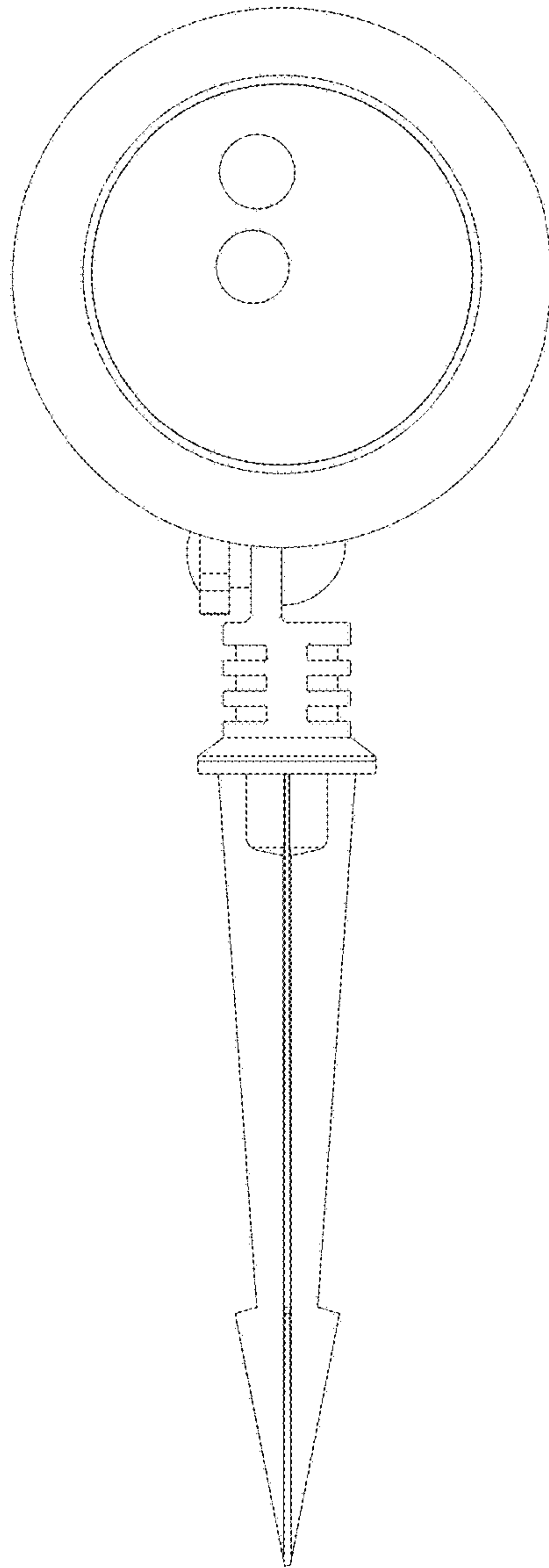


FIG. 2

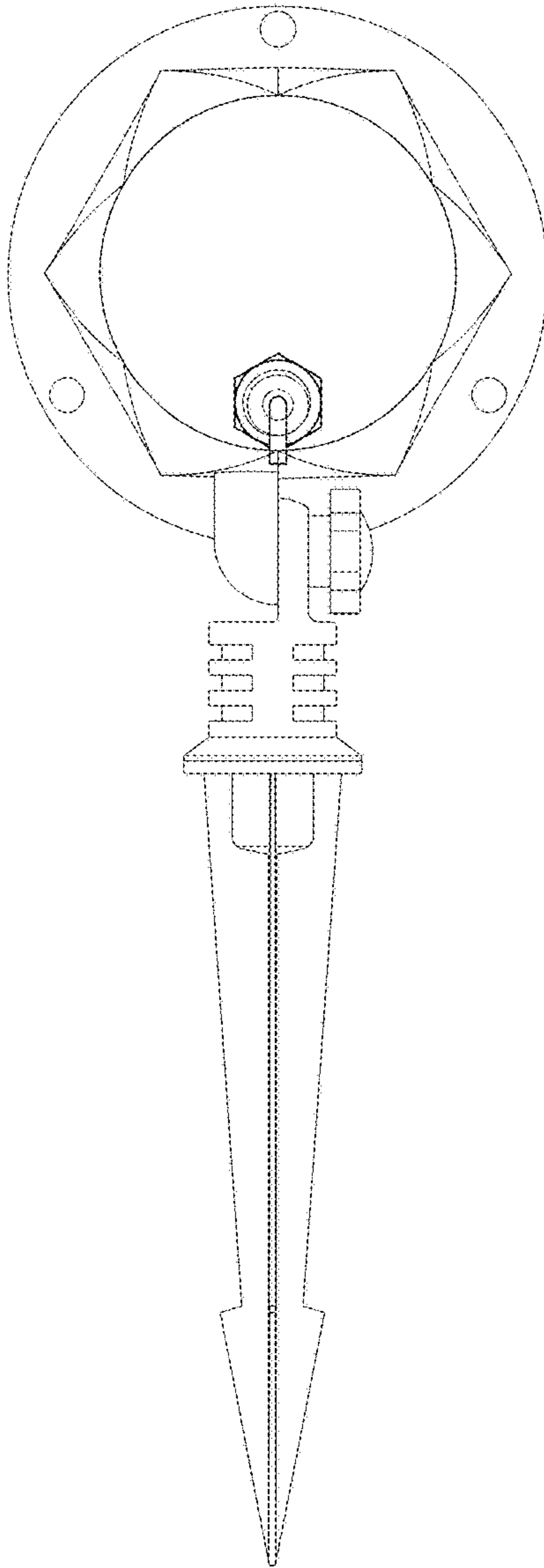


FIG.3

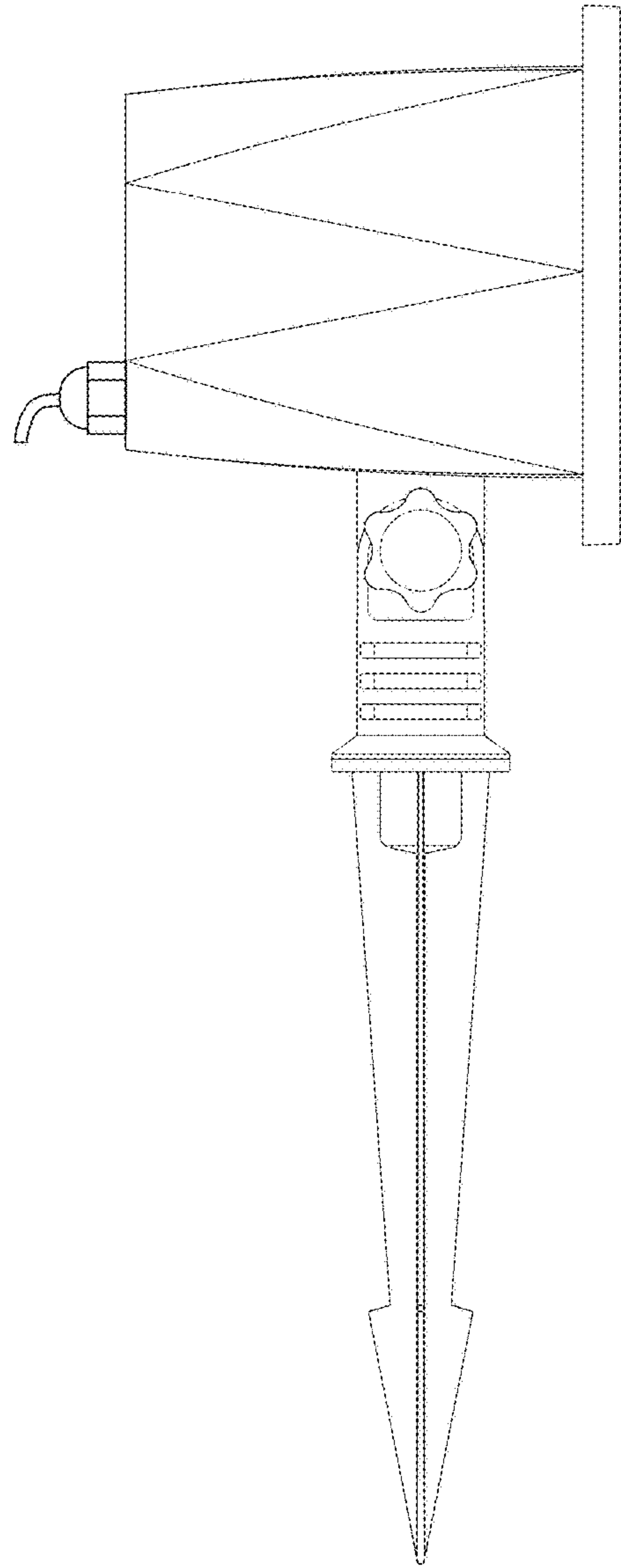


FIG.4

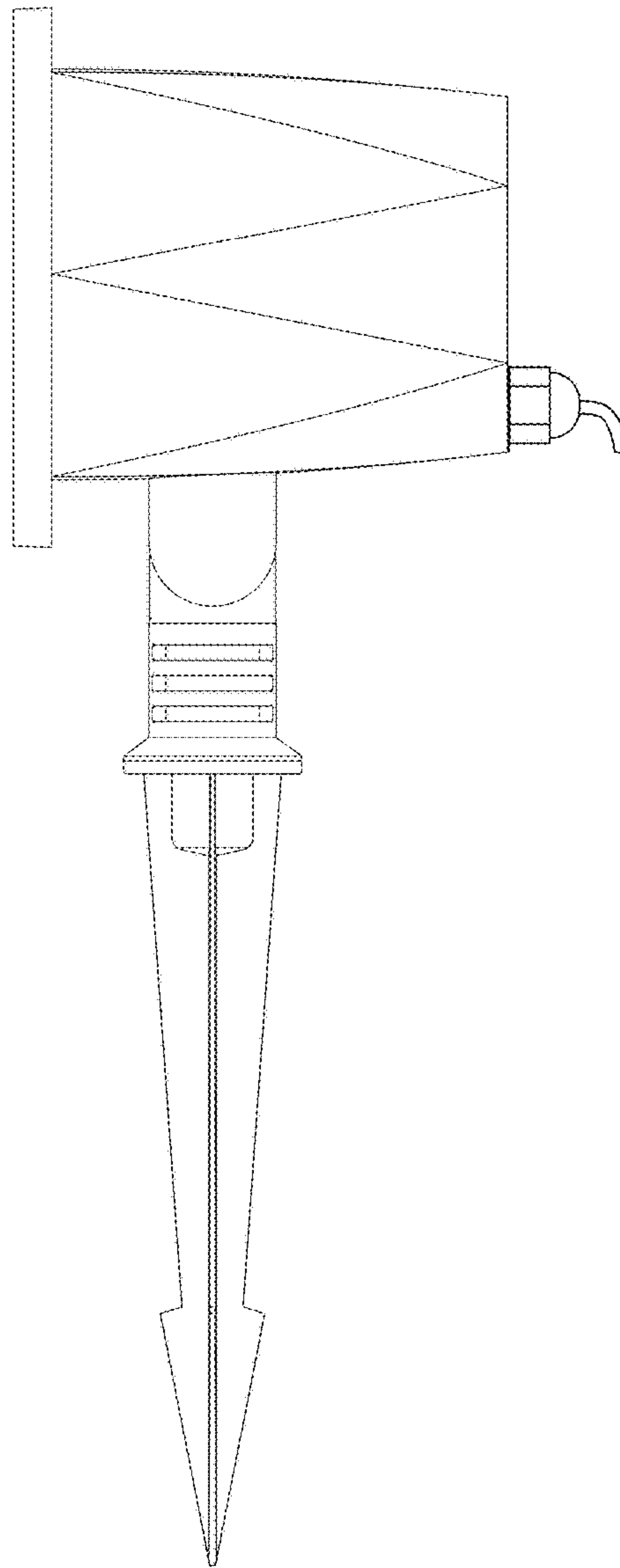


FIG 5

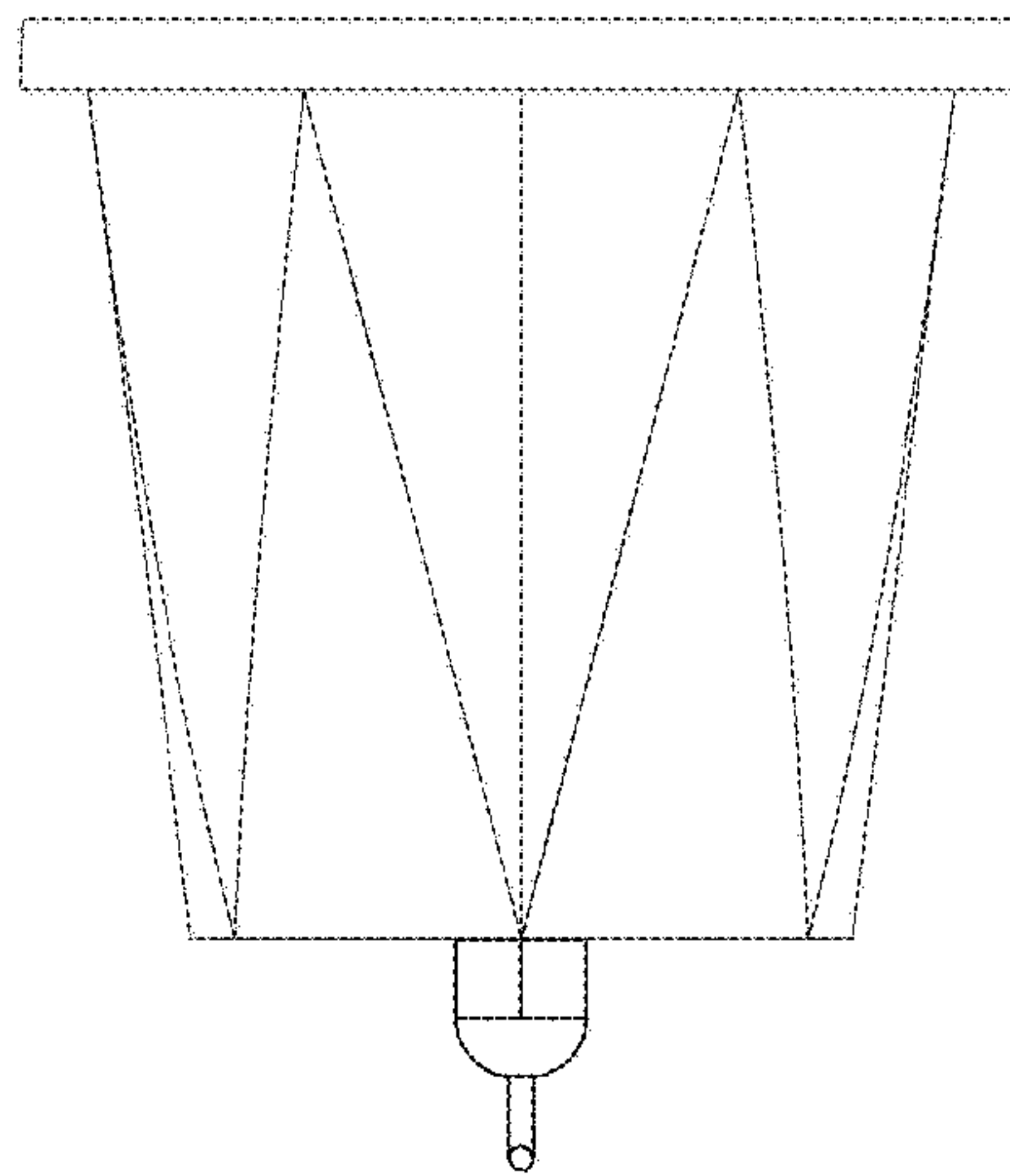


FIG. 6

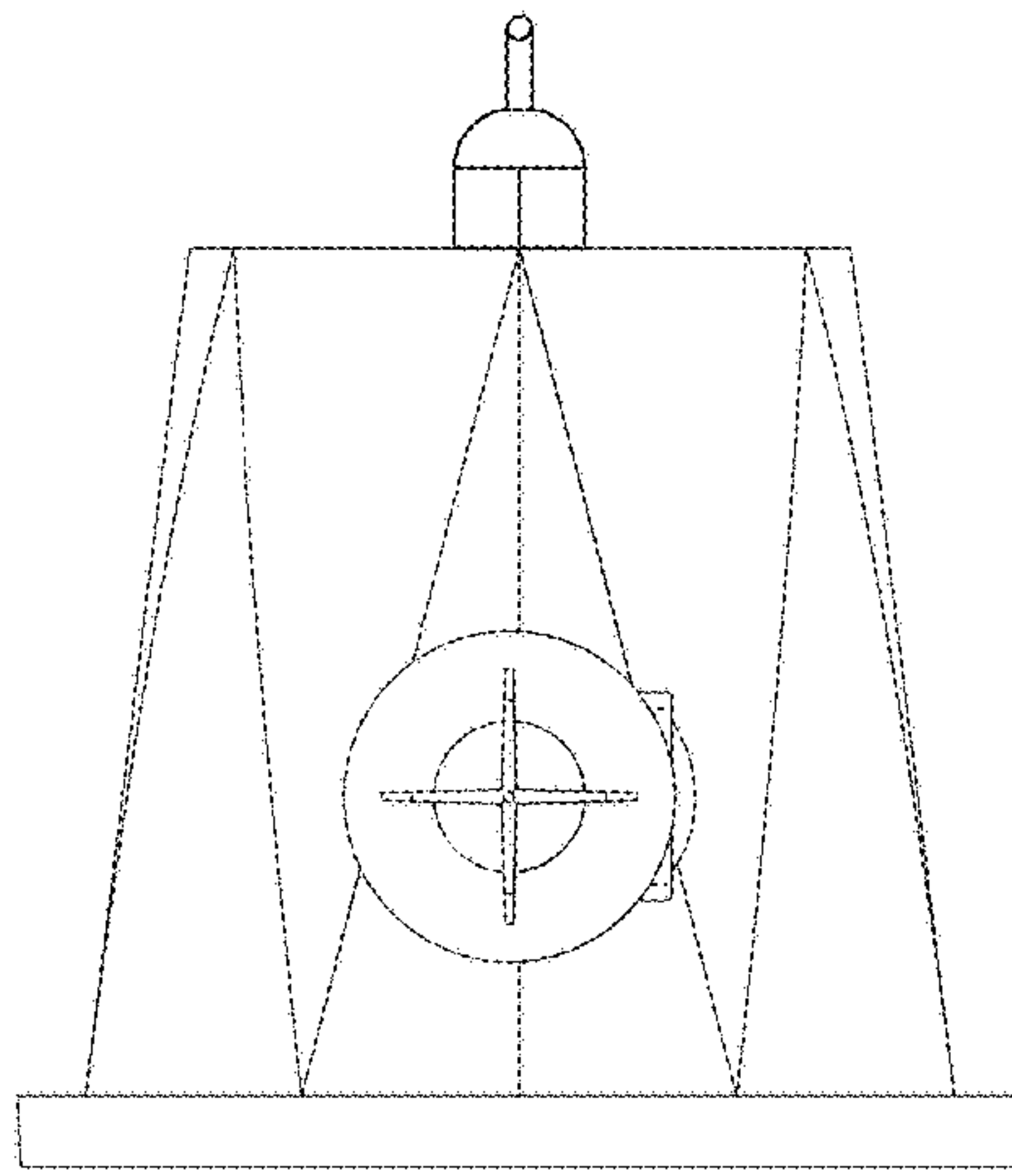


FIG. 7