



US00D841209S

(12) **United States Design Patent**
Boyd et al.

(10) **Patent No.:** **US D841,209 S**

(45) **Date of Patent:** **** Feb. 19, 2019**

(54) **ADJUSTABLE SURGICAL LIGHT DEVICE**

(71) Applicant: **Palmetto Biomedical Inc.**, Durham, NC (US)

(72) Inventors: **Lawrence M. Boyd**, Durham, NC (US); **John J. Ratcliffe**, Raleigh, NC (US)

(73) Assignee: **Palmetto Biomedical Inc.**, Durham, NC (US)

(**) Term: **15 Years**

(21) Appl. No.: **29/632,110**

(22) Filed: **Jan. 5, 2018**

Related U.S. Application Data

(62) Division of application No. 14/177,887, filed on Feb. 11, 2014, now abandoned.

(51) **LOC (11) Cl.** **26-03**

(52) **U.S. Cl.**
USPC **D26/62**

(58) **Field of Classification Search**

USPC D26/1, 24, 60, 61, 62, 72, 93, 106, 110
CPC F21S 6/00; F21S 6/002; F21S 6/003; F21S 6/004; F21S 6/005; F21S 6/006; F21S 6/007; F21V 21/02; F21V 21/088; F21V 21/32; F21V 21/403; F21V 21/406; F21W 2121/00; F21W 2131/30; F21W 2131/205; F21L 4/04; A61B 2019/5209
See application file for complete search history.

(56) **References Cited**

U.S. PATENT DOCUMENTS

2,648,762 A * 8/1953 Dunkelberger F21L 4/04
200/60
4,597,030 A * 6/1986 Brody F21V 21/08
362/572

D411,853 S * 7/1999 Cieslikowski F21V 21/08
396/544

D632,413 S * 2/2011 Teufel D26/62

D773,089 S * 11/2016 Glass F21V 14/06
D26/62

D776,850 S * 1/2017 Hodgson D26/62

* cited by examiner

Primary Examiner — Brian N. Vinson

(74) *Attorney, Agent, or Firm* — Maginot, Moore & Beck, LLP

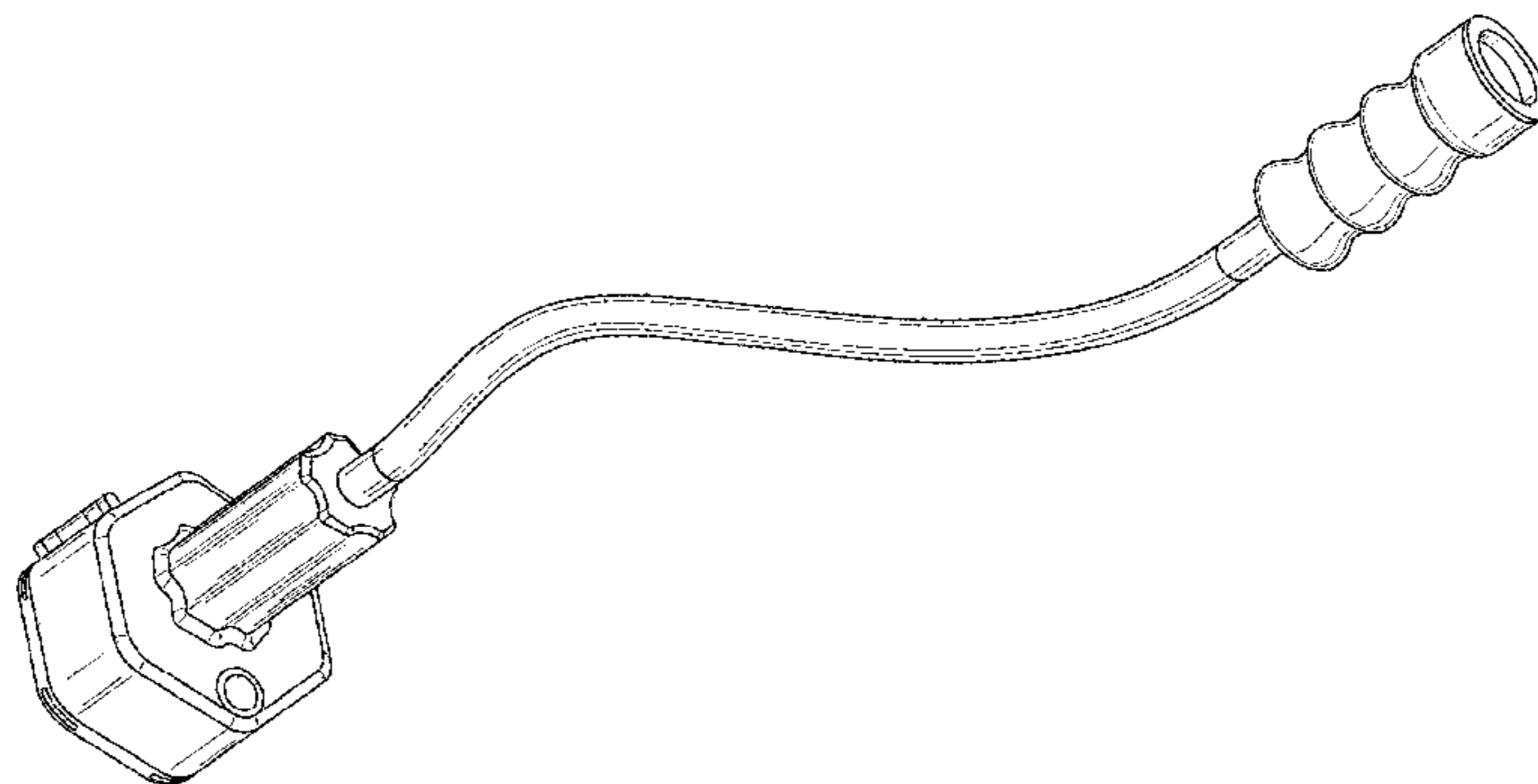
(57) **CLAIM**

The ornamental design for an adjustable surgical light device, as shown and described.

DESCRIPTION

FIG. 1 is a front perspective view of a design for an adjustable surgical light device, with the light and arm supporting the light shown in a one adjustable position; FIG. 2 is a side elevational view of the design shown in FIG. 1, with the light and arm supporting the light shown in another adjustable position; FIG. 3 is a side elevational view of the design shown in FIG. 1, rotated 90° from the view in FIG. 2 with the light and arm supporting the light shown in the adjustable position depicted in FIG. 2; FIG. 4 is a top elevational view of the design shown in FIG. 1, with the light and arm supporting the light shown in the adjustable position depicted in FIG. 2; and, FIG. 5 is a bottom elevational view of the design shown in FIG. 1.

1 Claim, 4 Drawing Sheets



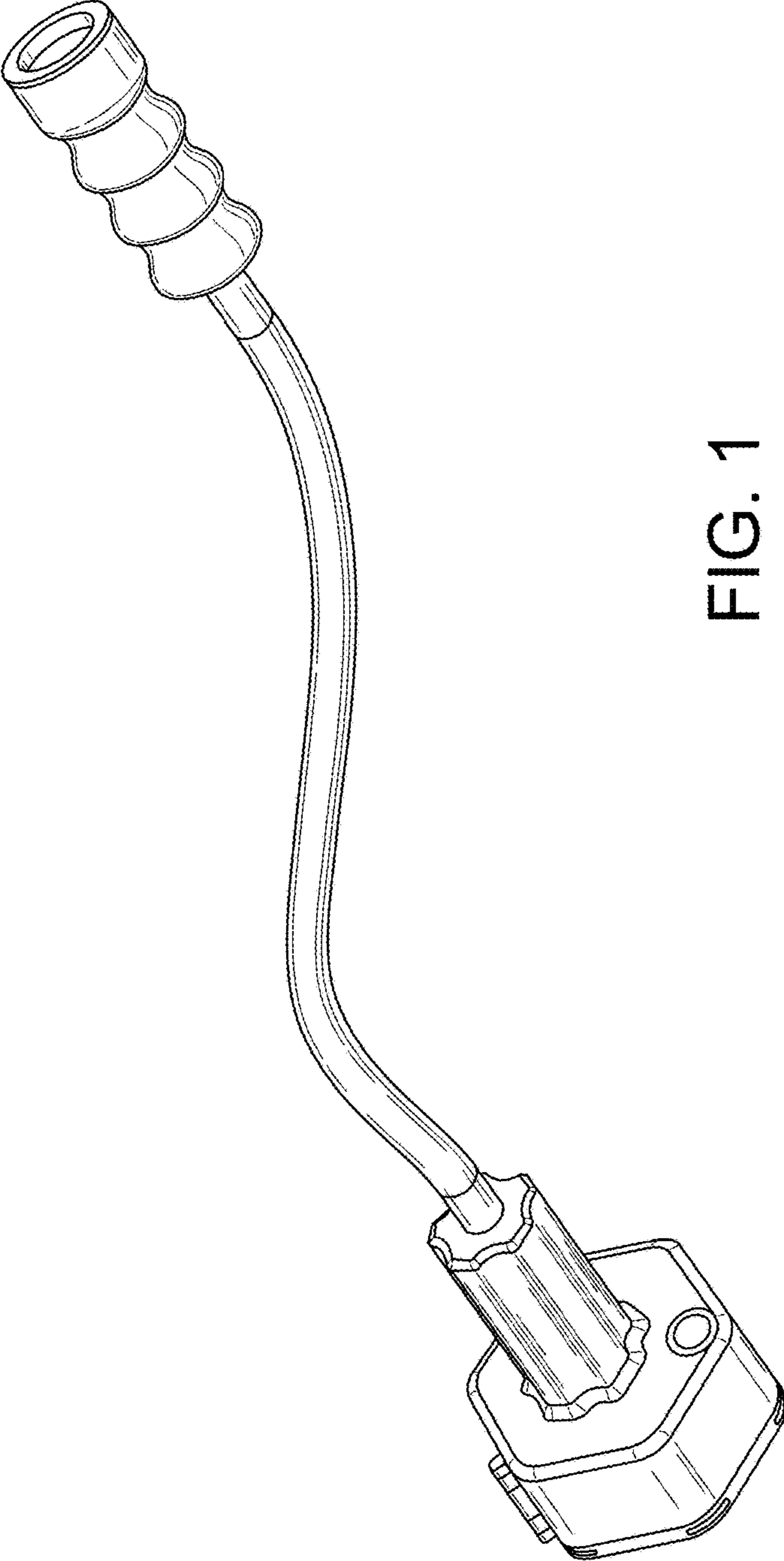


FIG. 1

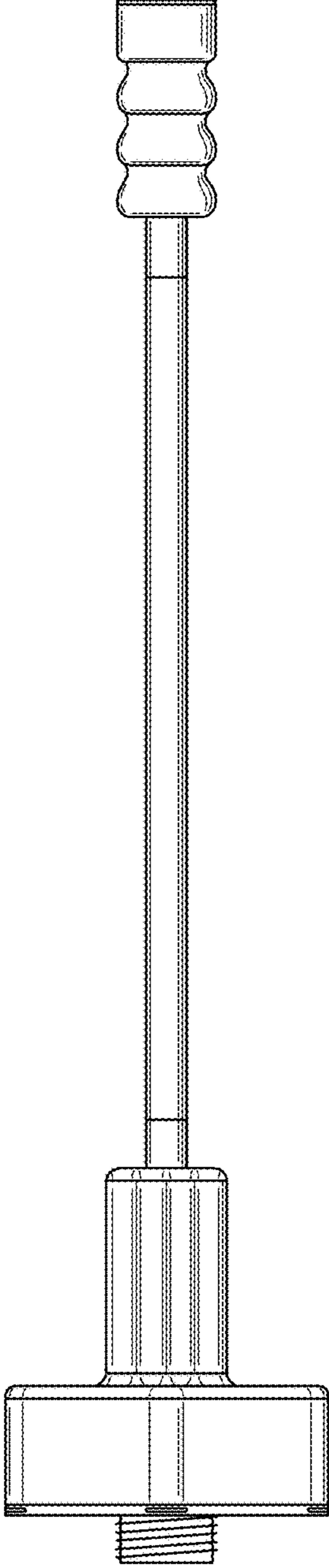


FIG. 2

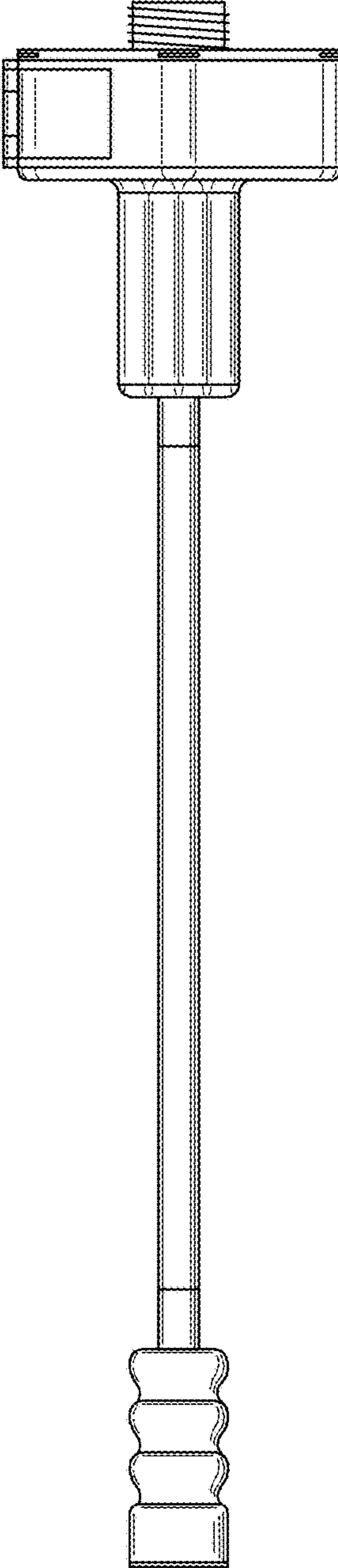


FIG. 3

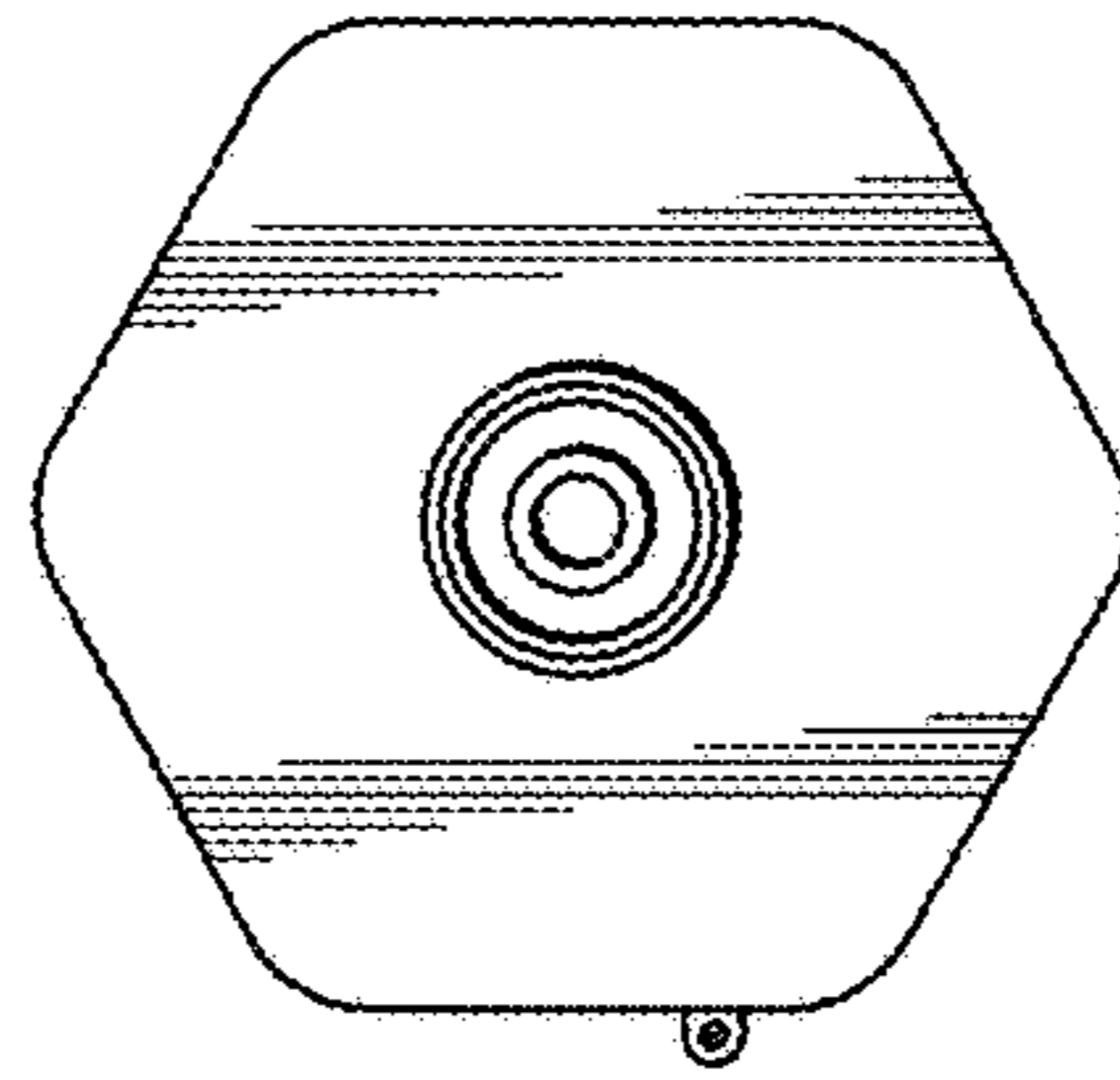


FIG. 5

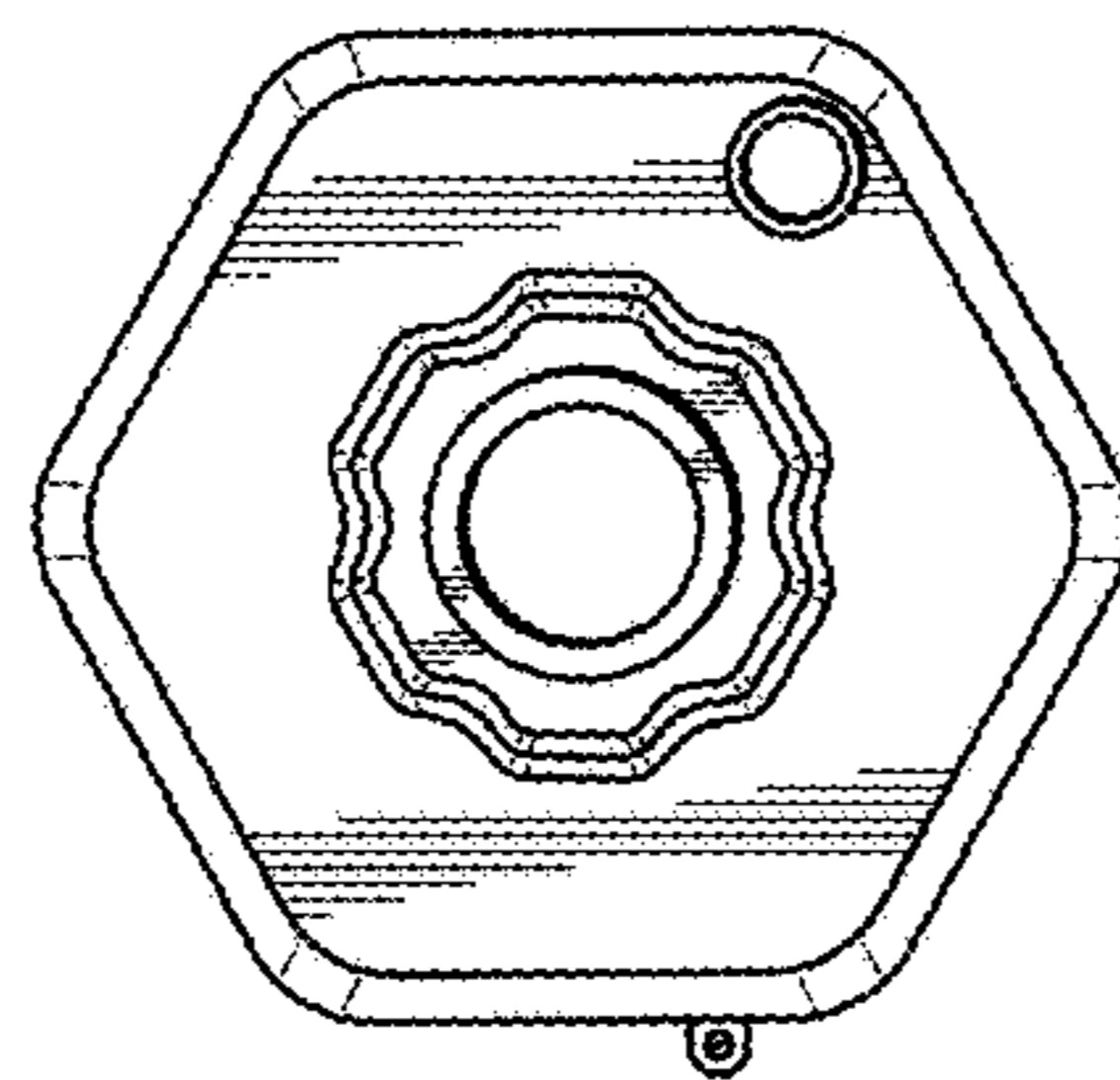


FIG. 4