



US00D841205S

(12) **United States Design Patent** (10) **Patent No.:** **US D841,205 S**
Dai (45) **Date of Patent:** **** Feb. 19, 2019**

(54) **LED HEADLIGHT**

(71) Applicant: **Xiong Dai**, Dongguan (CN)

(72) Inventor: **Xiong Dai**, Dongguan (CN)

(**) Term: **15 Years**

(21) Appl. No.: **29/608,945**

(22) Filed: **Jun. 27, 2017**

(51) **LOC (11) Cl.** **26-06**

(52) **U.S. Cl.**
USPC **D26/28**

(58) **Field of Classification Search**

USPC D26/28-36

CPC F21S 48/00; F21S 48/10; F21S 48/115;
F21S 48/225; F21S 48/1233; F21S
48/1266; F21S 48/1388; F21S 48/2268;
F21V 21/04; B60Q 9/13; B60Q 9/135;
B60Q 9/1375

See application file for complete search history.

(56) **References Cited**

U.S. PATENT DOCUMENTS

D720,483 S	*	12/2014	Saddig	D26/28
D740,984 S	*	10/2015	Chen	D26/28
D769,487 S	*	10/2016	Ma	D26/28
D769,490 S	*	10/2016	Ma	D26/28
D777,961 S	*	1/2017	Wu	D26/28

* cited by examiner

Primary Examiner — Marcus A Jackson

(74) *Attorney, Agent, or Firm* — Wayne & Ken, LLC;
Tony Hom

(57) **CLAIM**

The ornamental design for a led headlight, as shown and described.

DESCRIPTION

FIG. 1-1 is a front elevational view of a led headlight showing my new design;

FIG. 1-2 is a rear elevational view of FIG. 1-1;

FIG. 1-3 is a left side elevational view of FIG. 1-1;

FIG. 1-4 is a right side elevational view of FIG. 1-1;

FIG. 1-5 is a top plan view of FIG. 1-1;

FIG. 1-6 is a bottom plan view of FIG. 1-1;

FIG. 1-7 is a perspective view of FIG. 1-1;

FIG. 1-8 is a changing status view of FIG. 1-7;

FIG. 2-1 is a front elevational view of another led headlight showing my new design;

FIG. 2-2 is a rear elevational view of FIG. 2-1;

FIG. 2-3 is a left side elevational view of FIG. 2-1;

FIG. 2-4 is a right side elevational view of FIG. 2-1;

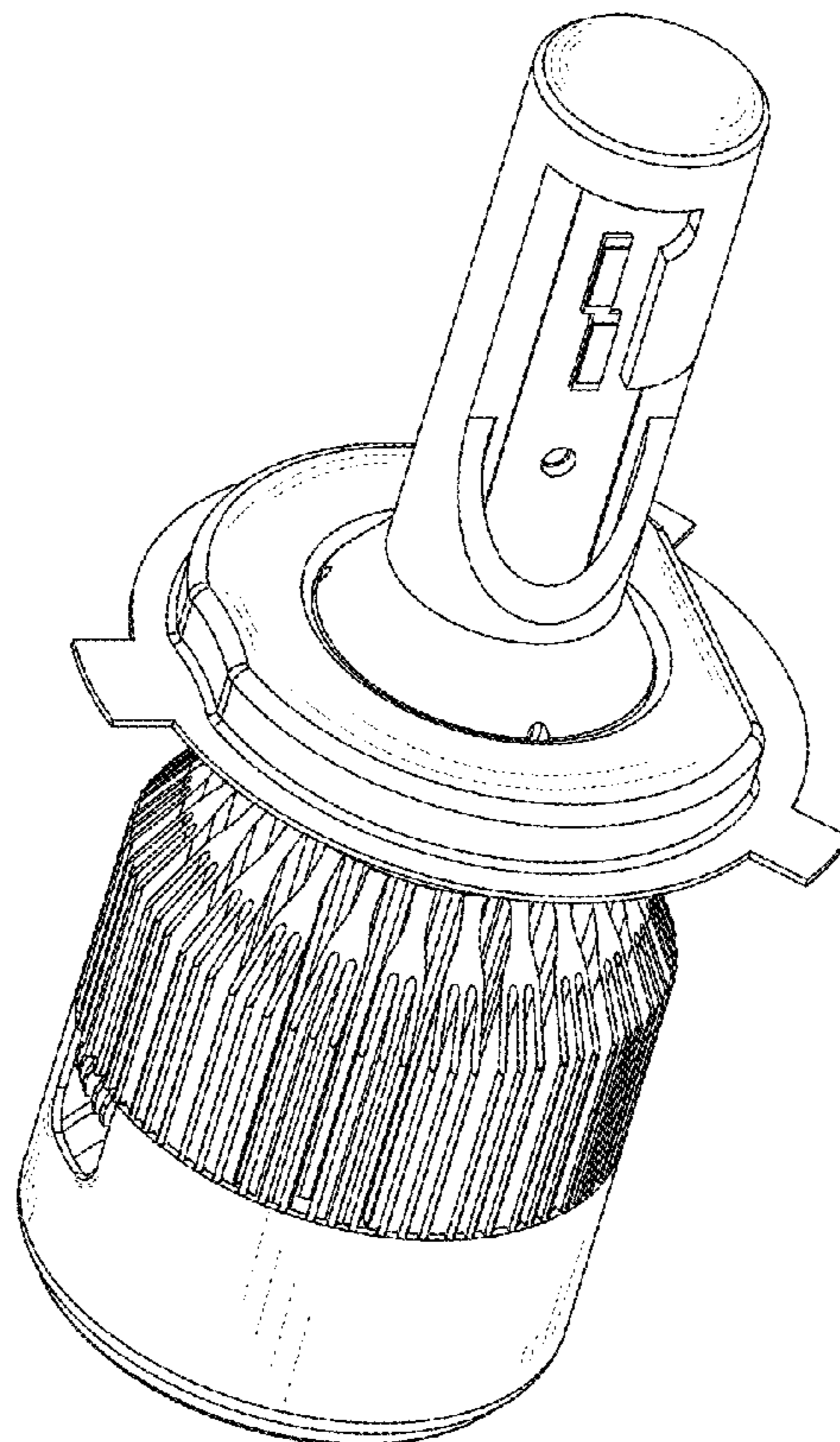
FIG. 2-5 is a top plan view of FIG. 2-1;

FIG. 2-6 is a bottom plan view of FIG. 2-1;

FIG. 2-7 is a perspective view of FIG. 2-1; and,

FIG. 2-8 is a changing status view of FIG. 2-7.

1 Claim, 14 Drawing Sheets



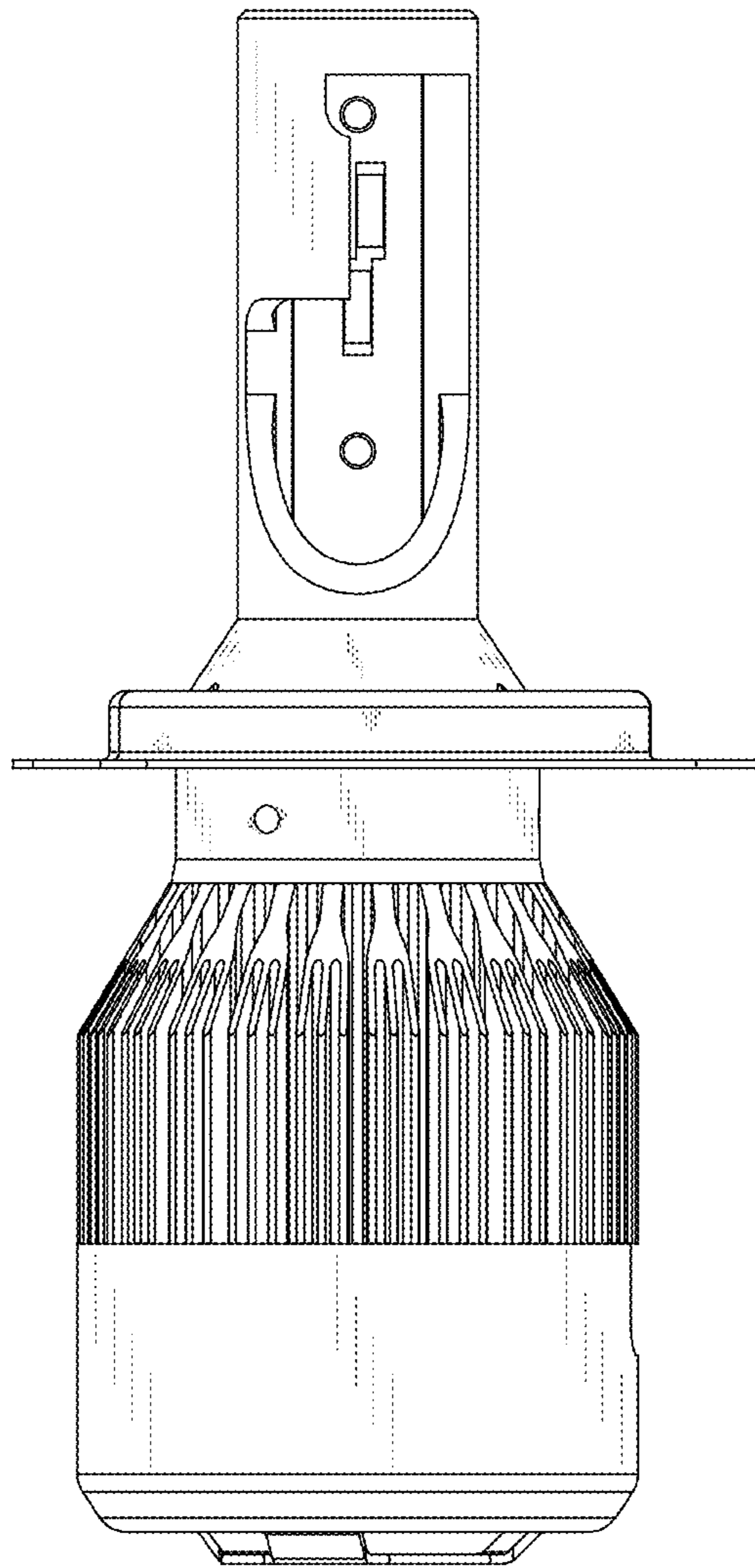


FIG. 1

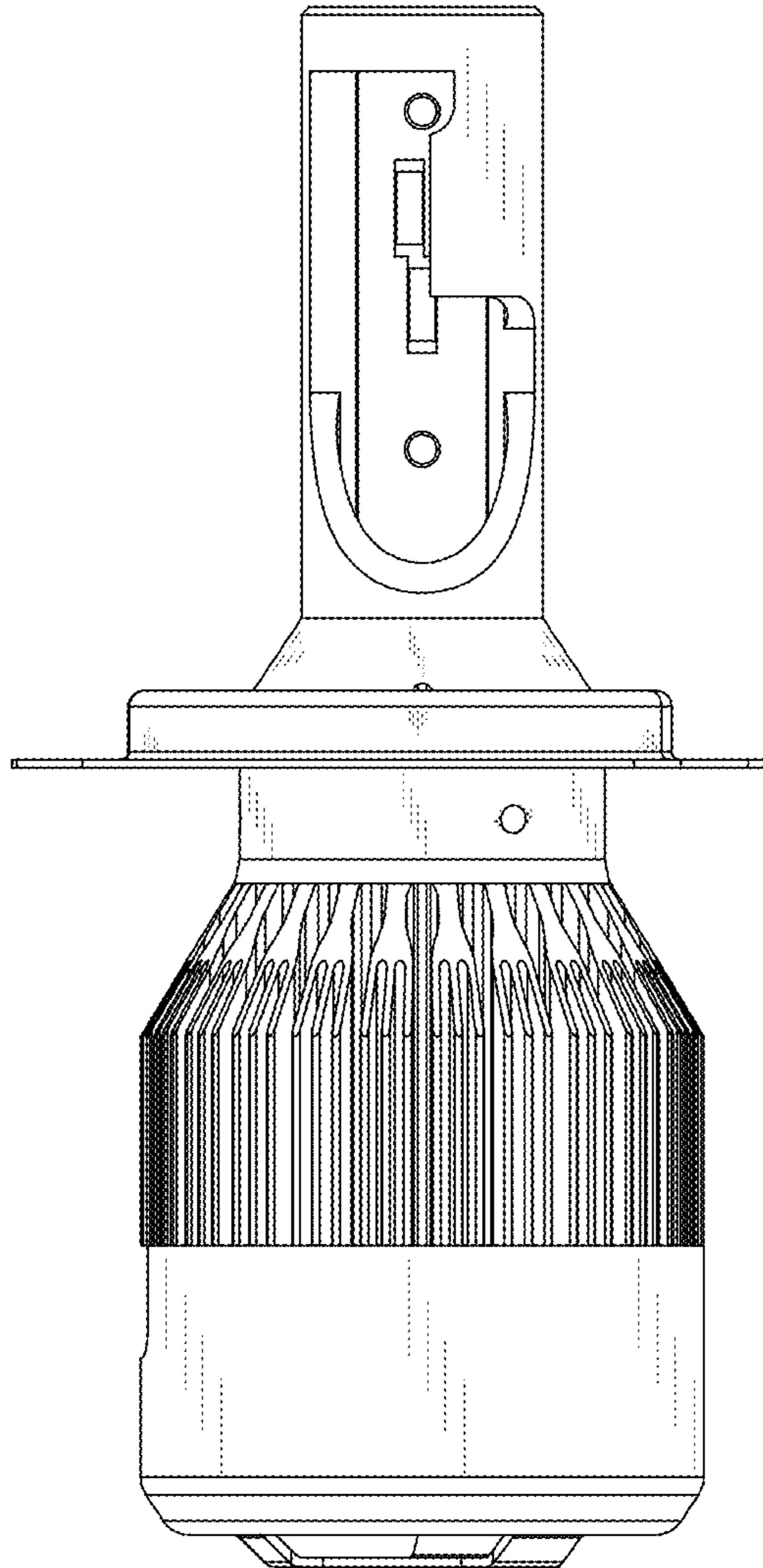


FIG. 2

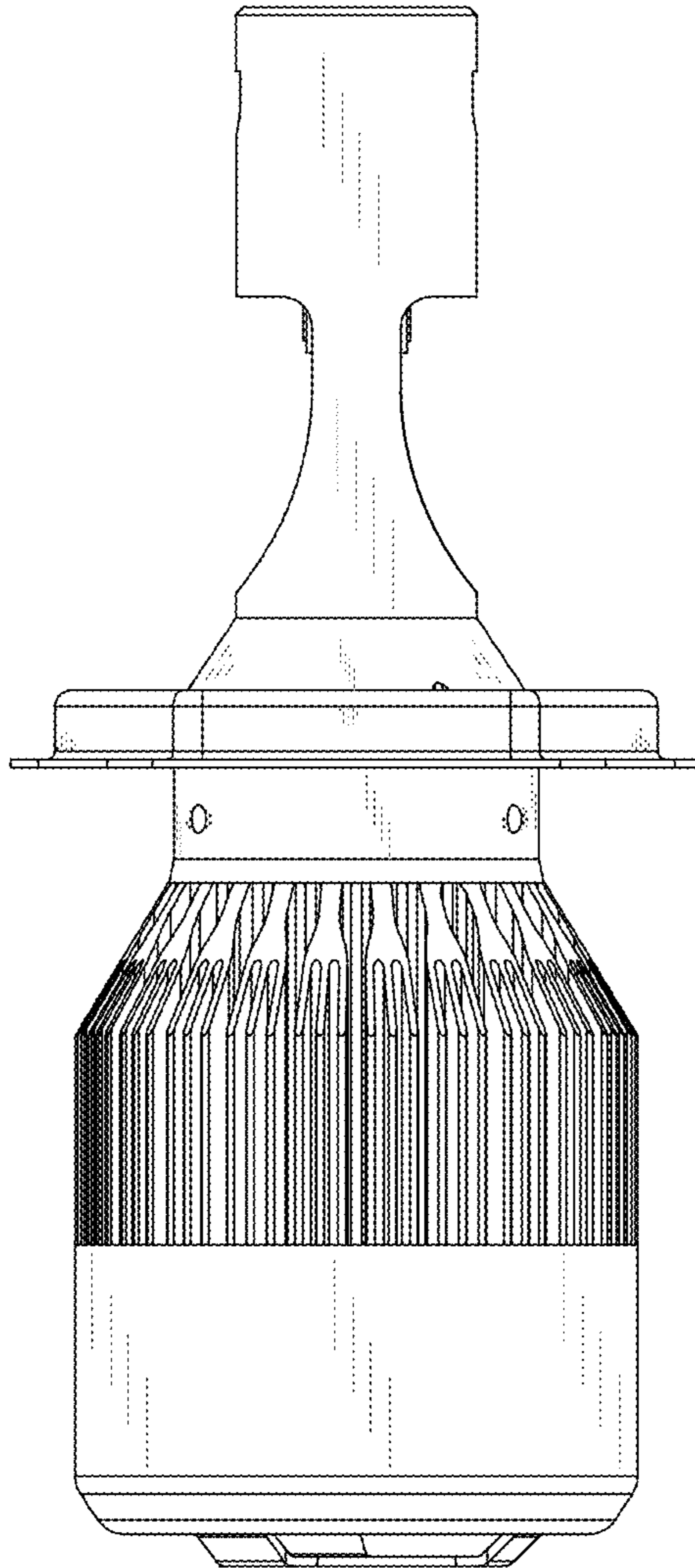


FIG. 3

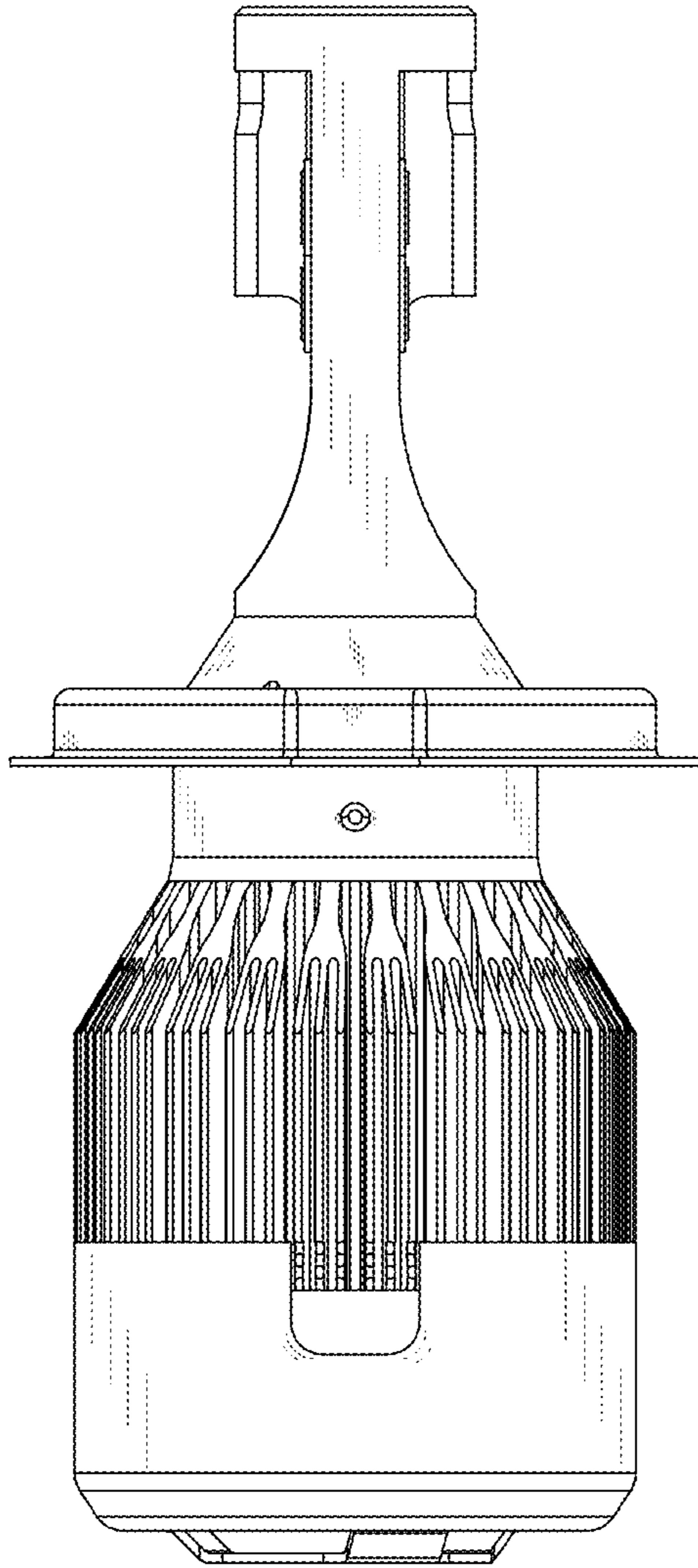


FIG. 4

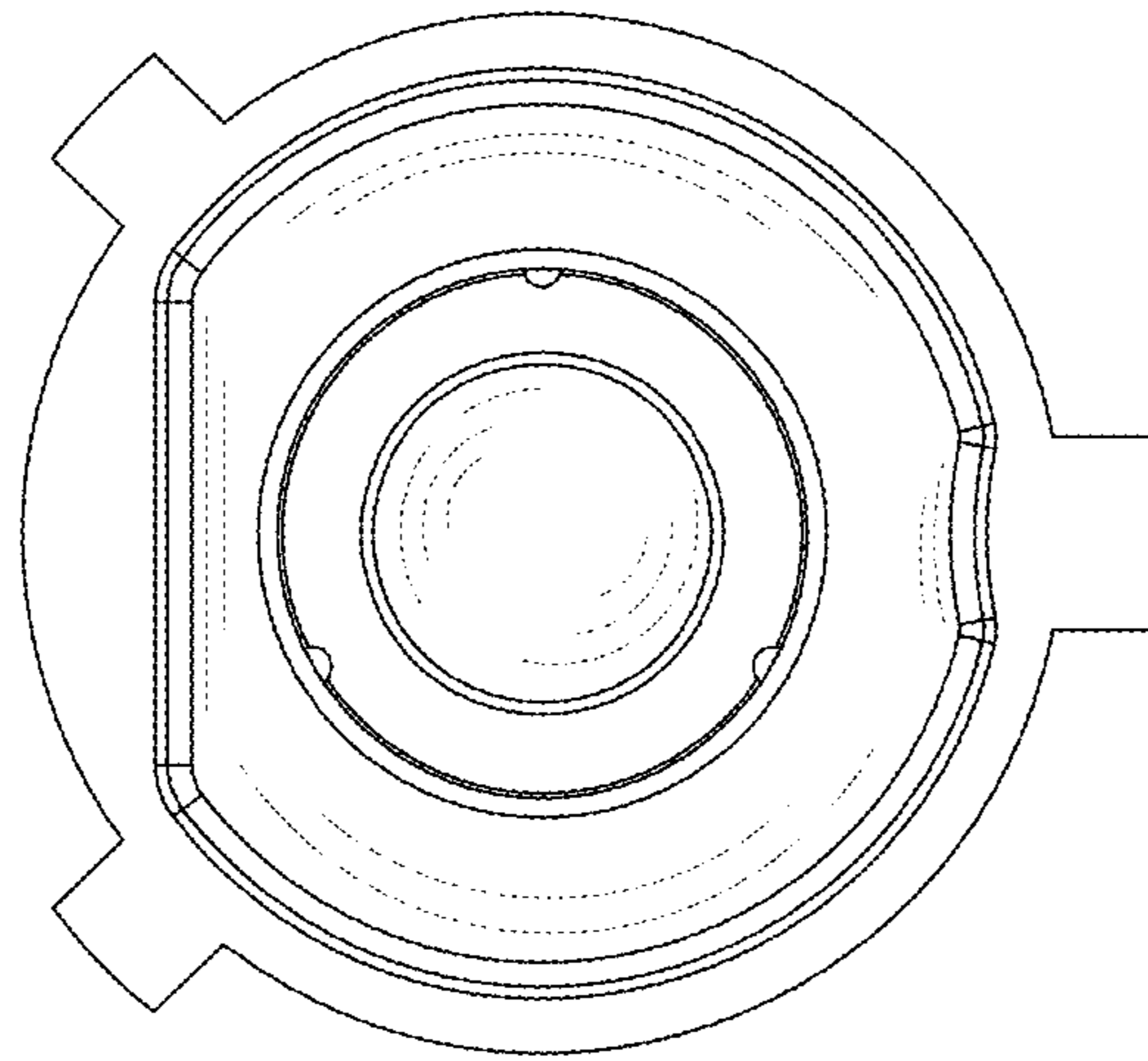


FIG. 5

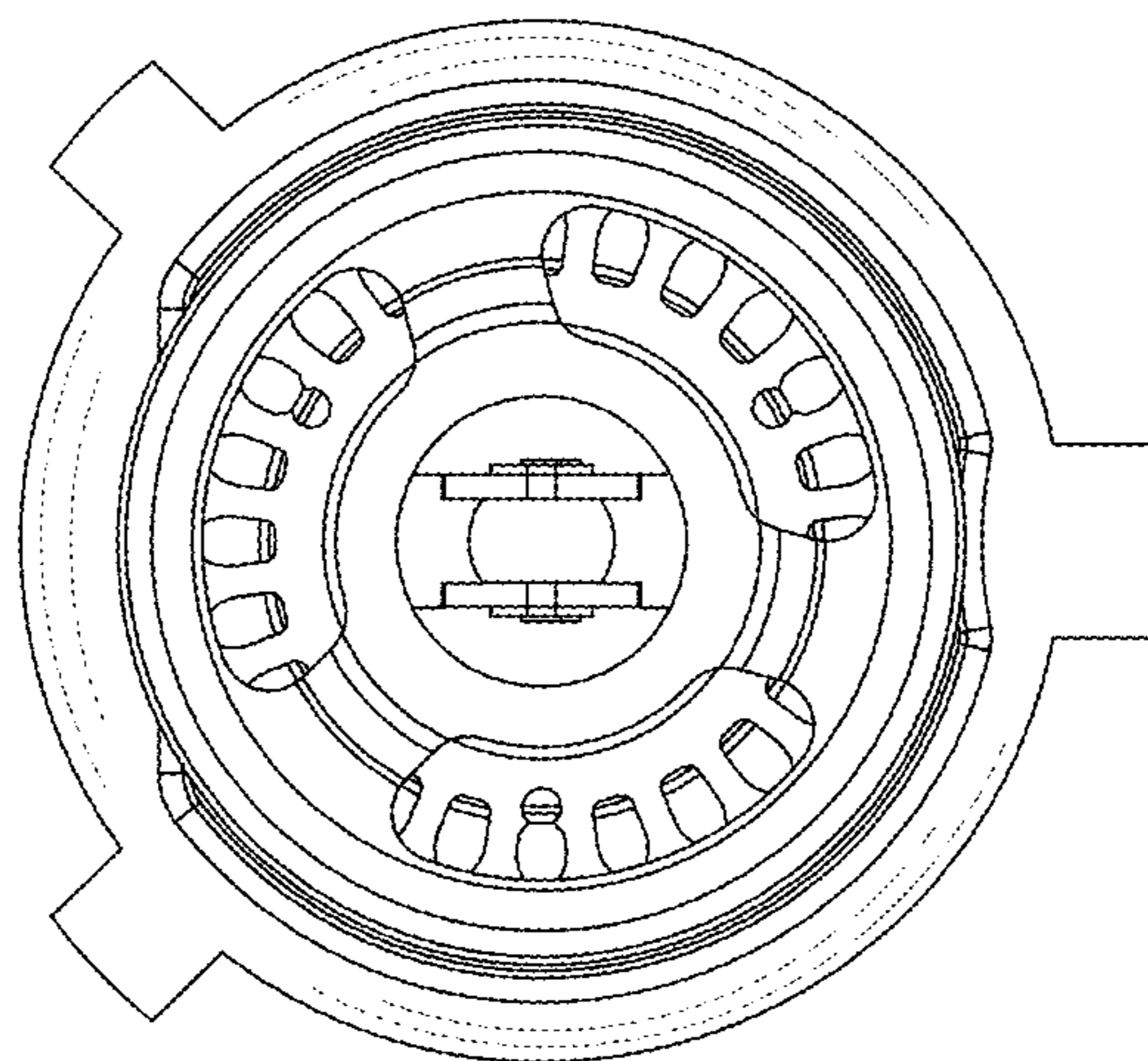


FIG. 6

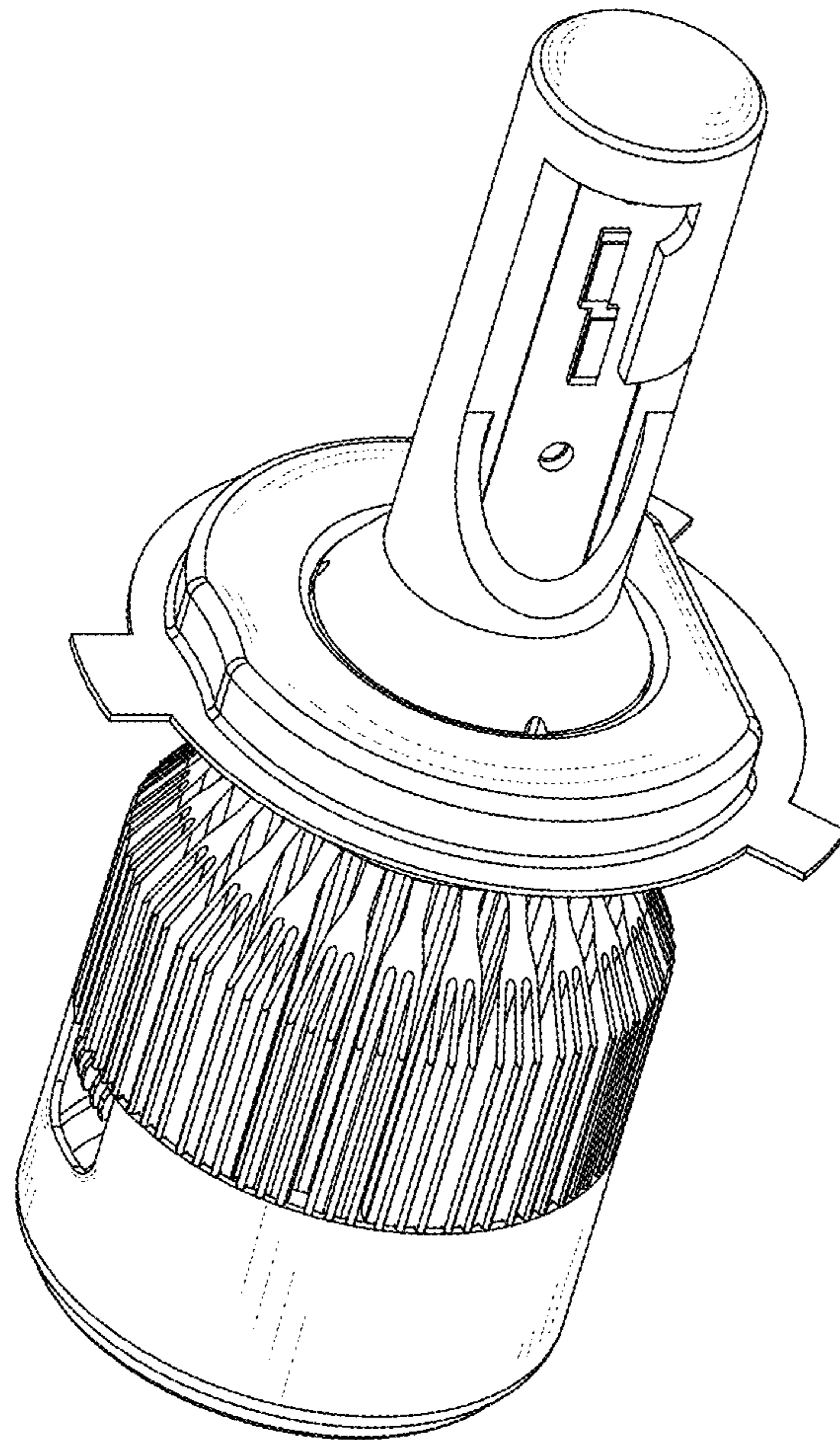


FIG. 7

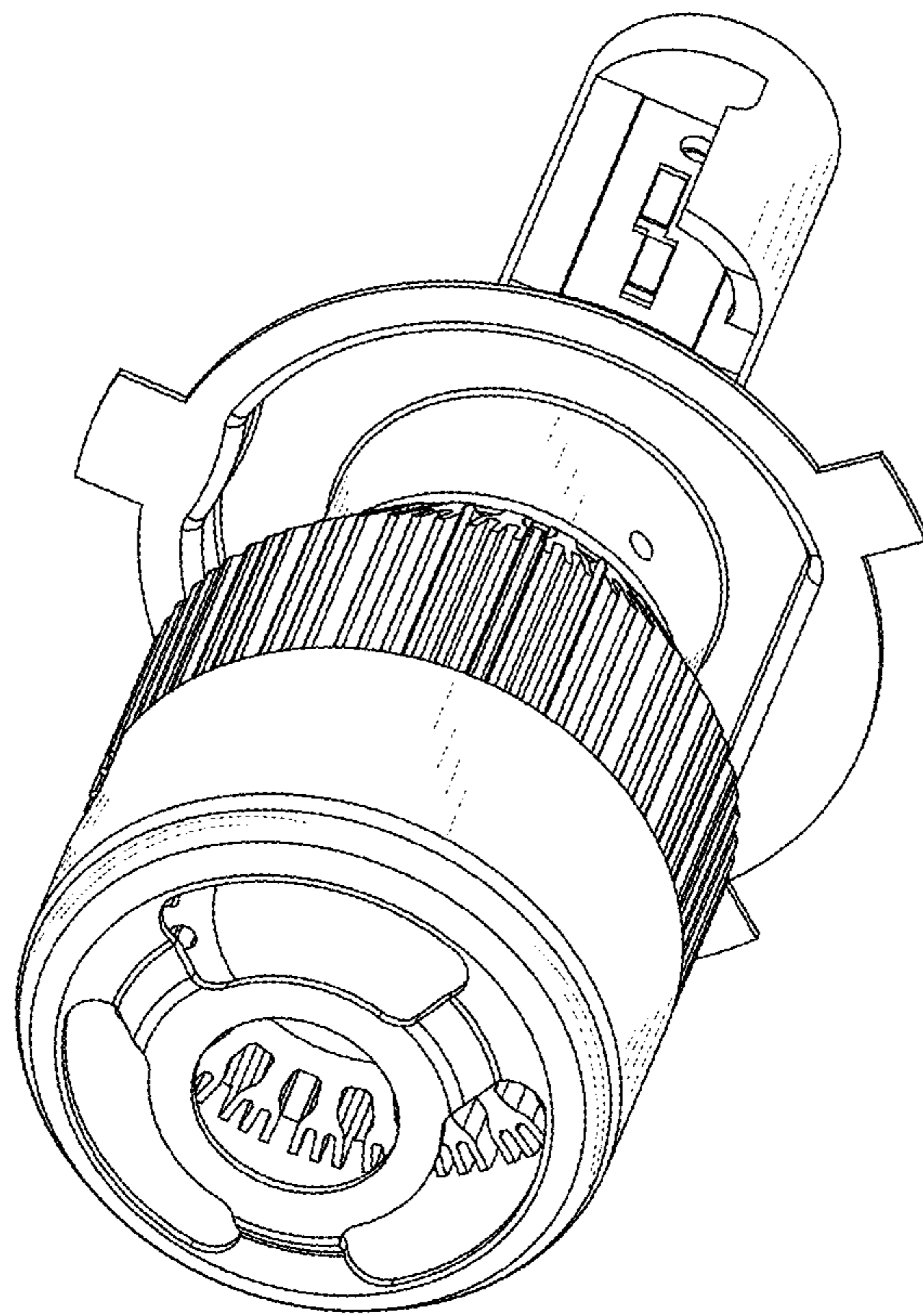


FIG. 8

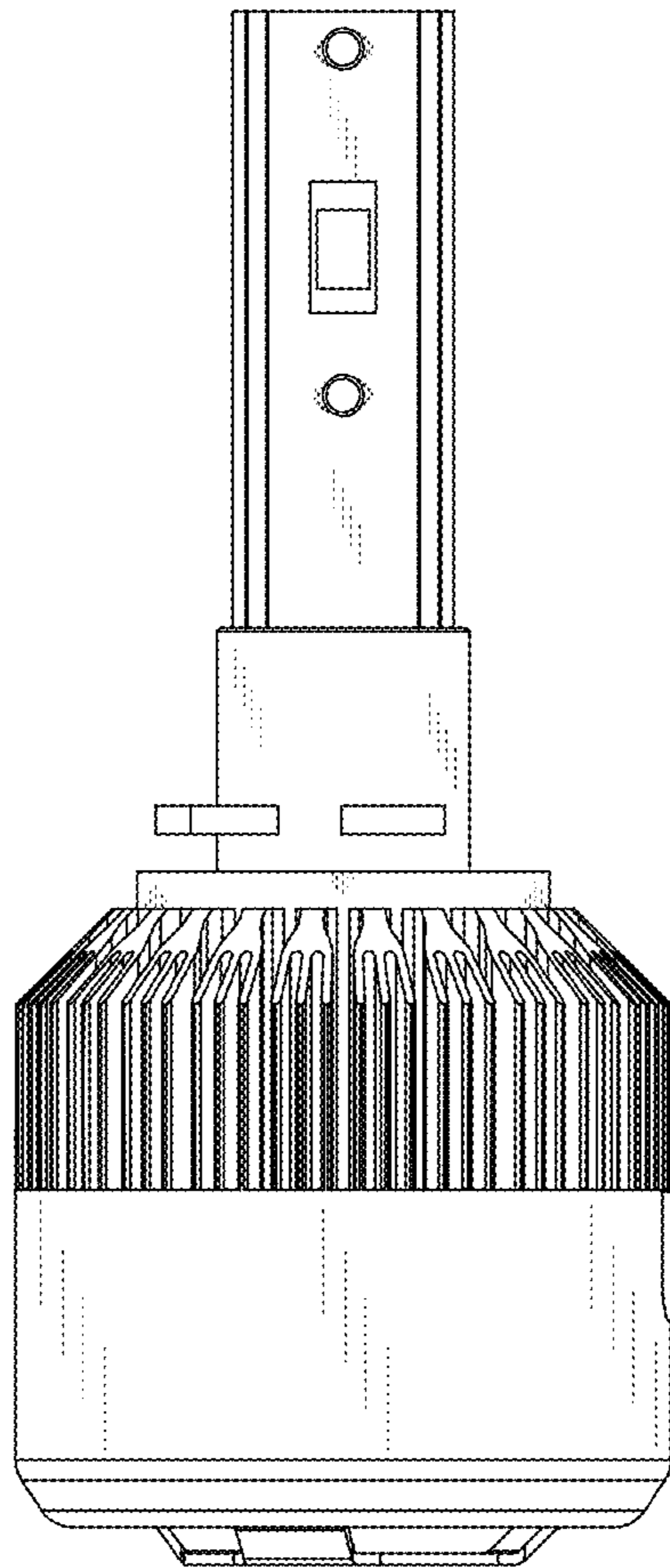


FIG. 9

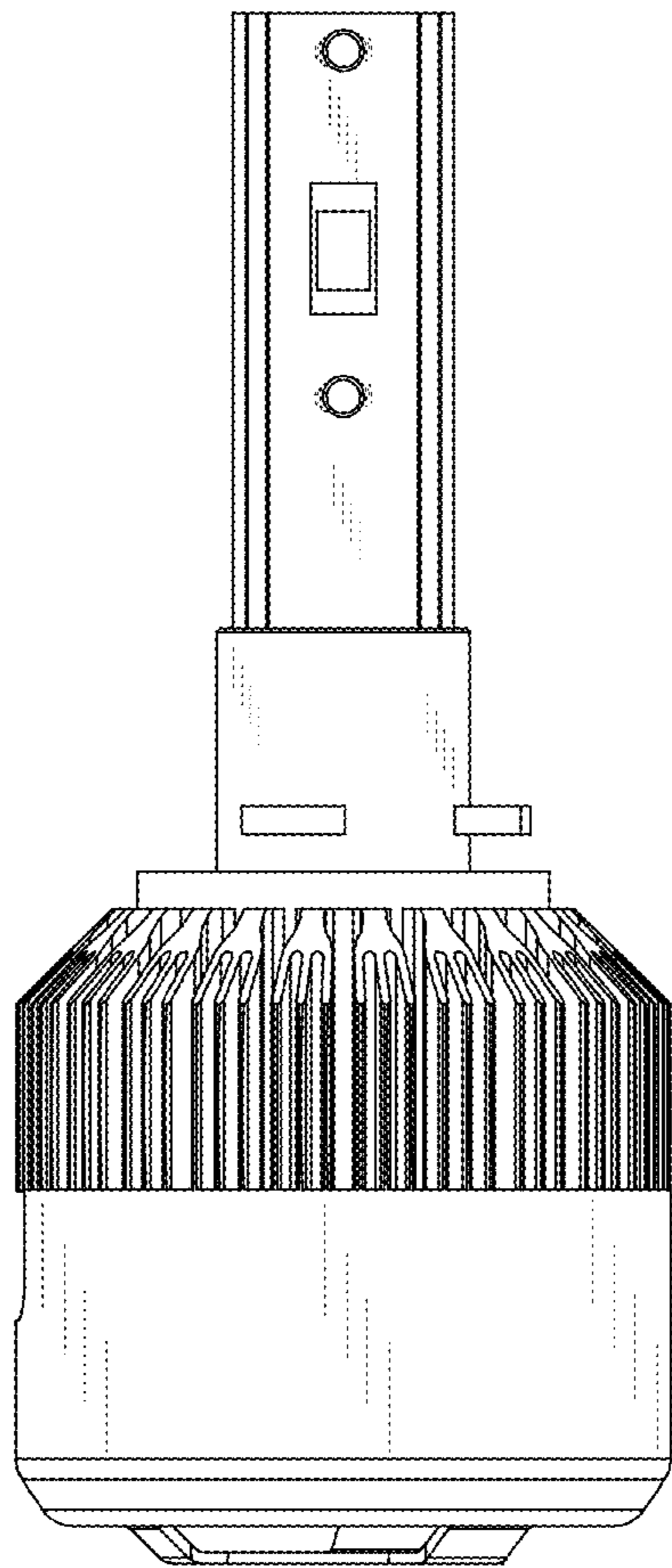


FIG. 10

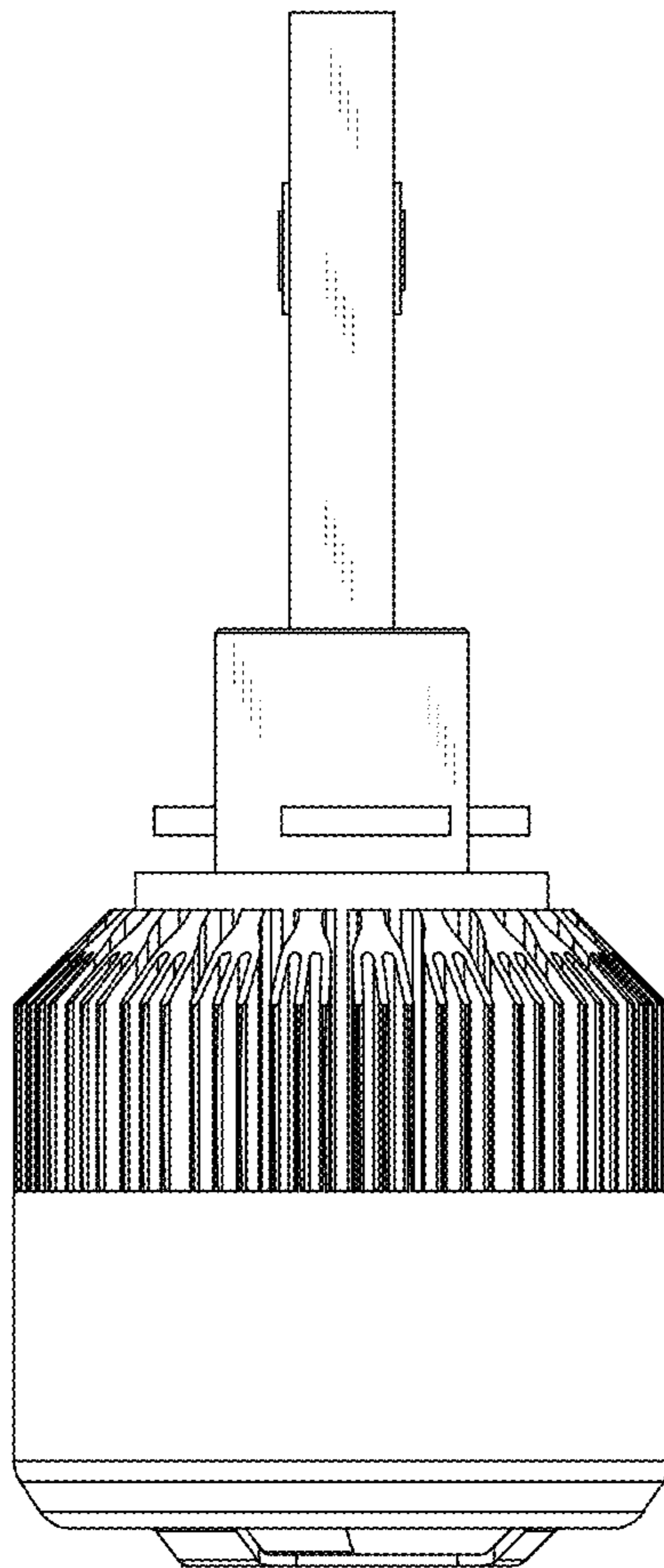


FIG. 11

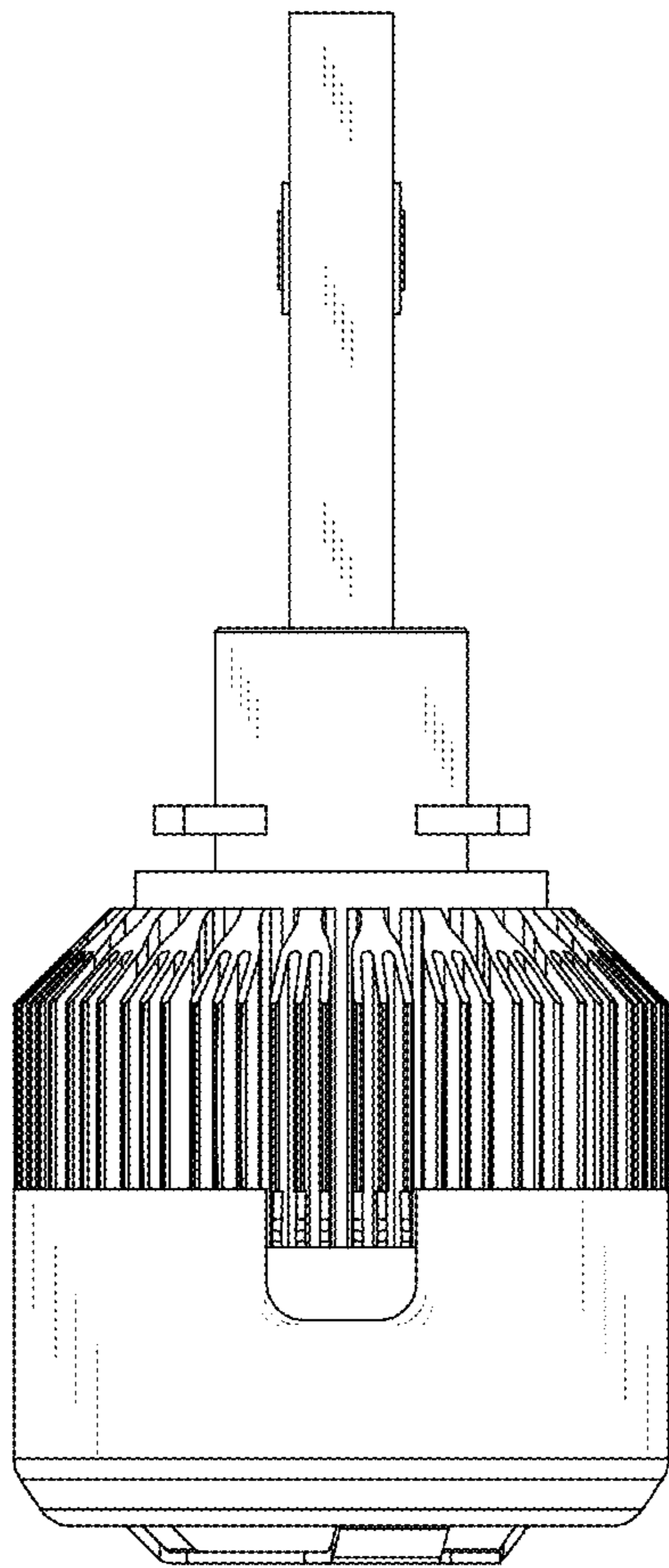


FIG. 12

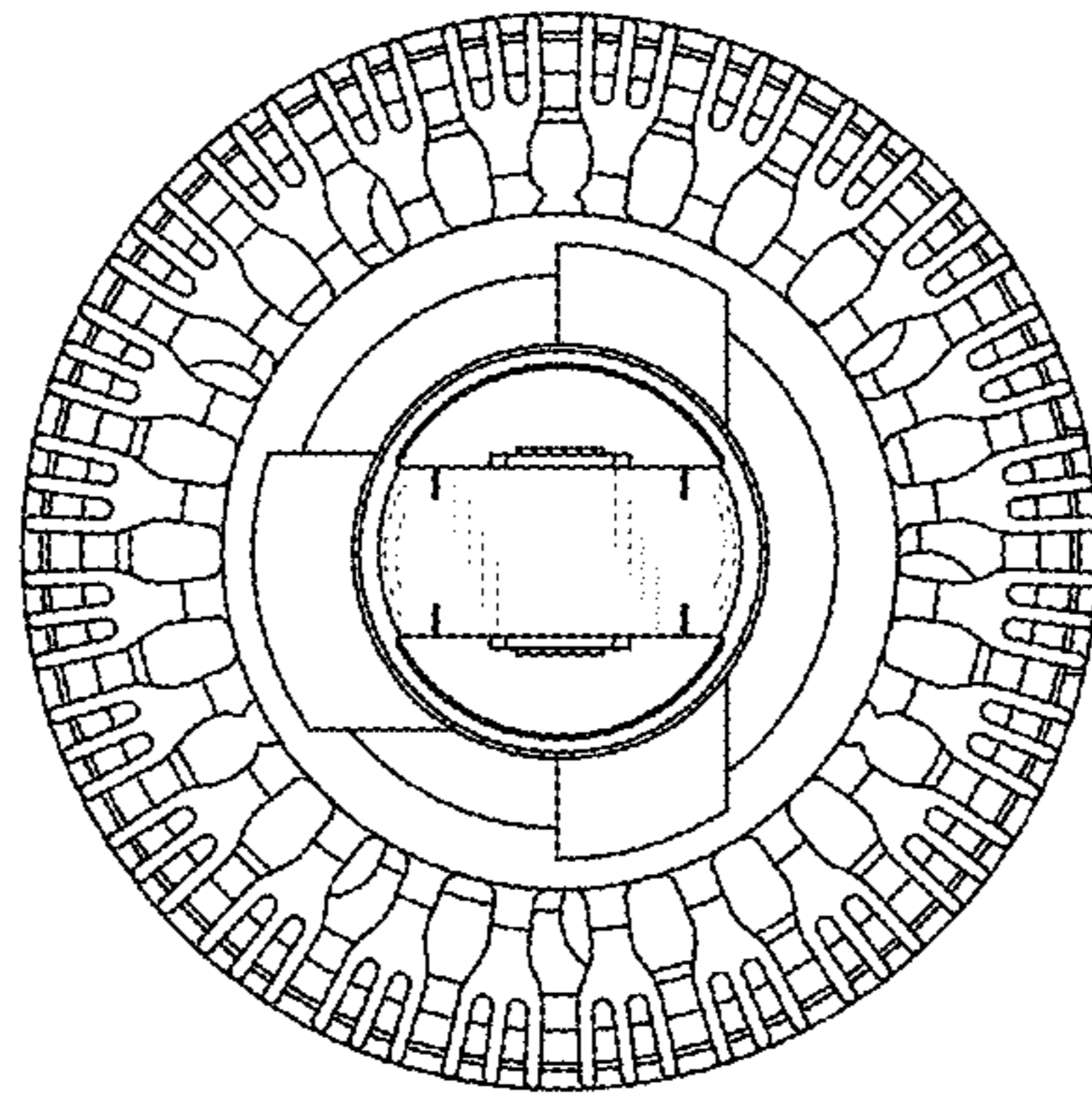


FIG. 13

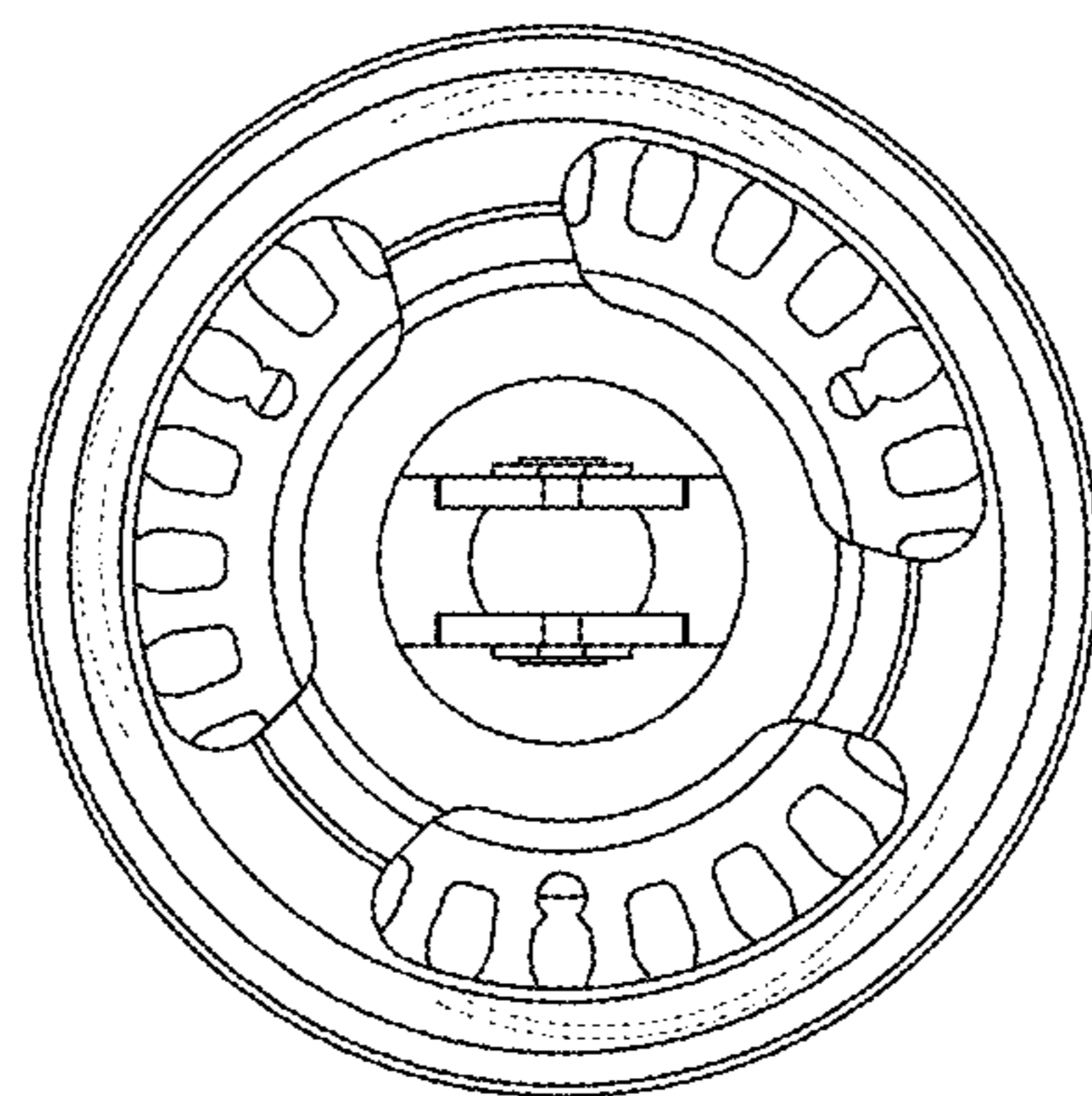


FIG. 14

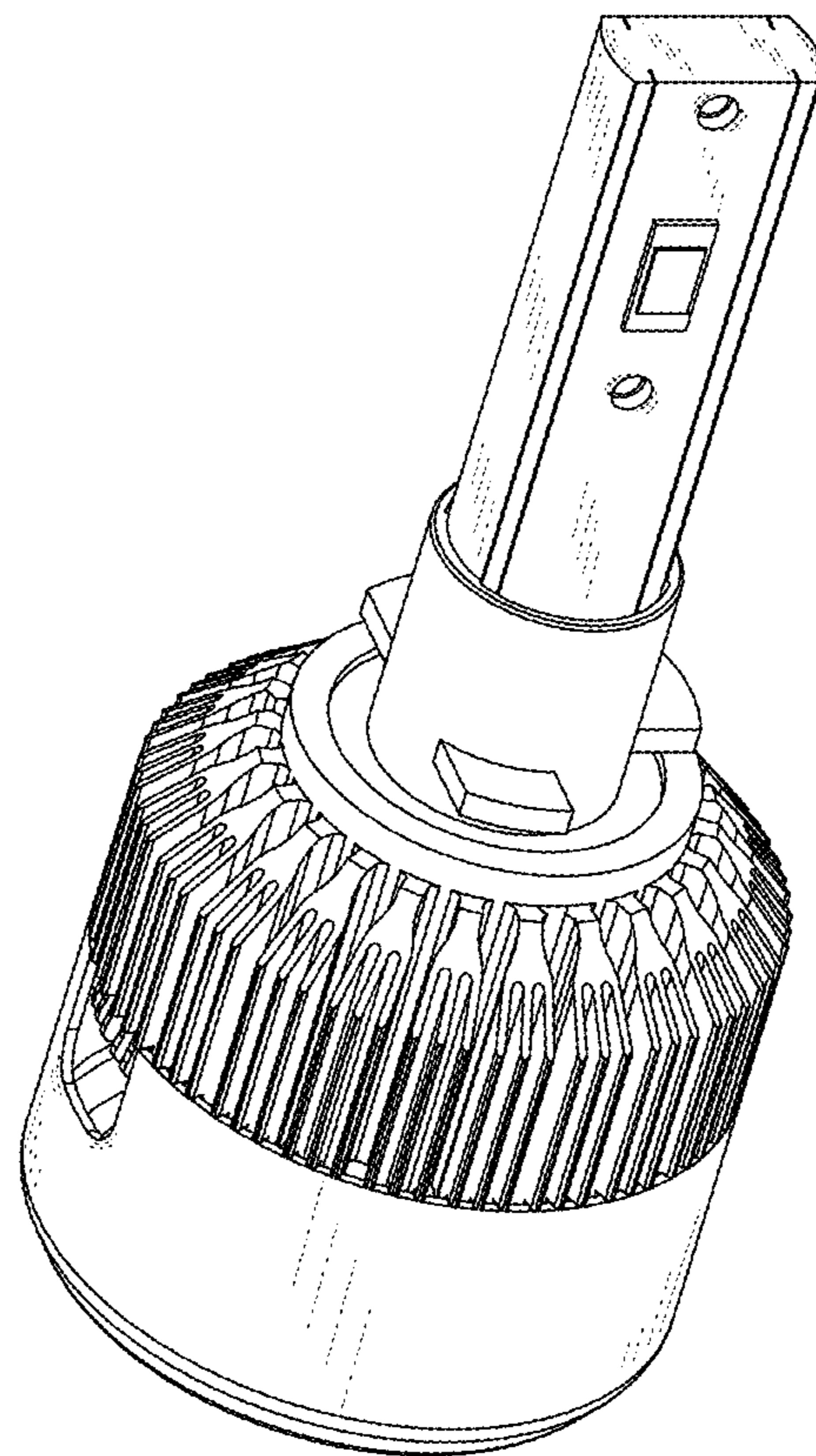


FIG. 15

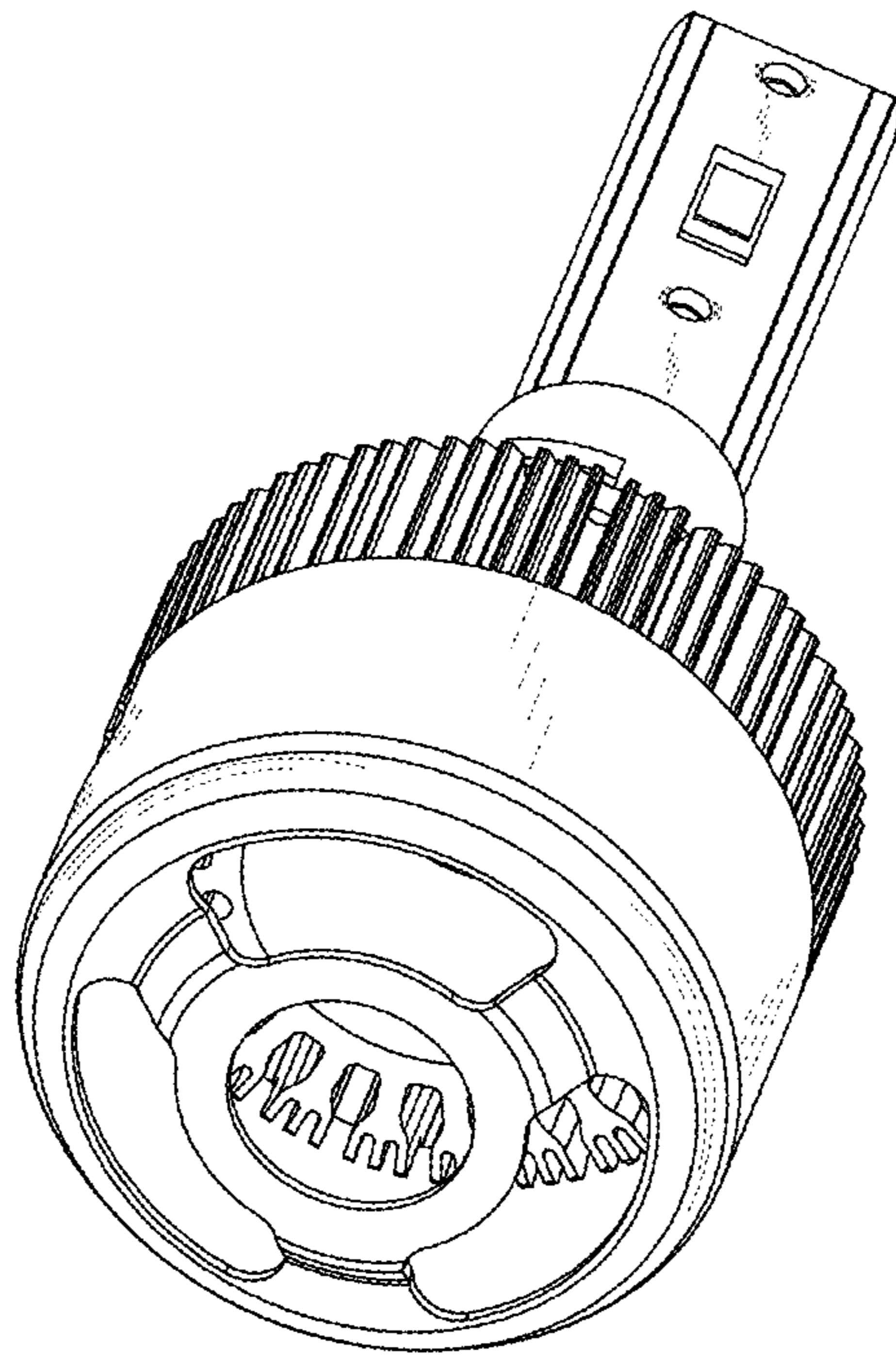


FIG. 16