



US00D841201S

(12) **United States Design Patent** (10) **Patent No.:** **US D841,201 S**
Badstuebner et al. (45) **Date of Patent:** **** Feb. 19, 2019**

(54) **HEADLIGHT FOR A VEHICLE**
(71) Applicant: **Daimler AG**, Stuttgart (DE)
(72) Inventors: **Achim-Dietrich Badstuebner**, Munich (DE); **Denis Di Pardo**, Nufringen (DE); **Stefan Handt**, Stuttgart (DE); **Robert Lesnik**, Leonberg (DE)

D743,065 S * 11/2015 Weil D26/28
D787,721 S * 5/2017 Lai D26/28
D797,332 S * 9/2017 Lin D26/28
D802,812 S * 11/2017 Lai D26/28
D807,549 S * 1/2018 Lin D26/28
D809,682 S * 2/2018 Lin D26/28
D822,241 S * 7/2018 Lee D26/28
D822,242 S * 7/2018 Lee D26/28
D824,058 S * 7/2018 Hong D26/28
D827,885 S * 9/2018 Hannemann D26/28

(73) Assignee: **Daimler AG**, Stuttgart (DE)

* cited by examiner

(**) Term: **15 Years**

Primary Examiner — Angela J Lee

(21) Appl. No.: **29/603,164**

(74) Attorney, Agent, or Firm — Crowell & Moring LLP

(22) Filed: **May 8, 2017**

(57) **CLAIM**

(30) **Foreign Application Priority Data**

The ornamental design for a headlight for a vehicle, as shown and described.

Nov. 9, 2016 (WO) DM/094813

DESCRIPTION

(51) **LOC (11) Cl.** **26-07**

(52) **U.S. Cl.**
USPC **D26/28**

(58) **Field of Classification Search**
USPC D26/28, 29, 30, 31, 32, 33, 34, 35, 36;
362/459–468, 475–478, 485–487
CPC F21S 48/00; F21S 48/10; F21S 48/115;
F21S 48/225; F21S 48/1233; F21S
48/1266; F21S 48/1388; F21S 48/2268;
F21V 21/04
See application file for complete search history.

This application contains subject matter related to the following co-pending U.S. design patent applications: Application Ser. No. 29/602,162, filed herewith and entitled “Vehicle, Toy, and/or Replicas Thereof”; and Application Ser. No. 29/602,163, filed herewith and entitled “Headlight for a Vehicle”.

FIG. 1 is a right perspective view of a first embodiment of a headlight for a vehicle according to the design;

FIG. 2 is a front view thereof;

FIG. 3 is a right side view thereof; and

FIG. 4 is a top view thereof.

FIG. 5 is a left perspective view of a second embodiment of the headlight for a vehicle according to the design;

FIG. 6 is a front view thereof;

FIG. 7 is a left side view thereof; and,

FIG. 8 is a top view thereof.

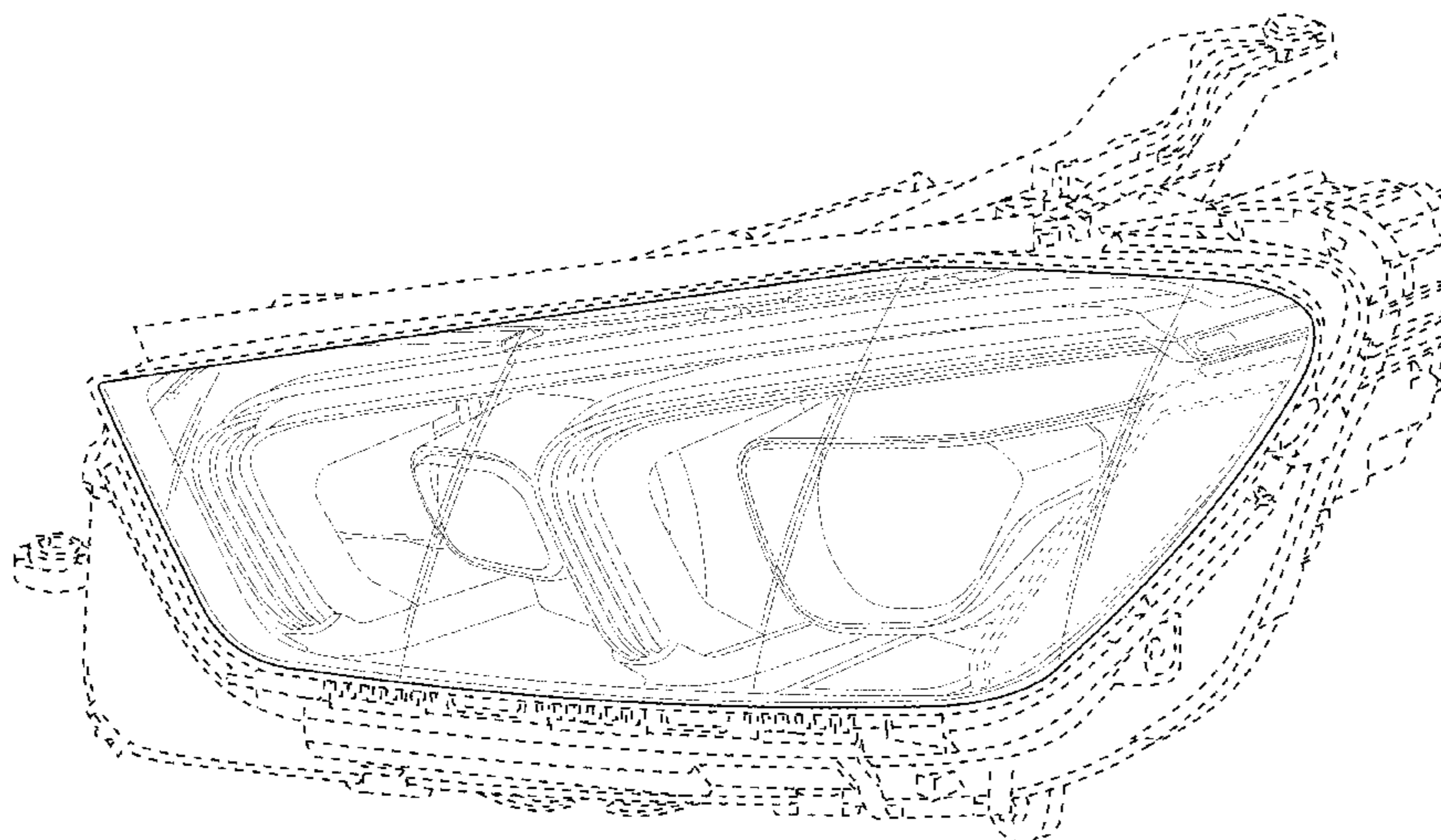
The broken lines in the drawings illustrate environmental subject matter only and form no part of the claimed design.

(56) **References Cited**

U.S. PATENT DOCUMENTS

D593,233 S * 5/2009 Bai D26/28
D643,339 S 8/2011 Burki et al.
D643,558 S 8/2011 Antoniadis et al.
D643,787 S 8/2011 Burki et al.
D674,938 S * 1/2013 Lai D26/28
D740,978 S * 10/2015 Lee D26/28

1 Claim, 8 Drawing Sheets



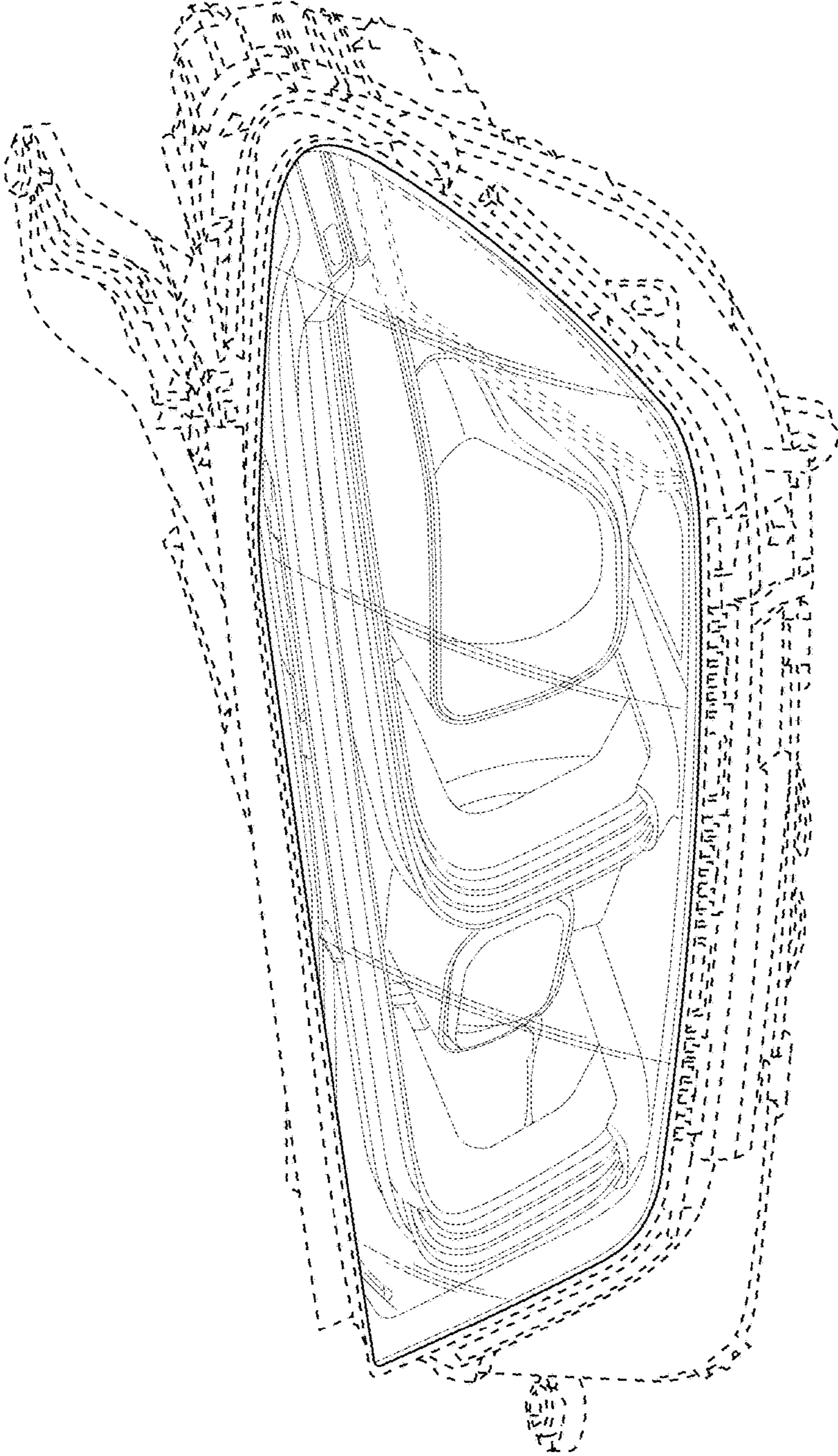


FIG. 1

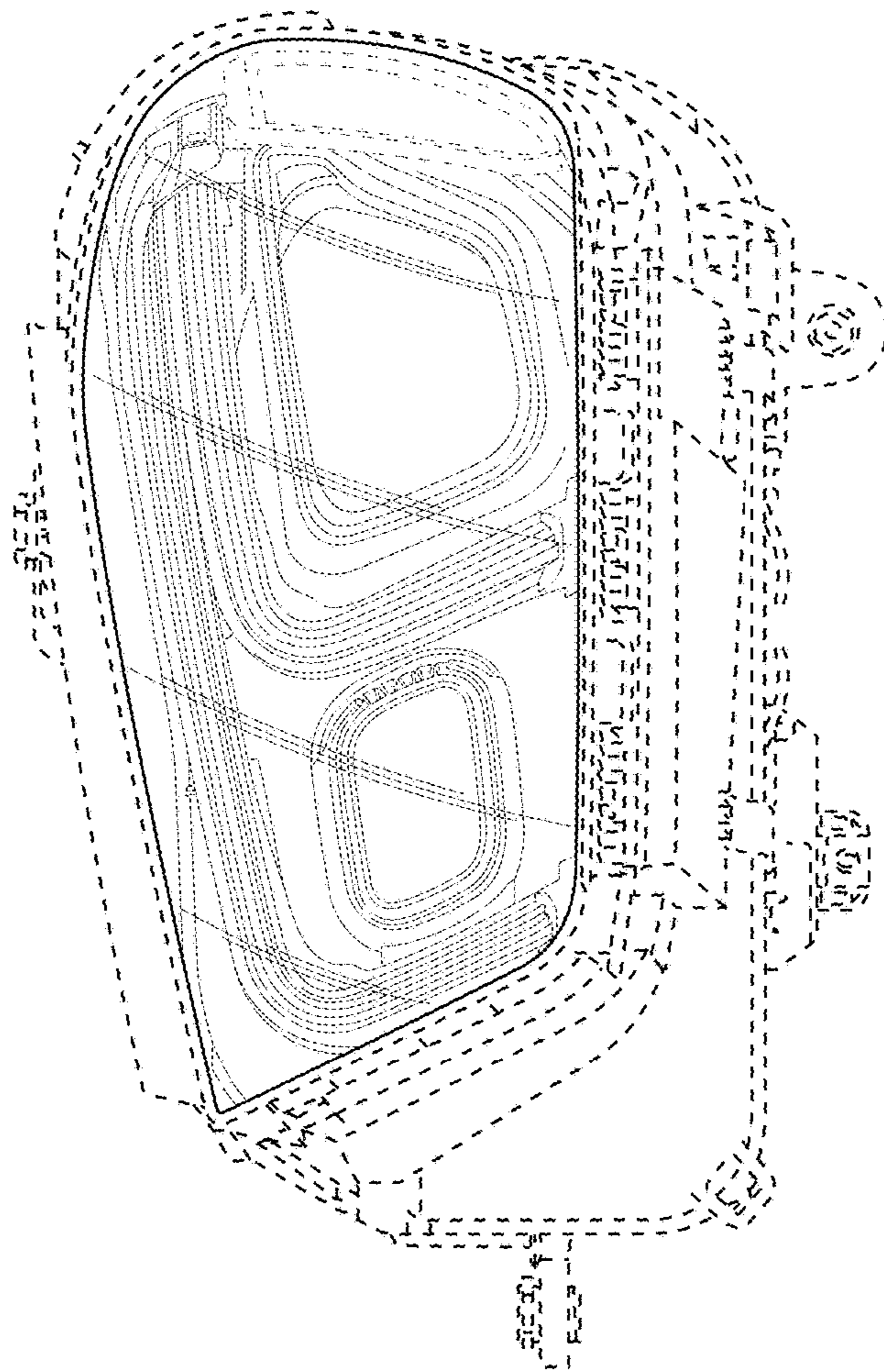


FIG. 2

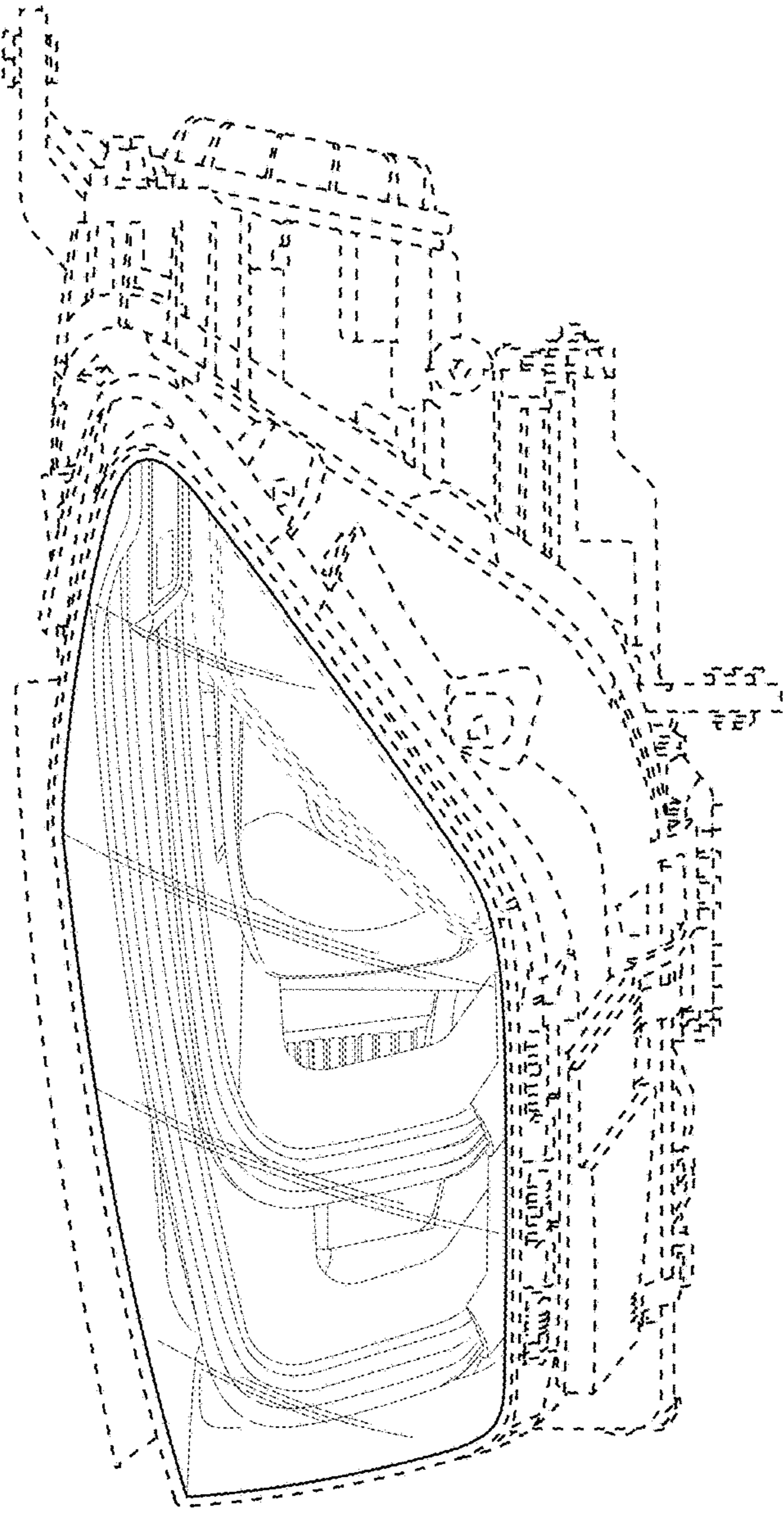


FIG. 3

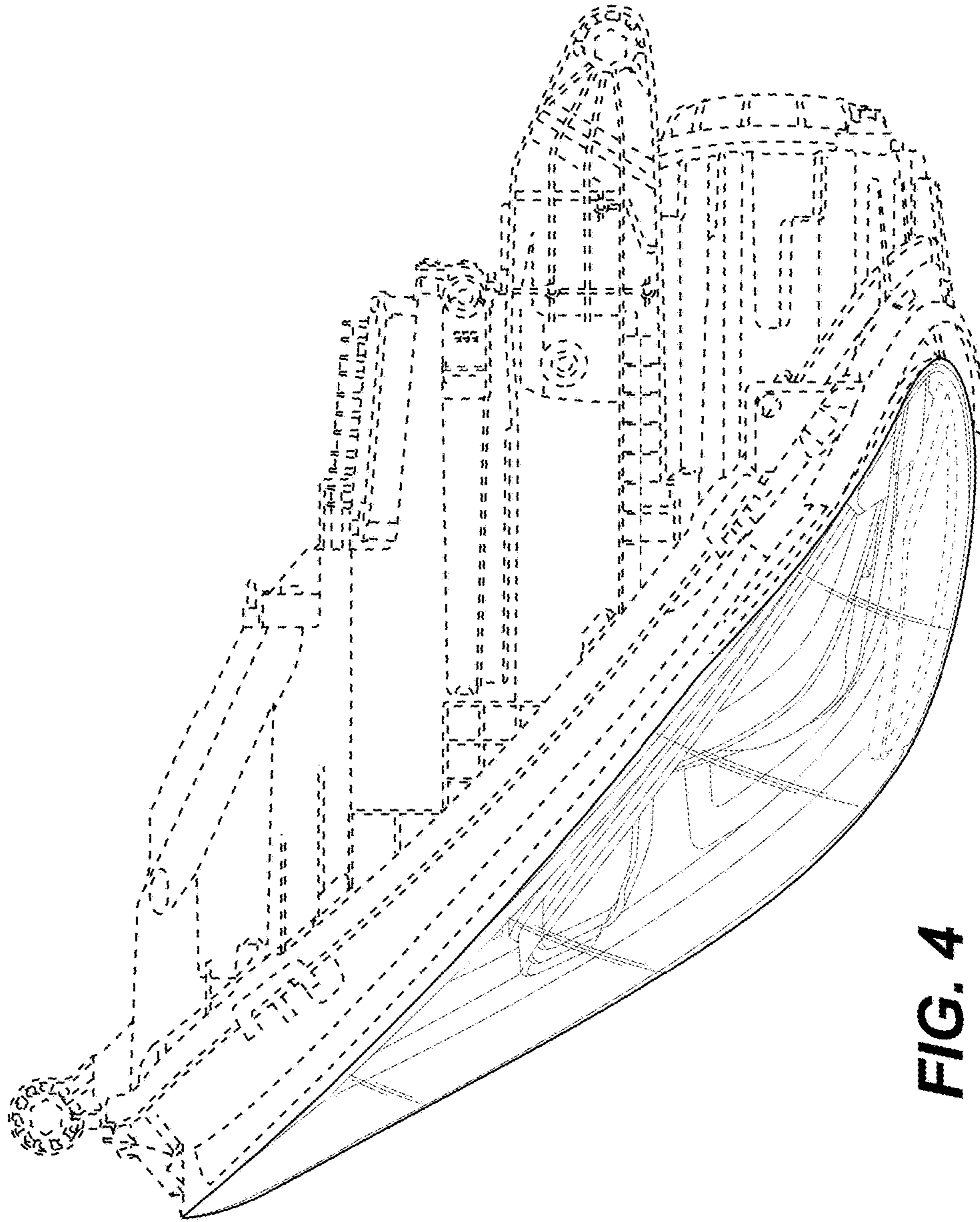


FIG. 4

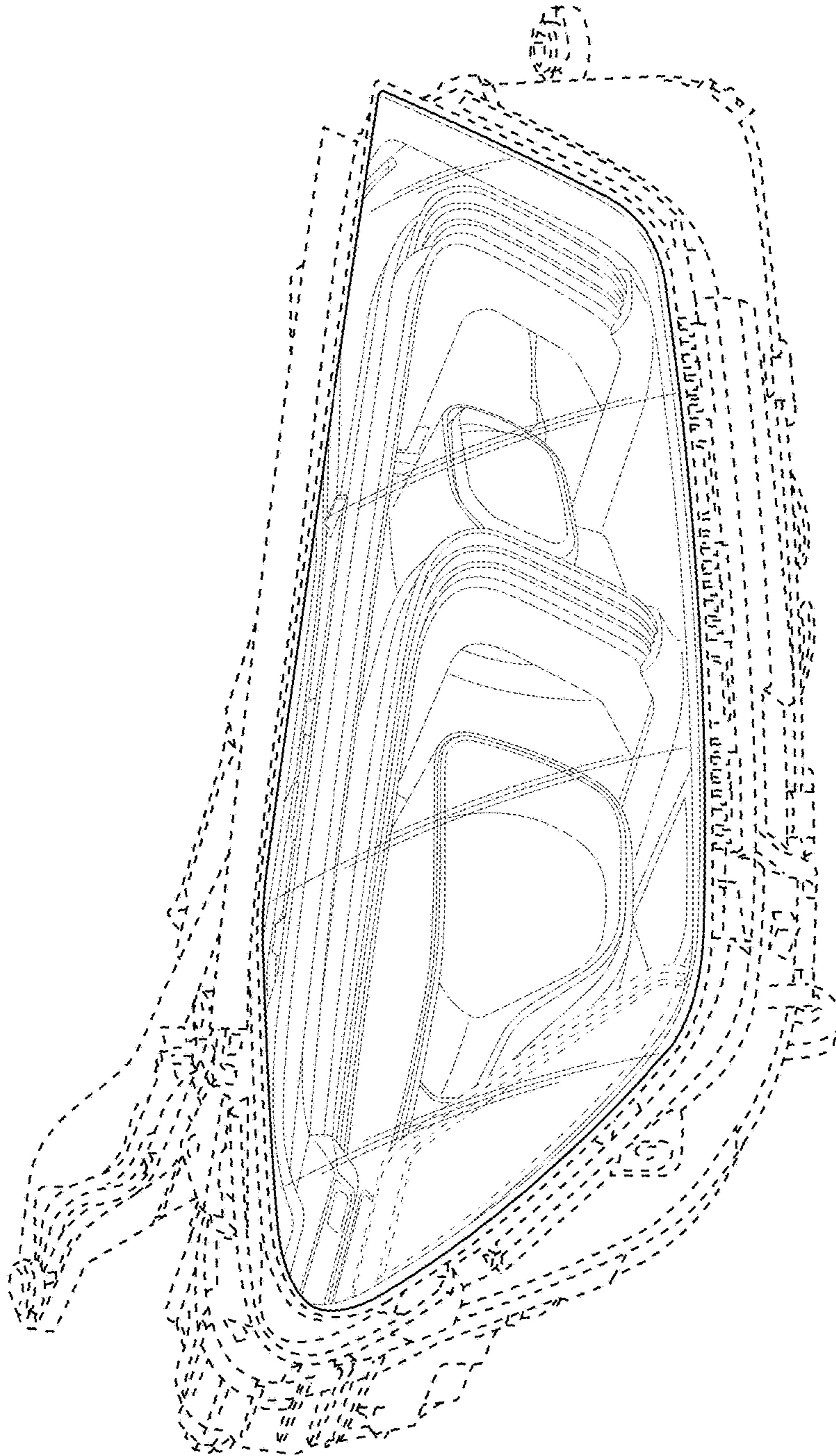


FIG. 5

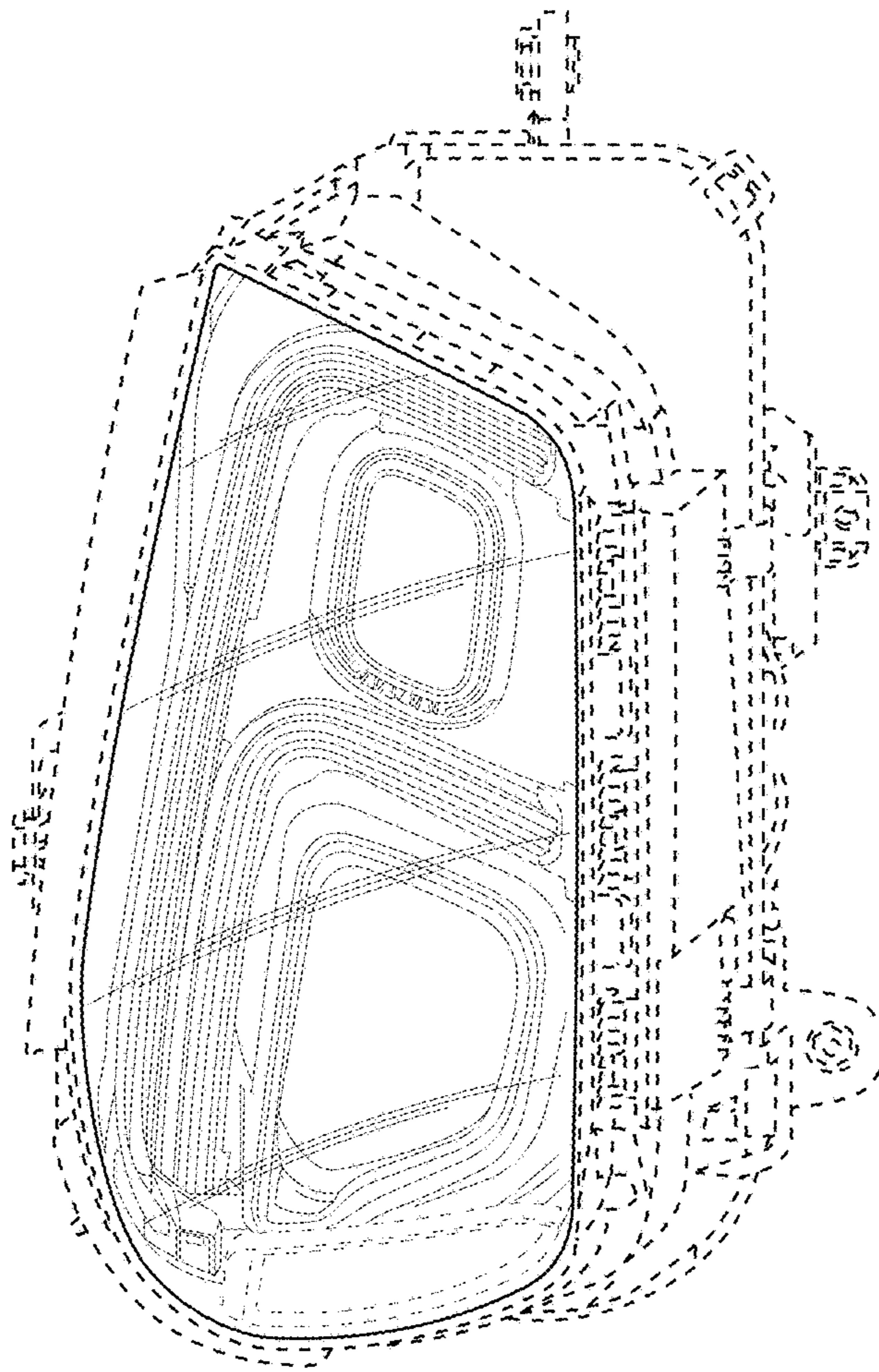


FIG. 6

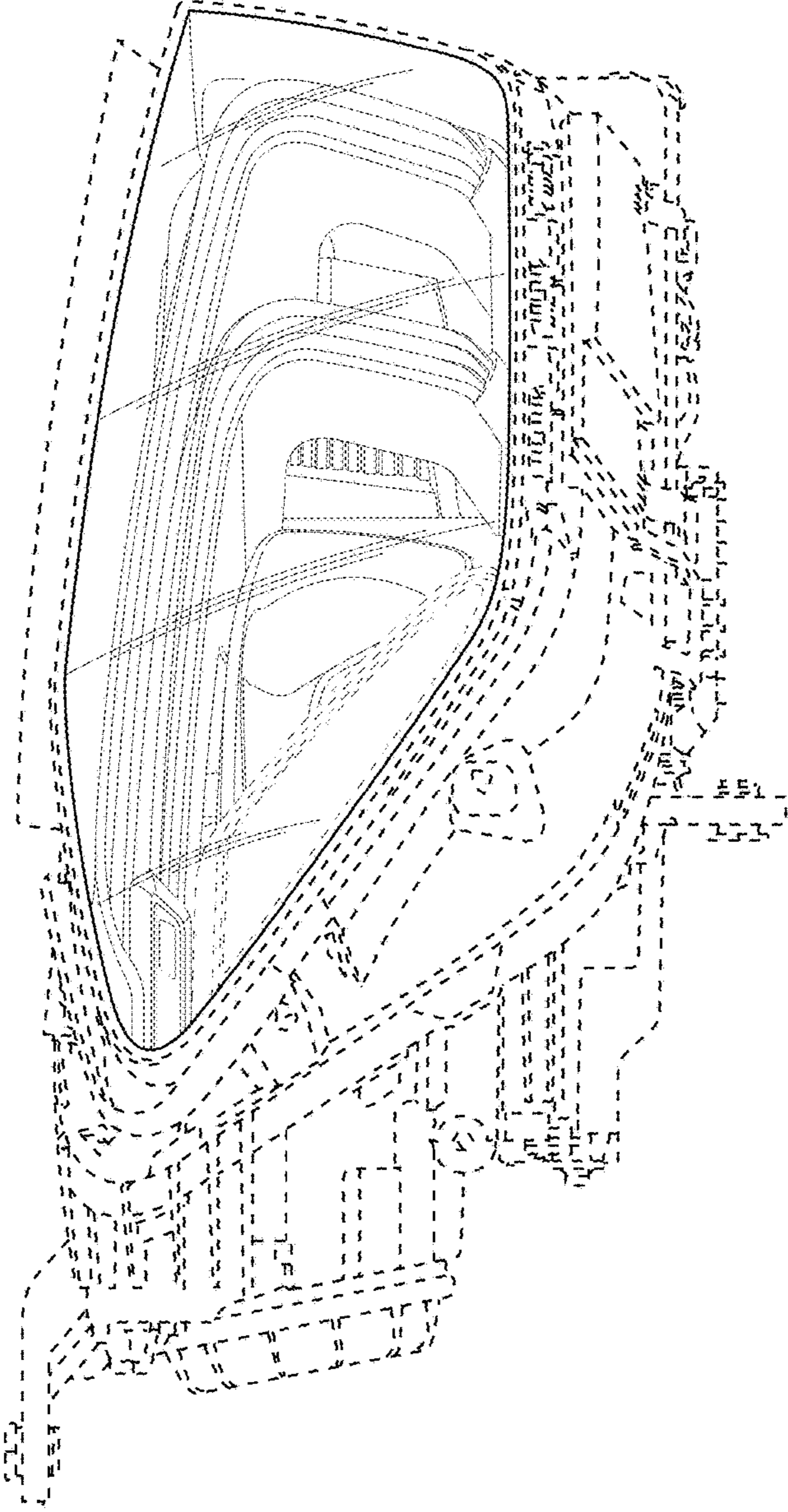


FIG. 7

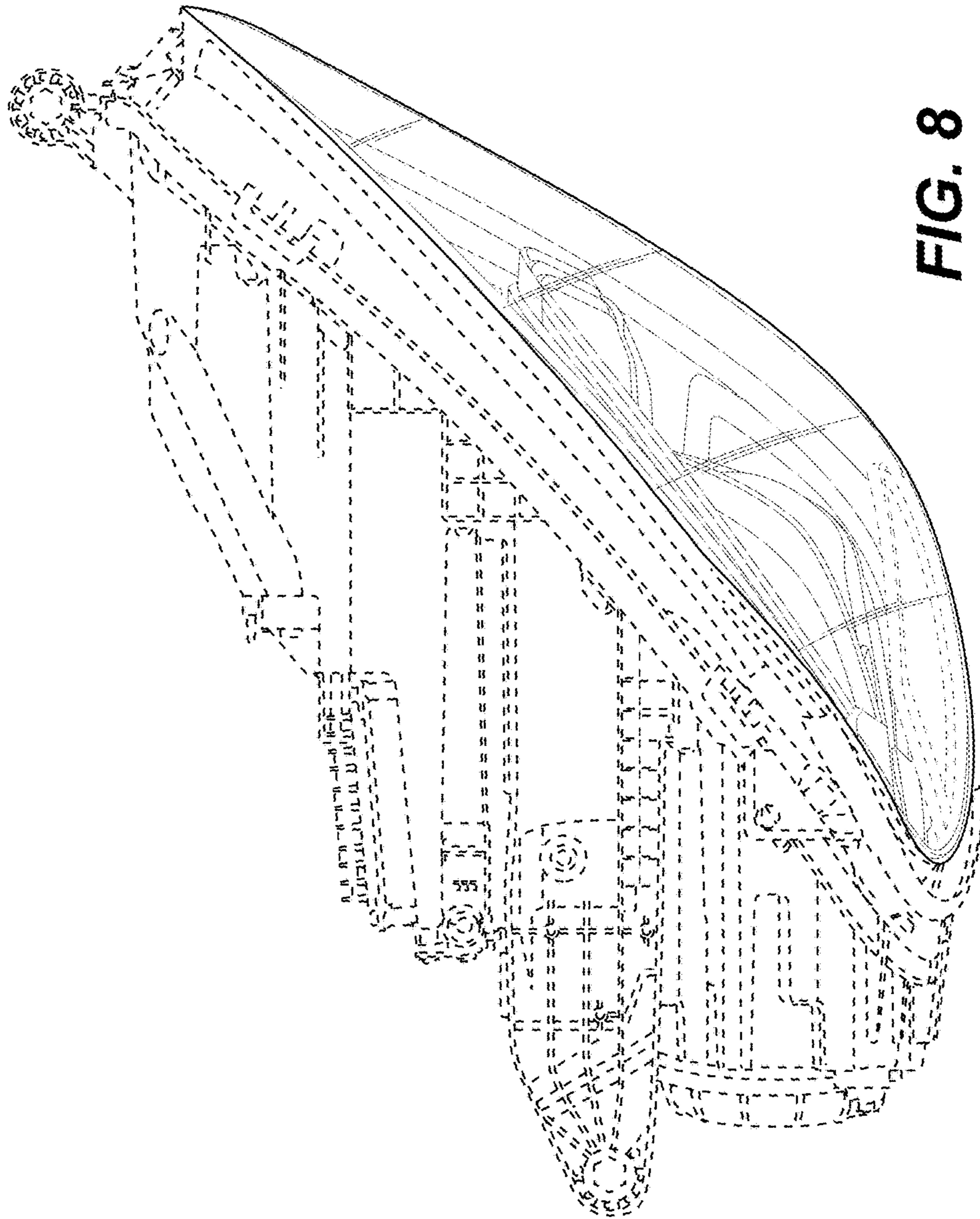


FIG. 8