



US00D841194S

(12) **United States Design Patent** (10) **Patent No.:** **US D841,194 S**
Carbone et al. (45) **Date of Patent:** **** Feb. 19, 2019**

(54) **LIGHTBULB HOLDER**

D610,724 S * 2/2010 Chiang D26/3
D611,172 S * 3/2010 Lin D26/3
D636,504 S * 4/2011 Duster D26/3

(71) Applicant: **Bluezone IP Holdings, LLC**, Woburn, MA (US)

* cited by examiner

(72) Inventors: **Philip C. Carbone**, North Reading, MA (US); **Warren James Ellis**, Worcester, MA (US); **David Hensel**, Boston, MA (US)

Primary Examiner — Marcus A Jackson
(74) *Attorney, Agent, or Firm* — Pauley Erickson & Kottis

(73) Assignee: **BLUEZONE IP HOLDING LLC**, Woburn, MA (US)

(57) **CLAIM**

(**) Term: **15 Years**

The ornamental design for a lightbulb holder, as shown and described.

(21) Appl. No.: **29/597,423**

DESCRIPTION

(22) Filed: **Mar. 16, 2017**

(51) **LOC (11) Cl.** **26-04**

(52) **U.S. Cl.**
USPC **D26/3**

(58) **Field of Classification Search**
USPC D26/1-4
CPC H01R 5/00; H01R 13/46; H01R 13/514;
H01R 31/048; H01R 31/02; H01J 5/00;
H01J 5/16; H01J 15/00; H01J 5/48; H01J
5/50; H01J 19/54; F21V 5/00
See application file for complete search history.

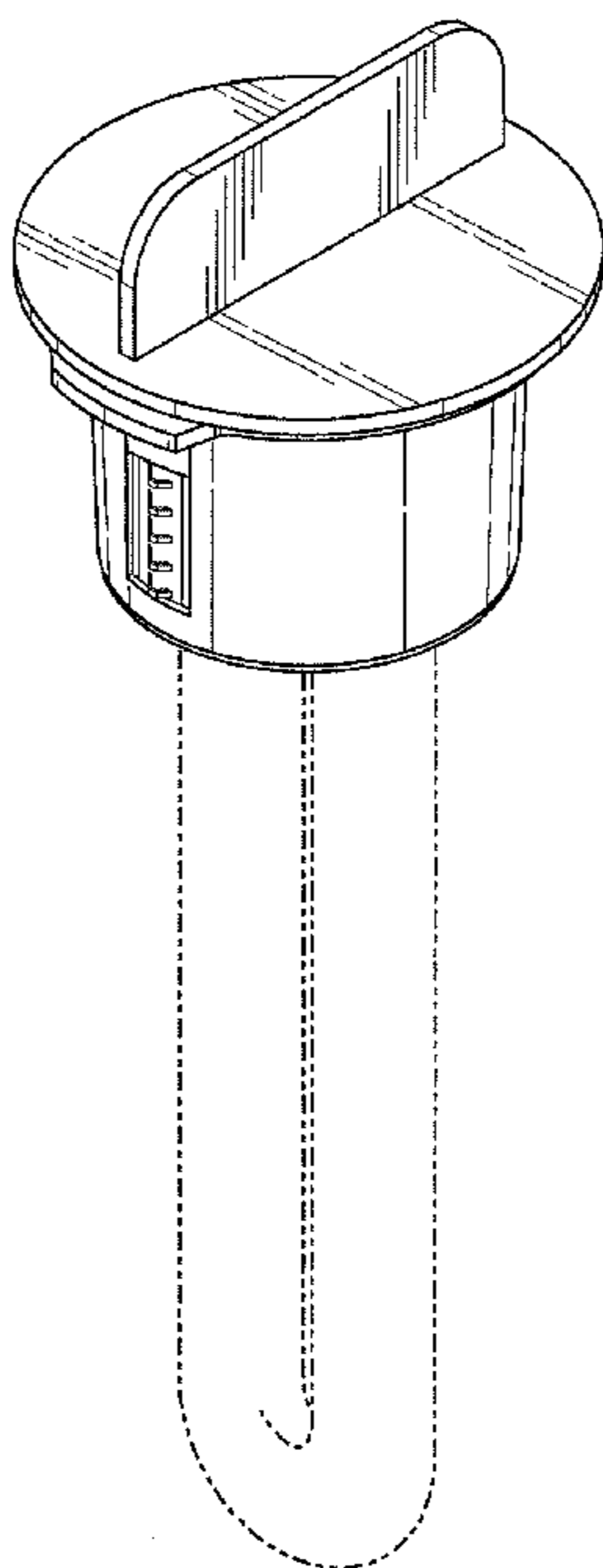
FIG. 1 is a front/side/top perspective view of a lightbulb holder illustrating the design.
FIG. 2 is a front elevation view of the lightbulb holder in FIG. 1.
FIG. 3 is a rear elevation view of the lightbulb holder in FIG. 1.
FIG. 4 is a side elevation view (other side is a mirror image) of the lightbulb holder in FIG. 1.
FIG. 5 is a top plan view of the lightbulb holder in FIG. 1; and,
FIG. 6 is a bottom plan view of the lightbulb holder in FIG. 1.
The broken line showing of the bulb portion is included for the purpose of illustrating only and forms no part of the claimed design.

(56) **References Cited**

U.S. PATENT DOCUMENTS

D584,429 S * 1/2009 Pei D26/3
D606,673 S * 12/2009 Kao D26/3

1 Claim, 5 Drawing Sheets



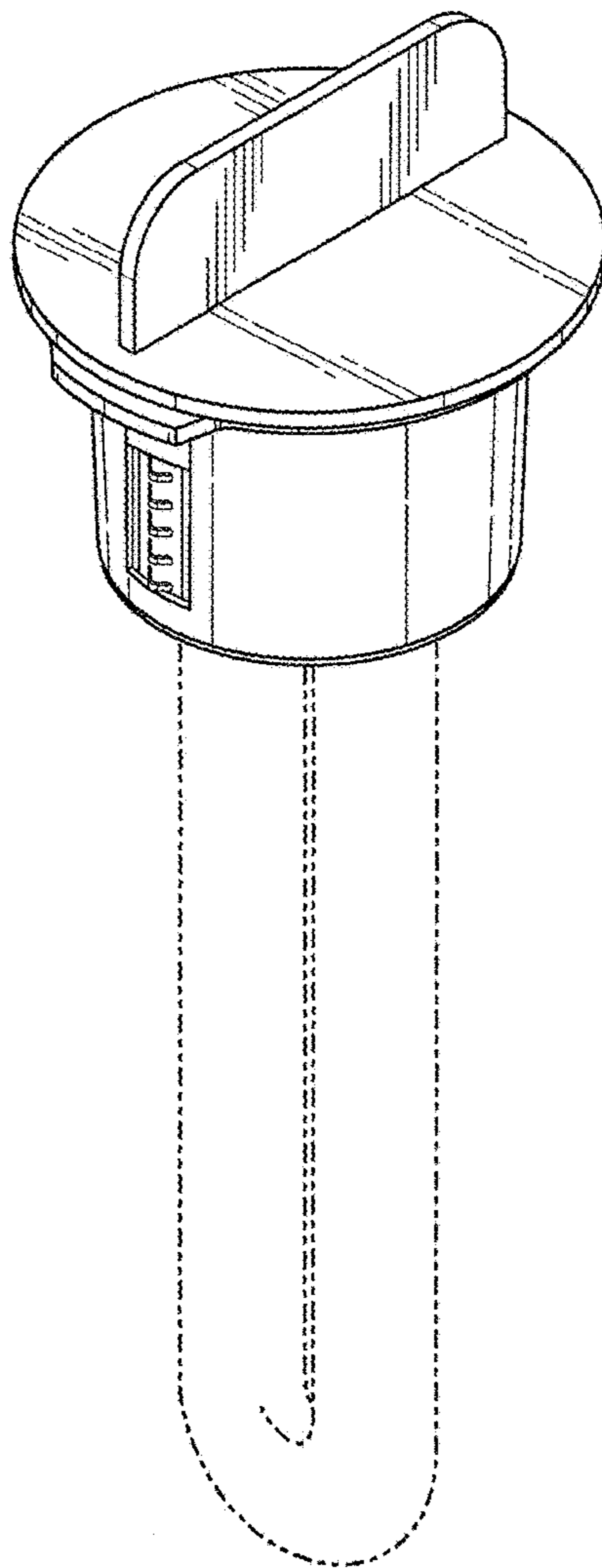


FIG. 1

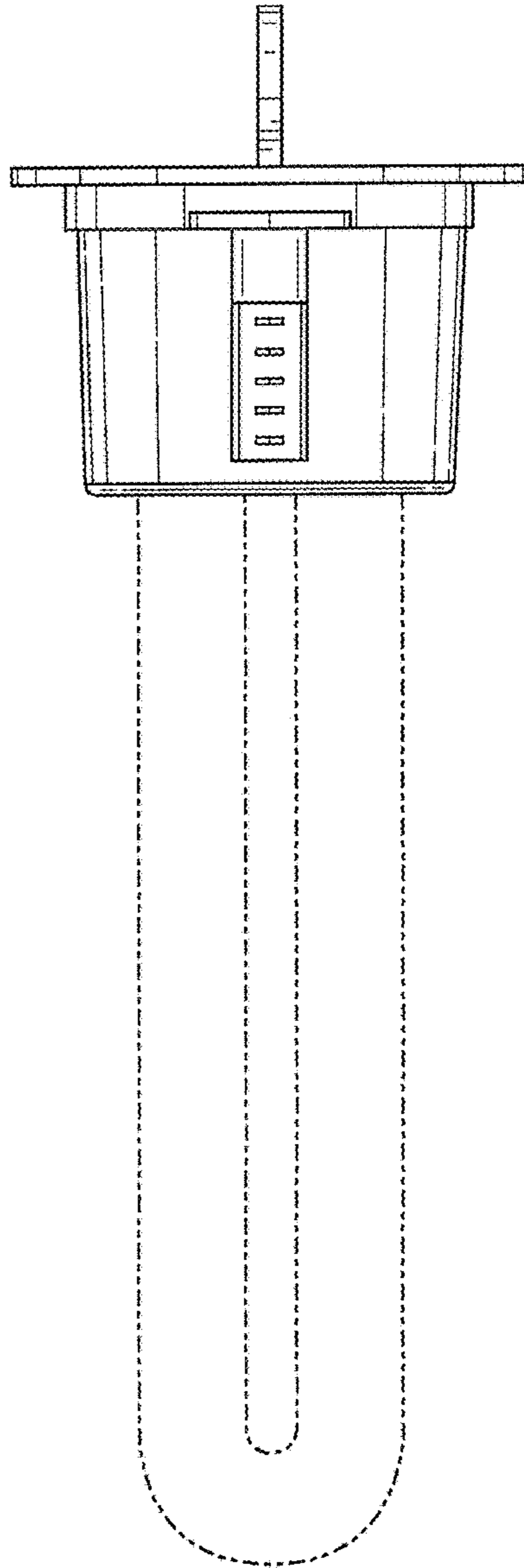


FIG. 2

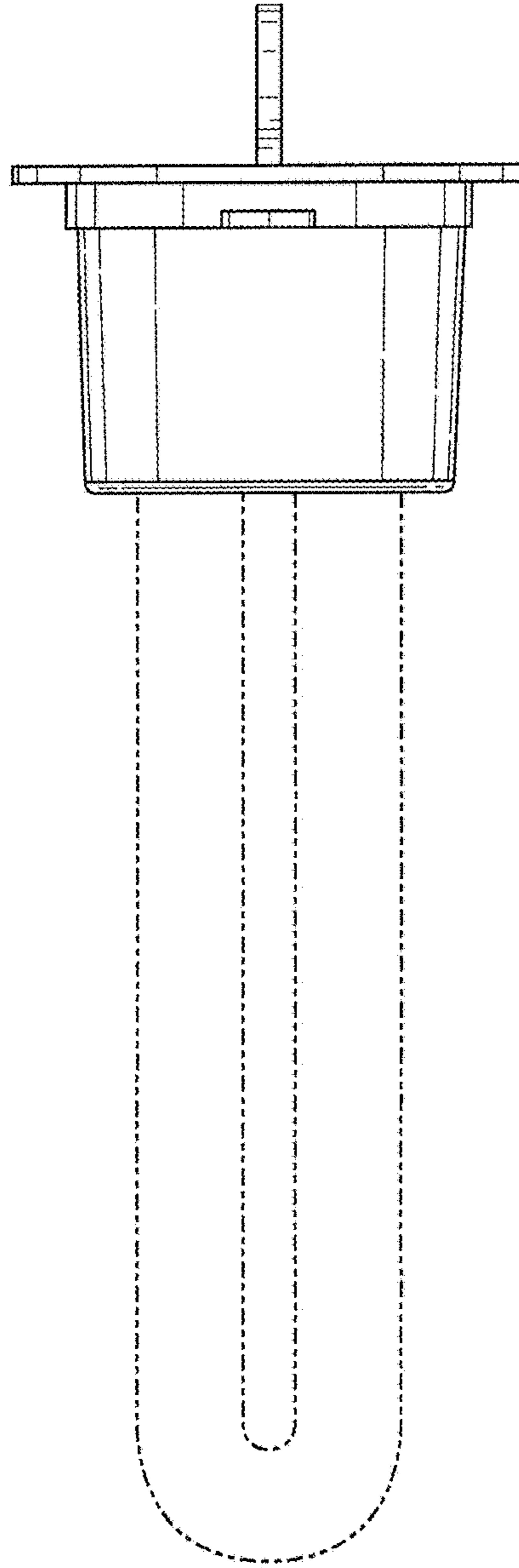


FIG. 3

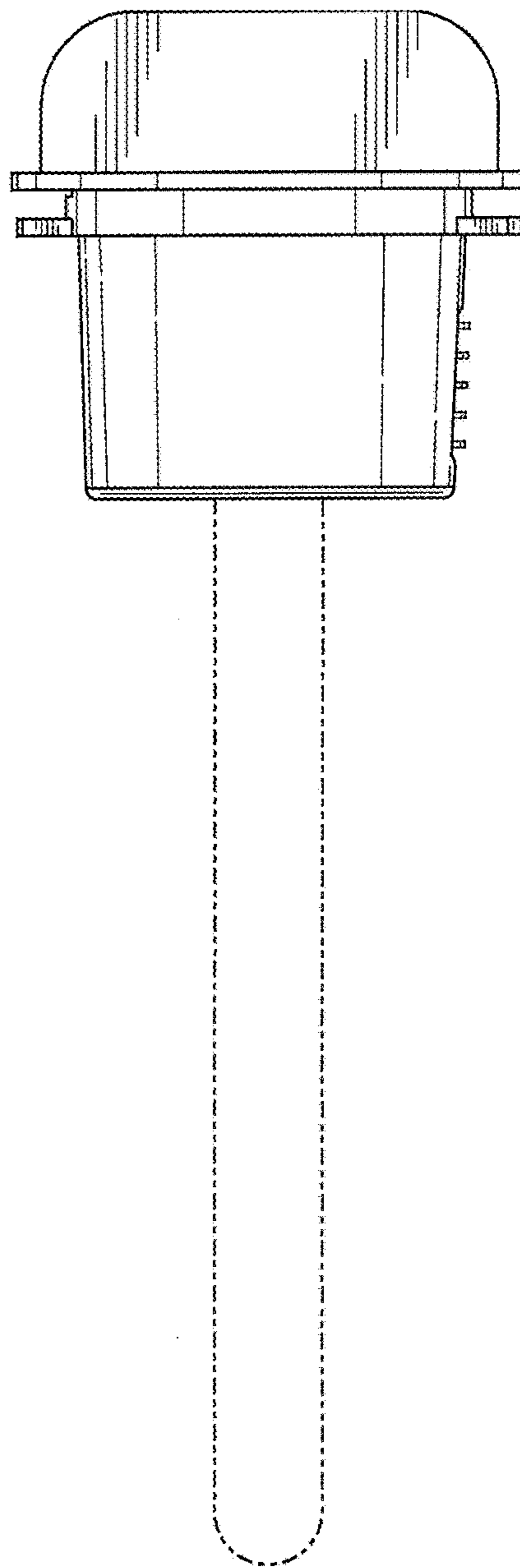


FIG. 4

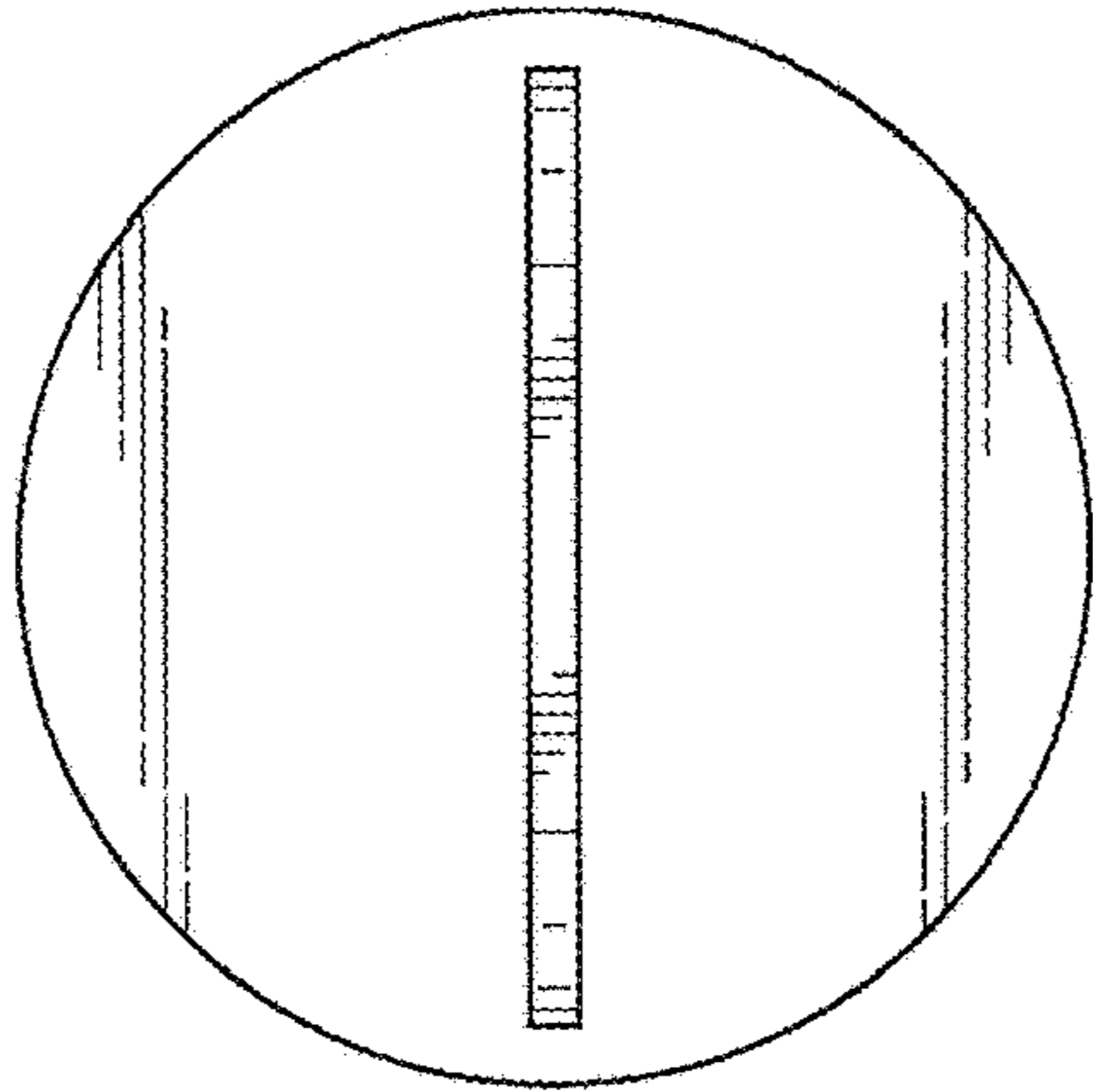


FIG. 5

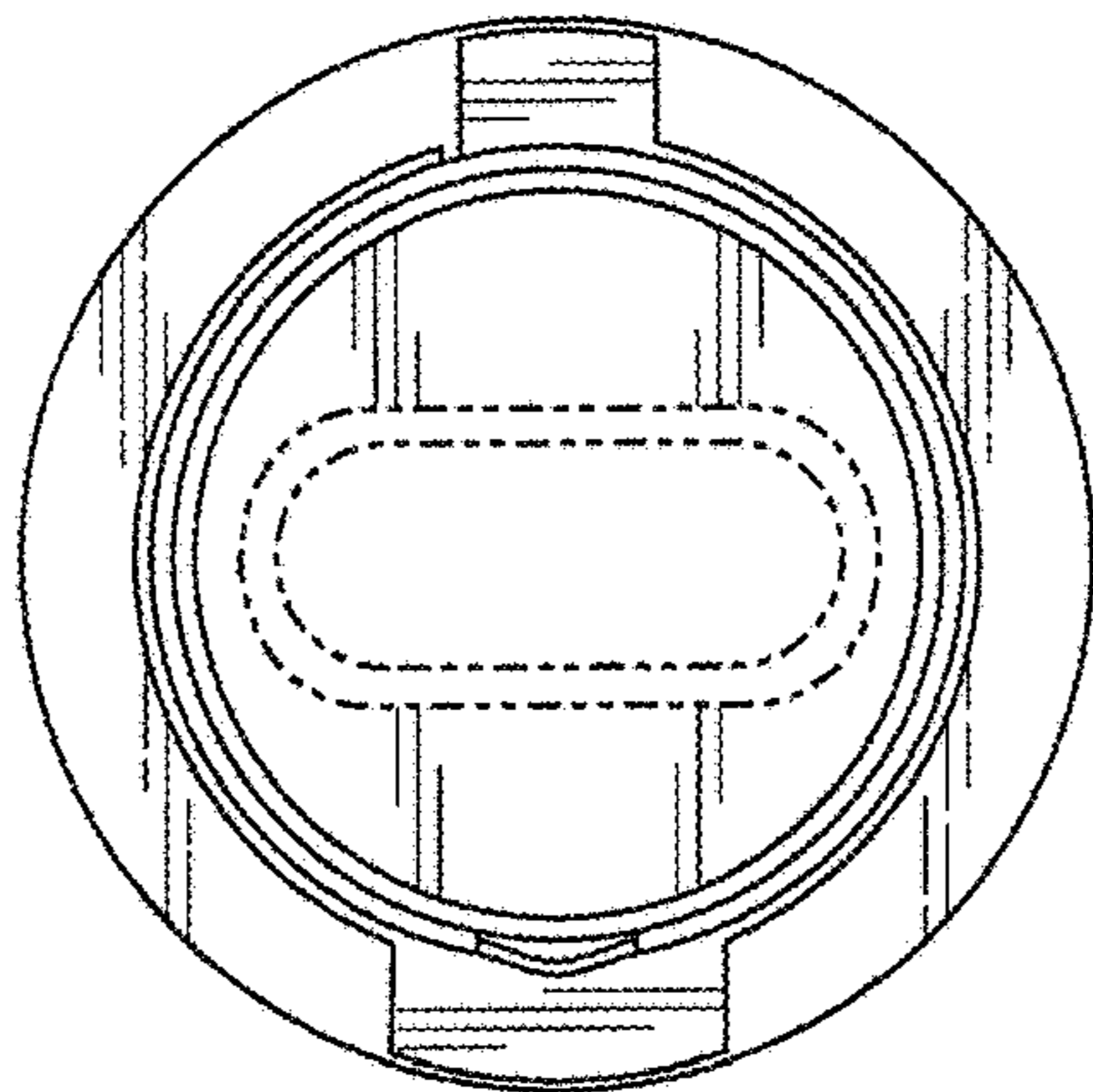


FIG. 6