



US00D841193S

(12) **United States Design Patent** (10) **Patent No.:** **US D841,193 S**
Woessner, III et al. (45) **Date of Patent:** **** Feb. 19, 2019**

- (54) **BEVELED BERM** 5,820,297 A * 10/1998 Middleton E02B 7/00
52/102
- (71) Applicant: **Well Service Group, Inc.**, Blairsville, PA (US) 5,881,760 A * 3/1999 Del Zotto B65D 90/24
137/264
- (72) Inventors: **William R. Woessner, III**, McKees Rocks, PA (US); **Lee Honeycutt**, Edmond, OK (US) 6,258,430 B1 7/2001 Perlman
6,695,534 B2 2/2004 Cain et al.
D790,731 S * 6/2017 Woessner, III D25/119
2002/0064425 A1* 5/2002 Stanton B65D 90/24
405/53
- (73) Assignee: **NEWPARK MATS & INTEGRATED SERVICES LLC**, The Woodlands, TX (US) 2004/0096276 A1 5/2004 Startteim et al.
2010/0107529 A1 5/2010 Engelmeyer
2011/0107722 A1 5/2011 Engelmeyer
2012/0076588 A1 3/2012 Dupuis et al.
2013/0105475 A1 5/2013 Marshall
2013/0121768 A1 5/2013 Powell et al.
- (**) Term: **15 Years** (Continued)

- (21) Appl. No.: **29/602,678**
- (22) Filed: **May 2, 2017**

Primary Examiner — Cynthia Ramirez
Assistant Examiner — L. Martinez
 (74) *Attorney, Agent, or Firm* — The Webb Law Firm

Related U.S. Application Data

- (62) Division of application No. 29/511,047, filed on Dec. 5, 2014, now Pat. No. Des. 790,731.
- (51) **LOC (11) Cl.** **25-99**
- (52) **U.S. Cl.**
USPC **D25/199**
- (58) **Field of Classification Search**
USPC D25/35, 119–129, 132, 136, 138, 164,
D25/199; D23/386
CPC B65D 90/046; B65D 90/24; B65D 90/26;
E02B 7/005; E02B 7/02; E02D 31/004;
E02D 27/01; E02D 27/35; E02D 27/38;
E04H 7/02; E04H 7/18; B09B 1/008;
B09B 1/006
See application file for complete search history.

(57) **CLAIM**

The ornamental design for a beveled berm, as shown and described.

DESCRIPTION

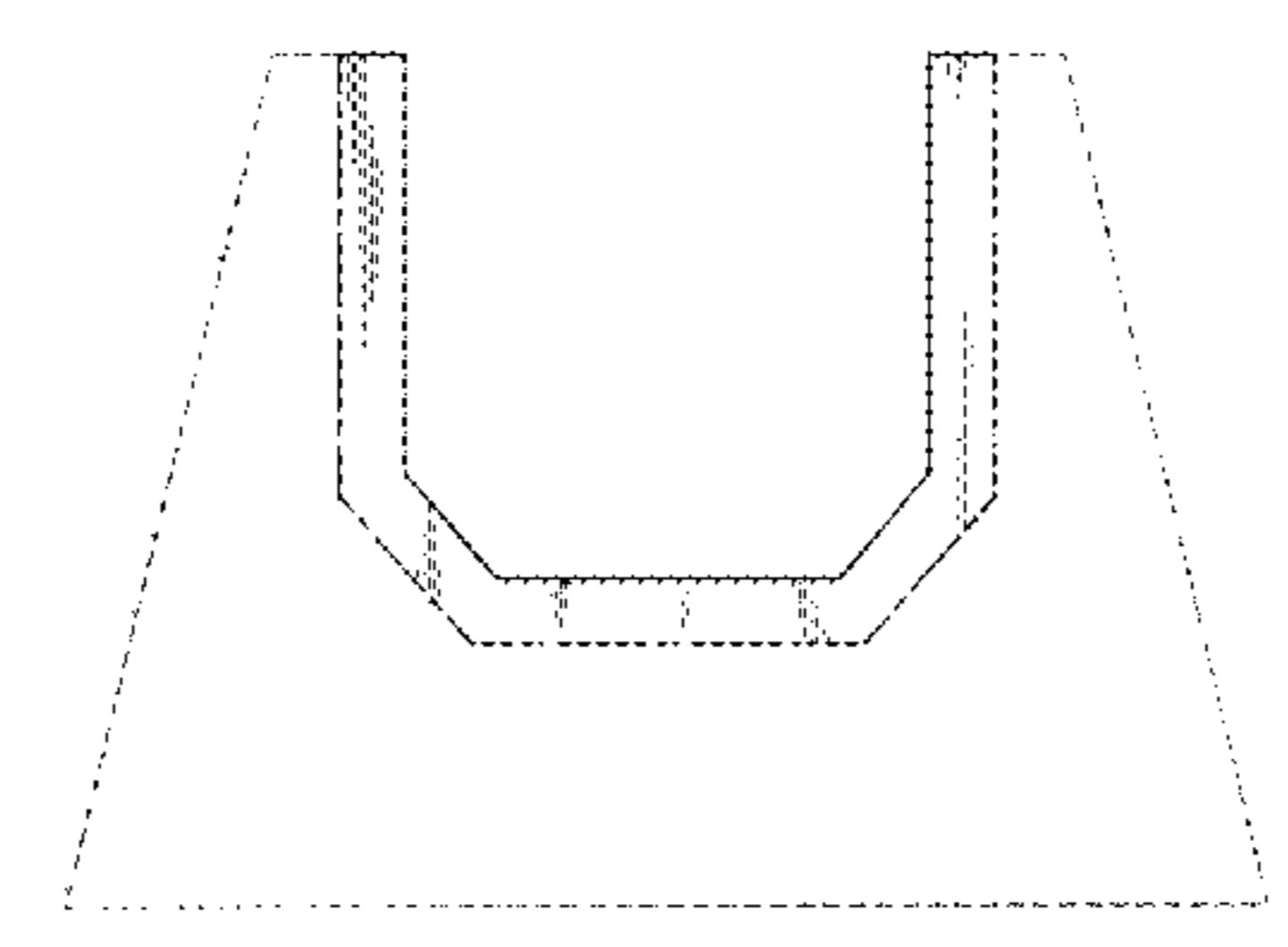
FIG. 1 is a front view of a beveled berm base showing our new design, the rear view being identical thereto;
 FIG. 2 is a left side view thereof, the right side view being identical thereto;
 FIG. 3 is a top view thereof;
 FIG. 4 is a bottom view thereof; and,
 FIG. 5 is an upper front left perspective view thereof.
 The dot-dash lines immediately adjacent the shaded areas represent a claim boundary and form no part of the claimed design. All other broken lines are directed to the portions of the beveled berm that form no part of the claimed design. The beveled berm is shown with a symbolic break in its length. The appearance of any portion of the beveled berm between the break lines forms no part of the claimed design.

(56) **References Cited**

U.S. PATENT DOCUMENTS

- 5,454,195 A 10/1995 Hallsten
- 5,689,920 A 11/1997 Hallsten

1 Claim, 5 Drawing Sheets



(56)

References Cited

U.S. PATENT DOCUMENTS

2014/0147212 A1 5/2014 Wheeler et al.
2016/0101942 A1 4/2016 Hinchberger
2016/0236860 A1 8/2016 Winters

* cited by examiner

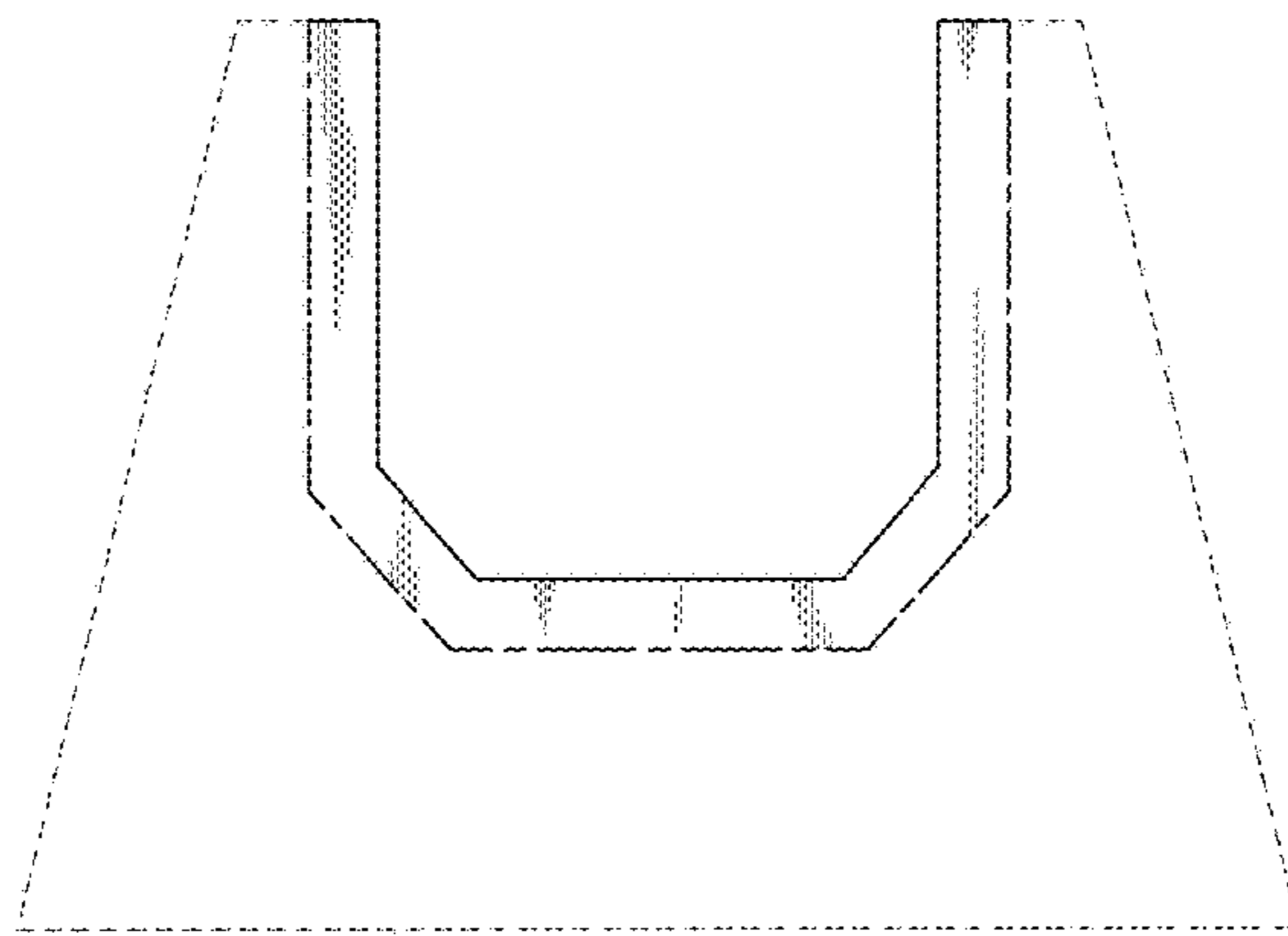


FIG. 1

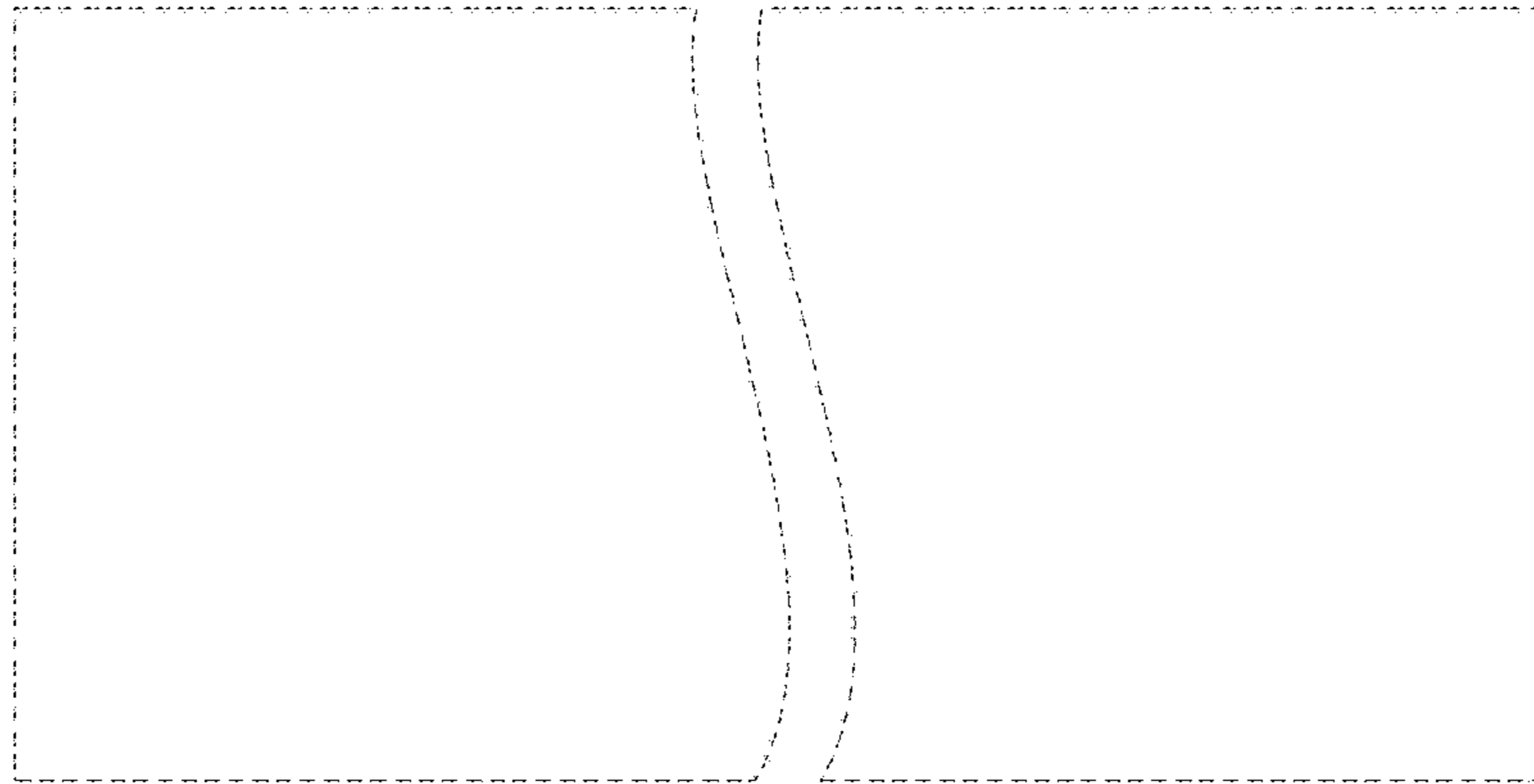


FIG. 2

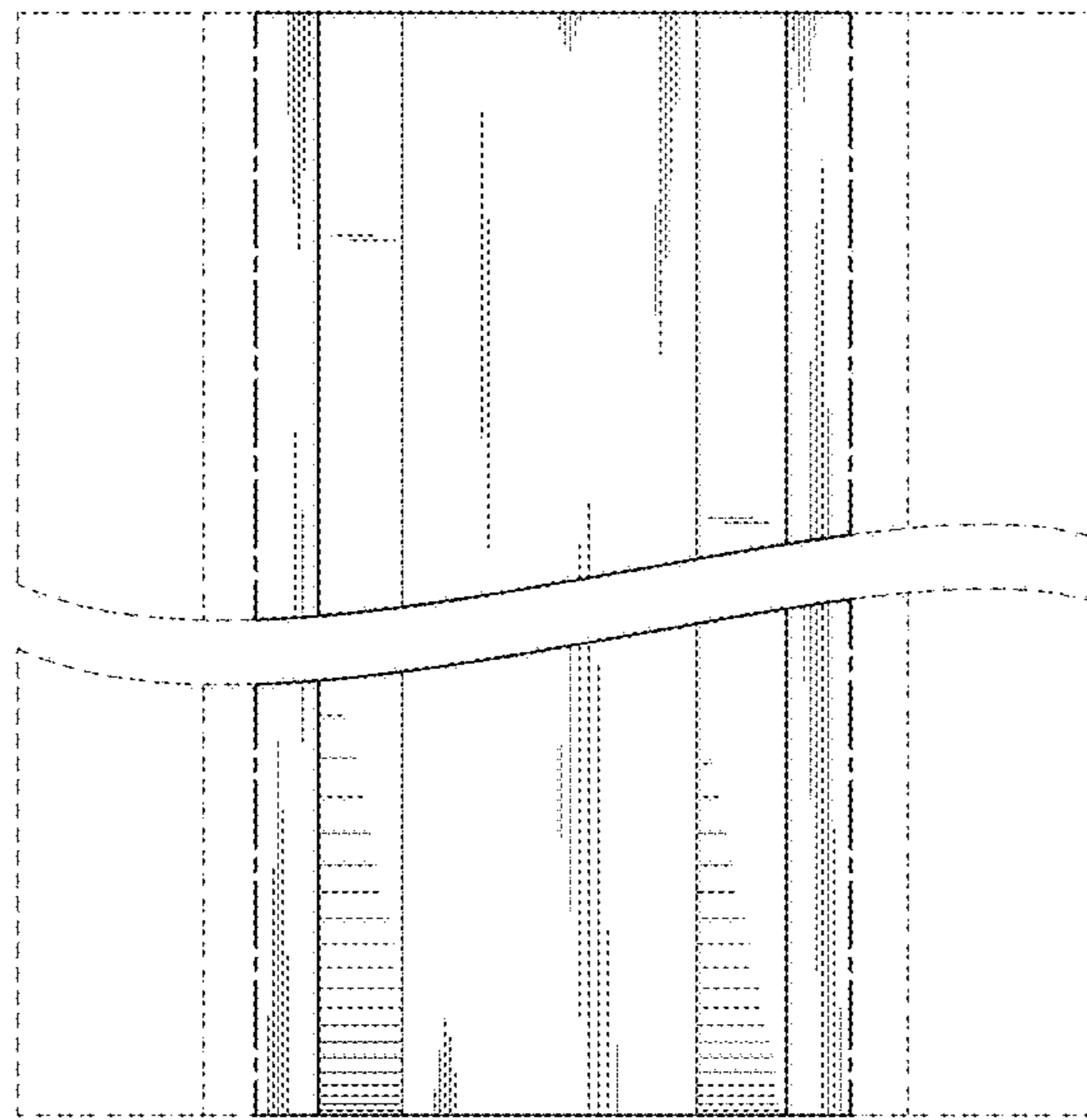


FIG. 3

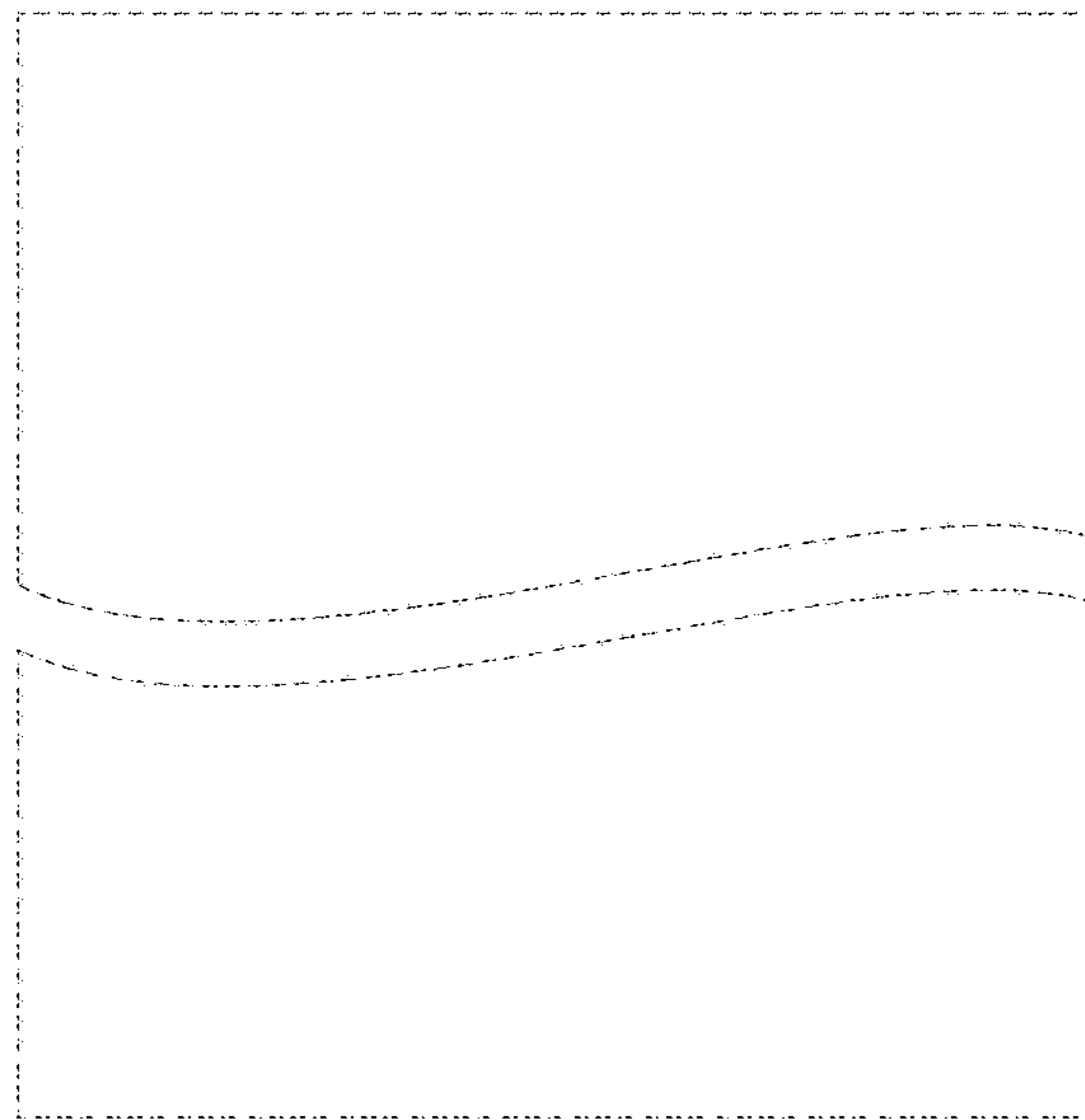


FIG. 4

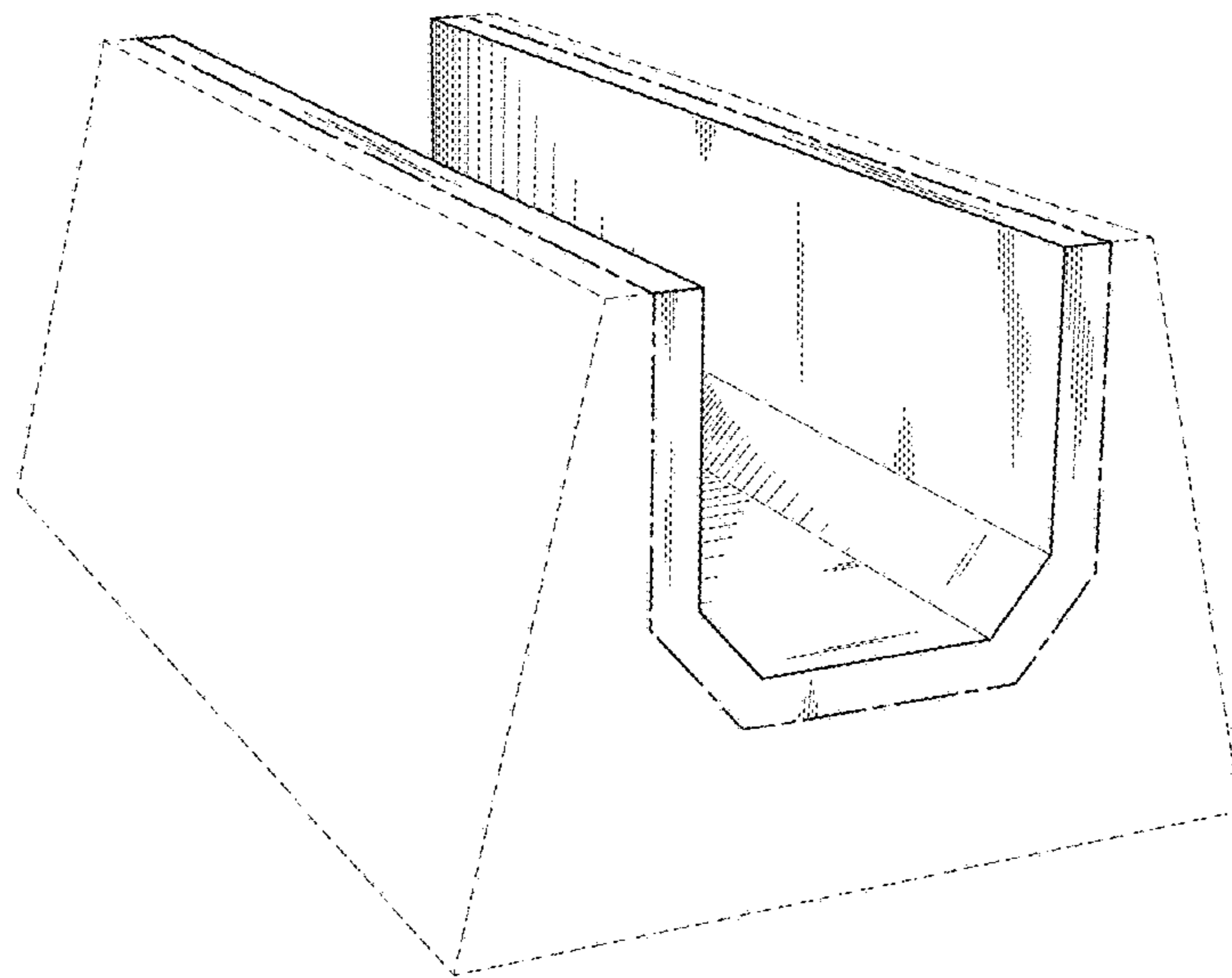


FIG. 5