



US00D841188S

(12) **United States Design Patent** (10) **Patent No.:** **US D841,188 S**  
**Choudhary et al.** (45) **Date of Patent:** **\*\* Feb. 19, 2019**

(54) **LABORATORY INSTRUMENT**

(56) **References Cited**

(71) Applicant: **GE Healthcare Bio-Sciences AB**,  
Uppsala (SE)  
(72) Inventors: **Manish Uddhaorao Choudhary**,  
Bangalore (IN); **Tomas Yngve Agren**,  
Uppsala (SE); **Prasad Yakkar Kini**,  
Bangalore (IN); **Shrish Shrikant Joshi**,  
Bengaluru (IN); **Mats Olsson**, Uppsala  
(SE)  
(73) Assignee: **GE Healthcare Bio-Sciences AB**,  
Uppsala (SE)

U.S. PATENT DOCUMENTS

D598,129	S	*	8/2009	Tsukuda	.....	D24/234
D598,567	S	*	8/2009	Tsukuda	.....	D24/234
D652,947	S	*	1/2012	Philipak	.....	D24/216
D670,401	S	*	11/2012	Tsuda	.....	D24/216
D672,471	S	*	12/2012	Franco	.....	D24/232
D681,233	S	*	4/2013	Thomas	.....	D24/232
D693,019	S	*	11/2013	Isozaki	.....	D24/216
D724,753	S	*	3/2015	Gutmann	.....	D24/216
D740,955	S	*	10/2015	Gutmann	.....	D24/216
9,332,842	B2	*	5/2016	Herron	.....	A47B 96/00

\* cited by examiner

*Primary Examiner* — Anhdao Doan

(74) *Attorney, Agent, or Firm* — McCoy Russell LLP

(\*\*) Term: **15 Years**

(57) **CLAIM**

(21) Appl. No.: **29/599,782**

The ornamental design for a laboratory instrument, as shown and described.

(22) Filed: **Apr. 6, 2017**

**DESCRIPTION**

(30) **Foreign Application Priority Data**

Oct. 6, 2016 (IN) ..... 287515

(51) **LOC (11) Cl.** ..... **24-01**

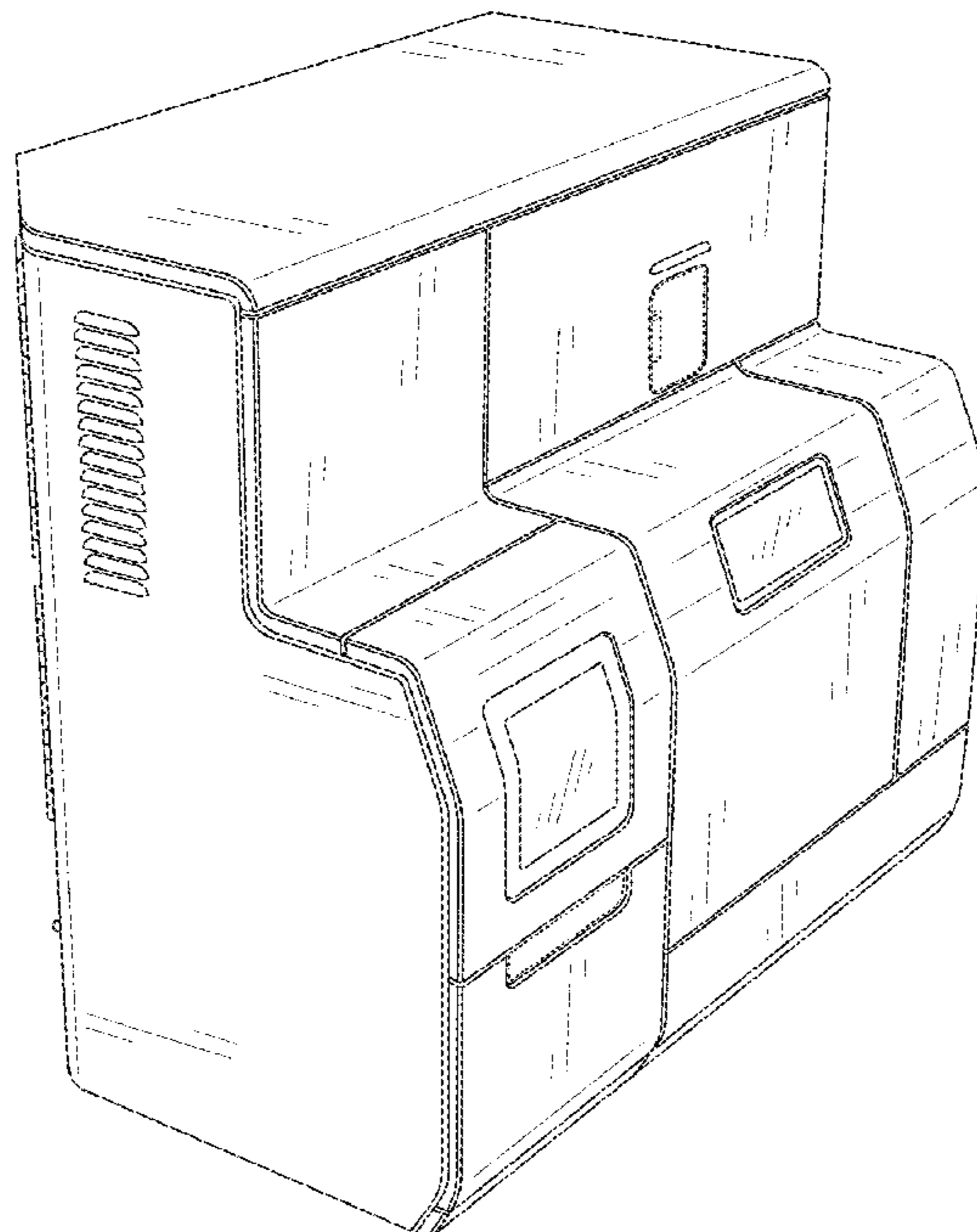
(52) **U.S. Cl.**  
USPC ..... **D24/232**

(58) **Field of Classification Search**  
USPC ..... D24/107, 169, 185, 186, 216–219,  
D24/231–234; D10/81  
CPC ..... G01N 21/0483; G01N 21/0303; G01N  
35/00029; G01N 35/00019; G01N  
2035/00326; G01N 21/6428; G01N  
21/6486; G01N 2201/061

See application file for complete search history.

FIG. 1 is a right side of view of a laboratory instrument in accordance with the present design;  
FIG. 2 is a front view thereof;  
FIG. 3 is a left side view thereof;  
FIG. 4 is a top view thereof;  
FIG. 5 is a bottom view thereof;  
FIG. 6 is a back view thereof;  
FIG. 7 is a left side elevation view thereof;  
FIG. 8 is a right side perspective view thereof;  
FIG. 9 is a right and back perspective view thereof; and,  
FIG. 10 is a left and back perspective view thereof.  
The broken lines illustrate portions of the laboratory instrument that form no part of the claimed design.

**1 Claim, 9 Drawing Sheets**



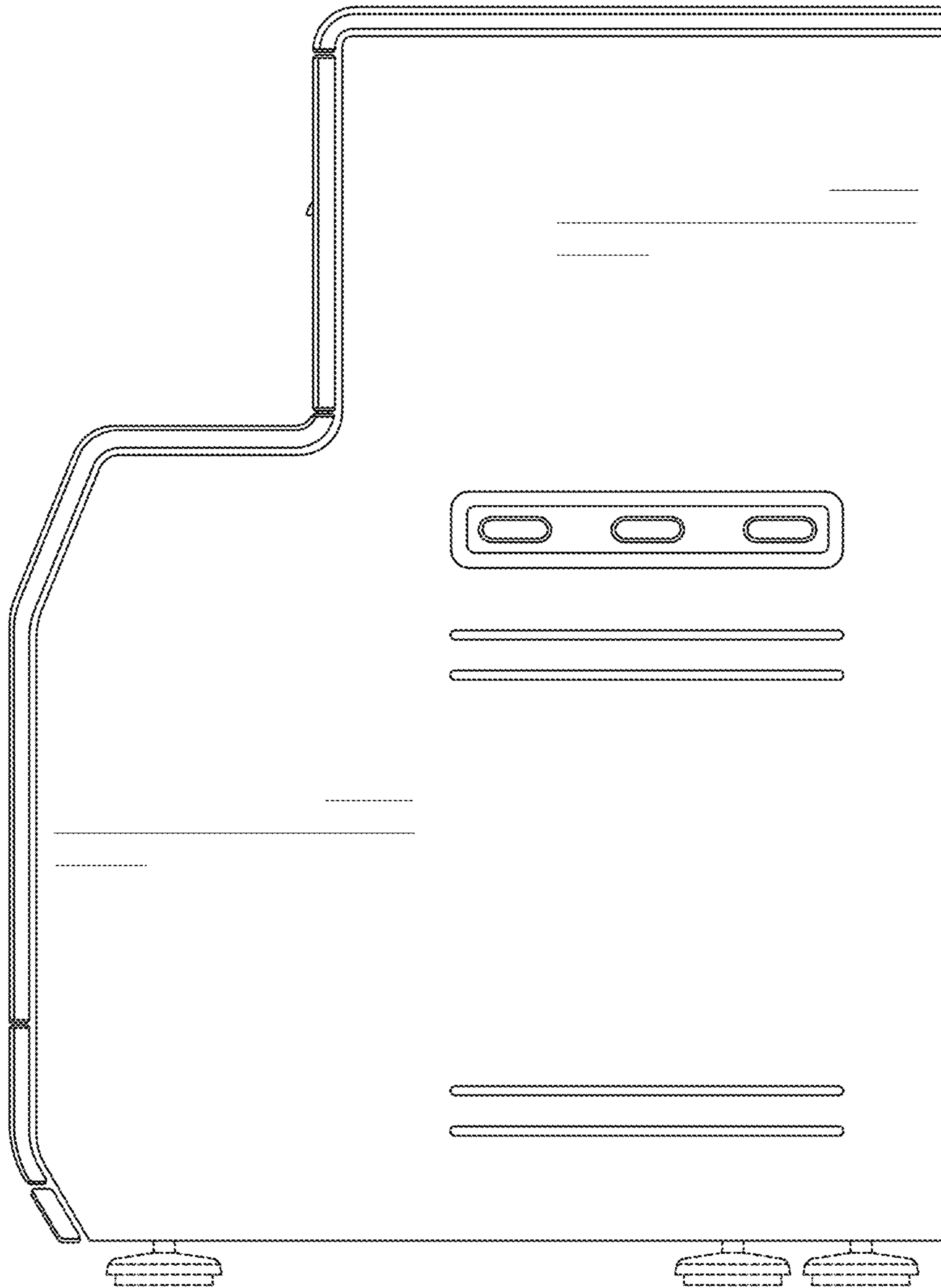


FIG. 1

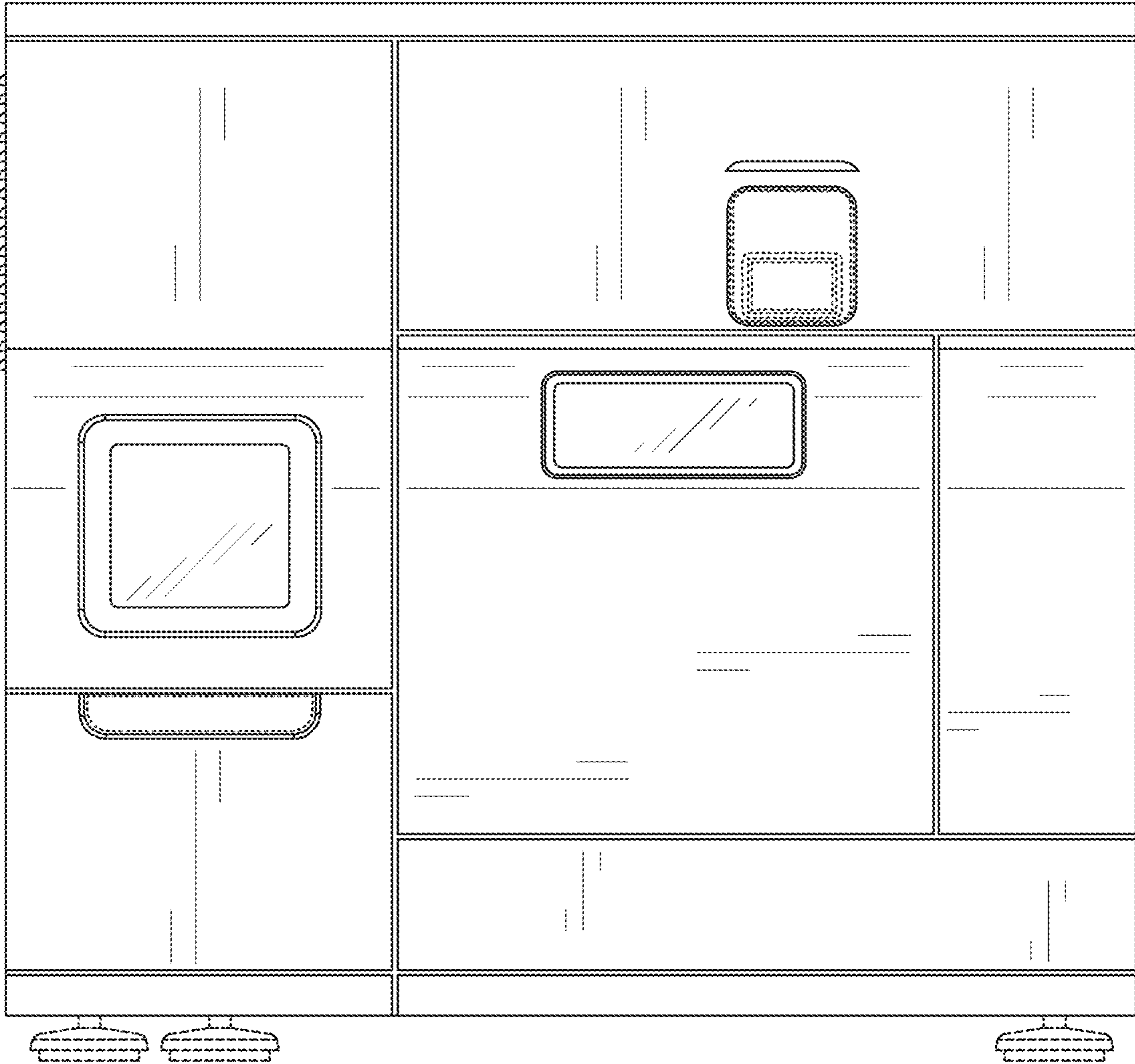


FIG. 2

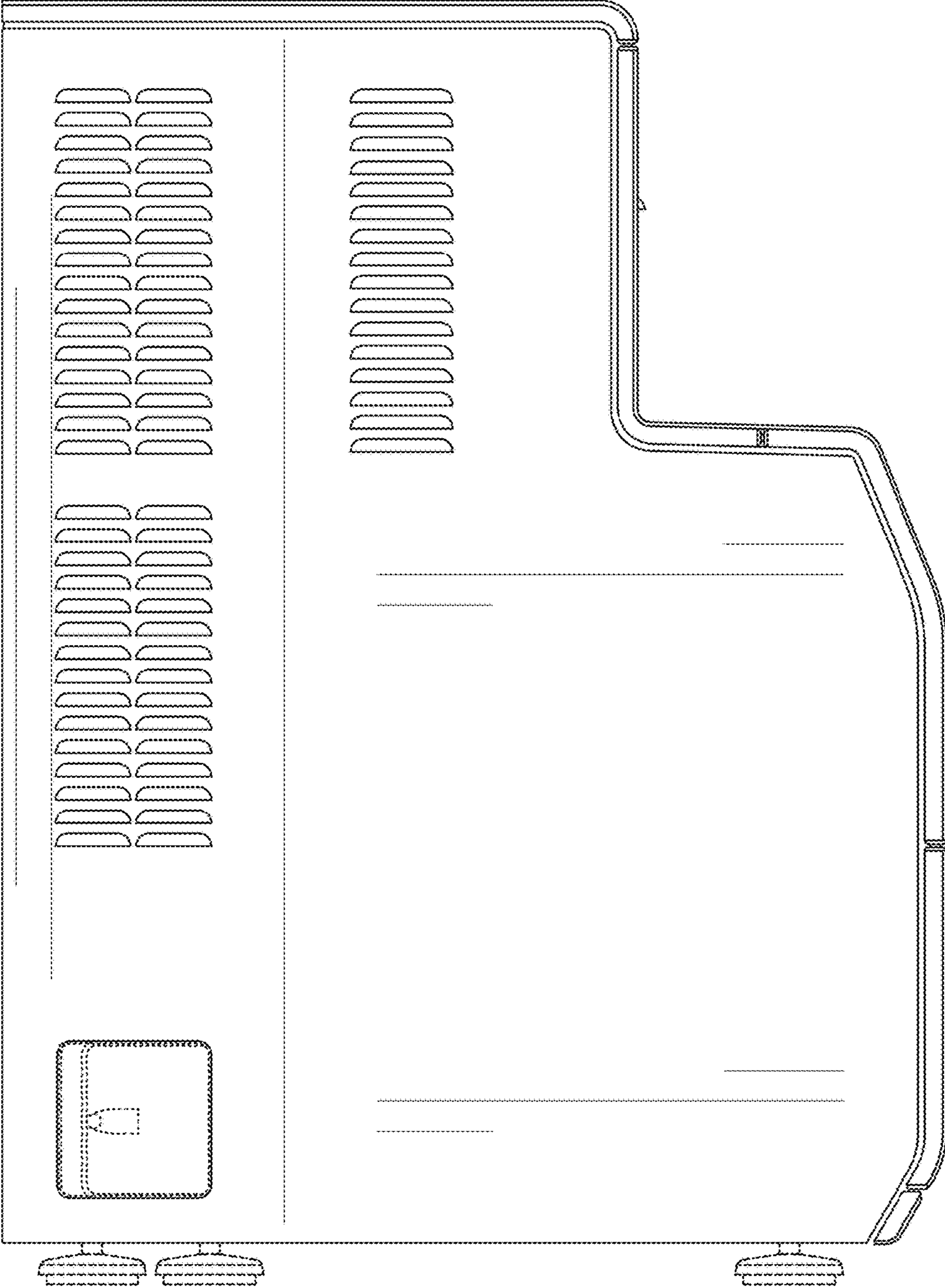


FIG. 3



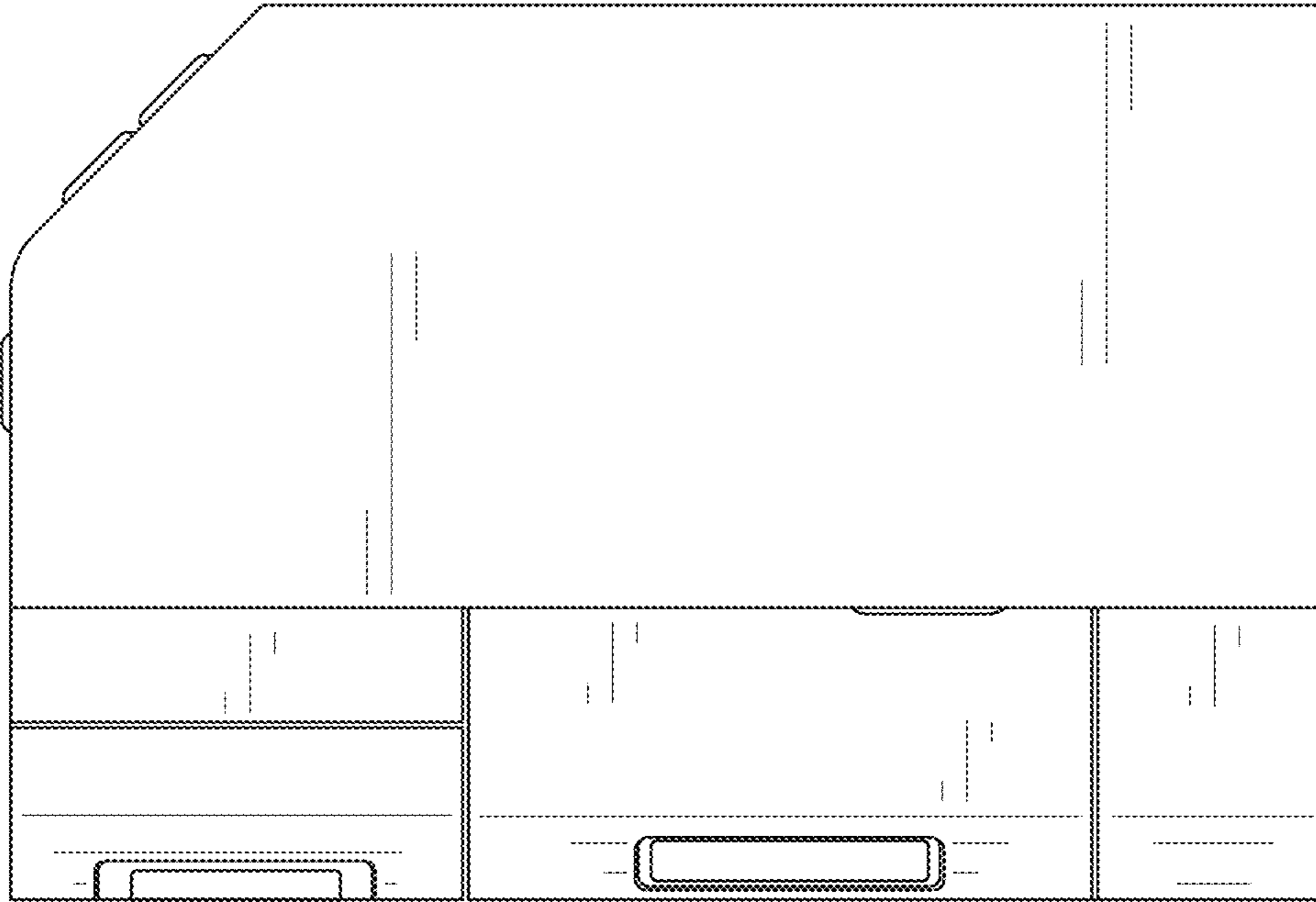


FIG. 4

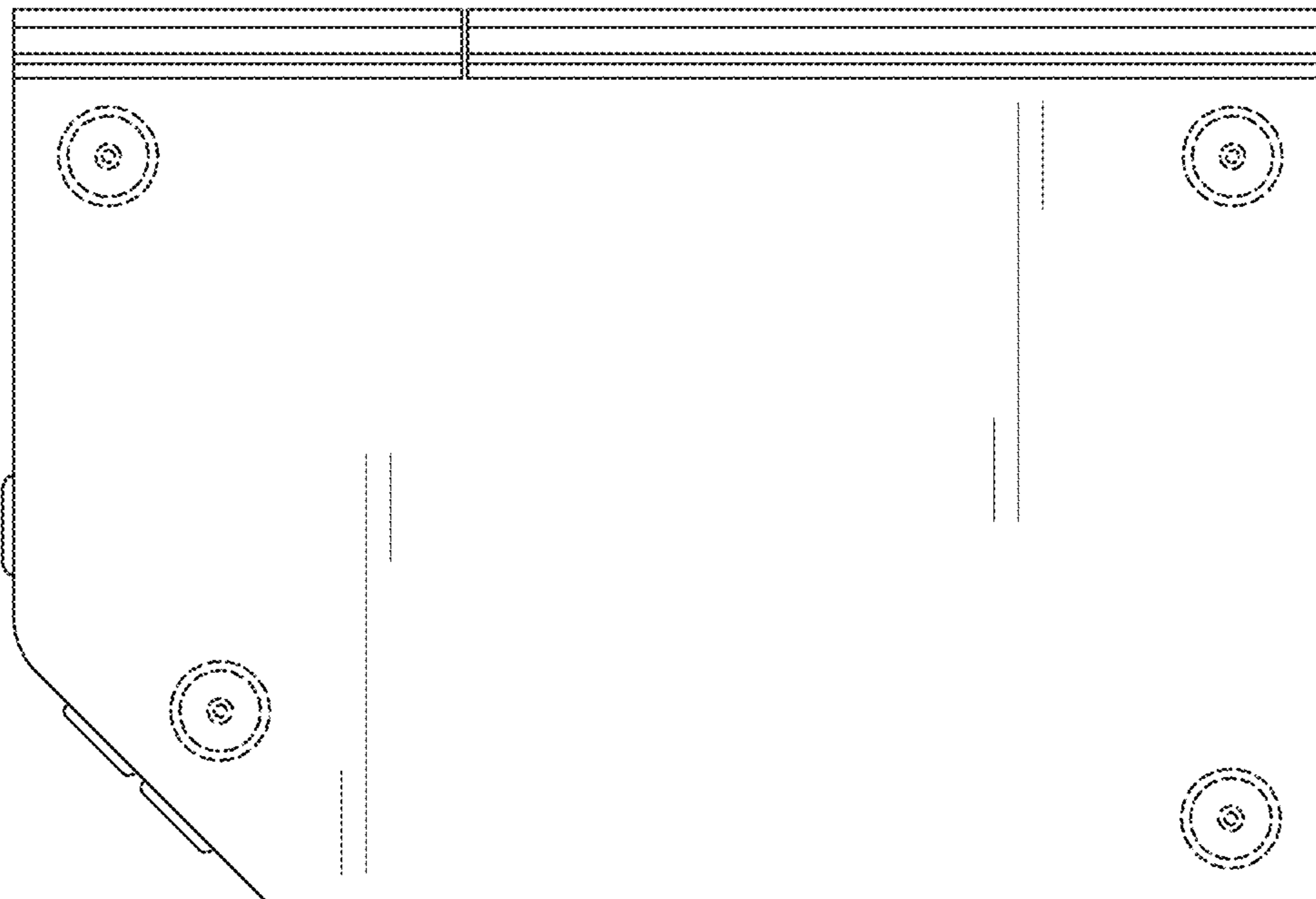


FIG. 5

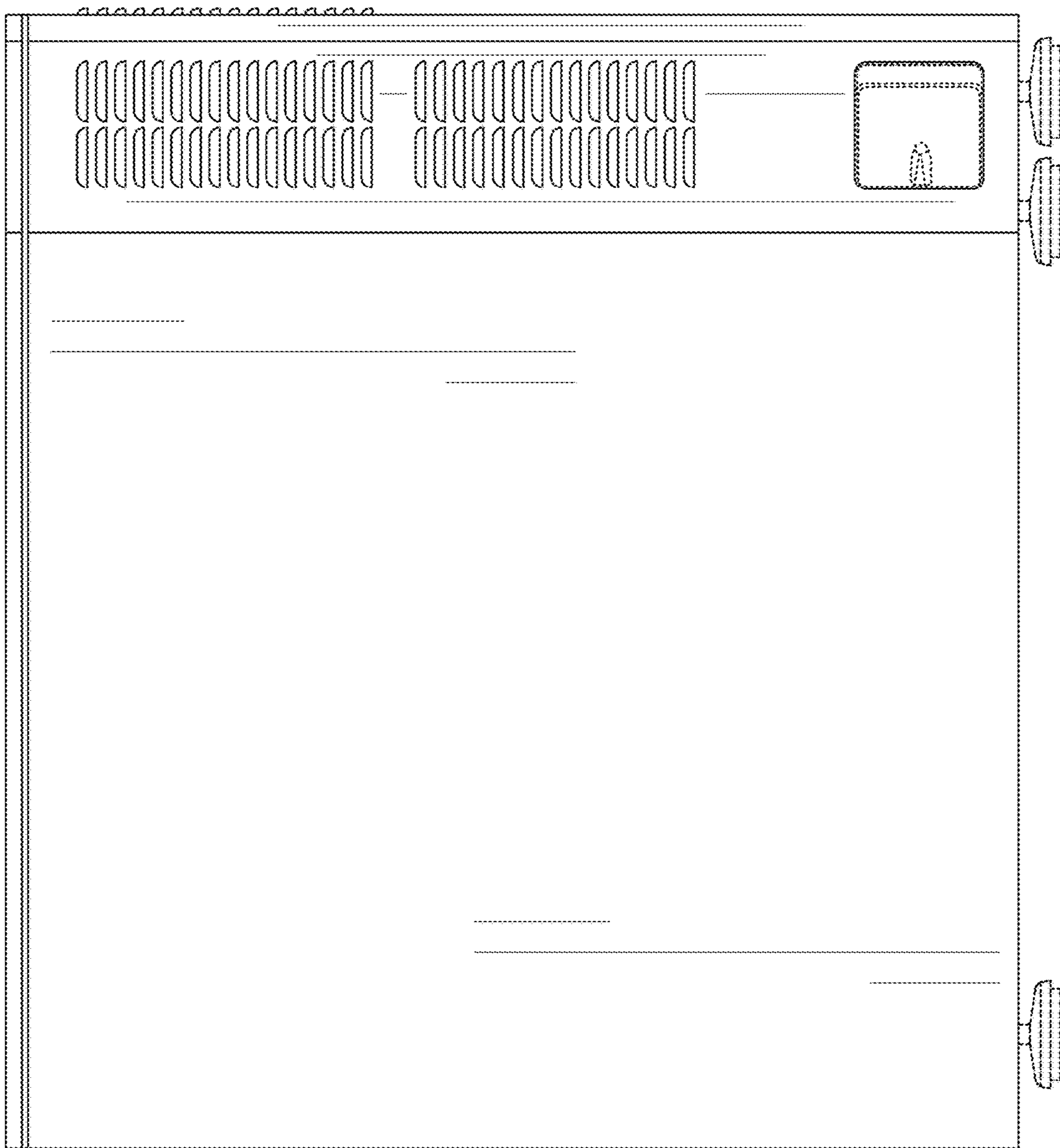


FIG. 6

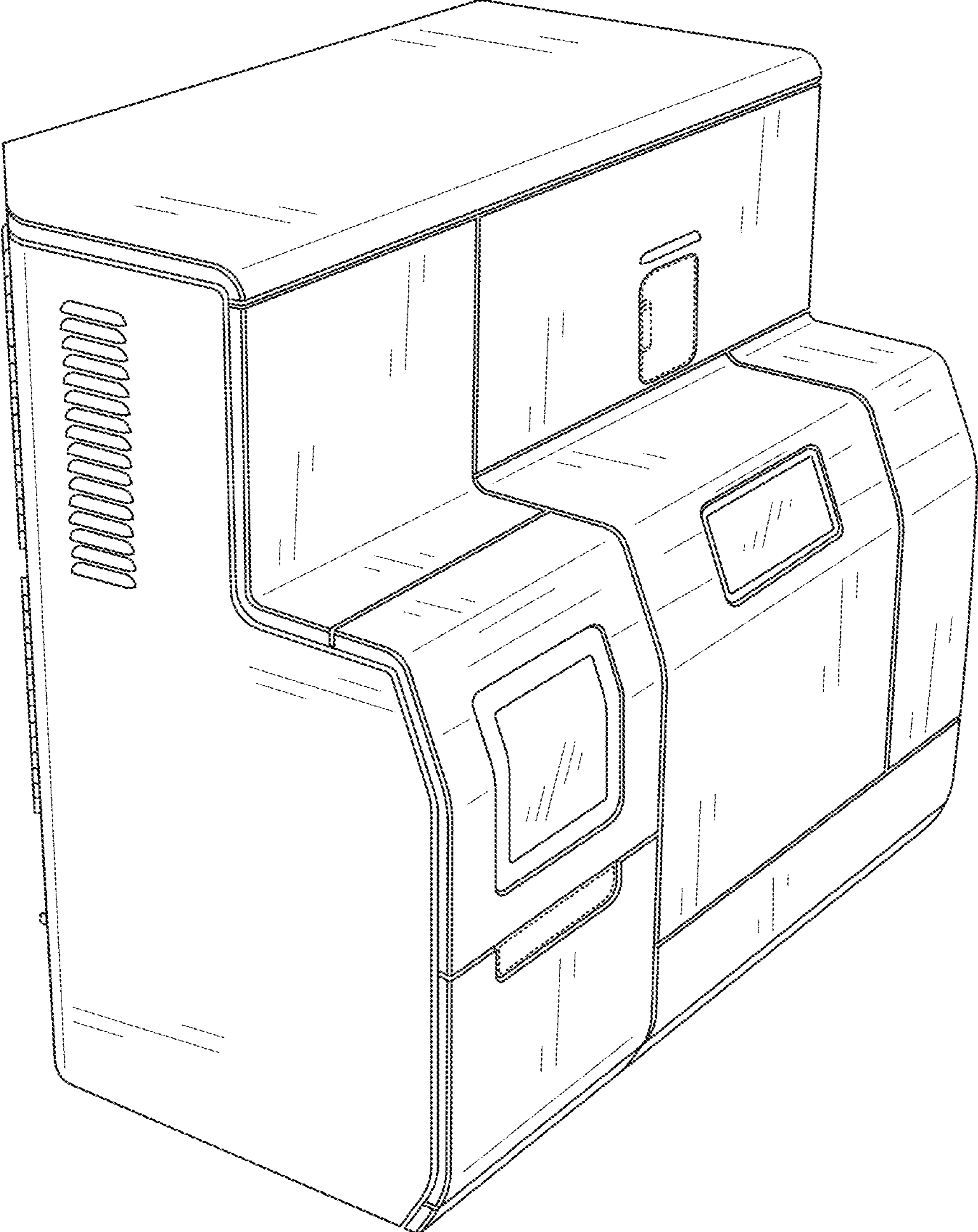


FIG. 7

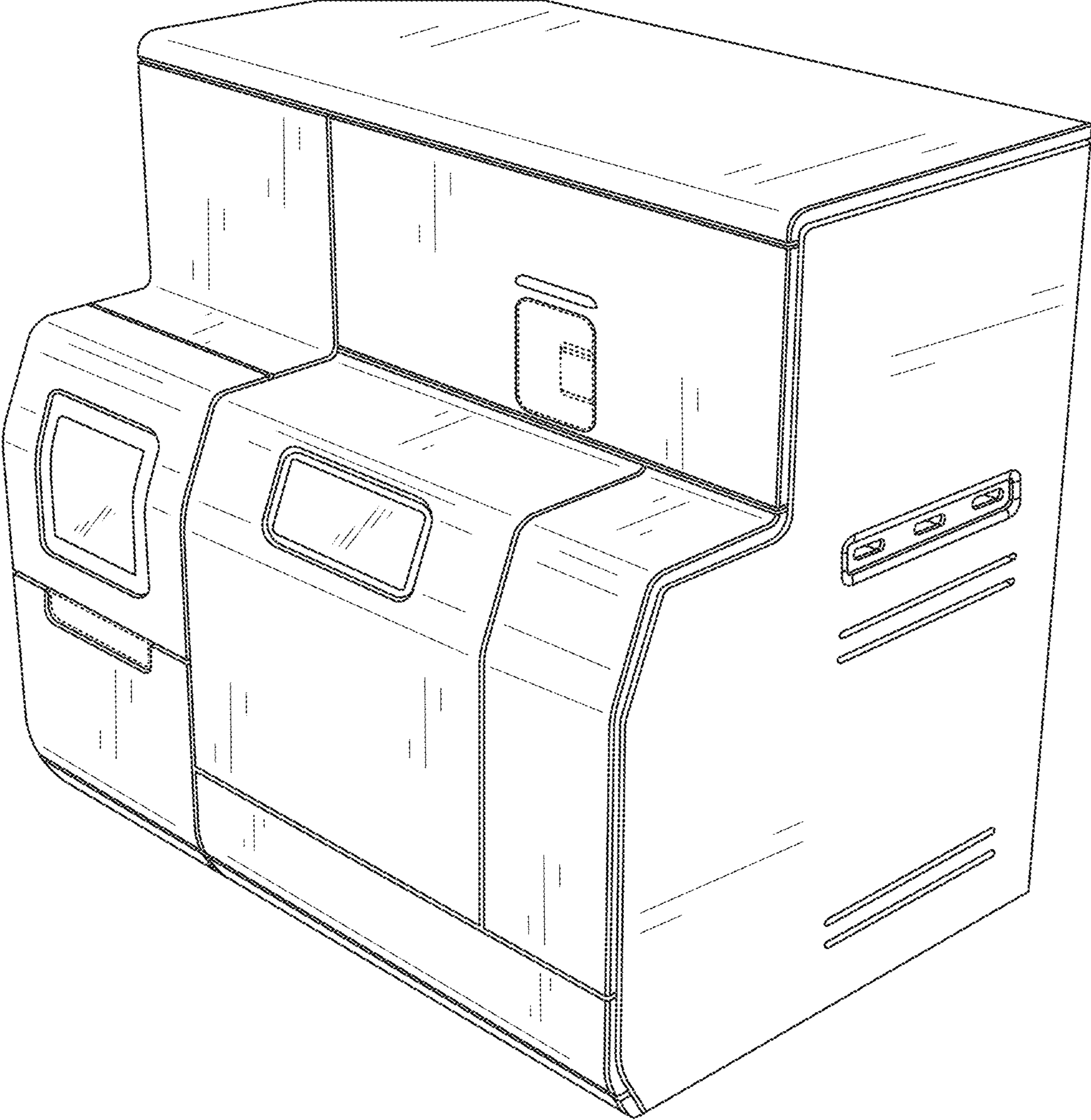


FIG. 8



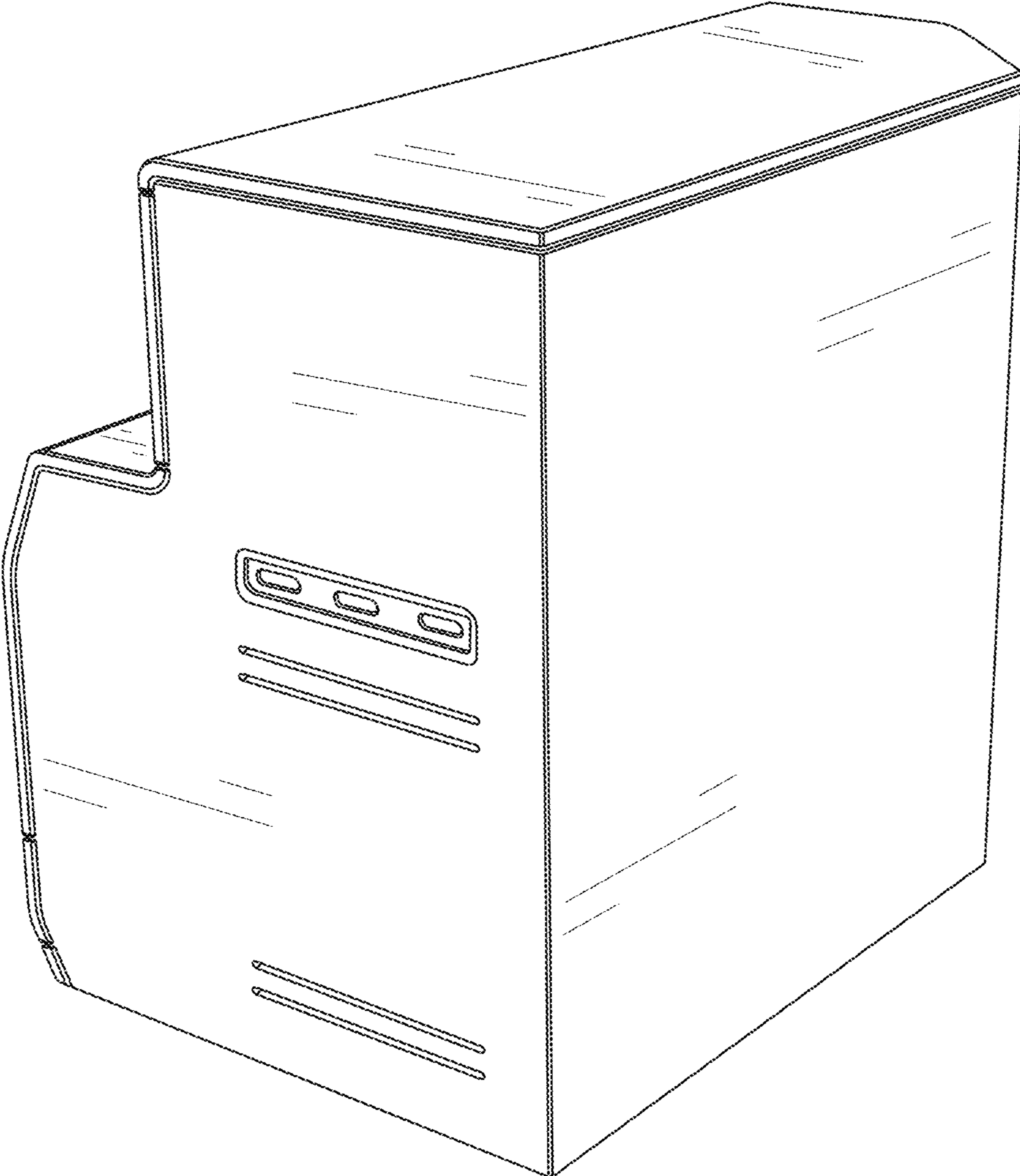


FIG. 9

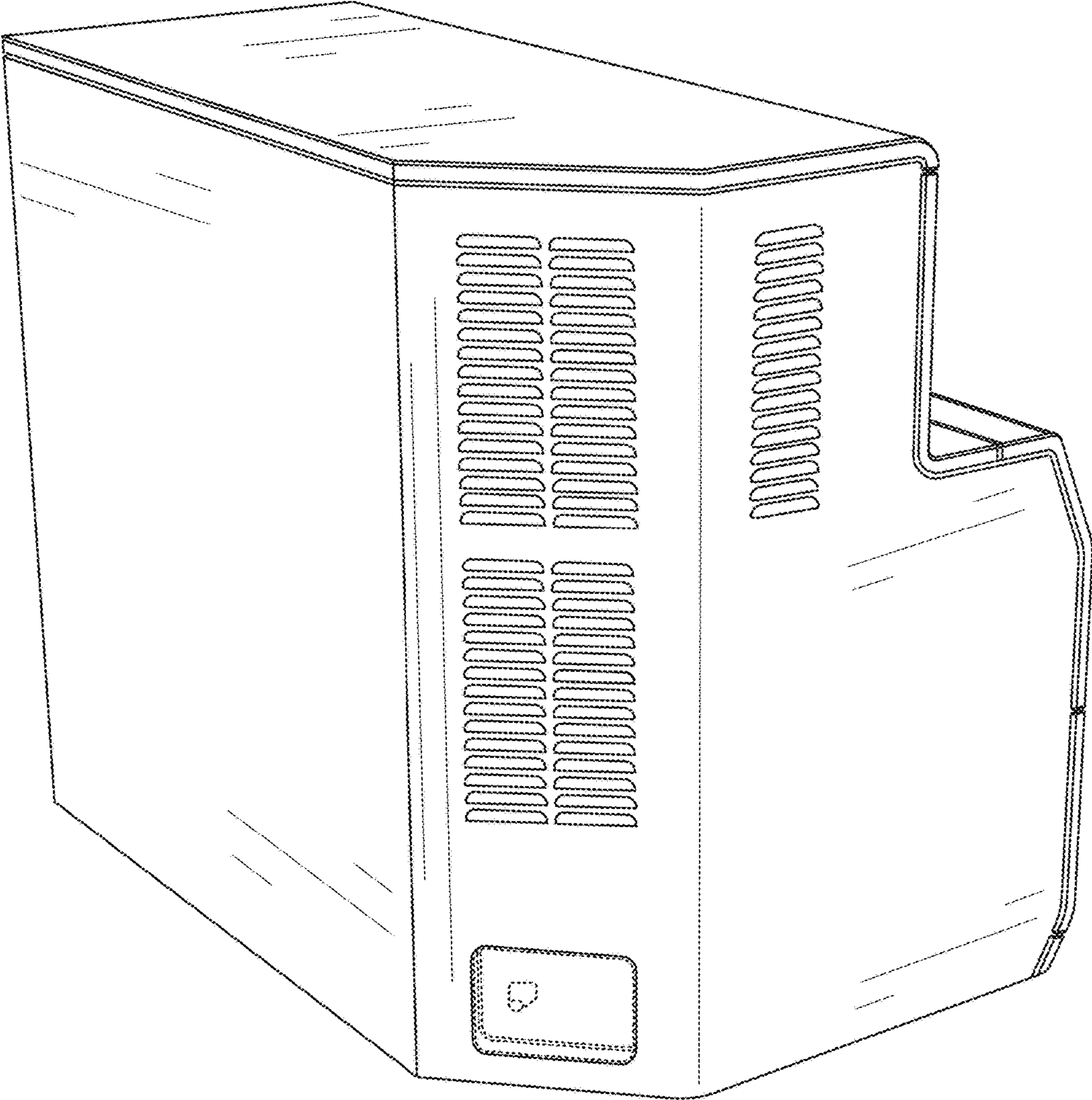


FIG. 10