



US00D841187S

(12) **United States Design Patent** (10) **Patent No.:** **US D841,187 S**
Kurz-Ottenwaelder et al. (45) **Date of Patent:** **** Feb. 19, 2019**

(54) **LABORATORY INSTRUMENT**
(71) Applicant: **Beckman Coulter, Inc.**, Brea, CA (US)
(72) Inventors: **Petra Kurz-Ottenwaelder**, Schwäbisch Gmünd (DE); **Max Ottenwaelder**, Schwäbisch Gmünd (DE)
(73) Assignee: **Beckman Coulter, Inc.**, Brea, CA (US)

(**) Term: **15 Years**

(21) Appl. No.: **29/572,379**

(22) Filed: **Jul. 27, 2016**

(51) **LOC (11) Cl.** **24-01**

(52) **U.S. Cl.**
USPC **D24/232**

(58) **Field of Classification Search**
USPC D24/216, 223, 231–234, 186, 107;
D10/81, 97; 435/286.1, 286.4, 286.5,
435/287.3; 73/863.01, 863.02, 863.03,
73/863.31, 863.32
CPC G01N 2035/00306; G01N 2035/00316;
G01N 2035/00326; G01N 2035/00336;
G01N 2030/027; G01N 21/76
See application file for complete search history.

(56) **References Cited**

U.S. PATENT DOCUMENTS

D320,073 S * 9/1991 Sakagami D24/232
D645,367 S * 9/2011 Hayashi D10/81

D669,189 S * 10/2012 Liu D24/216
D681,226 S * 4/2013 Oonuma D24/216
D681,228 S * 4/2013 Oonuma D24/216
D690,023 S * 9/2013 Chang D24/216
D693,480 S * 11/2013 Spiess D24/232
D724,456 S * 3/2015 Antonczak D10/81
D750,989 S * 3/2016 Shimizu D10/81
D802,156 S * 11/2017 Barton D24/216
D802,785 S * 11/2017 Barton D24/216

* cited by examiner

Primary Examiner — Anhdao Doan

Assistant Examiner — Mary Shannon Malley

(74) *Attorney, Agent, or Firm* — Merchant & Gould P.C.

(57) **CLAIM**

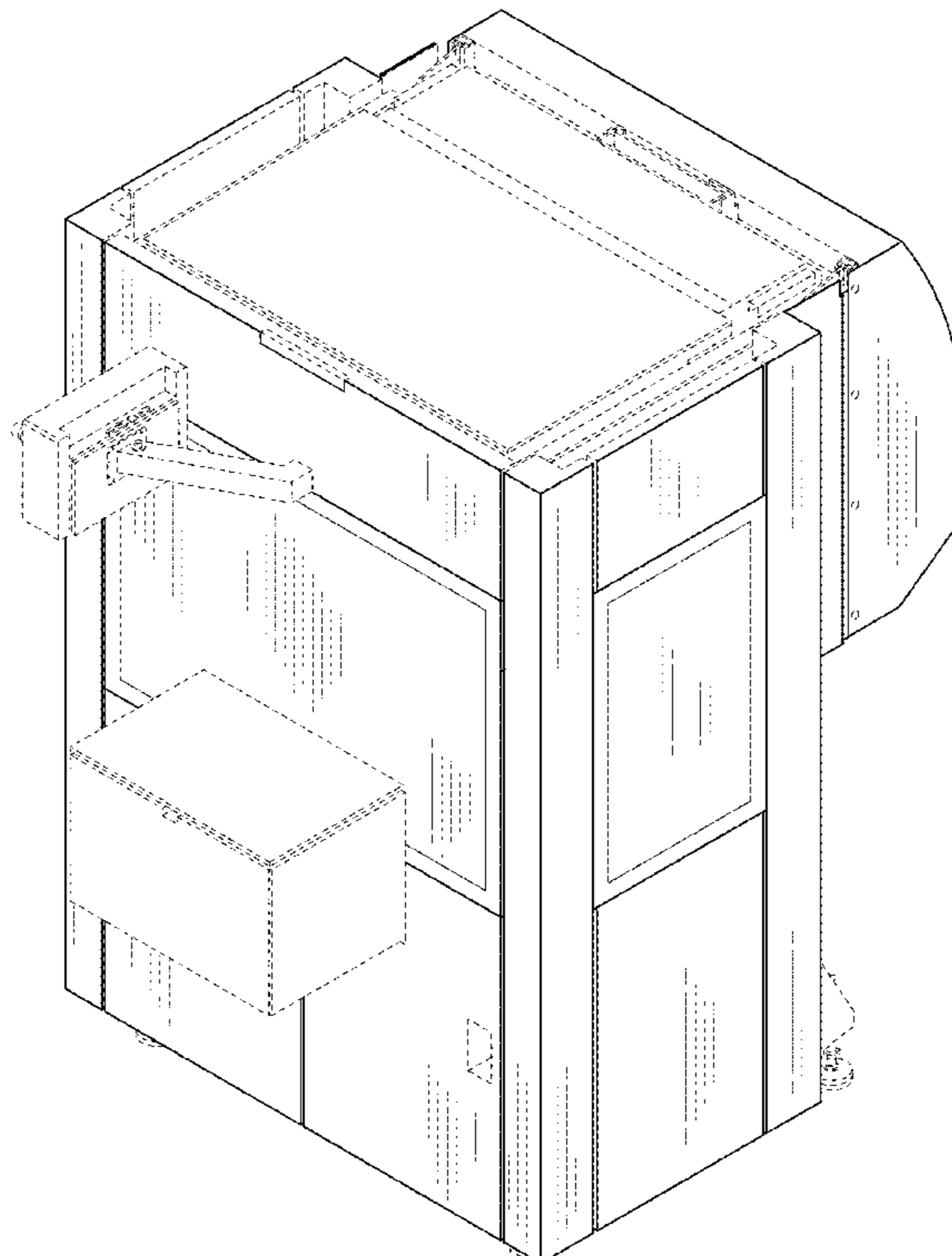
The ornamental design for a laboratory instrument, as shown and described.

DESCRIPTION

FIG. 1 is a perspective view of the laboratory instrument;
FIG. 2 is a front view thereof;
FIG. 3 is a rear view thereof;
FIG. 4 is a right side view thereof;
FIG. 5 is a left side view thereof;
FIG. 6 is a top view thereof; and,
FIG. 7 is a bottom view thereof.

The broken lines show portions of the laboratory instrument that form no part of the claimed design.

1 Claim, 7 Drawing Sheets



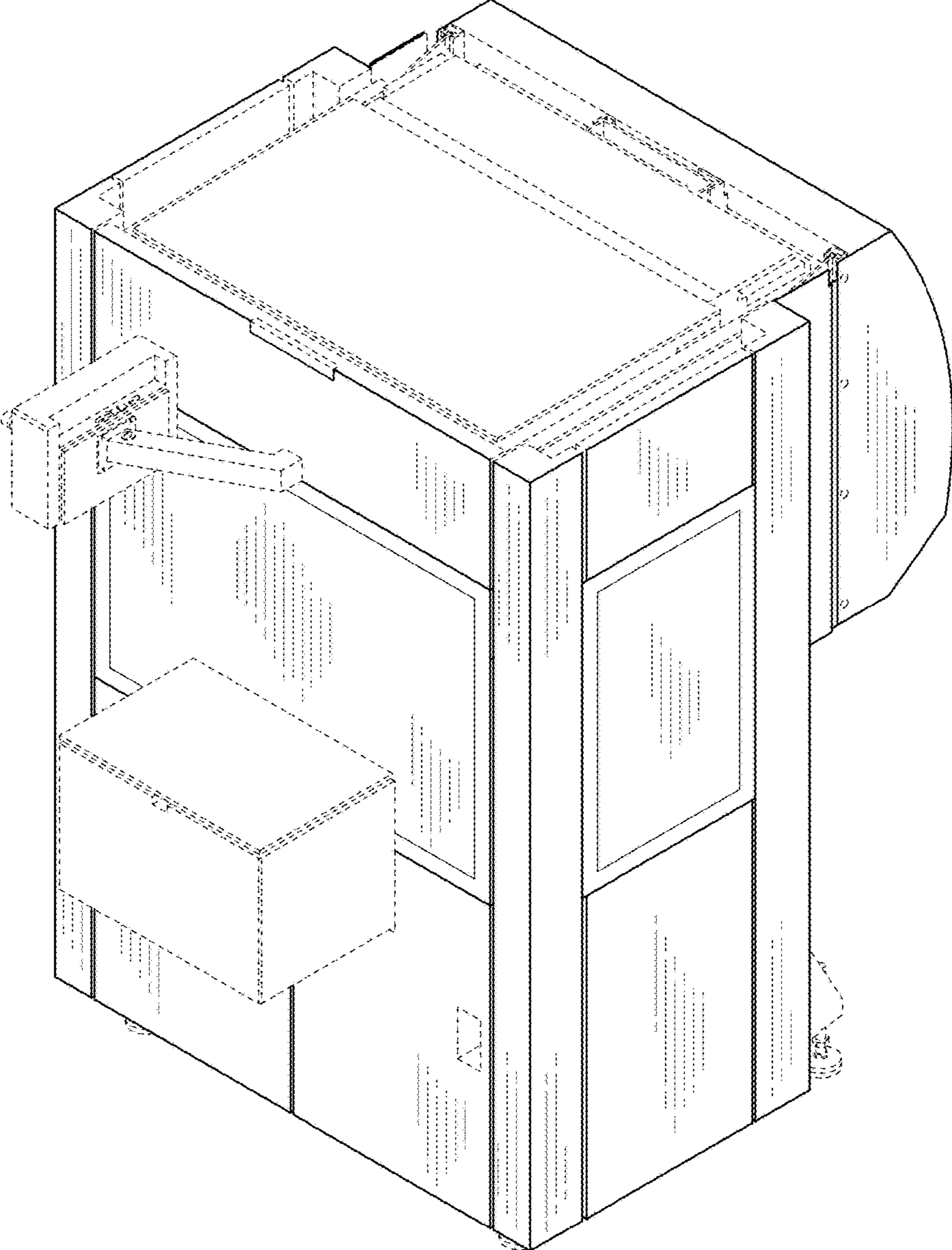


FIG. 1

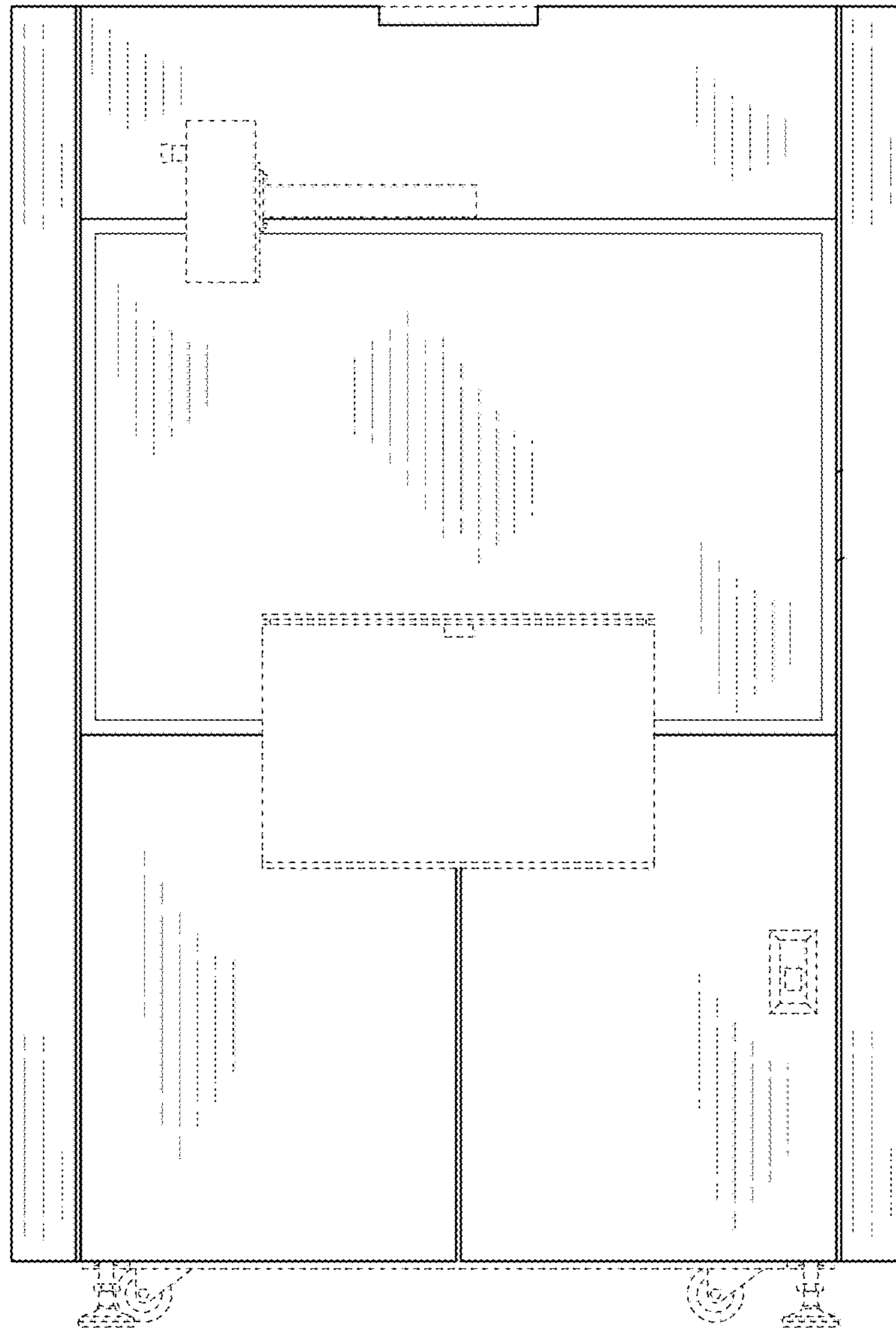


FIG. 2

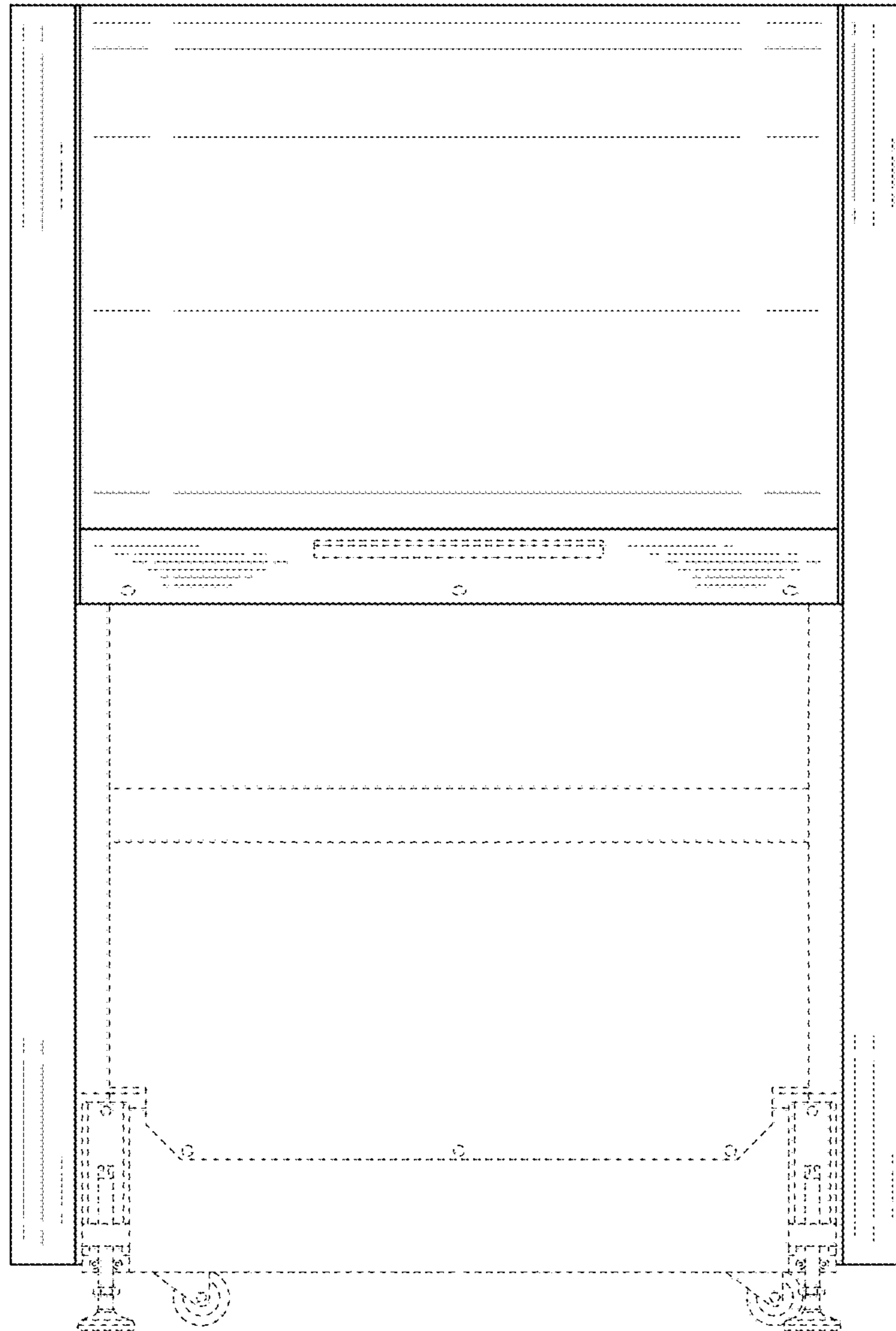


FIG. 3

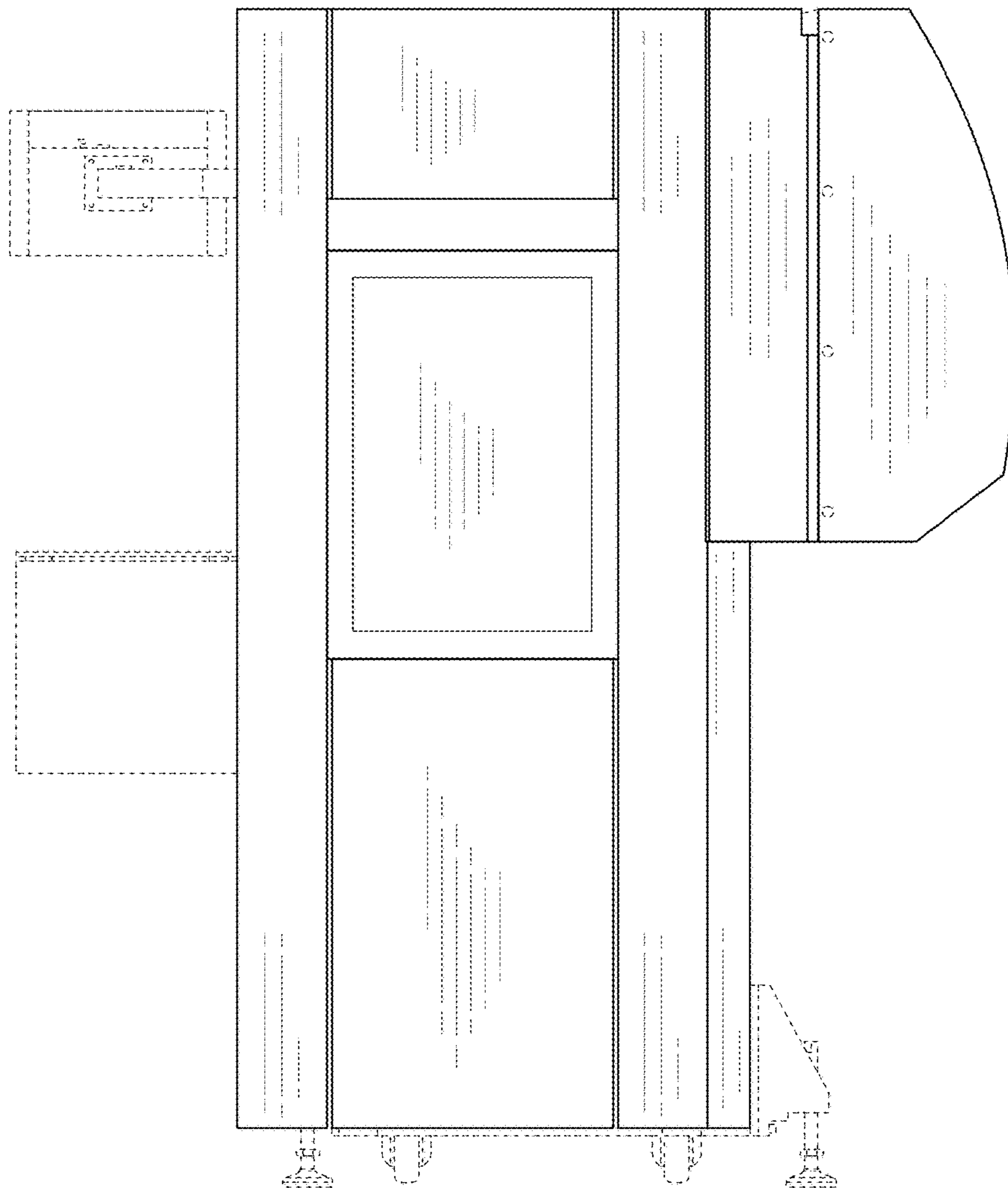


FIG. 4

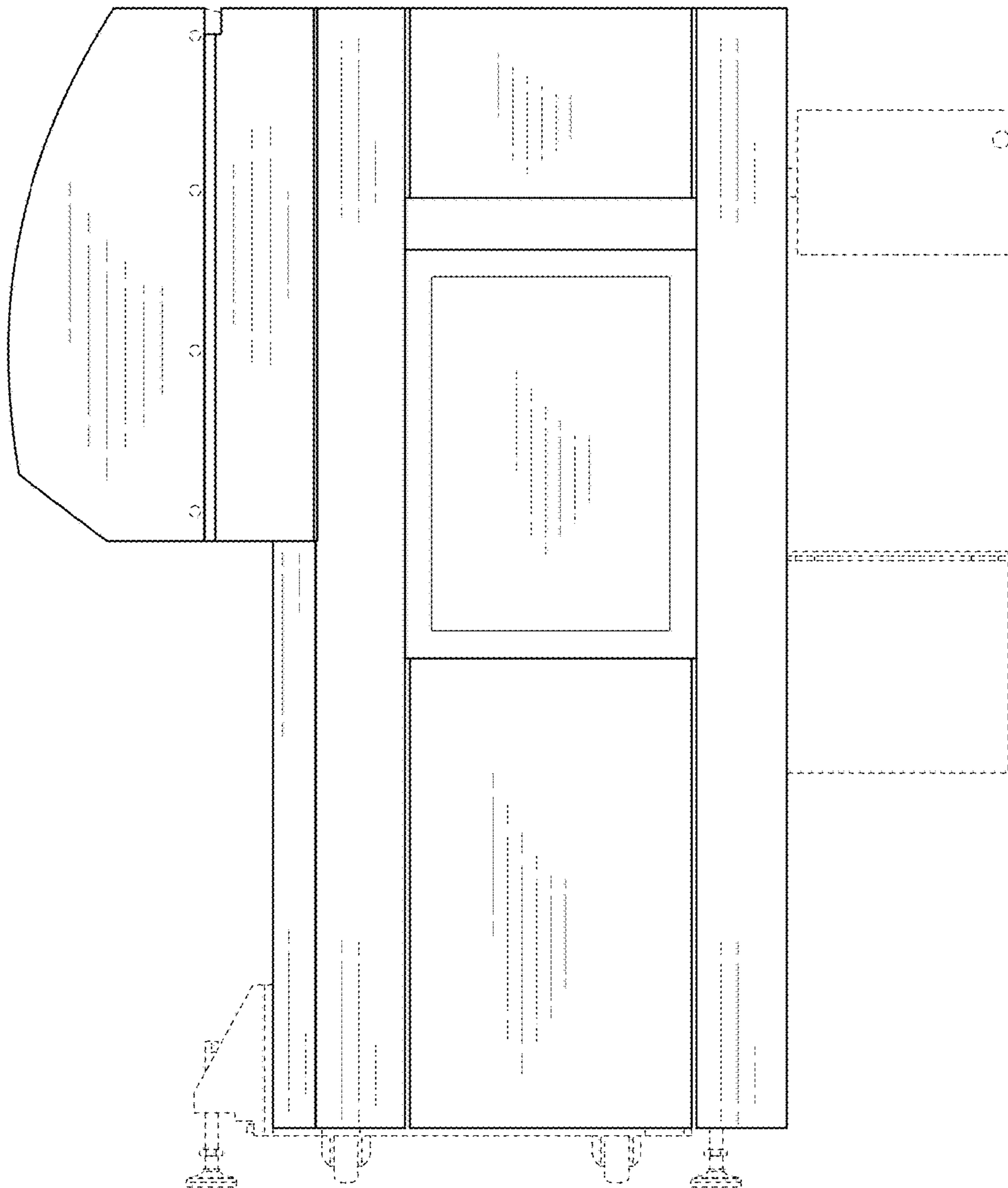


FIG. 5

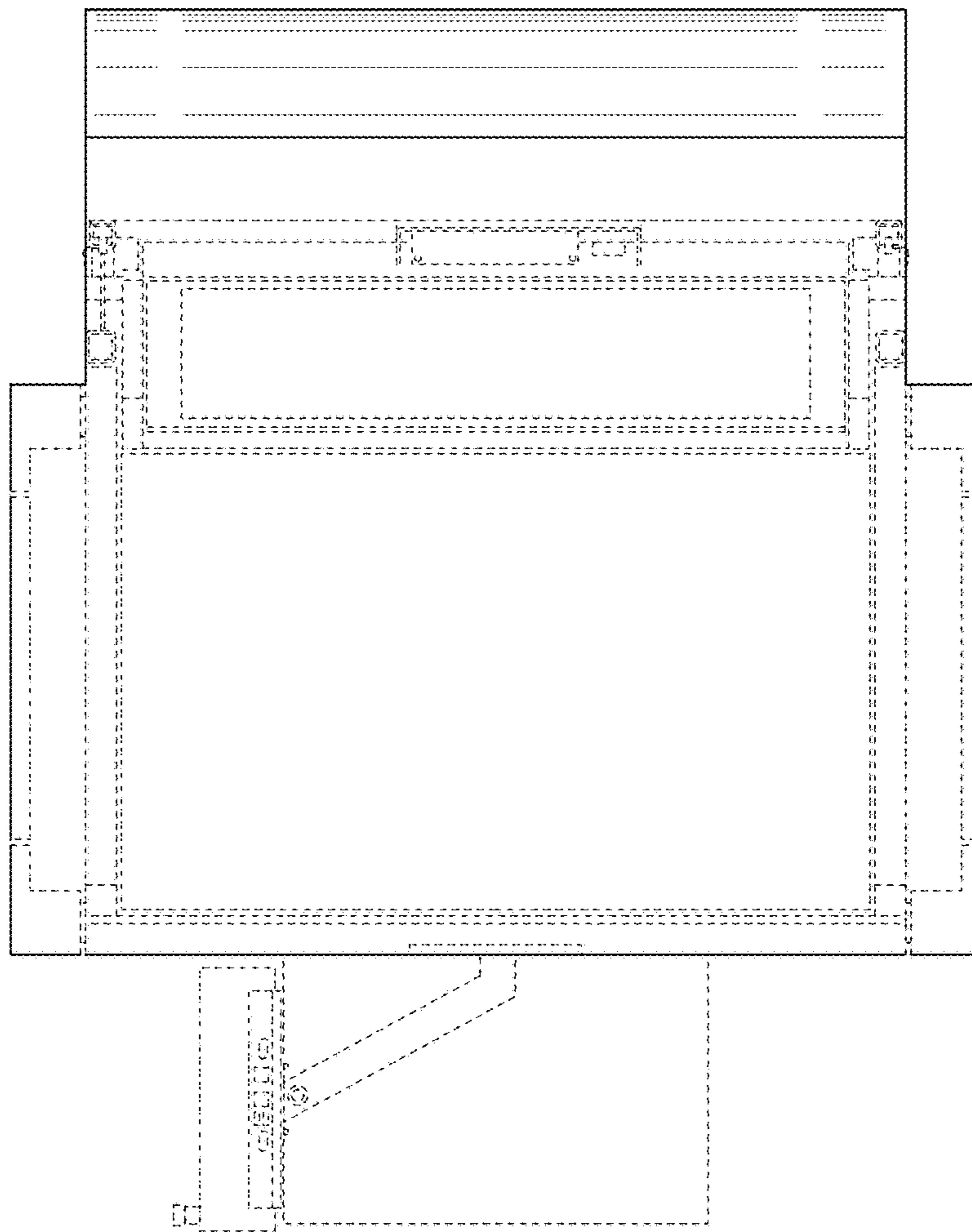


FIG. 6

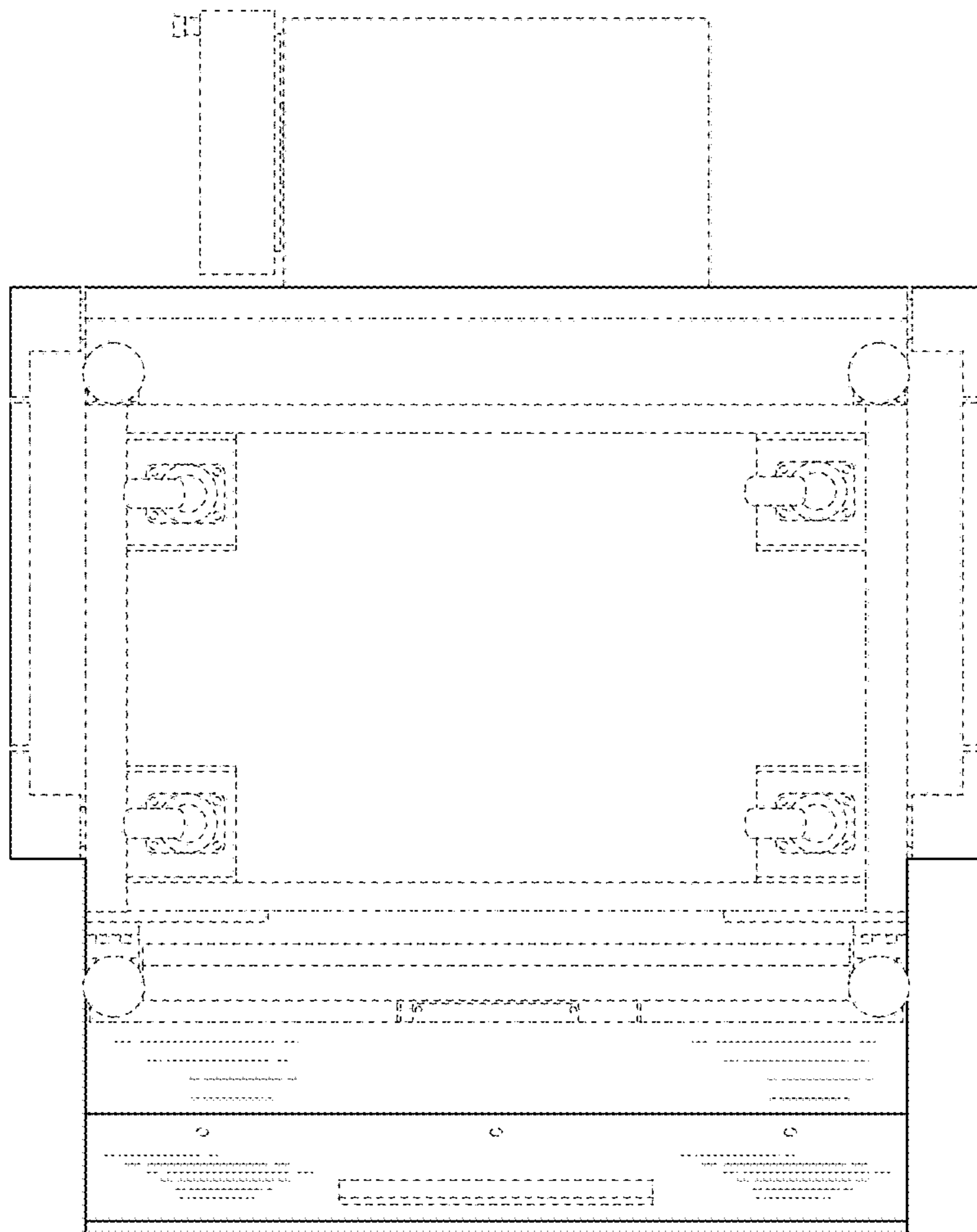


FIG. 7