



US00D841184S

(12) **United States Design Patent** (10) **Patent No.:** **US D841,184 S**
Viola et al. (45) **Date of Patent:** **** Feb. 19, 2019**

- (54) **TRANSPARENT HEMOSTASIS MEASUREMENT CARTRIDGE**
- (71) Applicant: **HemoSonics LLC**, Charlottesville, VA (US)
- (72) Inventors: **Francesco Viola**, Charlottesville, VA (US); **Timothy Higgins**, Charlottesville, VA (US); **Andrew Homyk**, Charlottesville, VA (US); **F. Scott Corey**, Baltimore, MD (US); **Franklin F. Regan, IV**, Baltimore, MD (US); **William F. Walker**, Charlottesville, VA (US); **David Bryant**, Charlottesville, VA (US); **Thomas Givens**, Charlottesville, VA (US)
- (73) Assignee: **HemoSonics LLC**, Charlottesville, VA (US)

(**) Term: **15 Years**

(21) Appl. No.: **29/606,654**

(22) Filed: **Jun. 6, 2017**

(51) **LOC (11) Cl.** **24-01**

(52) **U.S. Cl.**
USPC **D24/224; D24/216**

(58) **Field of Classification Search**
USPC D24/121, 216, 219–221, 224–233; D10/81
CPC .. B01L 3/502715; B01L 3/508; B01L 3/5085; B01L 3/50855; B01L 3/52; B01L 3/523; B01L 3/527; B01L 2200/16; B01L 2200/18; B01L 2300/0809; B01L 2300/0816; B01L 2300/0825; G01N 2021/0346

See application file for complete search history.

(56) **References Cited**

U.S. PATENT DOCUMENTS

- D382,647 S * 8/1997 Staples D24/216
- D409,758 S * 5/1999 Warden D24/216

- 6,016,712 A 1/2000 Warden et al.
- D636,893 S * 4/2011 Nicholls D24/225
- D650,911 S * 12/2011 Odeh D24/225
- D655,423 S * 3/2012 Nielsen D24/216
- D706,930 S * 6/2014 Lin D24/216
- D730,536 S * 5/2015 Mangan D24/225
- 9,272,280 B2 * 3/2016 Viola B01L 3/5027

(Continued)

OTHER PUBLICATIONS

F. Scott Corey and William F. Walker, “Sonic Estimation of Elasticity via Resonance: A New Method of Assessing Hemostasis”, *Ann Biomed Eng.* May 2016 ; 44(5): 1405-1424.

Primary Examiner — Anhdao Doan

(74) *Attorney, Agent, or Firm* — Meunier Carlin & Curfman LLC

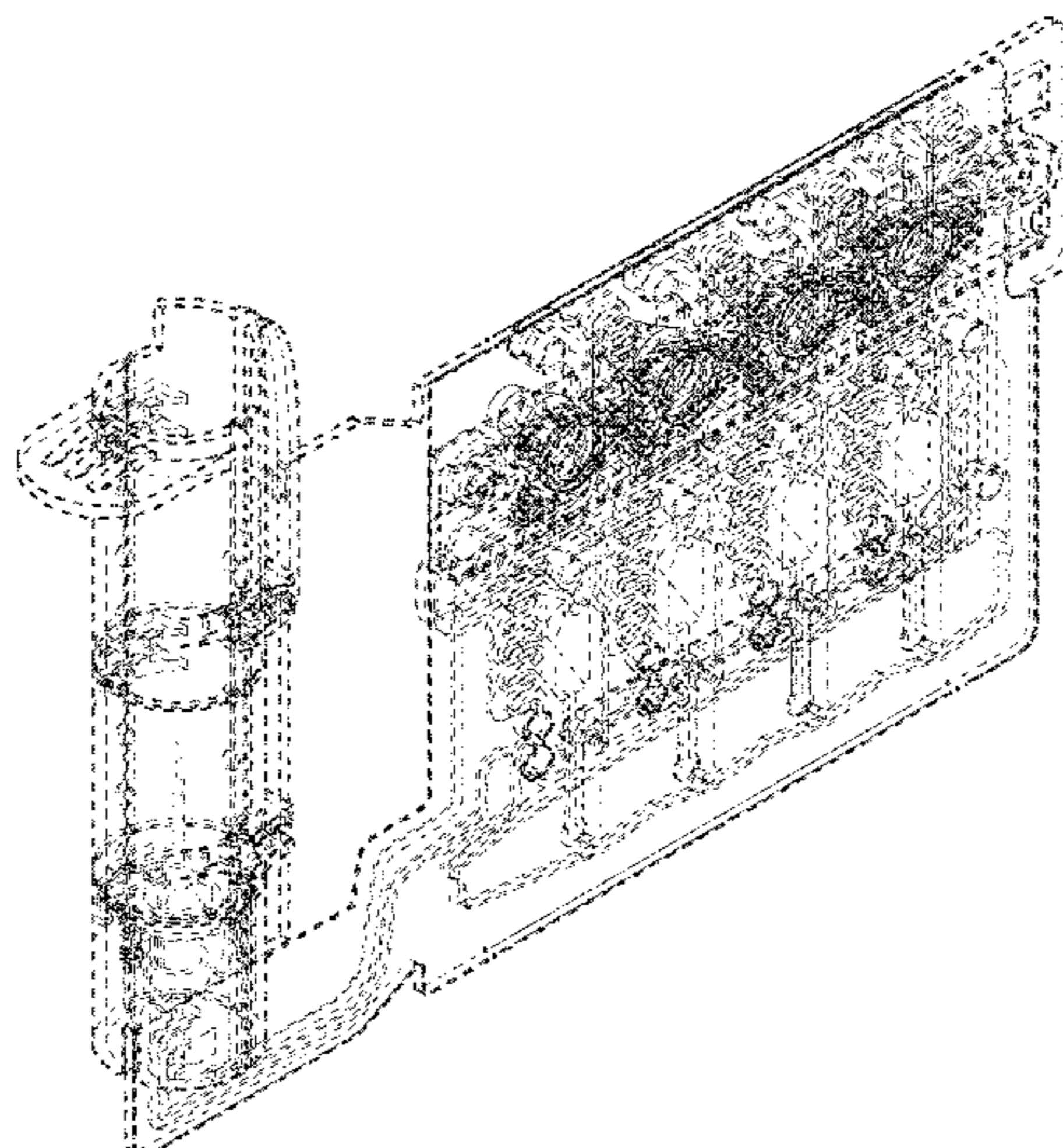
(57) **CLAIM**

The ornamental design for a transparent hemostasis measurement cartridge, as shown and described.

DESCRIPTION

FIG. 1 is a front perspective view of our new design. FIG. 2 is rear perspective view of the design shown in FIG. 1. FIG. 3 is a front view of the design shown in FIG. 1. FIG. 4 is a rear view of the design shown in FIG. 1. FIG. 5 is a left-side view of the design shown in FIG. 1. FIG. 6 is a right-side view of the design shown in FIG. 1. FIG. 7 is a top view of the design shown in FIG. 1; and, FIG. 8 is a bottom view of the design shown in FIG. 1. The dotted lines are shown to indicate a boundary of the claimed design and form no part of the claimed design. The dashed lines shown in the drawings are included for the purpose of showing the remaining portions of the transparent hemostasis measurement cartridge and form no part of the claimed design.

1 Claim, 8 Drawing Sheets



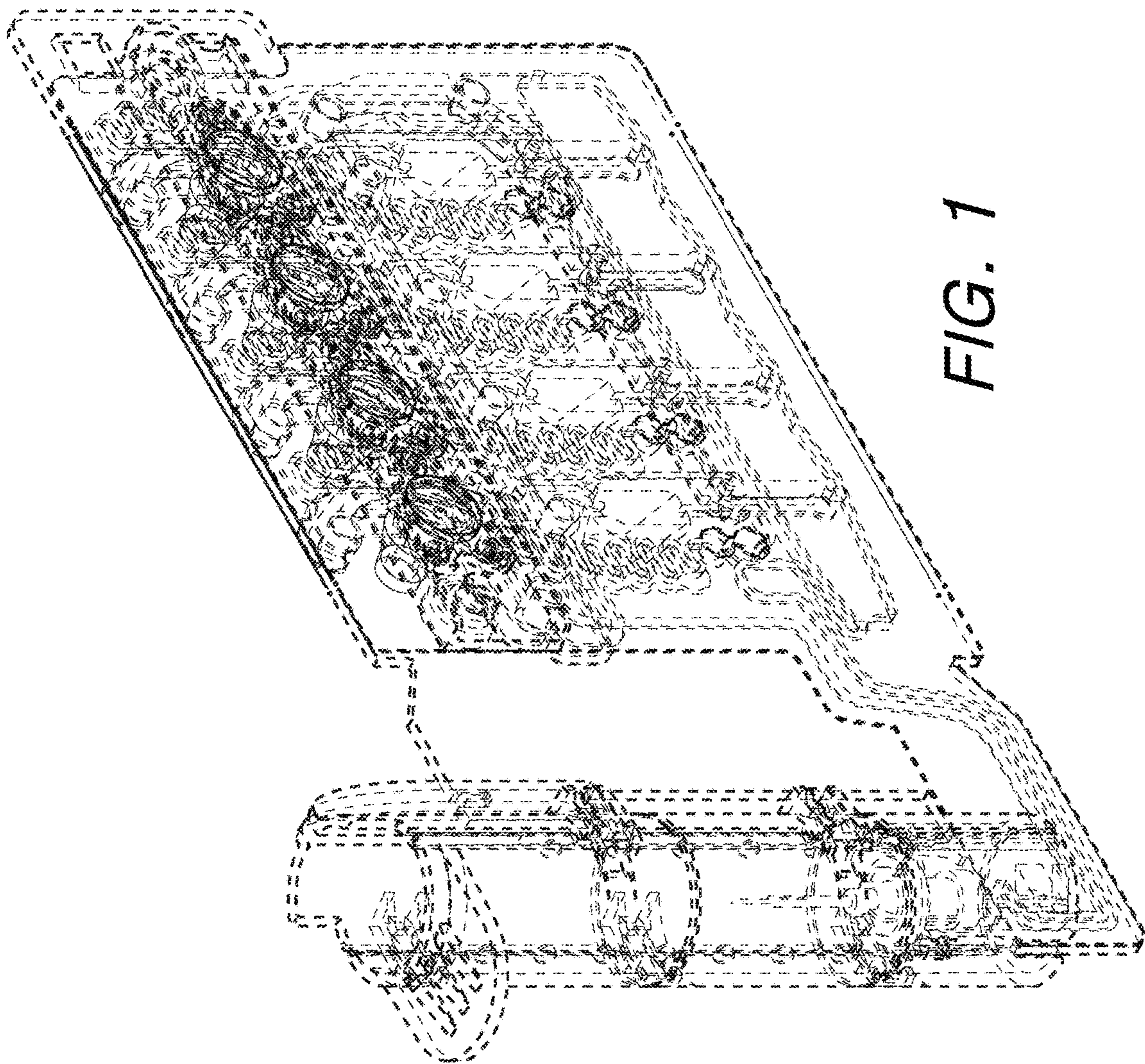
(56)

References Cited

U.S. PATENT DOCUMENTS

D777,343 S * 1/2017 Gorin D24/216
D804,682 S * 12/2017 Taylor D24/225
2011/0312535 A1* 12/2011 Gohring B01L 3/502715
506/12
2012/0294767 A1 11/2012 Viola et al.
2013/0244241 A1* 9/2013 Carrera Fabra C12M 23/42
435/6.12
2016/0274067 A1 9/2016 Walker et al.

* cited by examiner



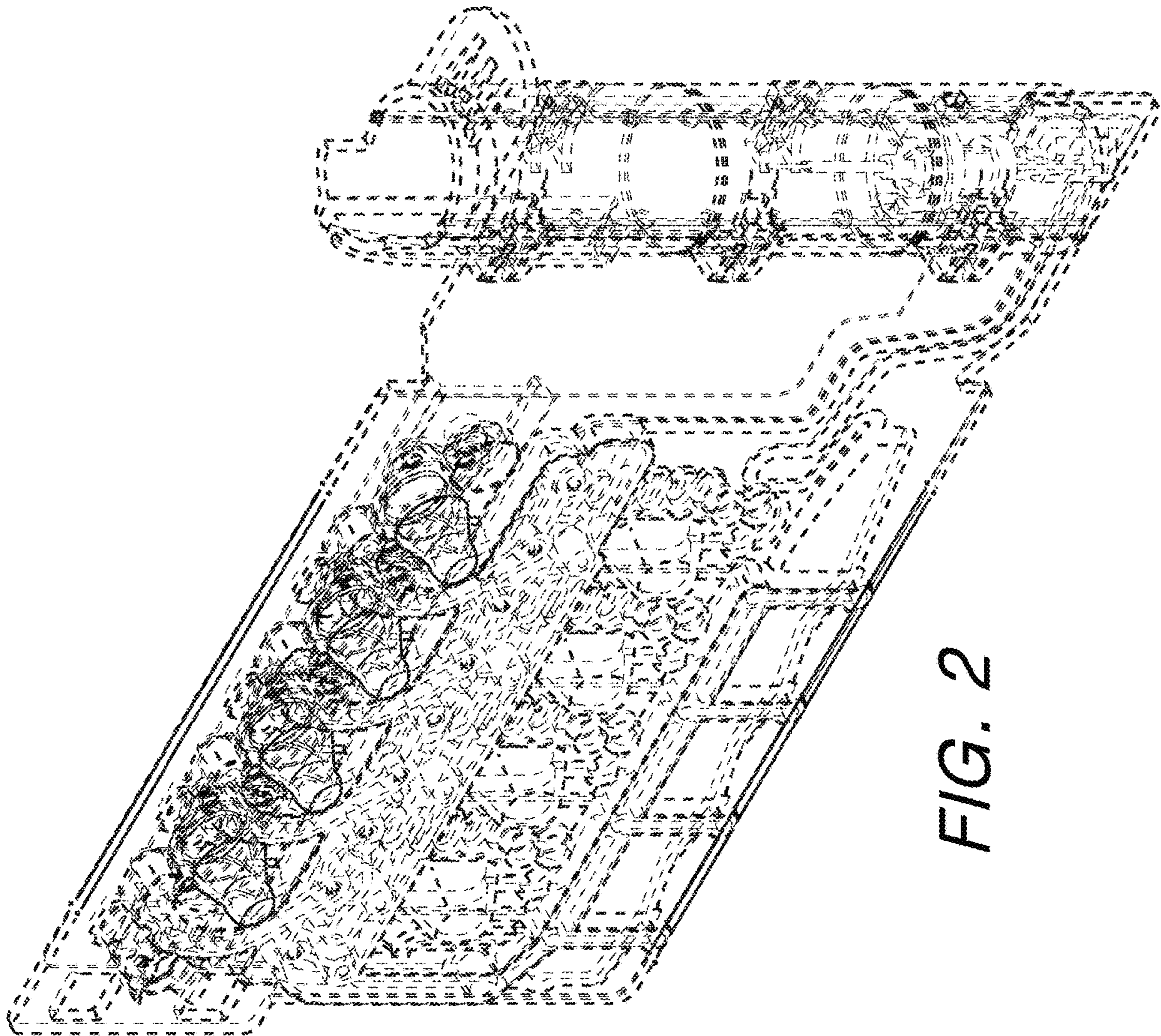


FIG. 2

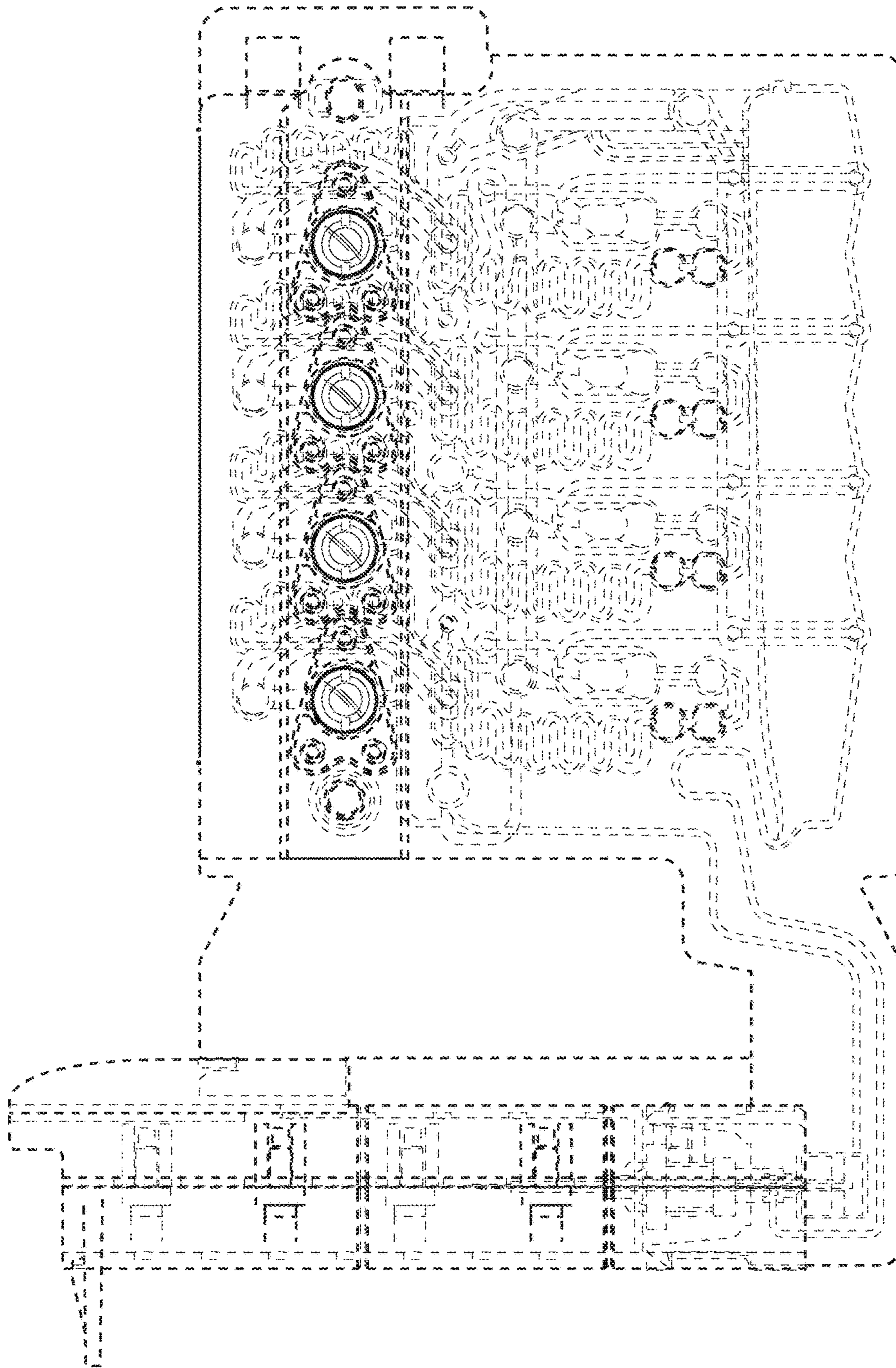


FIG. 3

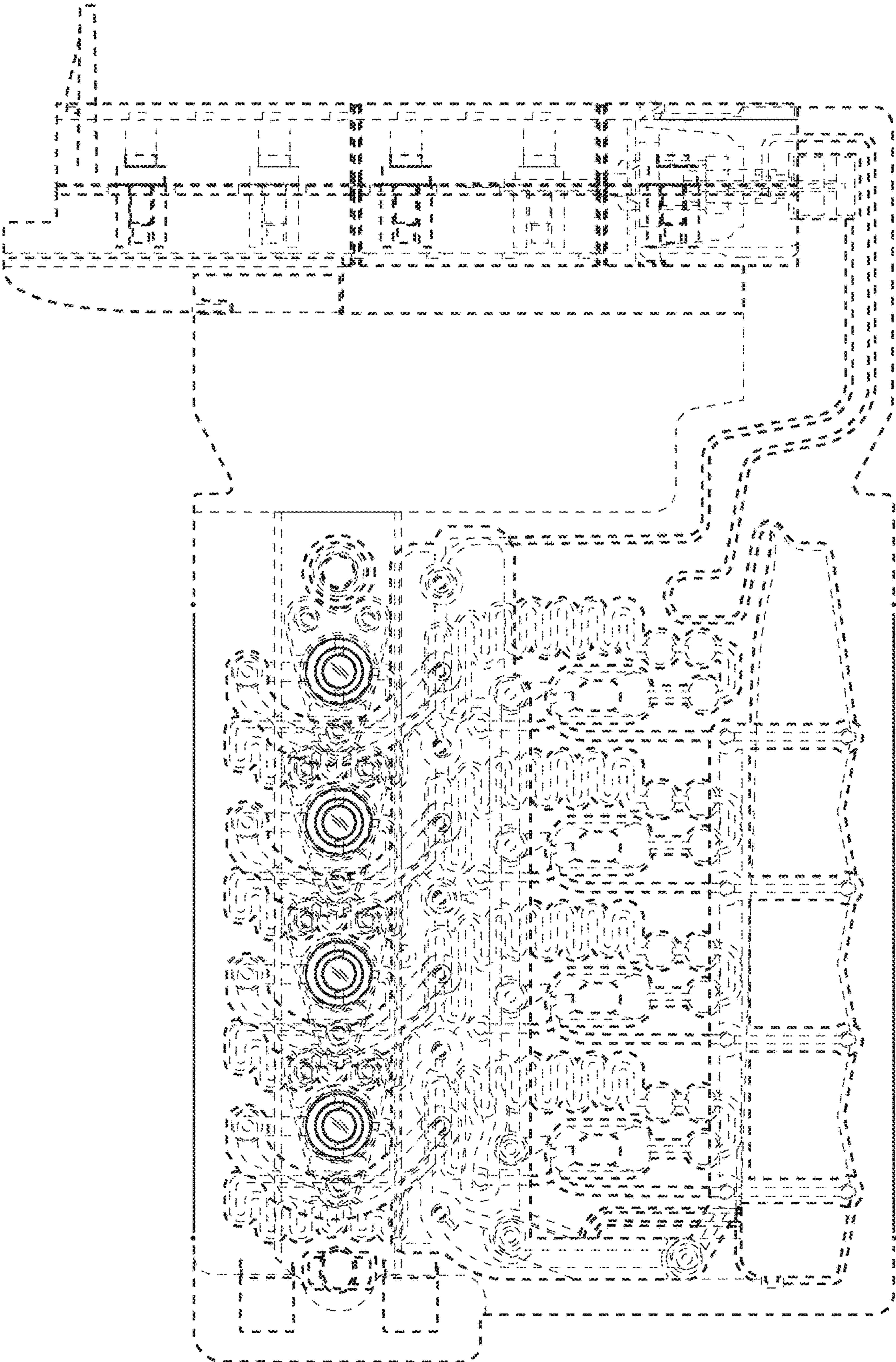


FIG. 4

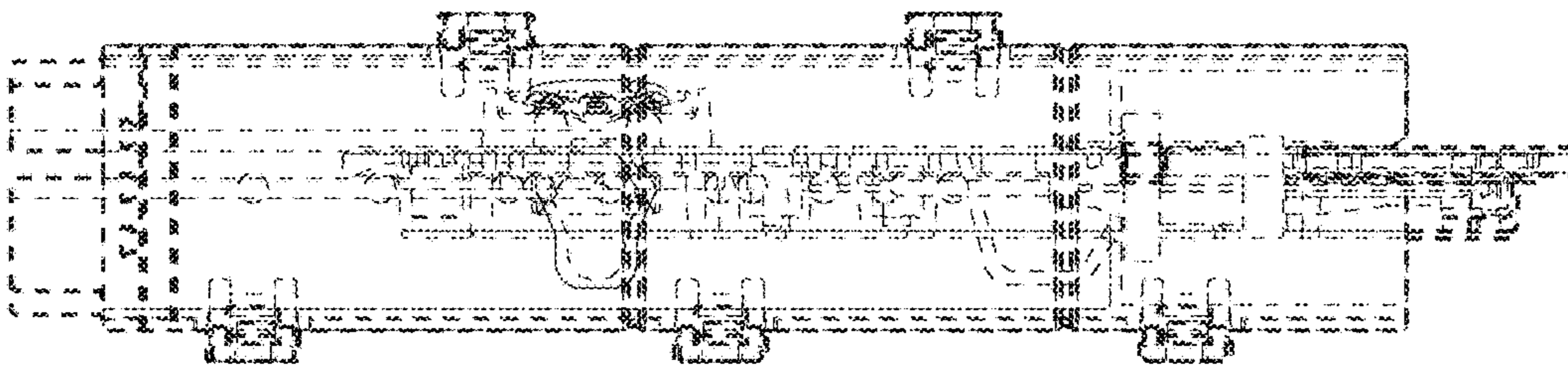


FIG. 5

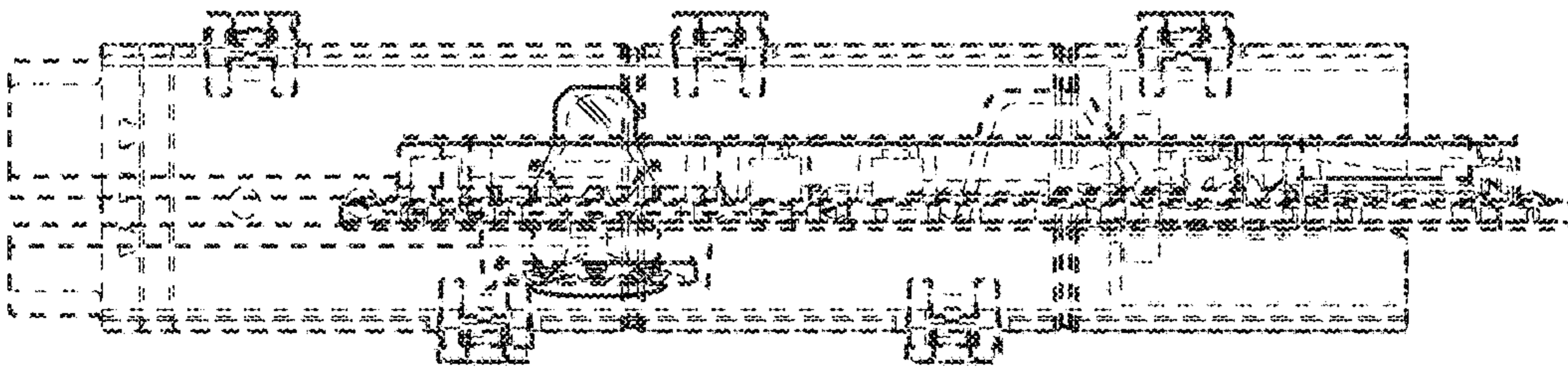


FIG. 6

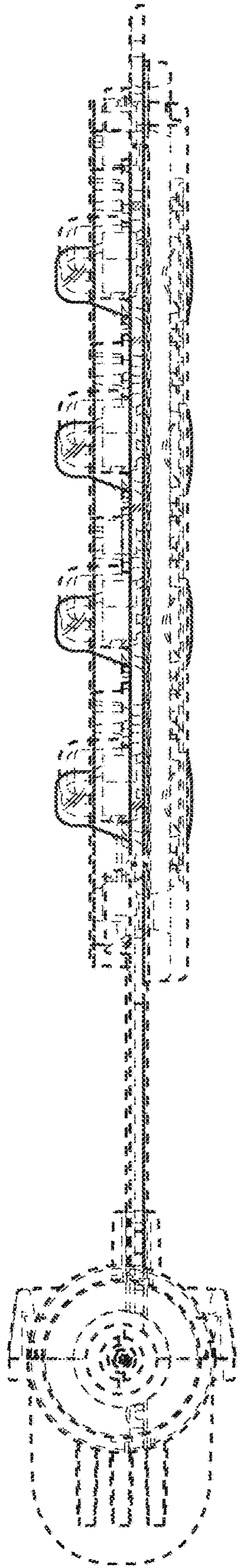


FIG. 7

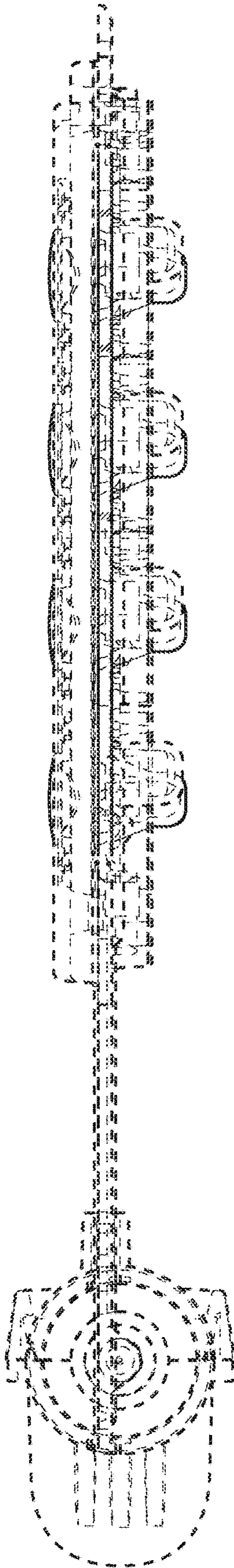


FIG. 8