



US00D841183S

(12) **United States Design Patent** (10) **Patent No.:** **US D841,183 S**  
**Walden, II et al.** (45) **Date of Patent:** **\*\* Feb. 19, 2019**

- (54) **WINDOW E-CHIP FOR AN ELECTRON MICROSCOPE**
- (71) Applicant: **PROTOCHIPS, INC.**, Morrisville, NC (US)
- (72) Inventors: **Franklin Stampley Walden, II**, Raleigh, NC (US); **John Damiano, Jr.**, Apex, NC (US); **David P. Nackashi**, Raleigh, NC (US); **Daniel S. Gardiner**, Wake Forest, NC (US)
- (73) Assignee: **PROTOCHIPS, INC.**, Morrisville, NC (US)
- (\*\*) Term: **15 Years**
- (21) Appl. No.: **29/557,335**
- (22) Filed: **Mar. 8, 2016**
- (51) **LOC (11) Cl.** ..... **24-02**
- (52) **U.S. Cl.**  
USPC ..... **D24/224**
- (58) **Field of Classification Search**  
USPC ..... D24/224-227, 216; 378/45, 78, 79;  
250/441.11, 442.11, 443.1  
CPC ..... G01N 23/20025; G01N 23/0033; G01N  
23/0041; H01J 37/20  
See application file for complete search history.

(56) **References Cited**

U.S. PATENT DOCUMENTS

5,084,910	A *	1/1992	Albe	.....	G01N 23/20025 378/208
5,350,923	A *	9/1994	Bassignana	.....	G01N 23/20025 250/453.11
5,390,230	A *	2/1995	Chang	.....	G01N 23/20025 378/79
6,224,445	B1	5/2001	Neukermans et al.		
D491,273	S *	6/2004	Biegler	.....	D24/216

(Continued)

*Primary Examiner* — Susan Bennett Hattan  
*Assistant Examiner* — Rebecca Tsehaye  
(74) *Attorney, Agent, or Firm* — NK Patent Law

(57) **CLAIM**

We claim the ornamental design for a window E-chip for an electron microscope, as shown and described.

**DESCRIPTION**

FIG. 1 is a perspective view of the window E-chip for an electron microscope of the invention having a rectangular window.

FIG. 2 is a top plan view of the window E-chip for an electron microscope of FIG. 1.

FIG. 3 is a bottom view of the window E-chip for an electron microscope of FIG. 1.

FIG. 4 is side view of the window E-chip for an electron microscope of FIG. 1.

FIG. 5 is a perspective view of the window E-chip for an electron microscope of the invention having a square window.

FIG. 6 is a top plan view of the window E-chip for an electron microscope of FIG. 5.

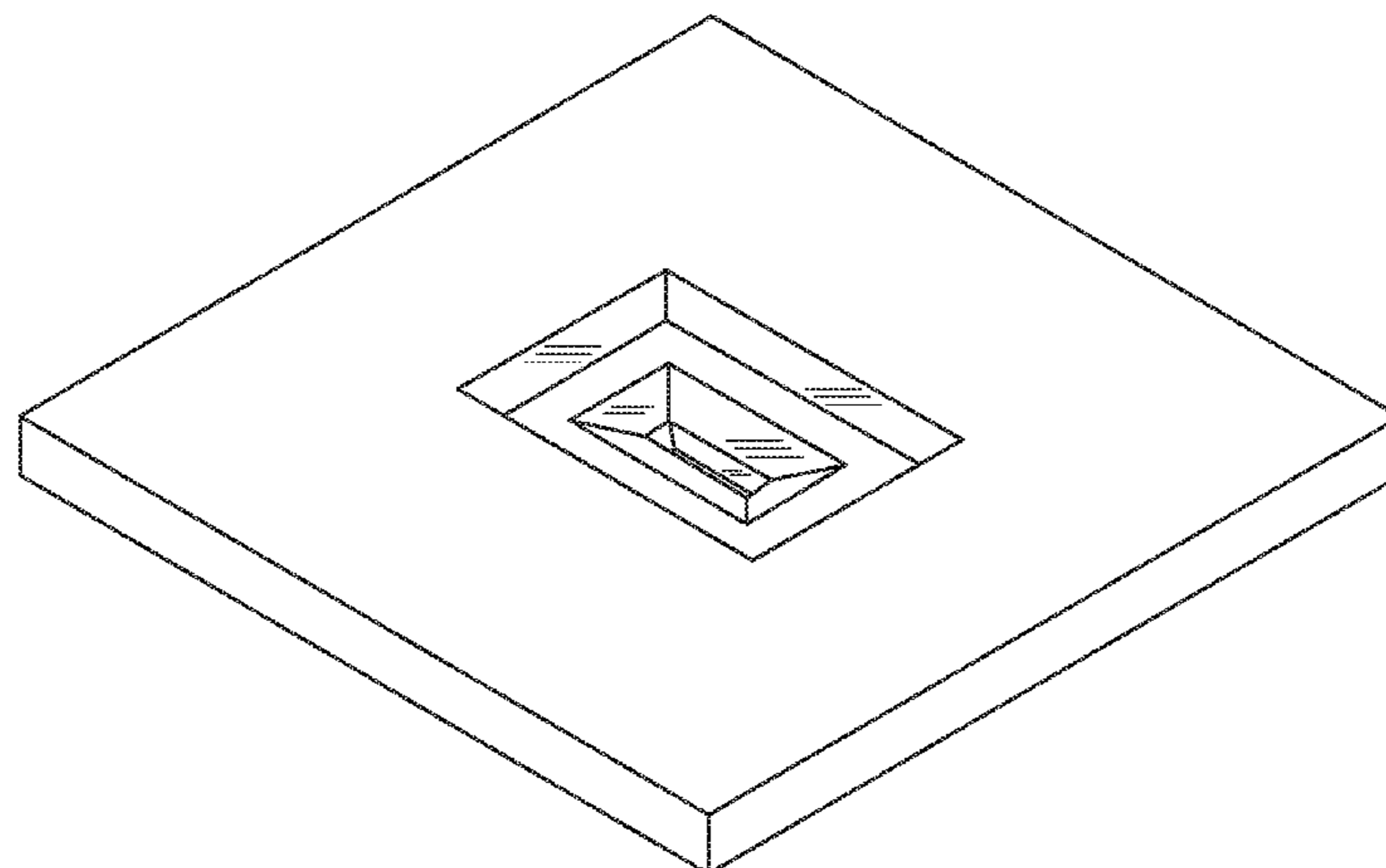
FIG. 7 is a bottom view of the window E-chip for an electron microscope of FIG. 5.

FIG. 8 is a side view of the window E-chip for an electron microscope of FIG. 5.

FIG. 9 is a perspective view of the window E-chip for an electron microscope of FIG. 5 in a condition of use in one embodiment of an electron microscopy sample holder; and, FIG. 10 is a perspective view of the window E-chip for an electron microscope of FIG. 1 in a condition of use in a second embodiment of an electron microscopy sample holder.

Broken lines, which form no part of the claimed design, are used for illustrative purposes to show an environment of the claimed design in a condition of use.

**1 Claim, 8 Drawing Sheets**



(56)

References Cited

U.S. PATENT DOCUMENTS

6,968,037	B2 *	11/2005	Rosso .....	B01L 3/50255 378/71
D566,291	S *	4/2008	Parunak .....	D24/224
7,713,053	B2	5/2010	Mick et al.	
D628,709	S *	12/2010	Burdett, Jr. ....	D24/216
8,405,047	B2 *	3/2013	Chen .....	H01J 37/20 250/306
8,466,432	B2	6/2013	Damiano, Jr. et al.	
8,513,621	B2	8/2013	Nackashi et al.	
8,575,566	B2 *	11/2013	Chen .....	H01J 37/20 250/440.11
8,829,469	B2	9/2014	Damiano, Jr. et al.	
8,872,129	B2	10/2014	Damiano, Jr. et al.	
8,920,723	B2	12/2014	Damiano, Jr. et al.	
9,040,939	B2	5/2015	Damiano, Jr. et al.	
9,048,065	B2	6/2015	Damiano et al.	
9,064,672	B2	6/2015	Mick et al.	
9,275,825	B2	3/2016	Damiano et al.	
9,312,097	B2	4/2016	Nackashi et al.	
9,437,393	B2	9/2016	Damiano, Jr. et al.	
9,455,117	B2 *	9/2016	Fujiwara .....	H01J 37/20
D794,816	S *	8/2017	Koyama .....	D24/224
D806,892	S *	1/2018	Walden, II .....	D24/225
2013/0171044	A1 *	7/2013	Nikonorov .....	B01L 3/502715 422/554
2014/0268321	A1	9/2014	Damian, Jr. et al.	
2015/0235805	A1	8/2015	Gardiner et al.	
2015/0338322	A1	11/2015	Damiano, Jr. et al.	
2015/0348745	A1	12/2015	Gardiner et al.	
2016/0033355	A1	2/2016	Gardiner et al.	

\* cited by examiner

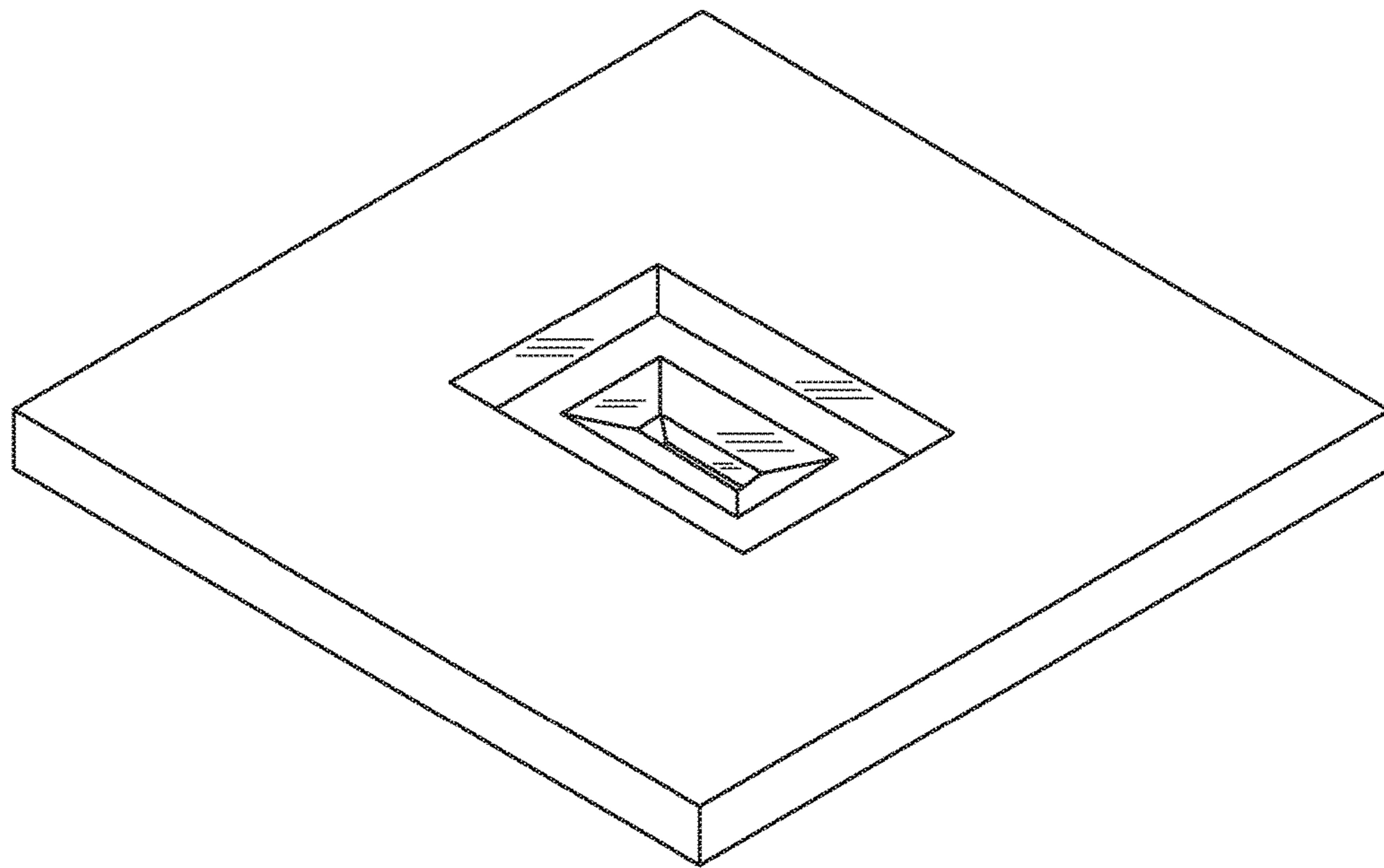


FIG. 1

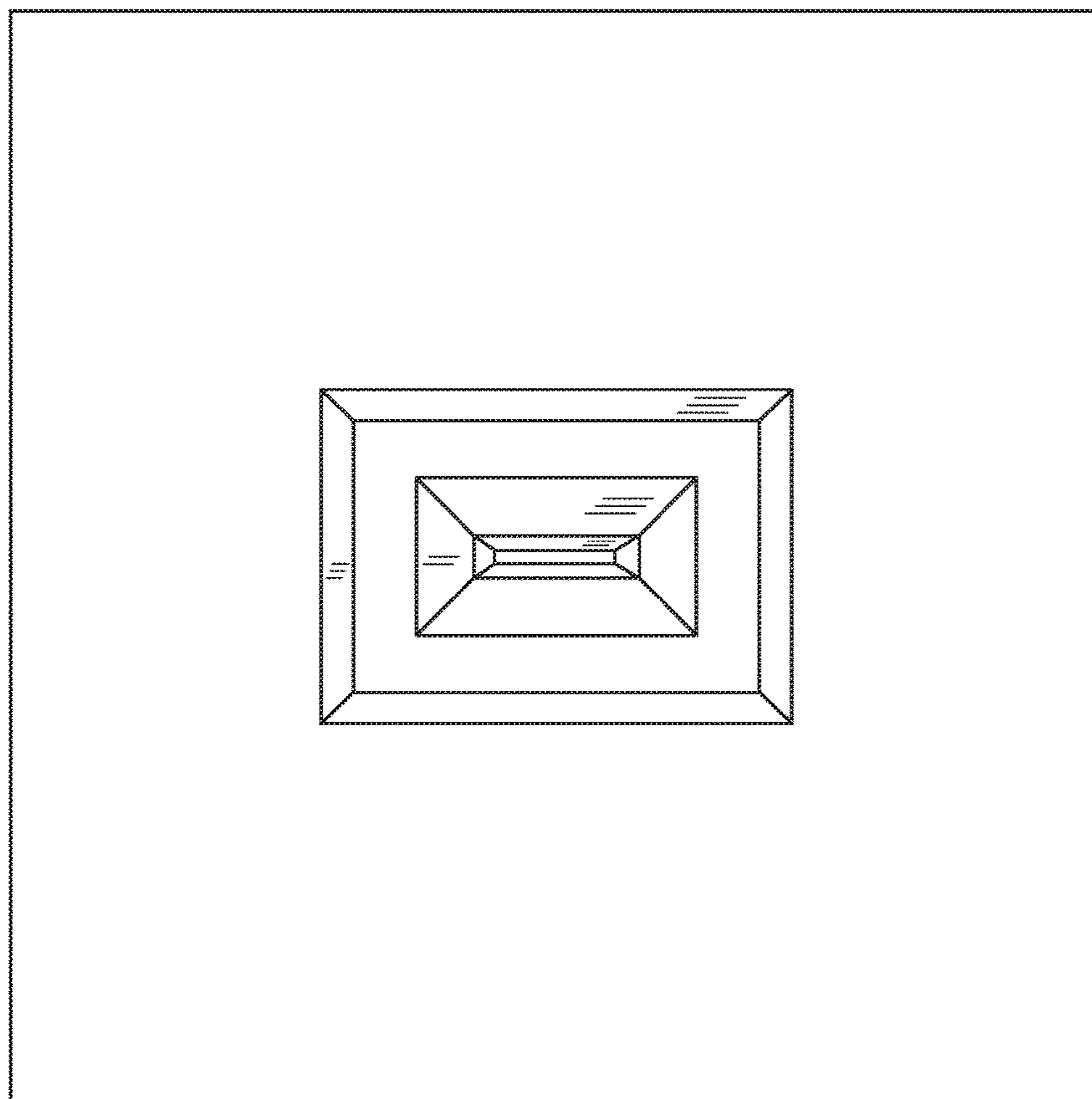


FIG. 2

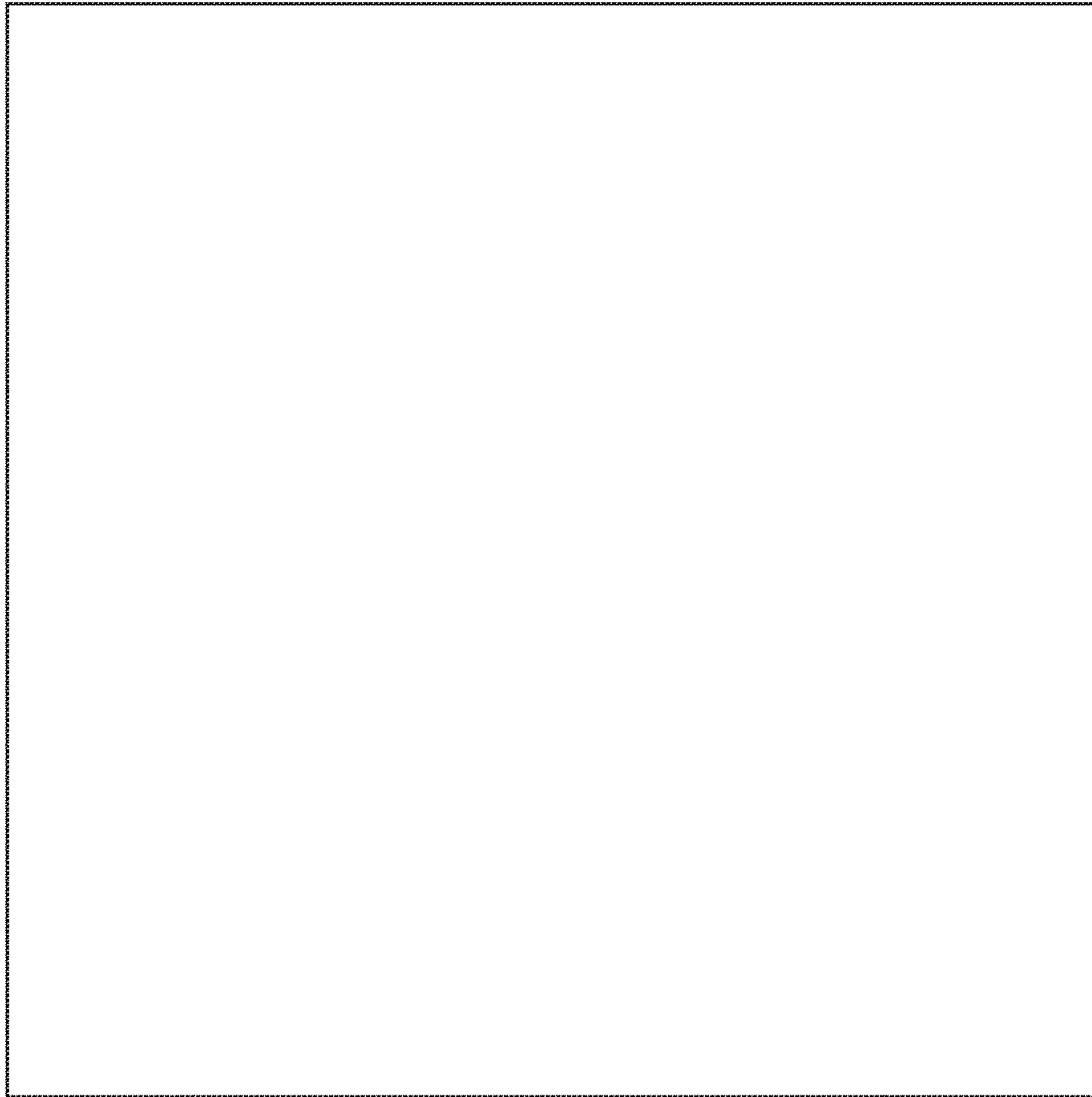


FIG. 3



FIG. 4

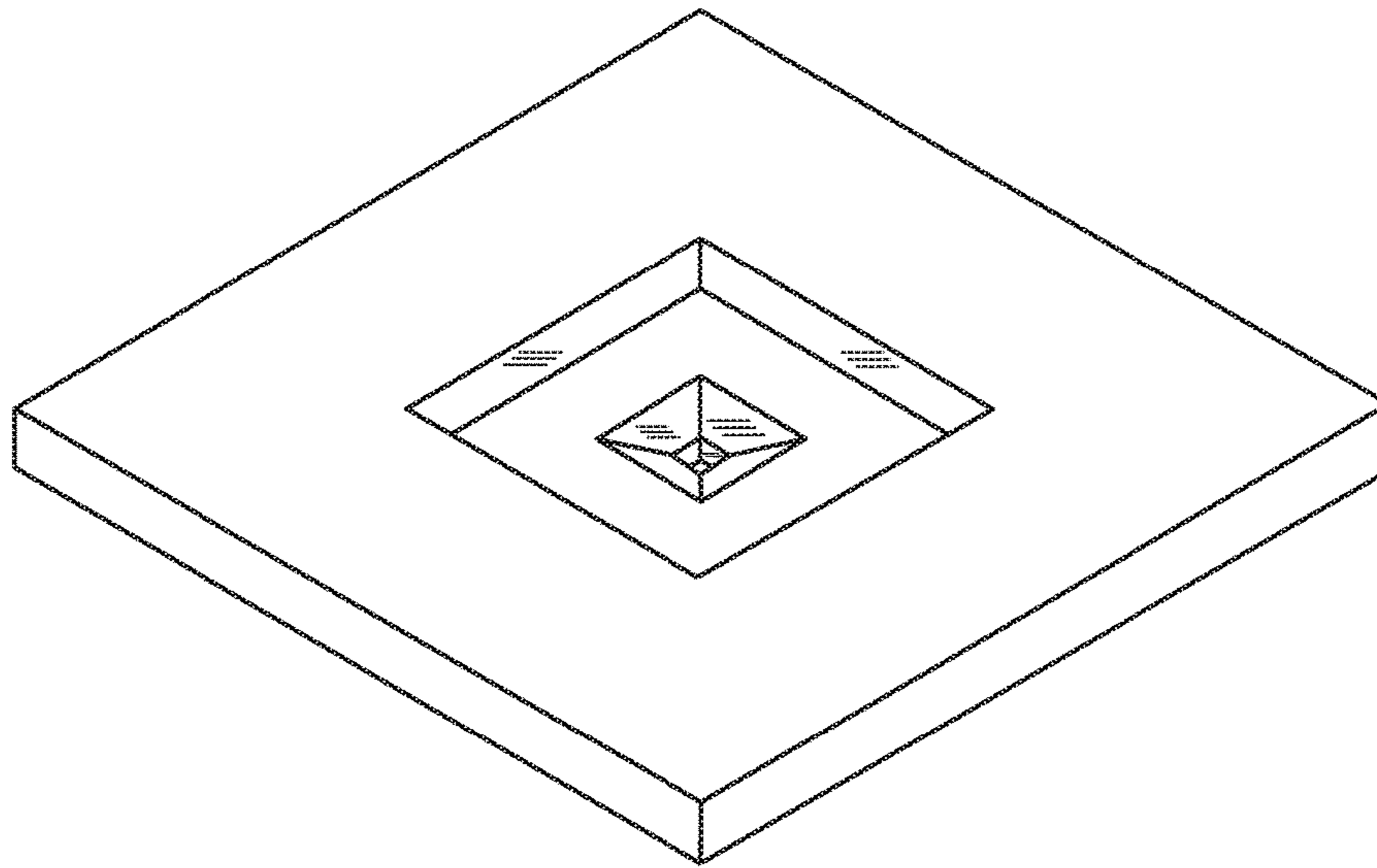


FIG. 5

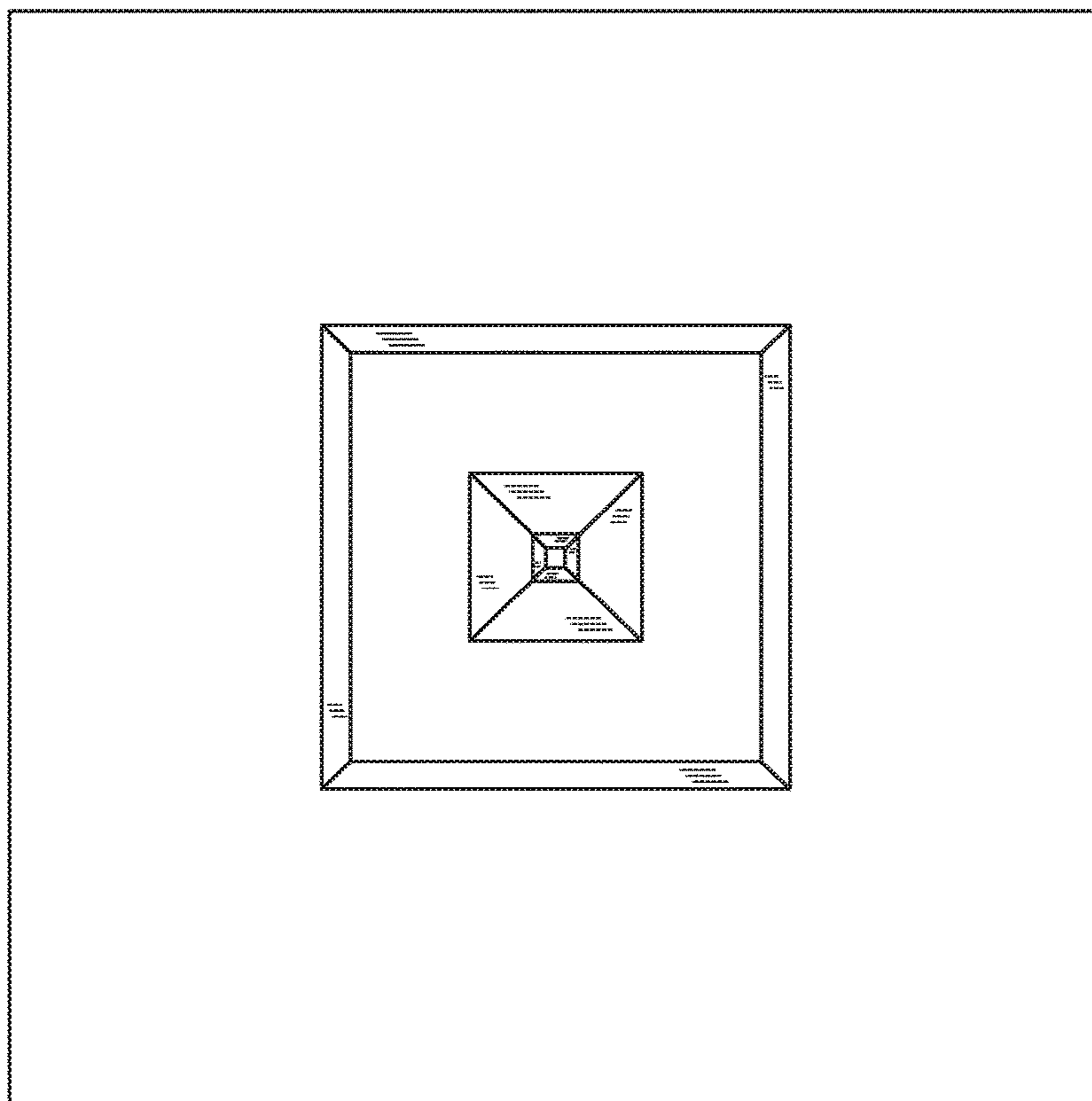


FIG. 6

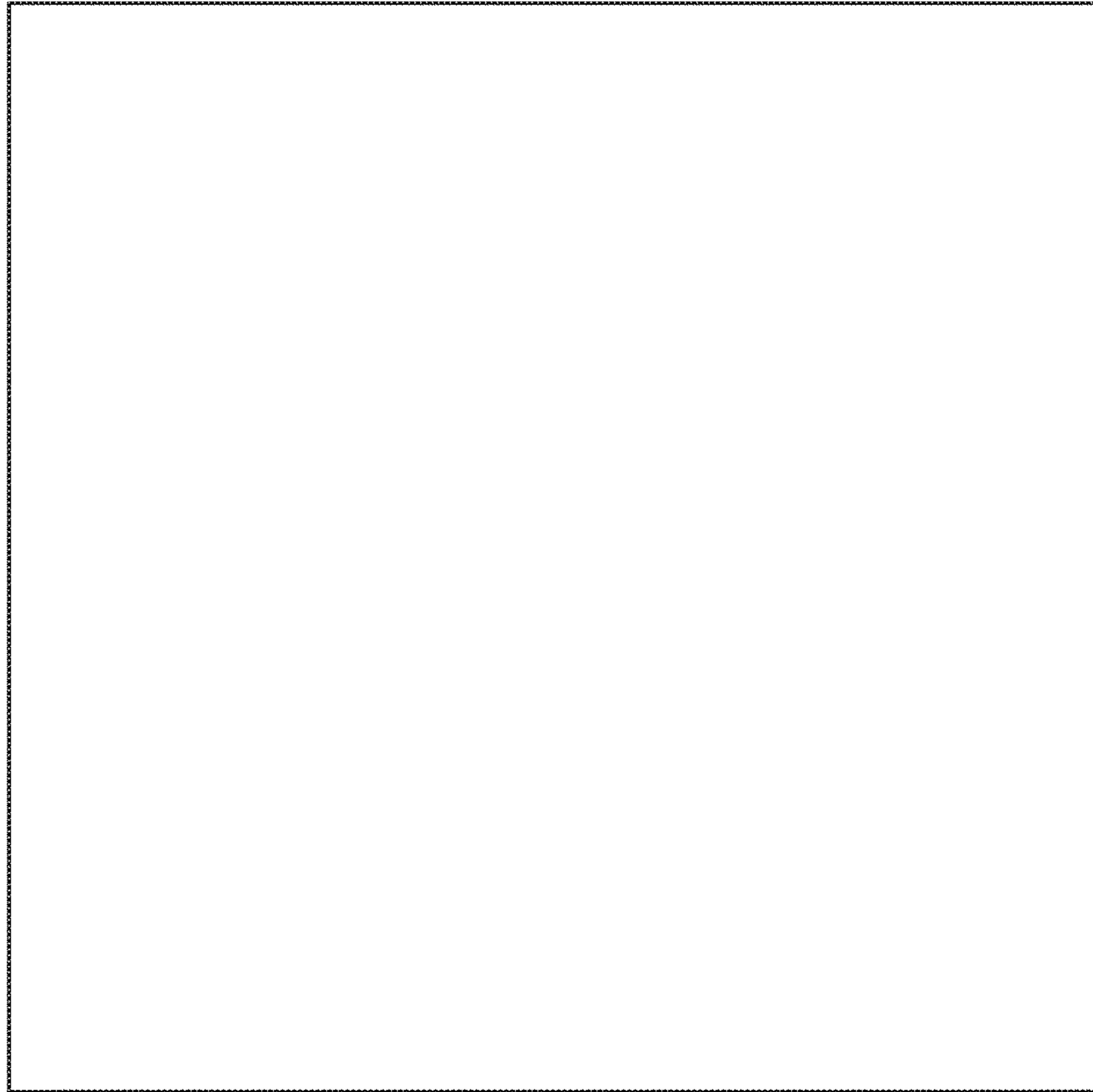


FIG. 7



FIG. 8



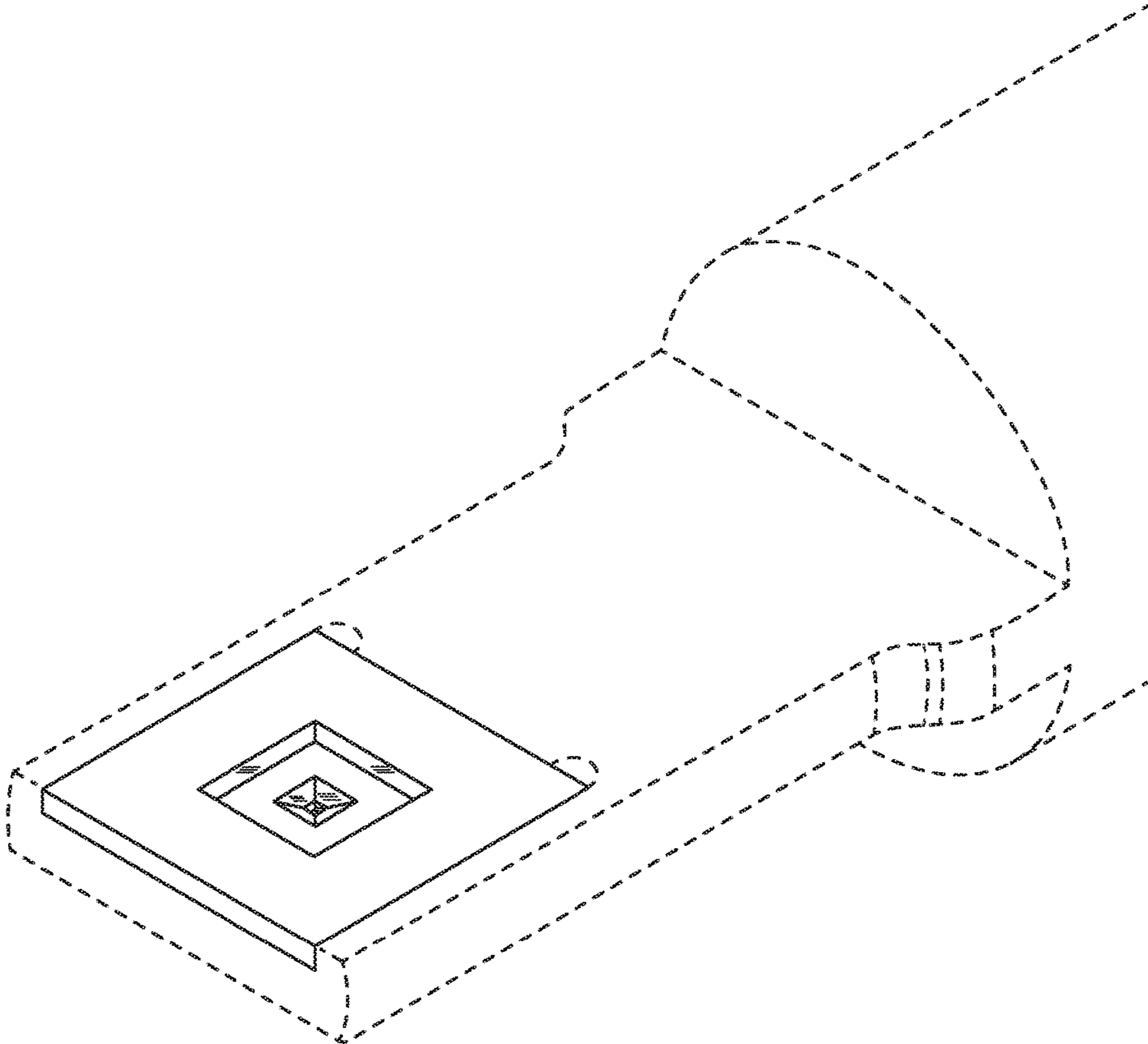


FIG. 9

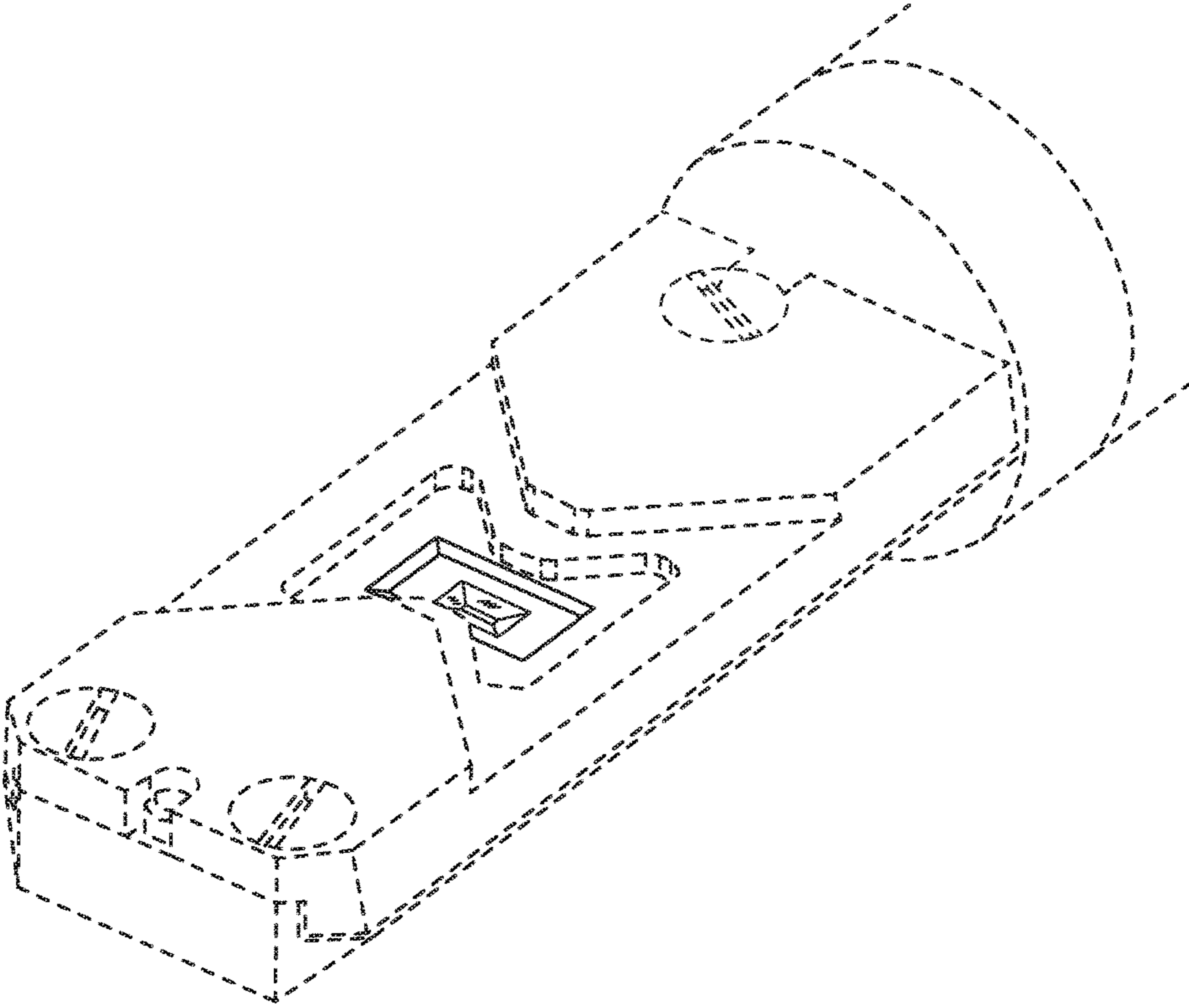


FIG. 10