

US00D841182S

(12) **United States Design Patent** (10) **Patent No.:** **US D841,182 S**  
**Mizutani et al.** (45) **Date of Patent:** **\*\* Feb. 19, 2019**

(54) **PIPETTE TIP FOR A LABORATORY INSTRUMENT**

(71) Applicant: **Beckman Coulter, Inc.**, Brea, CA (US)

(72) Inventors: **Takayuki Mizutani**, Edina, MN (US); **Shigeru Fujii**, Shizuoka (JP); **Kazuki Umebara**, Shizuoka (JP)

(73) Assignee: **Beckman Coulter, Inc.**, Brea, CA (US)

(\*\*) Term: **15 Years**

(21) Appl. No.: **29/582,709**

(22) Filed: **Oct. 28, 2016**

(51) **LOC (11) Cl.** ..... **24-02**

(52) **U.S. Cl.**  
USPC ..... **D24/222**

(58) **Field of Classification Search**  
USPC ..... D24/107, 121, 133, 216, 222-230, 233;  
D9/523, 547, 549, 550, 724, 732  
CPC ..... B01F 13/0025; B01J 2219/00292; B01J  
2220/64; B01L 3/14; B01L 3/021-3/0237;  
B01L 3/508-3/50825; B01L 3/52-3/523;  
G01F 11/02  
See application file for complete search history.

(56) **References Cited**

**U.S. PATENT DOCUMENTS**

D255,601 S *	6/1980	De Vaughn	.....	D24/222
D297,054 S *	8/1988	Williams	.....	D24/112
D384,418 S *	9/1997	Torti	.....	D24/222
D441,458 S *	5/2001	Petrek	.....	D24/222
D448,853 S *	10/2001	Rainin	.....	D24/222
D461,904 S *	8/2002	Petrek	.....	D24/222
D465,853 S *	11/2002	Petersen	.....	D24/222
D468,024 S *	12/2002	Petrek	.....	D24/222
D468,440 S *	1/2003	Petrek	.....	D24/222
D487,593 S *	3/2004	Sarna	.....	D24/222
D601,712 S *	10/2009	Tajima	.....	D24/222

D679,826 S *	4/2013	Ziegmann	.....	D24/222
D680,226 S *	4/2013	Motadel	.....	D24/222
D687,562 S *	8/2013	Motadel	.....	B01L 3/0275 D24/222
D703,344 S *	4/2014	Herbst	.....	D24/222
9,156,030 B2 *	10/2015	Beese	.....	B01L 3/021
9,346,045 B2 *	5/2016	Blumentritt	.....	B01L 3/0275
D788,314 S *	5/2017	Ando	.....	D24/222
2006/0171851 A1 *	8/2006	Motadel	.....	B01L 3/0241 422/400
2007/0231215 A1 *	10/2007	Mototsu	.....	B01L 3/0275 422/400
2011/0183433 A1 *	7/2011	Motadel	.....	B01L 3/0275 436/180

**OTHER PUBLICATIONS**

Puntas para micropipeta. [online] Retrieved Jul. 5, 2018 from URL: [https://www.velaquin.com.mx/products/puntas-para-micropipeta?variant=31262261313.\\*](https://www.velaquin.com.mx/products/puntas-para-micropipeta?variant=31262261313.*)

(Continued)

*Primary Examiner* — Vy N Koenig  
(74) *Attorney, Agent, or Firm* — Merchant & Gould P.C.

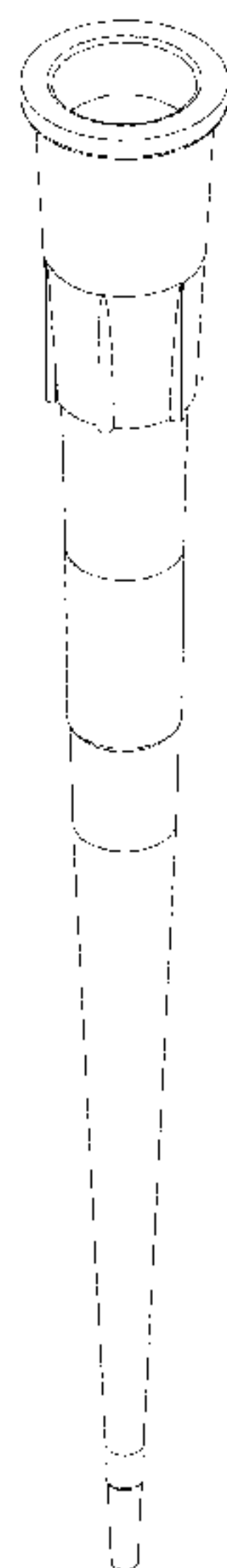
(57) **CLAIM**

The ornamental design for a pipette tip for a laboratory instrument, as shown and described.

**DESCRIPTION**

FIG. 1 is a perspective view of a pipette tip for a laboratory instrument showing our new design; FIG. 2 is a front view thereof; FIG. 3 is a rear view thereof; FIG. 4 is a right side view thereof; FIG. 5 is a left side view thereof; FIG. 6 is a top view thereof; FIG. 7 is a bottom view thereof; and, FIG. 8 is a cross sectional view taken along line 8-8 shown in FIG. 6.

**1 Claim, 4 Drawing Sheets**



(56)

**References Cited**

OTHER PUBLICATIONS

Finntip Filtered Pipette Tips. [online] Retrieved Jun. 21, 2018 from URL: <https://www.thermofisher.com/order/catalog/product/94052000>.\*

Japanese Patent Office; Office Action for Application No. 2017-009426 dated Aug. 30, 2017; 3 pages.

Japanese Patent Office Design Division Known Document No. HJ23077729; Internet Confirmation date of publication (publicly-known date): Mar. 5, 2012 Receipt date: Mar. 9, 2012; Publisher: VWR Scientific Products; [https:// media.vwr.com/stibo/low\\_res/4672085.jp](https://media.vwr.com/stibo/low_res/4672085.jp); 1 page.

\* cited by examiner

FIG. 1

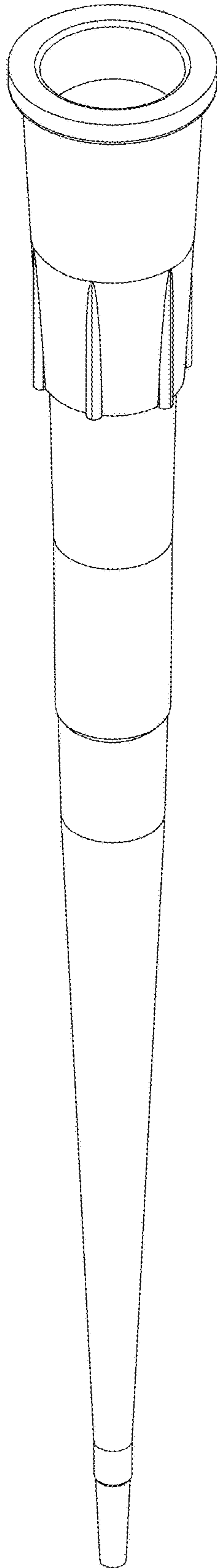


FIG. 2

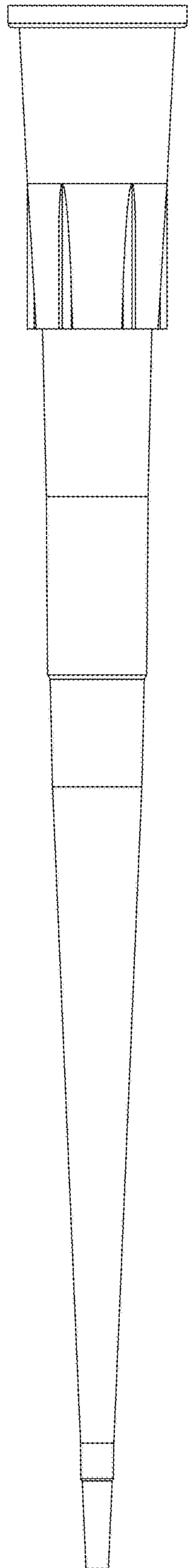


FIG. 3

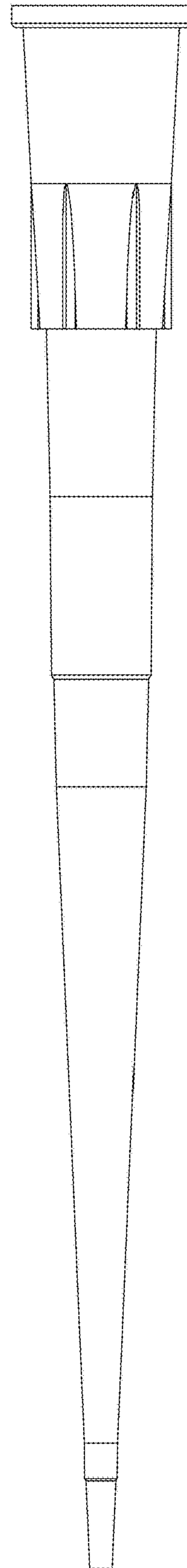


FIG. 4

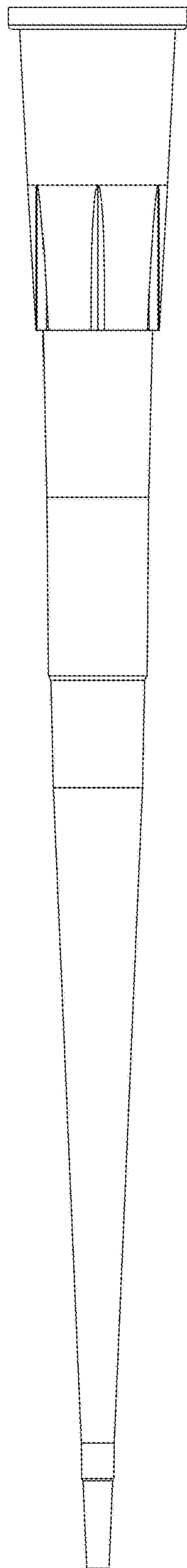


FIG. 5

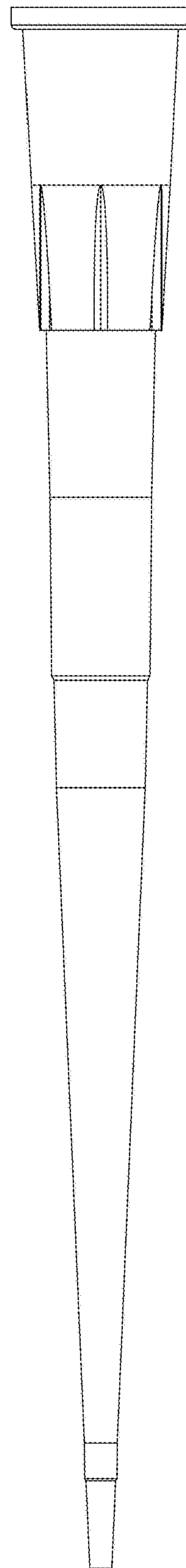


FIG. 6

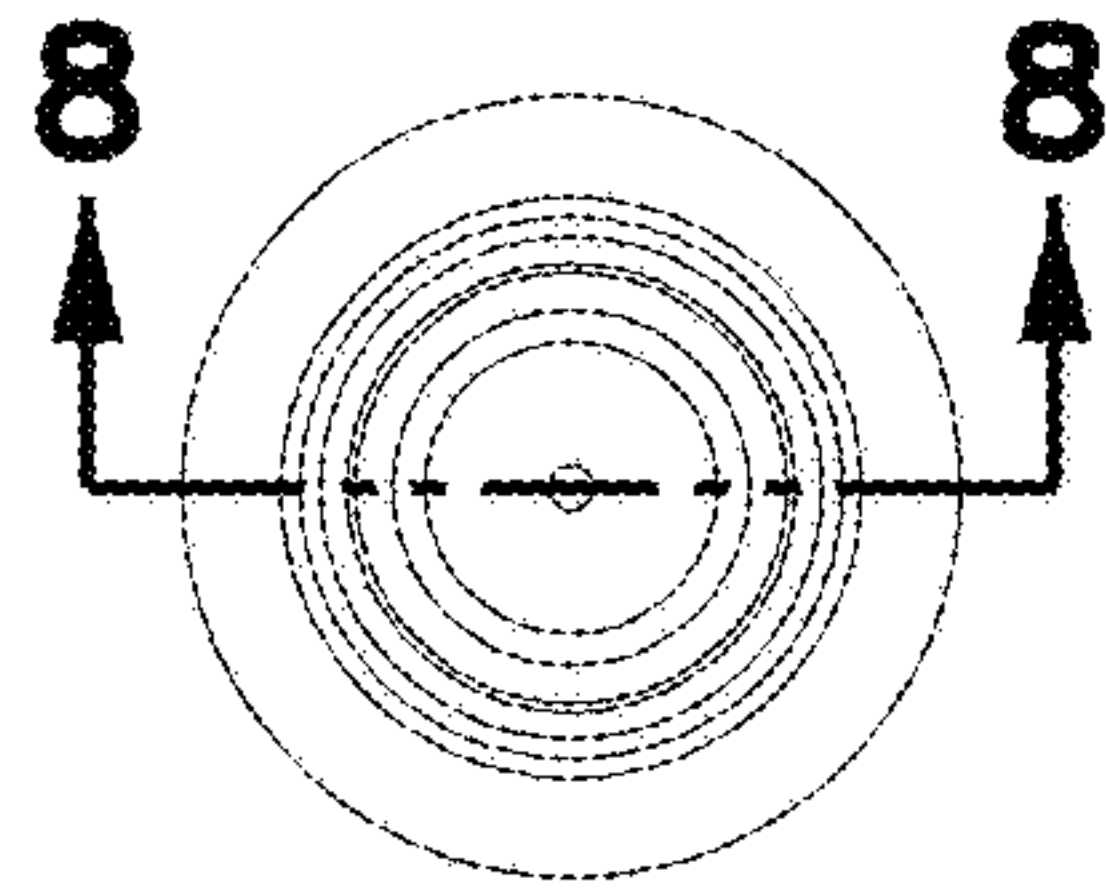


FIG. 7

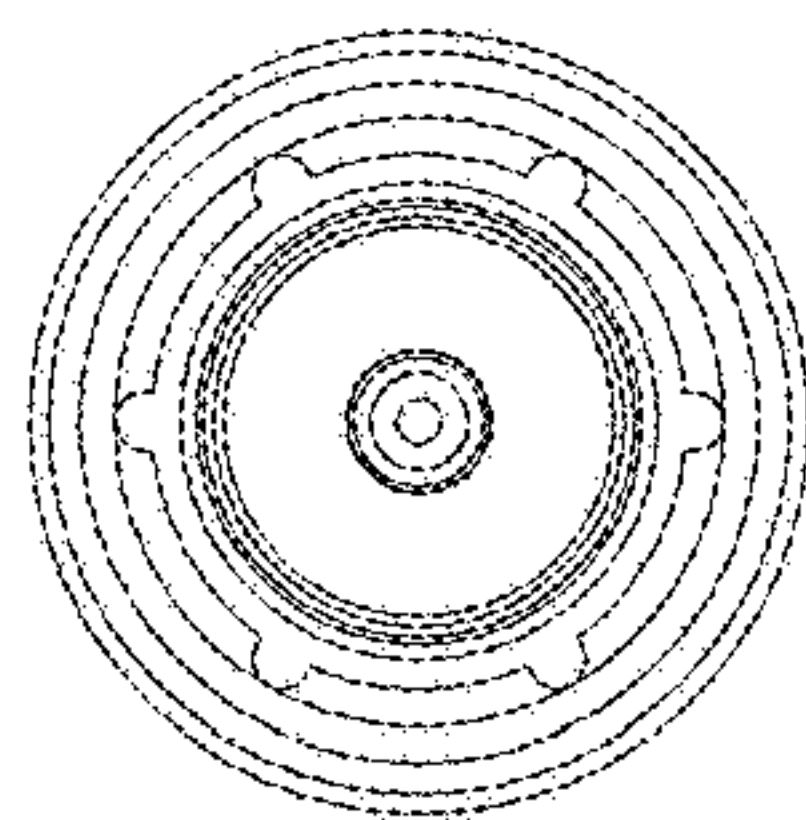


FIG. 8

