



US00D841180S

(12) **United States Design Patent**
Latchman-Bloom

(10) **Patent No.:** **US D841,180 S**

(45) **Date of Patent:** **** Feb. 19, 2019**

(54) **STERILIZATION APPARATUS**

(71) Applicant: **Rose Latchman-Bloom**, London (GB)

(72) Inventor: **Rose Latchman-Bloom**, London (GB)

(73) Assignee: **Rose Latchman-Bloom**, London (GB)

(**) Term: **15 Years**

(21) Appl. No.: **29/625,250**

(22) Filed: **Nov. 13, 2017**

(30) **Foreign Application Priority Data**

Oct. 10, 2017 (EM) 004392900

(51) **LOC (11) Cl.** **24-01**

(52) **U.S. Cl.**
USPC **D24/217**

(58) **Field of Classification Search**
USPC D24/216, 217, 218, 219, 224–232;
D23/366; D28/44, 73; D32/1, 25
CPC A61L 2/26; A61L 2/24; A61L 2/17; A61L
2/18; A61L 2/025; A61L 2202/122; A61L
2202/10; A61L 2202/11; A61L 2202/14;
A61L 2202/23; A61L 2202/24; A61L
2202/182

See application file for complete search history.

(56) **References Cited**

U.S. PATENT DOCUMENTS

4,896,042 A * 1/1990 Humphreys A61L 2/10
250/435
5,920,075 A * 7/1999 Whitehead A61L 2/10
250/492.1
D485,364 S * 1/2004 Lee D24/217

D652,529 S * 1/2012 Eum D24/217
D759,264 S * 6/2016 Latchman-Bloom D24/217
2010/0127189 A1 * 5/2010 Boyarsky A61L 2/10
250/492.2
2014/0001374 A1 * 1/2014 Ullman A61L 2/088
250/428
2017/0128177 A1 * 5/2017 Chung A61C 17/14
2017/0216466 A1 * 8/2017 Dujowich A61L 2/10

* cited by examiner

Primary Examiner — Anhdao Doan

(74) *Attorney, Agent, or Firm* — Cooper Legal Group
LLC

(57) **CLAIM**

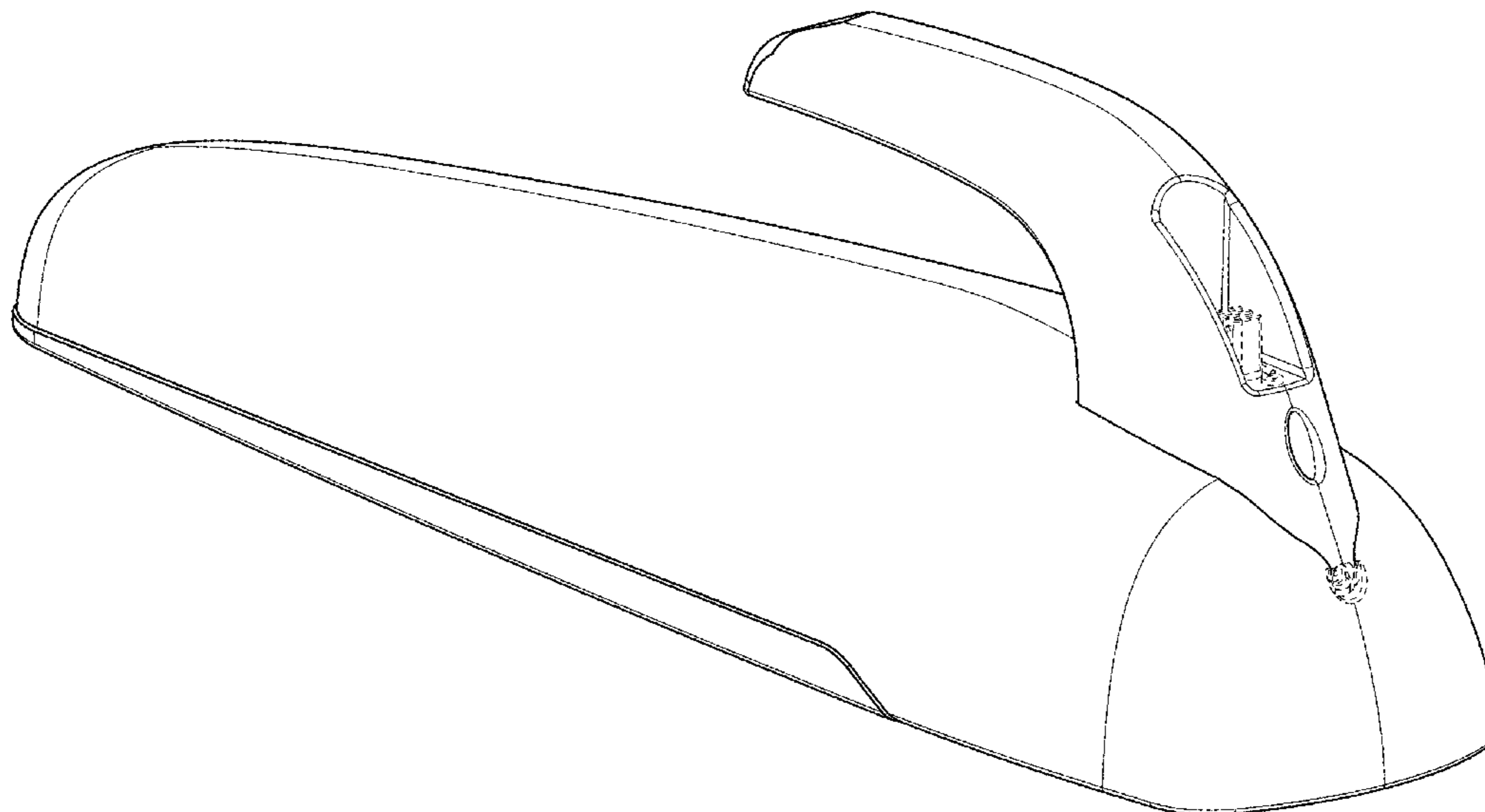
The ornamental design for a sterilization apparatus, as shown and described.

DESCRIPTION

FIG. 1 is a first side view of a sterilization apparatus showing the new design;
FIG. 2 is a second side view thereof;
FIG. 3 is a front-side view thereof;
FIG. 4 is a rear-side view thereof;
FIG. 5 is a top-side view thereof;
FIG. 6 is a bottom-side view thereof;
FIG. 7 is an isomeric view thereof, from a generally front, side and top viewing position;
FIG. 8 is a perspective view thereof, from a generally front, side and top viewing position; and,
FIG. 9 is another perspective view thereof, from a generally rear, side and top viewing position.

The broken lines in the drawing views illustrate portions of the sterilization apparatus that form no part of the claimed design; the broken lines form no part of the claimed design.

1 Claim, 9 Drawing Sheets



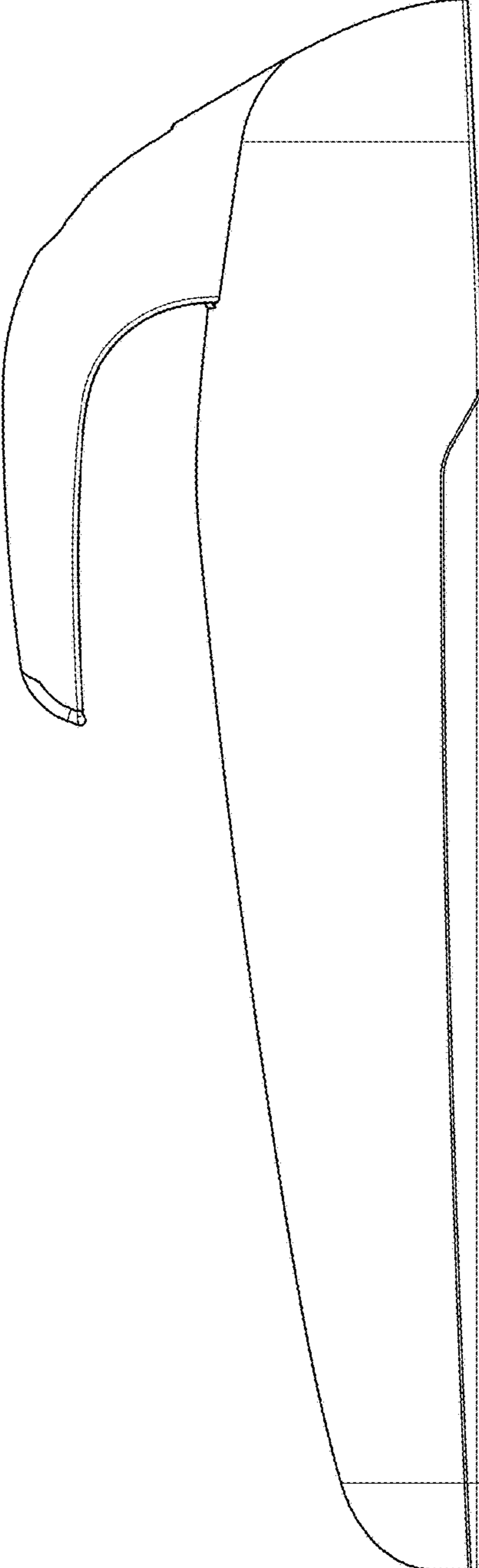


FIG. 1

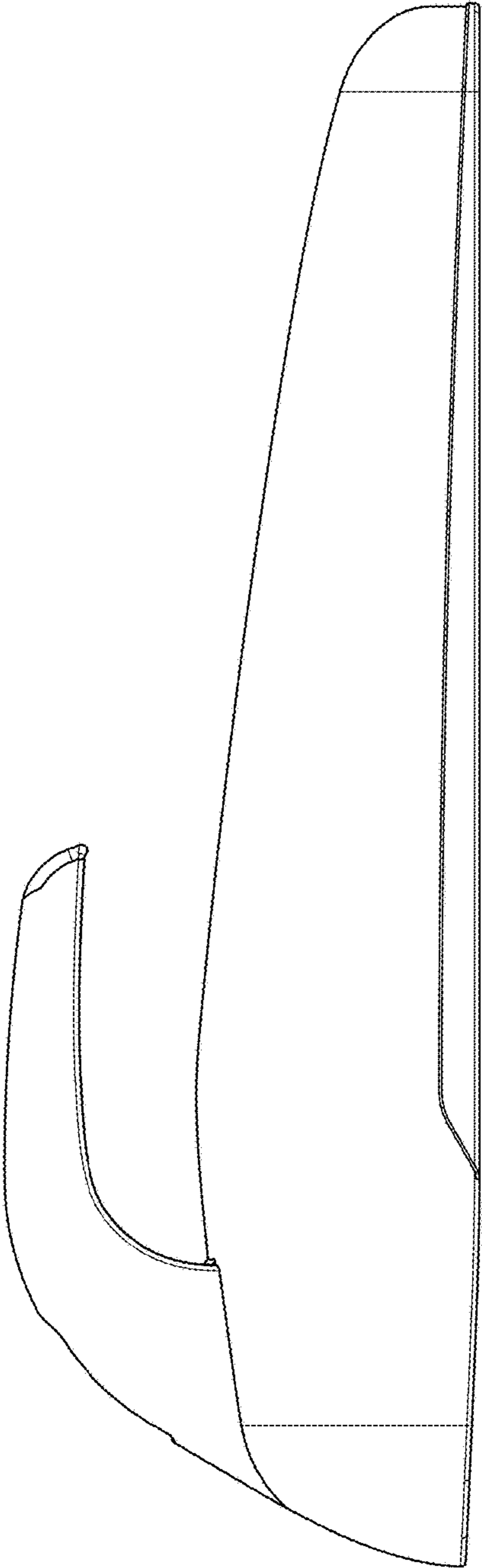


FIG. 2

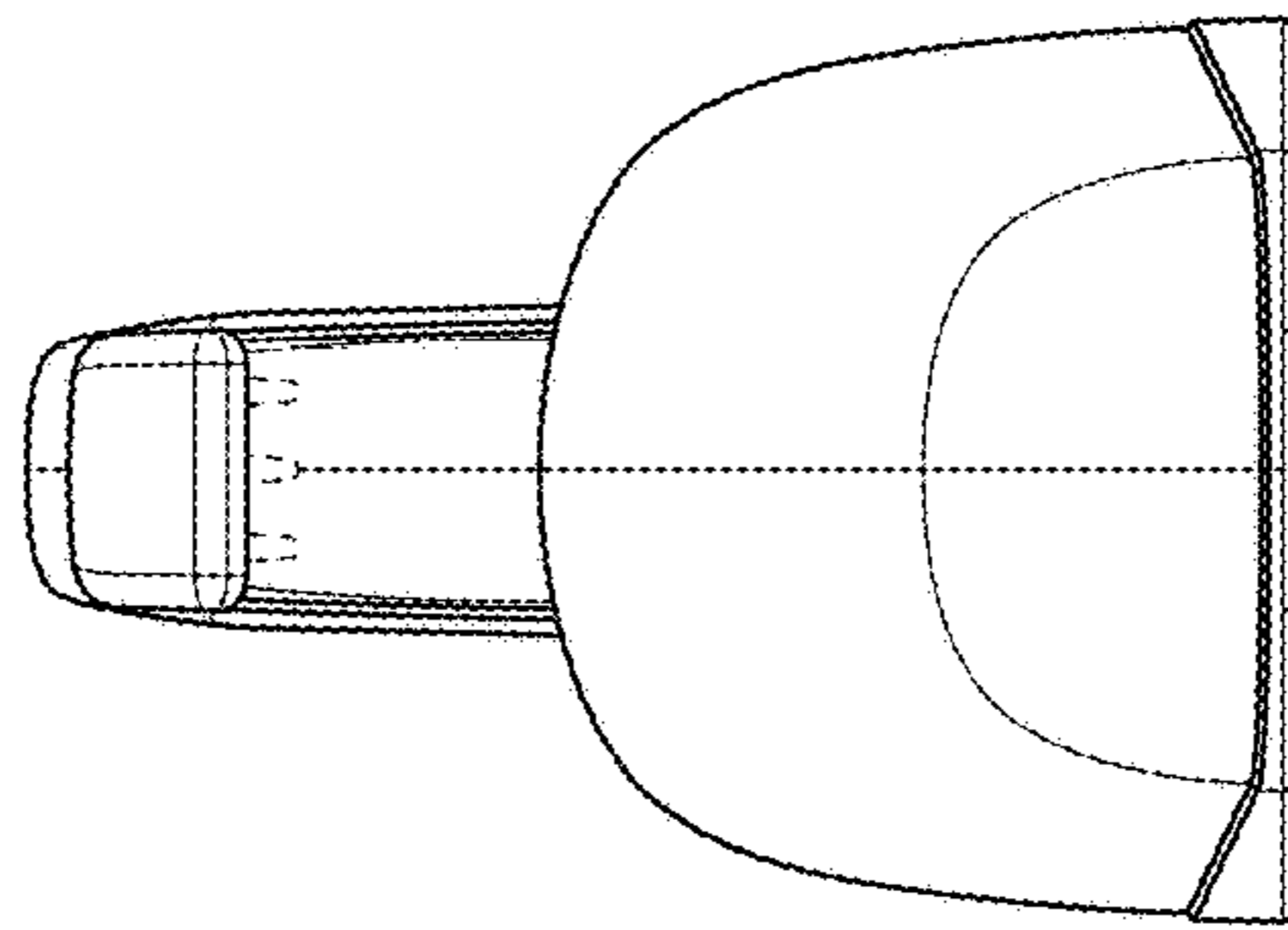


FIG. 3

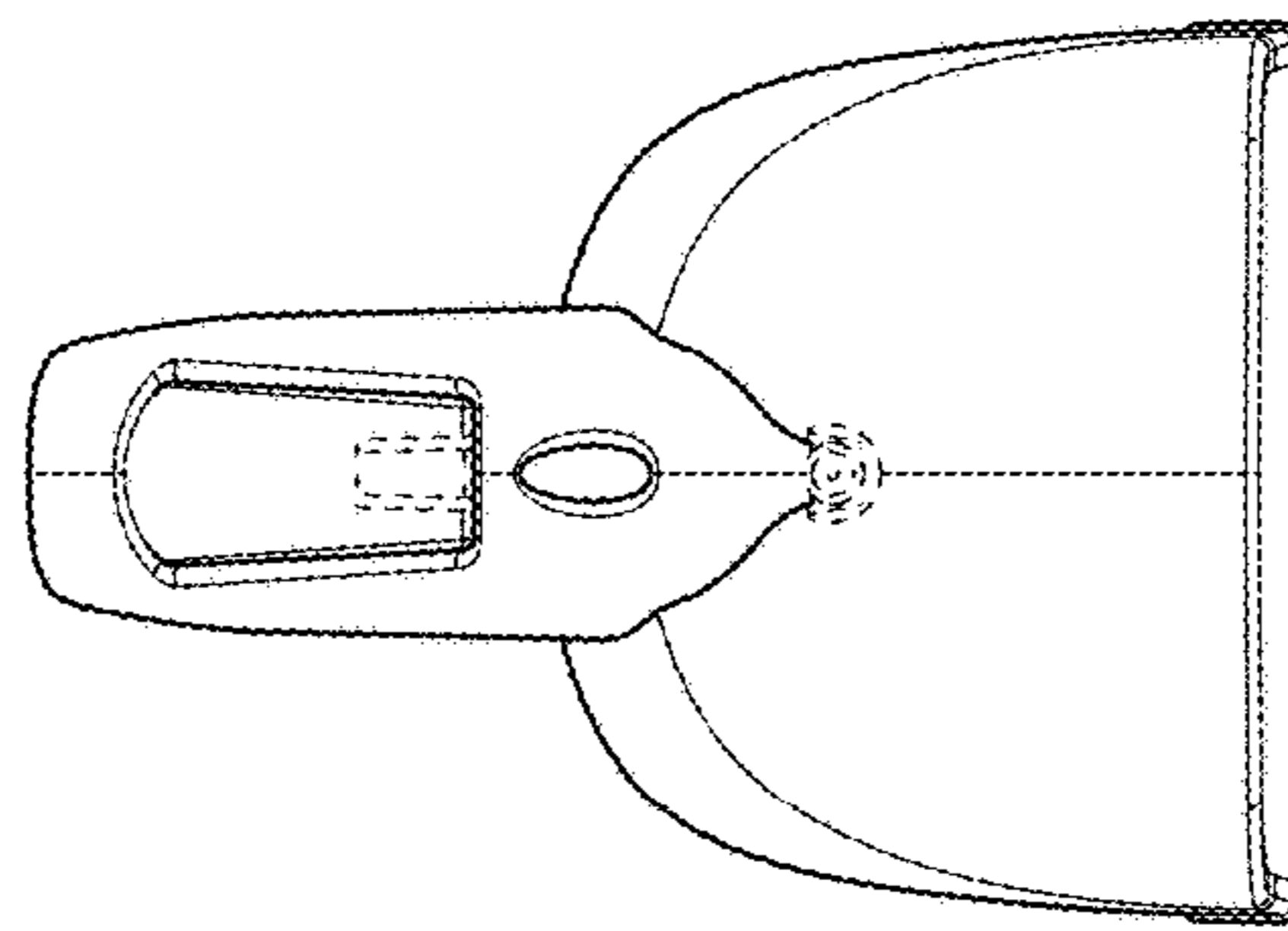


FIG. 4

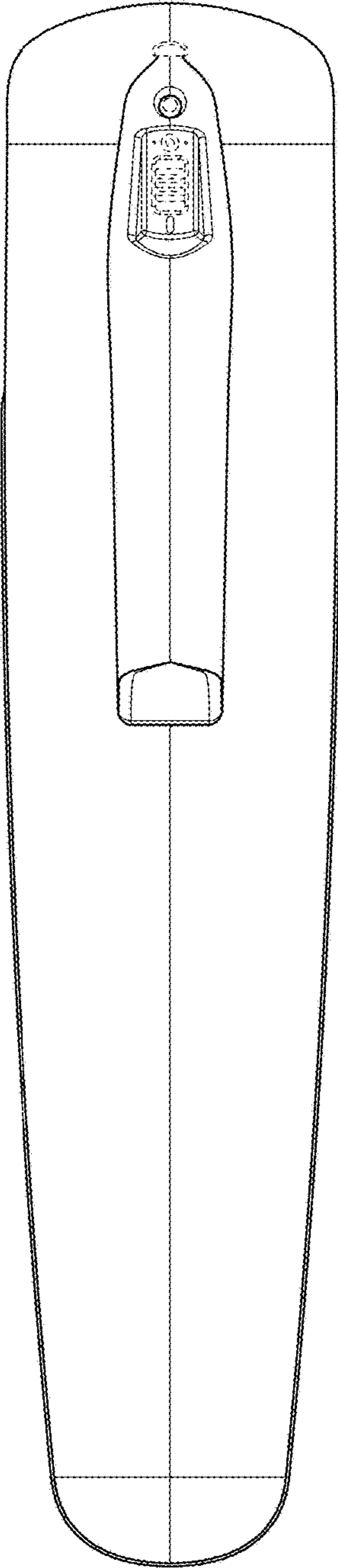


FIG. 5

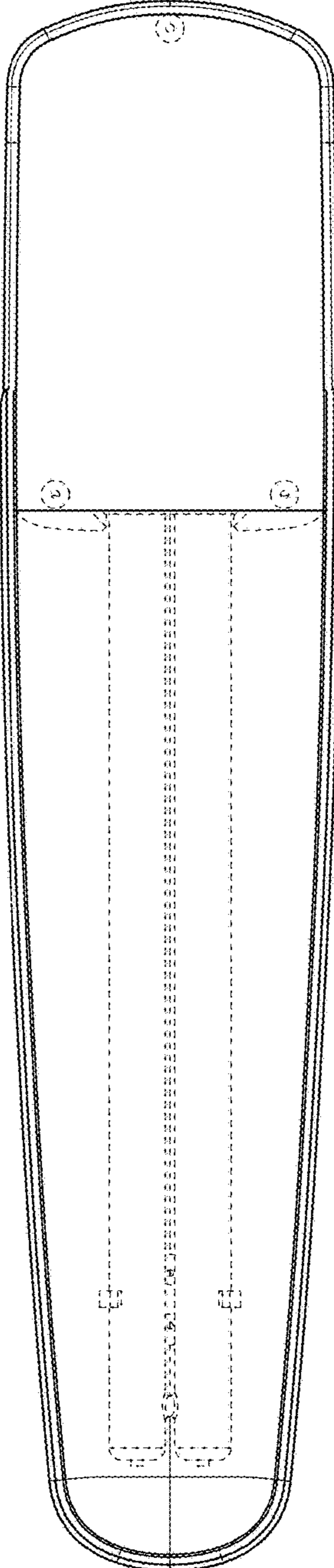


FIG. 6

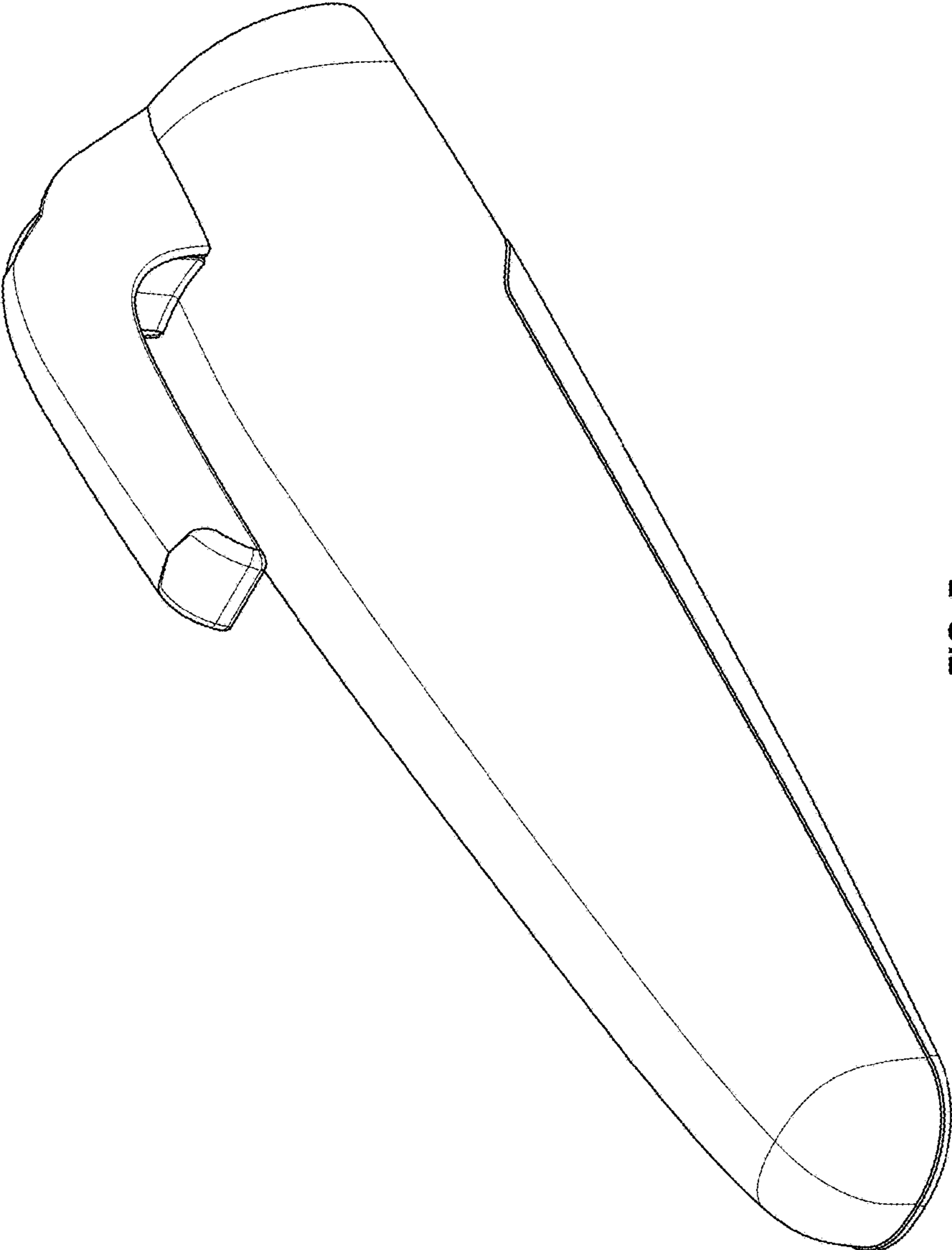


FIG. 7

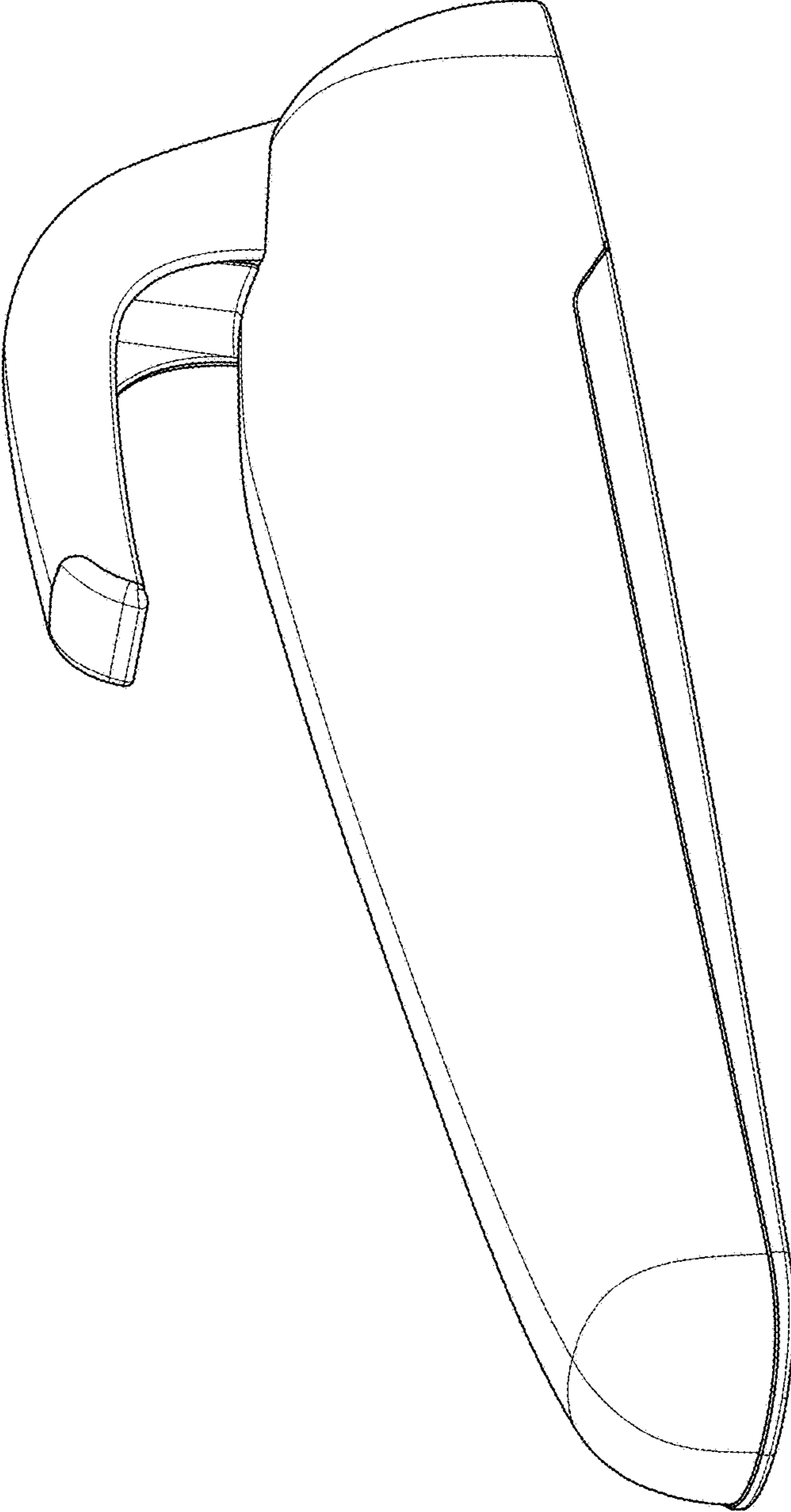


FIG. 8

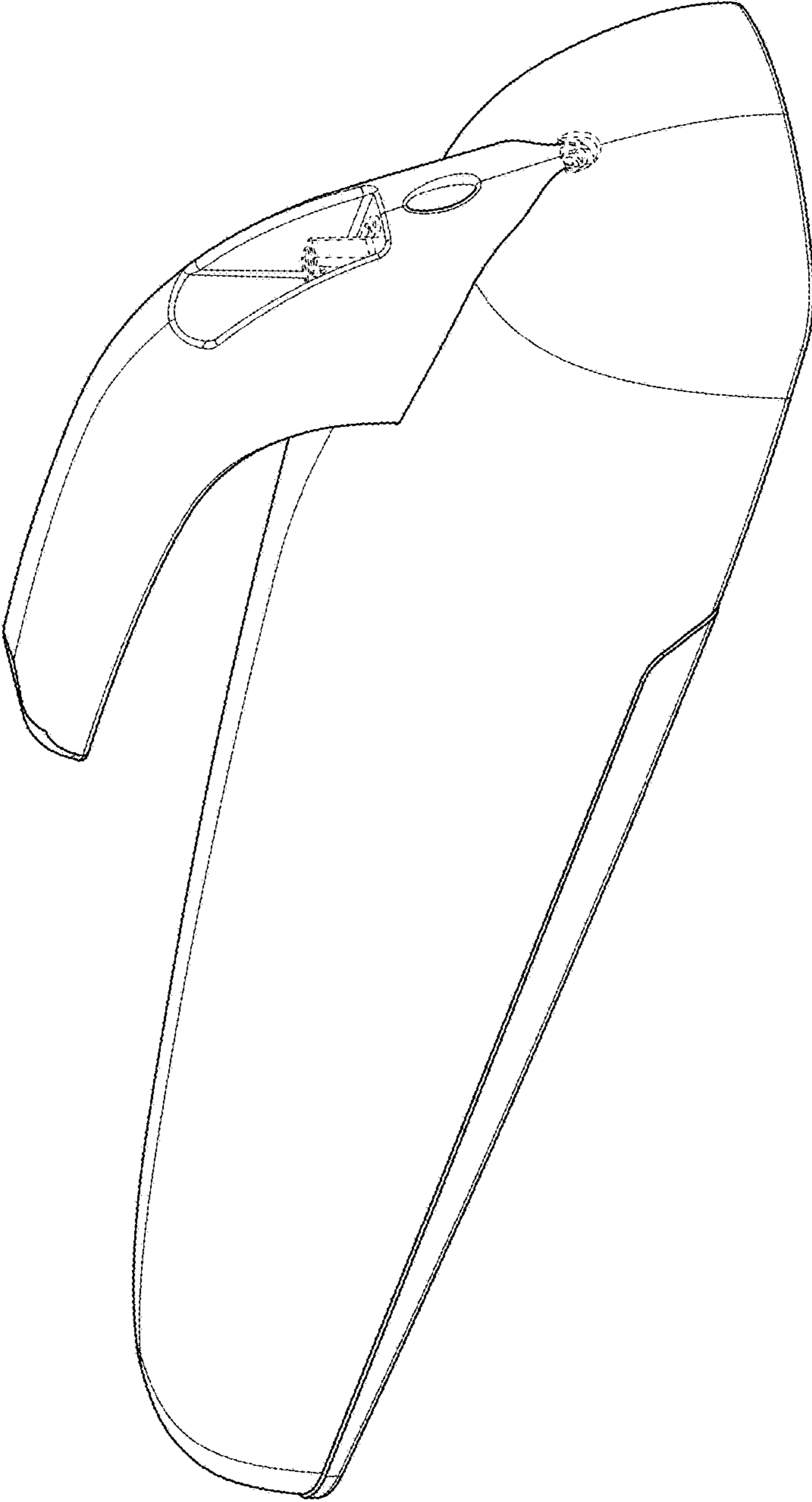


FIG. 9