



US00D841177S

(12) **United States Design Patent**
Priebe et al.

(10) **Patent No.:** **US D841,177 S**

(45) **Date of Patent:** **** Feb. 19, 2019**

- (54) **TRIGGER POINT MASSAGE DEVICE**
- (71) Applicants: **Kevin E. Priebe**, Cottonwood Heights, UT (US); **Heather J. DeFord**, Park City, UT (US)
- (72) Inventors: **Kevin E. Priebe**, Cottonwood Heights, UT (US); **Heather J. DeFord**, Park City, UT (US)

6,102,876 A	8/2000	Winger	
D445,905 S *	7/2001	Hey	D24/211
6,723,031 B1 *	4/2004	Wild	A63B 23/20 128/842
D702,362 S *	4/2014	Thorne	D24/211
D704,852 S *	5/2014	Yang	D24/211
D712,029 S *	8/2014	Tai	D24/141
D712,030 S *	8/2014	Tai	D24/141
D724,161 S *	3/2015	Kuhne	D21/662
9,333,143 B2 *	5/2016	Weber	A61H 1/02
D763,459 S *	8/2016	Vitko	D24/211

(**) Term: **15 Years**

(21) Appl. No.: **29/655,134**

(22) Filed: **Jun. 29, 2018**

(51) **LOC (11) Cl.** **28-03**

(52) **U.S. Cl.**
USPC **D24/211**

(58) **Field of Classification Search**
USPC D24/200, 211, 212, 213, 214, 215;
601/19, 22, 40, 46, 52, 63, 99, 110-113,
601/118-120, 125, DIG. 12, DIG. 14,
601/DIG. 15, DIG. 16, DIG. 17
CPC A61H 1/00; A61H 2015/0007; A61H
2015/0014; A61H 2015/0042; A61H
15/00; A61H 11/00; A61H 21/00; A61H
37/00

See application file for complete search history.

(56) **References Cited**

U.S. PATENT DOCUMENTS

2,286,324 A *	6/1942	Wentz	A61H 15/0092 16/110.1
3,726,276 A *	4/1973	Schumann	A61M 3/0262 128/DIG. 24
D226,875 S *	5/1973	Haworth, Jr.	D24/211
D254,507 S *	3/1980	Redding	D21/685
4,493,315 A *	1/1985	Iwahashi	A61H 7/001 601/135
D374,082 S *	9/1996	Vitko	D24/211
5,577,996 A	11/1996	Gardner	
5,993,377 A *	11/1999	Hartwig	A61F 7/12 600/38

(Continued)

OTHER PUBLICATIONS

Body Back Company, Porcupine Sensory Ball Massage Stick, <https://www.bodyback.com/products/porcupine-sensory-ball-massage-stick>, All, Jun. 28, 2018.

(Continued)

Primary Examiner — Sandra S Snapp

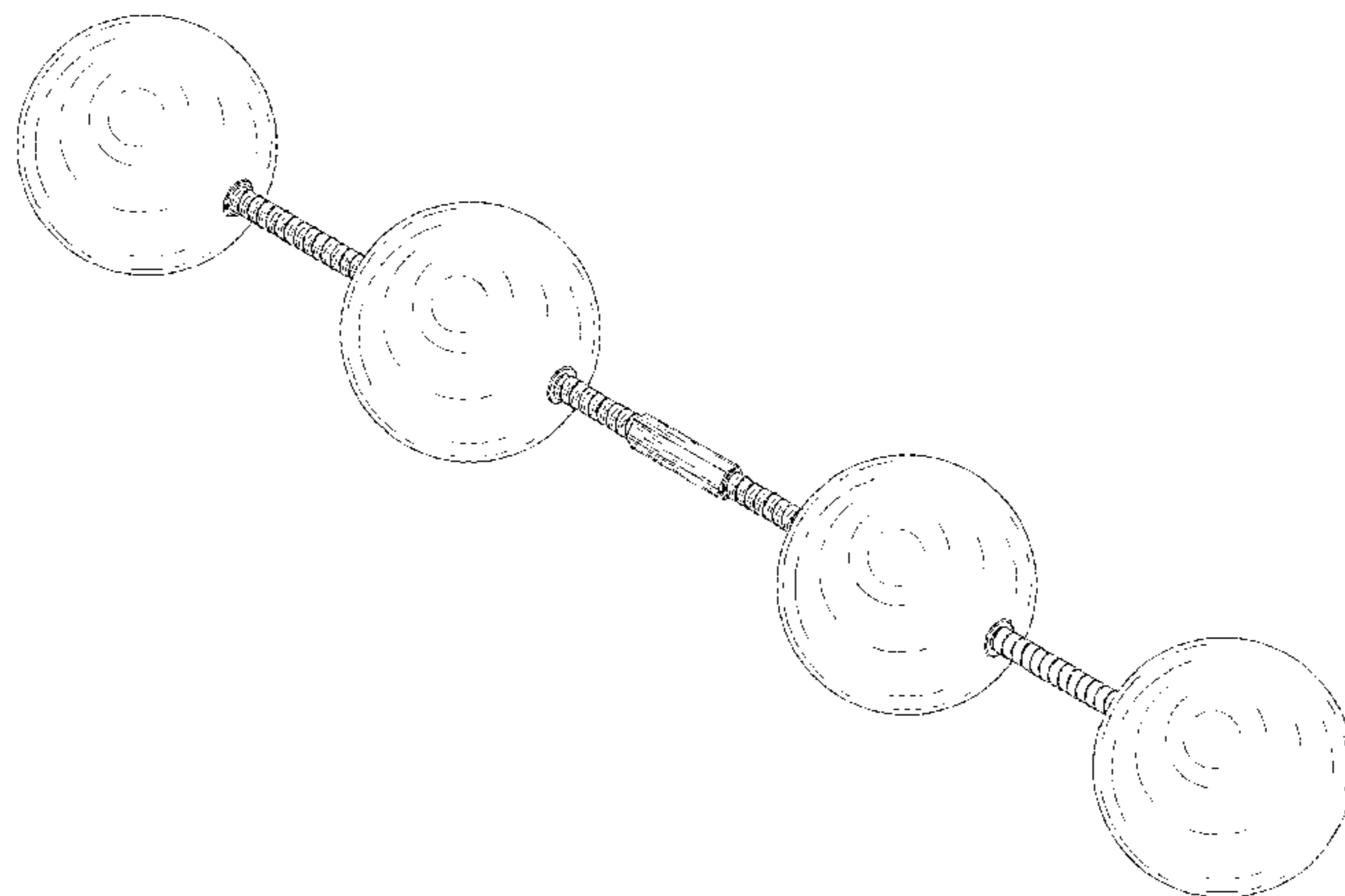
(57) **CLAIM**

The ornamental design for a trigger point massage device, as shown and described.

DESCRIPTION

FIG. 1 is a top perspective view of a trigger point massage device showing our new design; FIG. 2 is a bottom perspective view thereof; FIG. 3 is a front elevational view thereof; FIG. 4 is a rear elevational view thereof; FIG. 5 is a left elevational view thereof; FIG. 6 is a right elevational view thereof; FIG. 7 is a top plan view thereof; FIG. 8 is a bottom plan view thereof. FIG. 9 is a rear elevational view thereof, wherein a first intermediate ball is shifted along the threaded rod; and, FIG. 10 is rear elevational view thereof, wherein a second intermediate ball is shifted along the threaded rod.

1 Claim, 10 Drawing Sheets



(56)

References Cited

U.S. PATENT DOCUMENTS

D767,155 S * 9/2016 Fallstich D24/211
9,861,552 B2 * 1/2018 Hogan A61H 15/0092
2004/0006293 A1 1/2004 Huang
2008/0103421 A1 * 5/2008 Nicholson A61H 15/0092
601/120
2011/0257569 A1 10/2011 Robins
2011/0313333 A1 12/2011 Nicholson
2013/0123676 A1 * 5/2013 Fallstich A61H 11/00
601/118
2013/0158455 A1 6/2013 Ruschmeyer et al.
2014/0114221 A1 4/2014 Indermill
2014/0350443 A1 11/2014 Raines

OTHER PUBLICATIONS

Spirit TCR, Total Muscle Massage, <http://www.spiritcr.com/total-muscle-massage-bar.php>, All, Jun. 28, 2018.

* cited by examiner

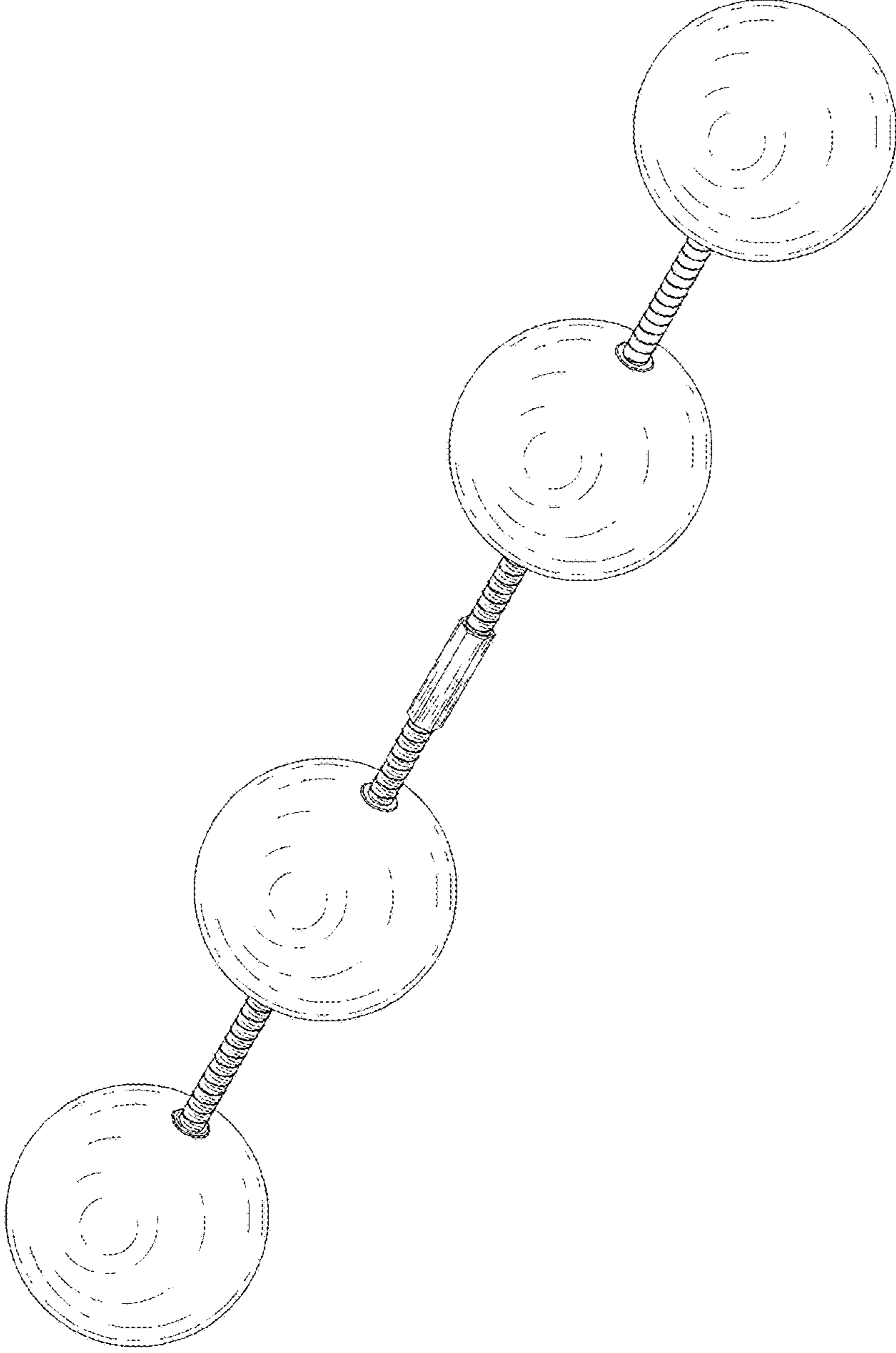


FIG. 1

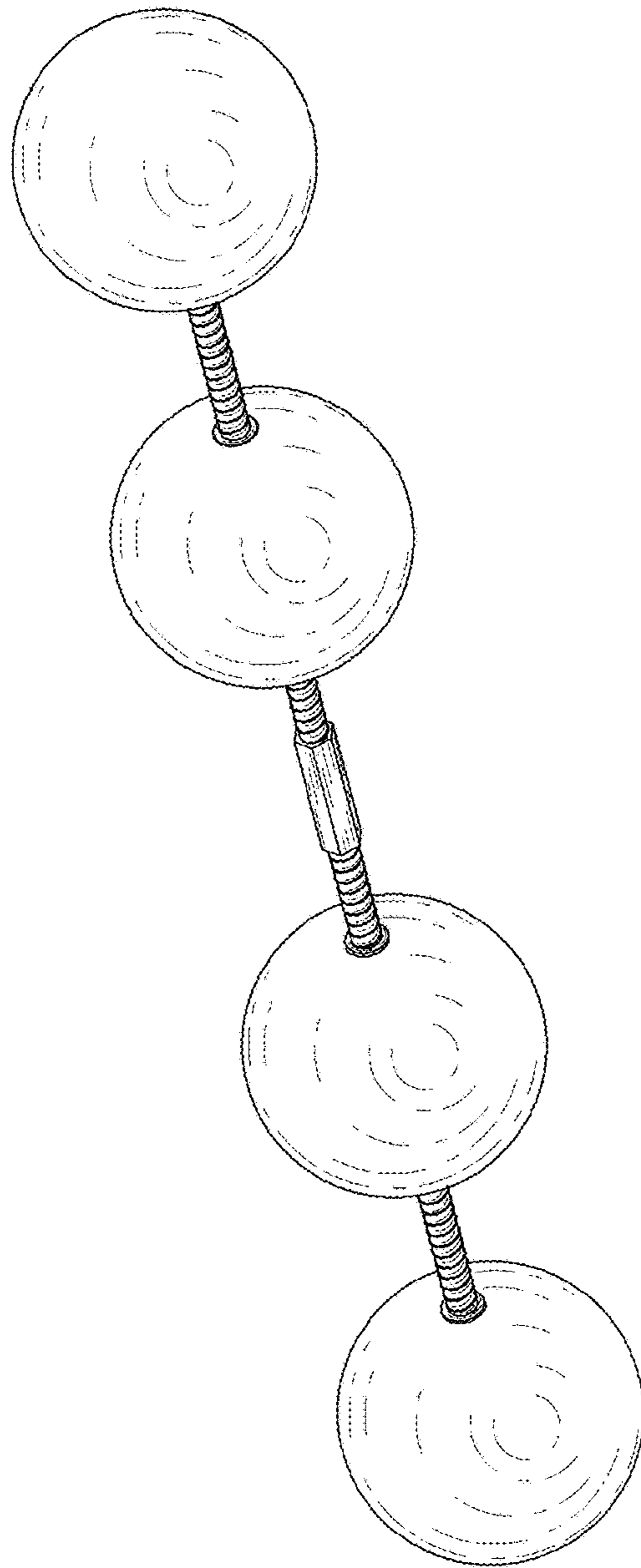


FIG. 2

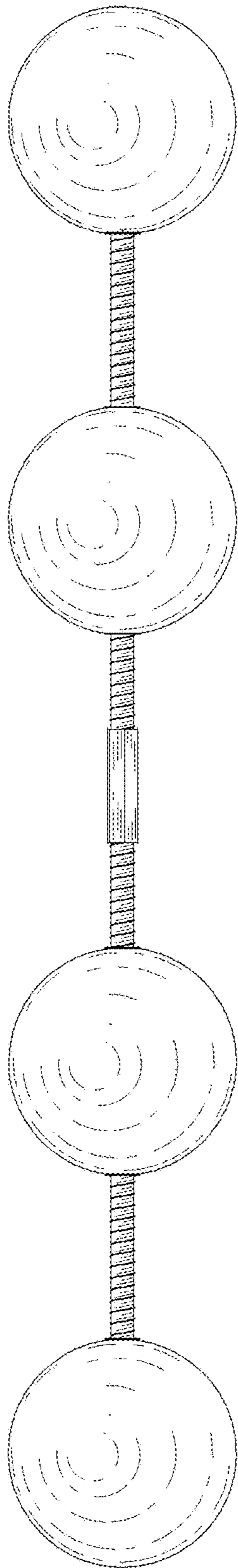


FIG. 3

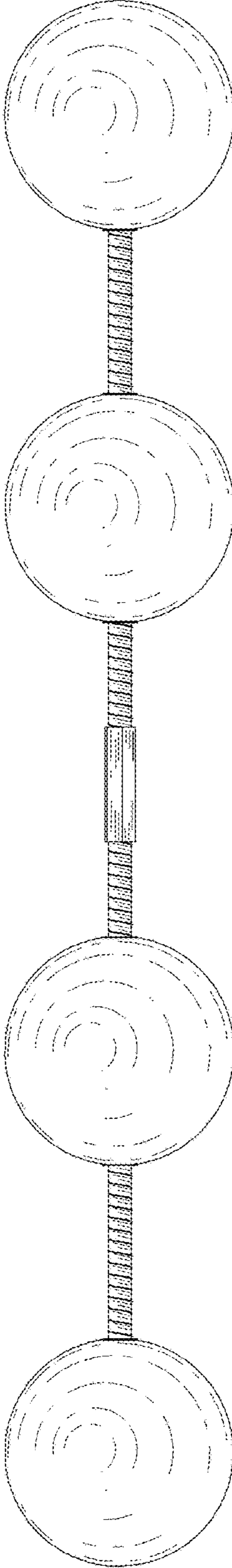


FIG. 4

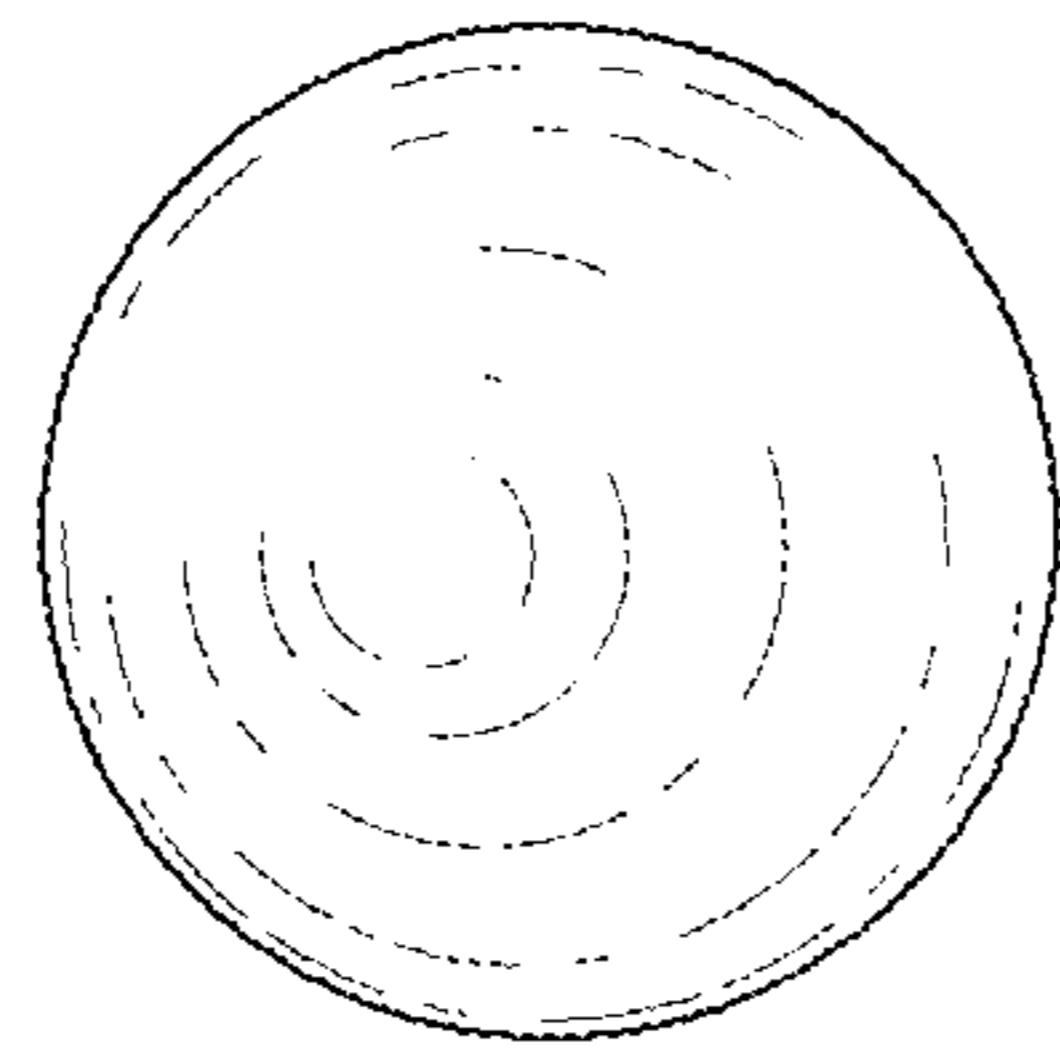


FIG. 5

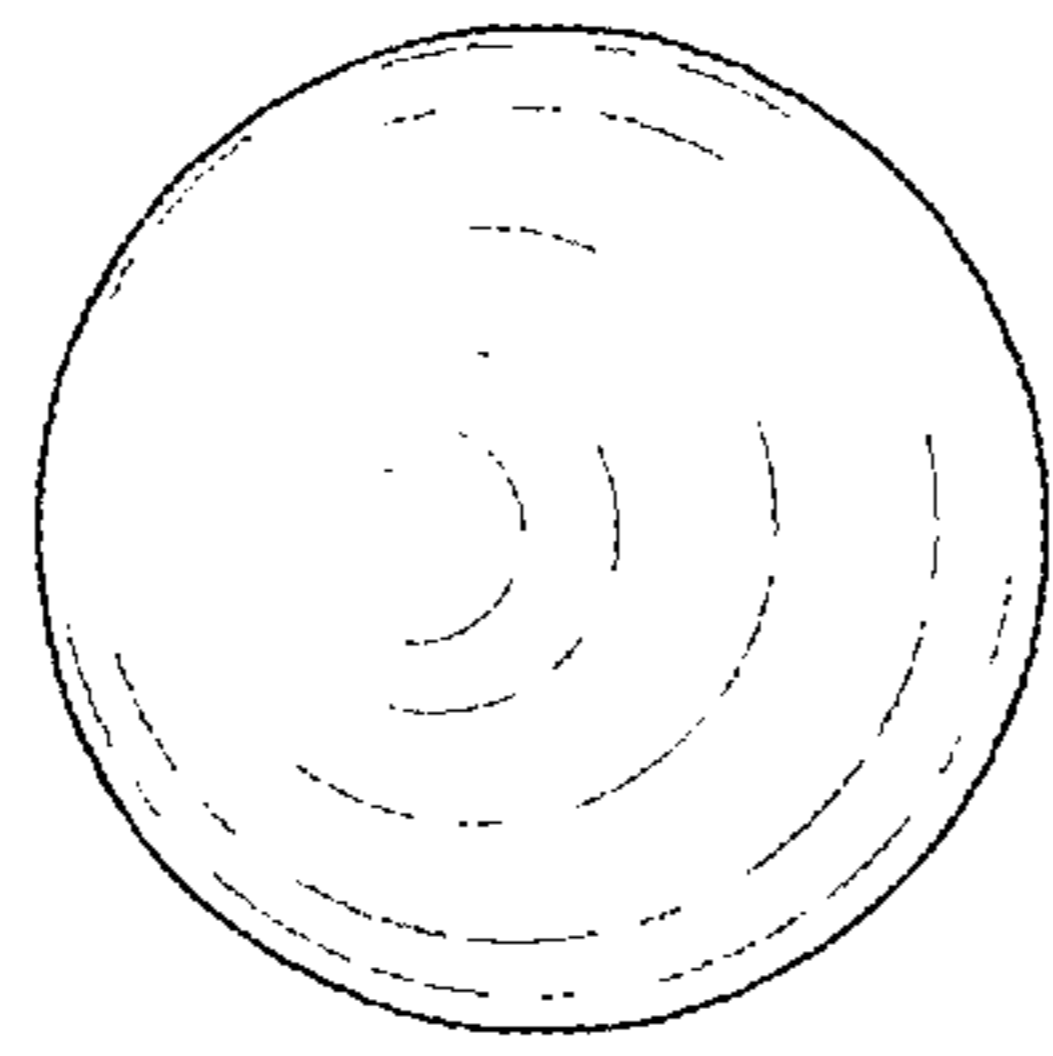


FIG. 6

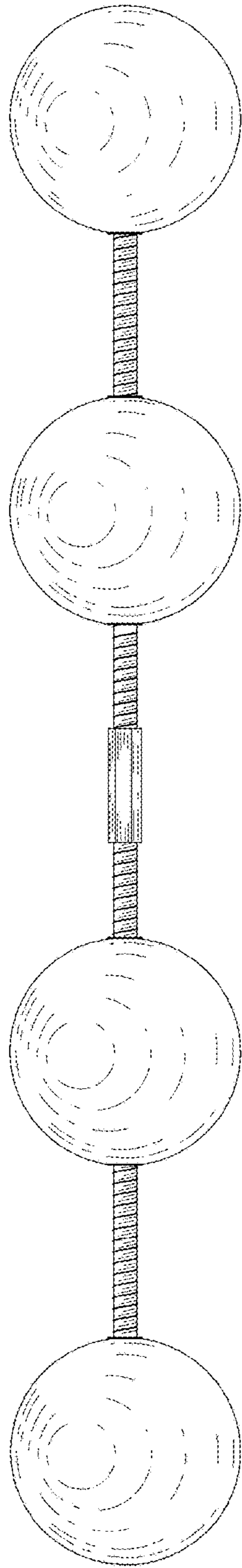


FIG. 7

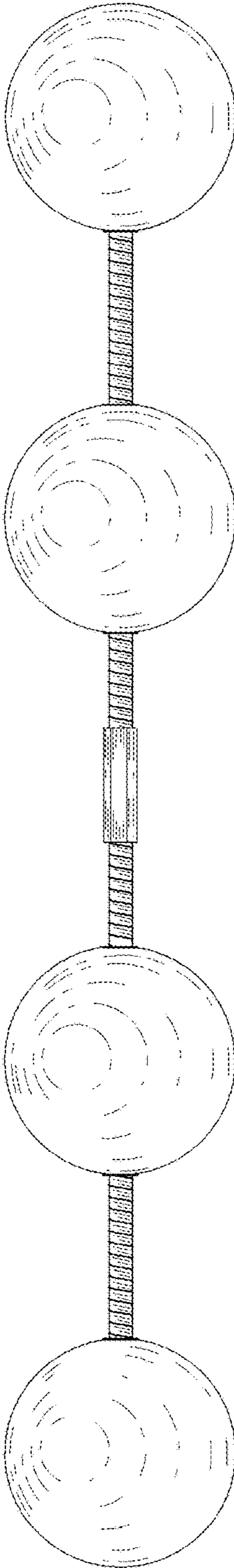


FIG. 8

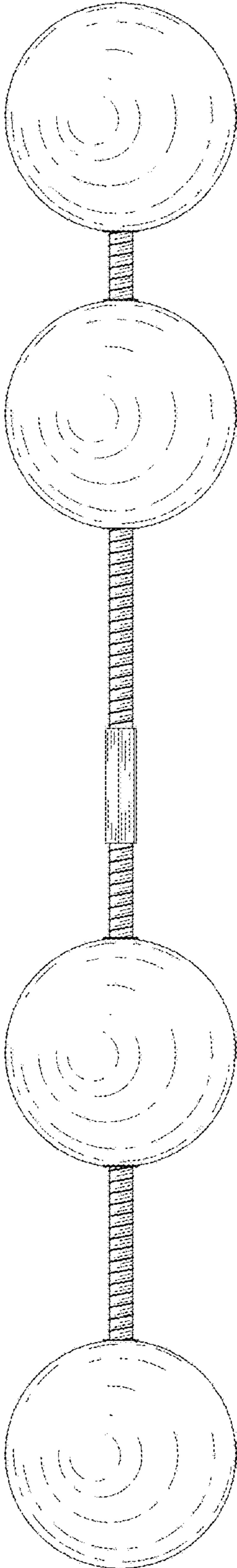


FIG. 9

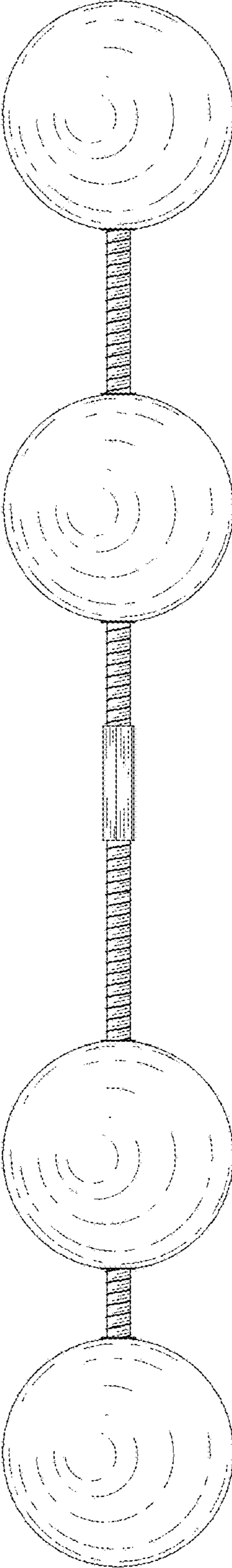


FIG. 10