



US00D841174S

(12) **United States Design Patent** (10) **Patent No.:** **US D841,174 S**  
**Wagenknecht et al.** (45) **Date of Patent:** **\*\* Feb. 19, 2019**

(54) **NIPPLE FOR BABY BOTTLE**  
(71) Applicant: **MAPA GmbH**, Zeven (DE)  
(72) Inventors: **Uwe Wagenknecht**, Tostedt (DE);  
**Bodo Warden**, Mönchengladbach (DE);  
**Sarah-Dimple Dass**, Hamburg (DE)

(73) Assignee: **MAPA GmbH**, Zeven (DE)

(\*\*) Term: **15 Years**

(21) Appl. No.: **29/561,181**

(22) Filed: **Apr. 14, 2016**

(30) **Foreign Application Priority Data**

Oct. 16, 2015 (EM) ..... 002825554

(51) **LOC (11) Cl.** ..... **07-01**

(52) **U.S. Cl.**  
USPC ..... **D24/197**

(58) **Field of Classification Search**  
USPC ..... D24/193, 194, 195, 196, 197, 198, 199,  
D24/207; D7/392, 510, 511, 517, 539,  
D7/619.2; D9/516, 530, 719, 761  
CPC ..... A61J 9/00; A61J 9/0623  
See application file for complete search history.

(56) **References Cited**

**U.S. PATENT DOCUMENTS**

D478,669 S \* 8/2003 Wear ..... D24/197  
D595,417 S \* 6/2009 Driver ..... D24/197  
D666,731 S \* 9/2012 Mustecaplioğlu ..... D24/197  
D674,498 S \* 1/2013 Lhomme ..... D24/197  
D696,410 S \* 12/2013 Tollman ..... D24/197  
D794,392 S \* 8/2017 Rashid ..... D7/507  
2007/0068890 A1\* 3/2007 Rohrig ..... A61J 9/04  
215/11.1  
2013/0200031 A1\* 8/2013 Rees ..... A61J 11/006  
215/11.4  
2015/0290086 A1\* 10/2015 Prentice ..... A61J 9/04  
215/11.5  
2015/0290087 A1\* 10/2015 Kirkland ..... A61J 11/02  
215/11.5

2016/0089306 A1\* 3/2016 Chee ..... A61J 9/00  
215/11.1  
2016/0120761 A1\* 5/2016 Wood ..... B65D 81/3266  
215/11.6  
2017/0112720 A1\* 4/2017 Wagenknecht ..... A61J 11/006

**OTHER PUBLICATIONS**

“NUK Simply Natural Newborn Gift Set”. Found online May 9, 2018 at amazon.com. Page dated Mar. 15, 2017. Retrieved from [https://www.amazon.com/NUK-Simply-Natural-Newborn-Gift/dp/B01MSTU07P/ref=cm\\_cr\\_arp\\_d\\_product\\_top?ie=UTF8](https://www.amazon.com/NUK-Simply-Natural-Newborn-Gift/dp/B01MSTU07P/ref=cm_cr_arp_d_product_top?ie=UTF8).  
“NUK / Gerber—Infant Starter Bottle Gift Set”. Found online May 9, 2018 at walmart.com. Page dated Feb. 13, 2010. Retrieved from <https://www.walmart.com/ip/NUK-Gerber-Infant-Starter-Bottle-Gift-Set-BPA-Free/13060518>.  
“Born Free Wide Neck Glass Bottle”. Found online Feb. 12, 2018 at amazon.in. Page dated Oct. 29, 2013. Retrieved from [https://www.amazon.in/Born-Free-Glass-Bottle-Ounces/dp/B00A9FCUFE/ref=sr\\_1\\_211?s=baby&ie=UTF8&qid=1517541085&sr=1-211](https://www.amazon.in/Born-Free-Glass-Bottle-Ounces/dp/B00A9FCUFE/ref=sr_1_211?s=baby&ie=UTF8&qid=1517541085&sr=1-211).  
“Philips Avent BPA Free Bottle”. Found online Feb. 9, 2018 at amazon.com. Page dated Oct. 3, 2008. Retrieved from [https://www.amazon.com/...-AVENT-Bottle-Discontinued-Manufacturer/dp/B001BWRWMA/ref=sr\\_1\\_13\\_s\\_it?s=baby-products&ie=UTF8&qid=1518211293&sr=1-13&keywords=avent](https://www.amazon.com/...-AVENT-Bottle-Discontinued-Manufacturer/dp/B001BWRWMA/ref=sr_1_13_s_it?s=baby-products&ie=UTF8&qid=1518211293&sr=1-13&keywords=avent).

\* cited by examiner

*Primary Examiner* — George D. Kirschbaum

*Assistant Examiner* — Kendra Leslie Hamilton

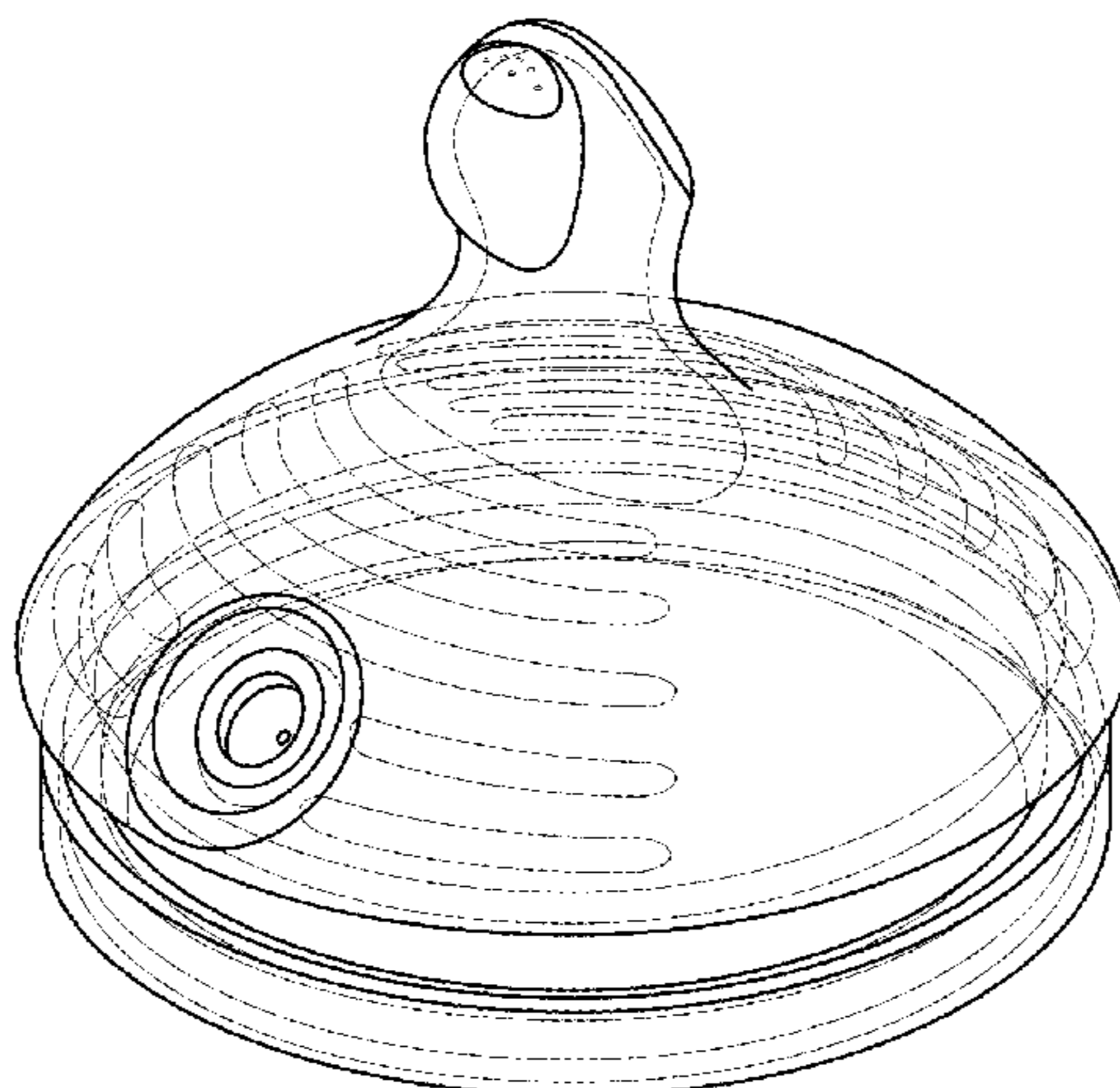
(57) **CLAIM**

The ornamental design for a nipple for baby bottle, as shown.

**DESCRIPTION**

FIG. 1 is a top, left, rear perspective view of a nipple for baby bottle;  
FIG. 2 is a left side elevation view thereof;  
FIG. 3 is a right side elevation view thereof;  
FIG. 4 is a front elevation view thereof;  
FIG. 5 is a rear elevation view thereof;  
FIG. 6 is a top plan view thereof; and,  
FIG. 7 is a bottom plan view thereof.

**1 Claim, 7 Drawing Sheets**



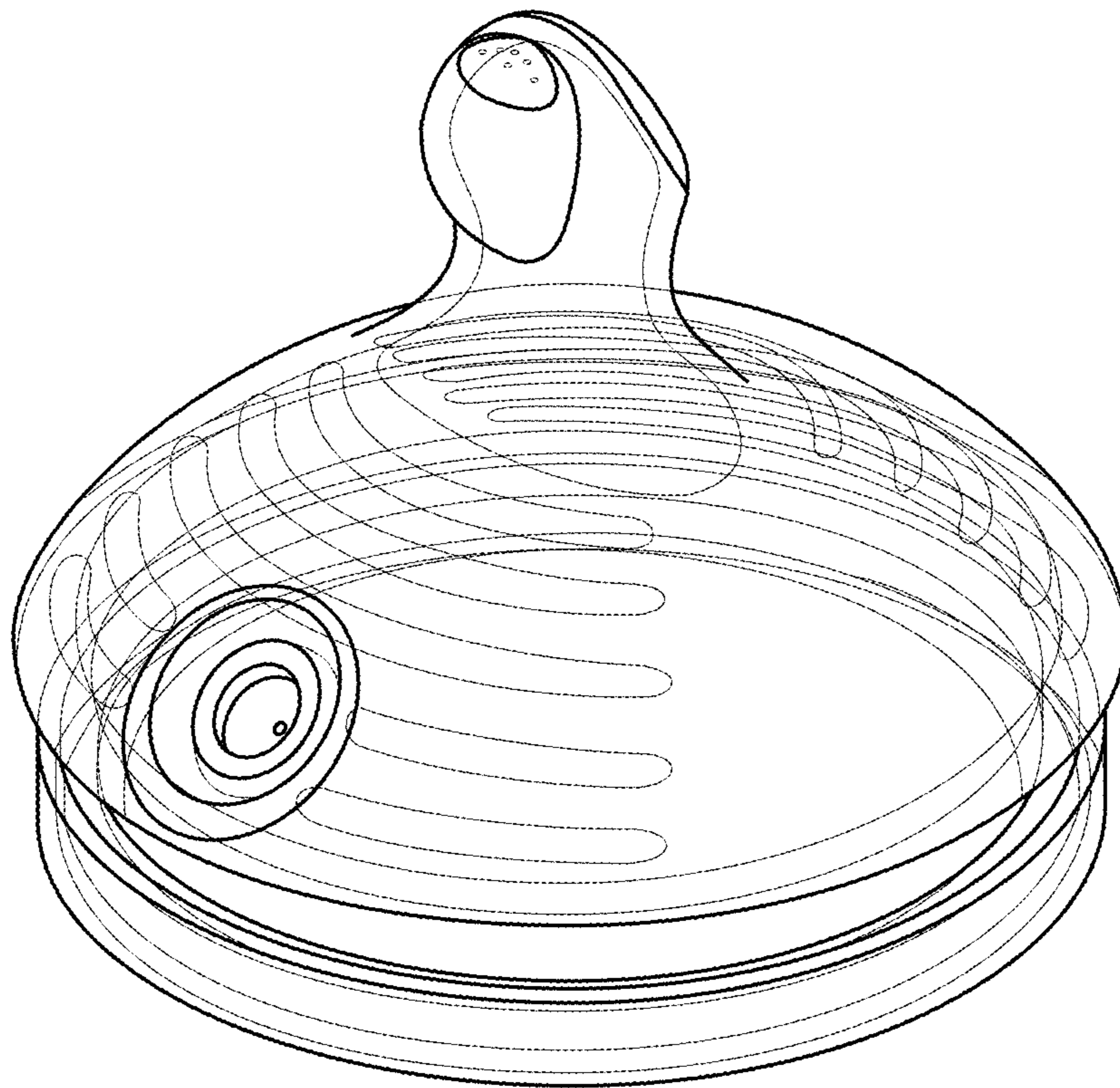


FIG. 1

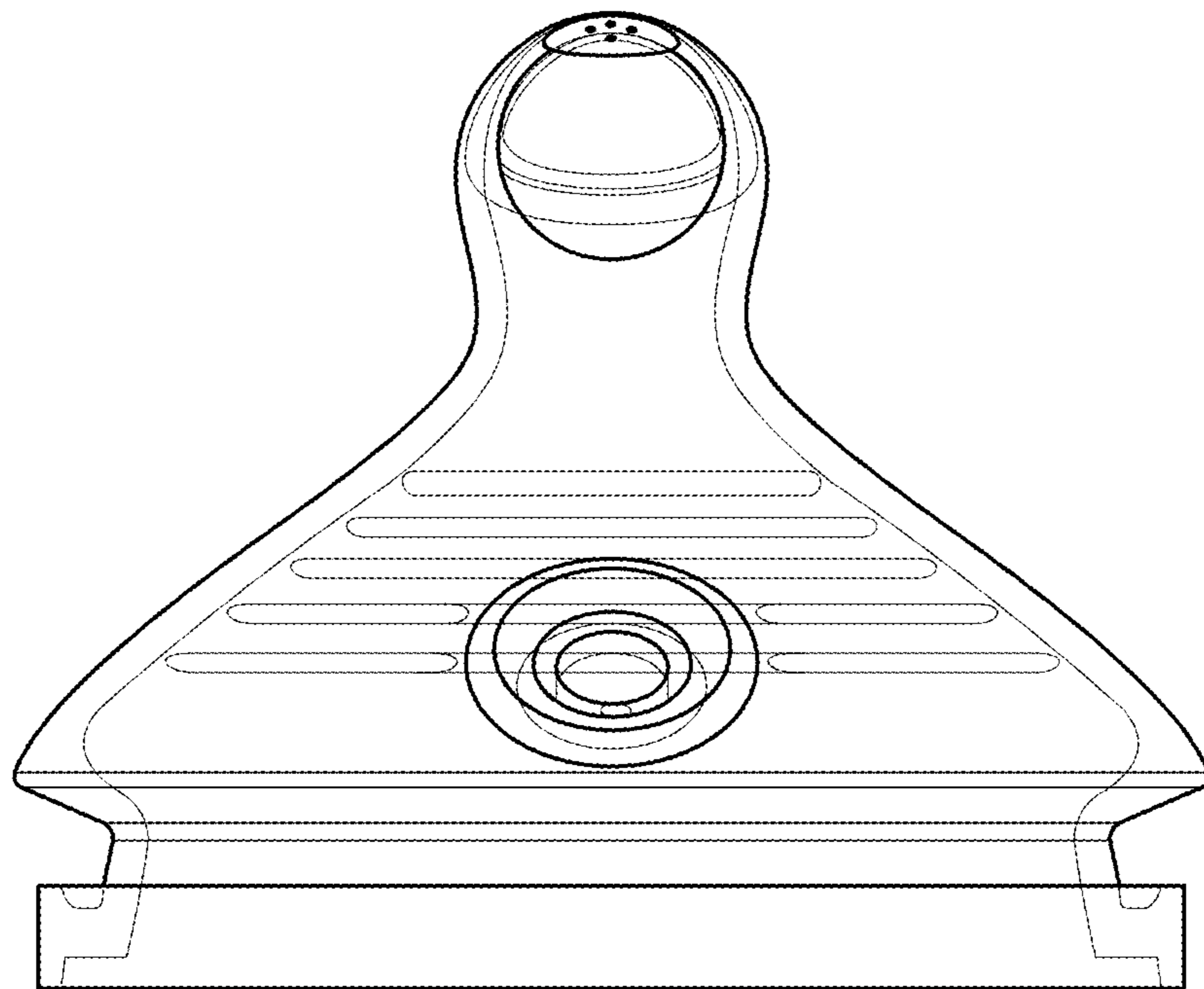


FIG. 2

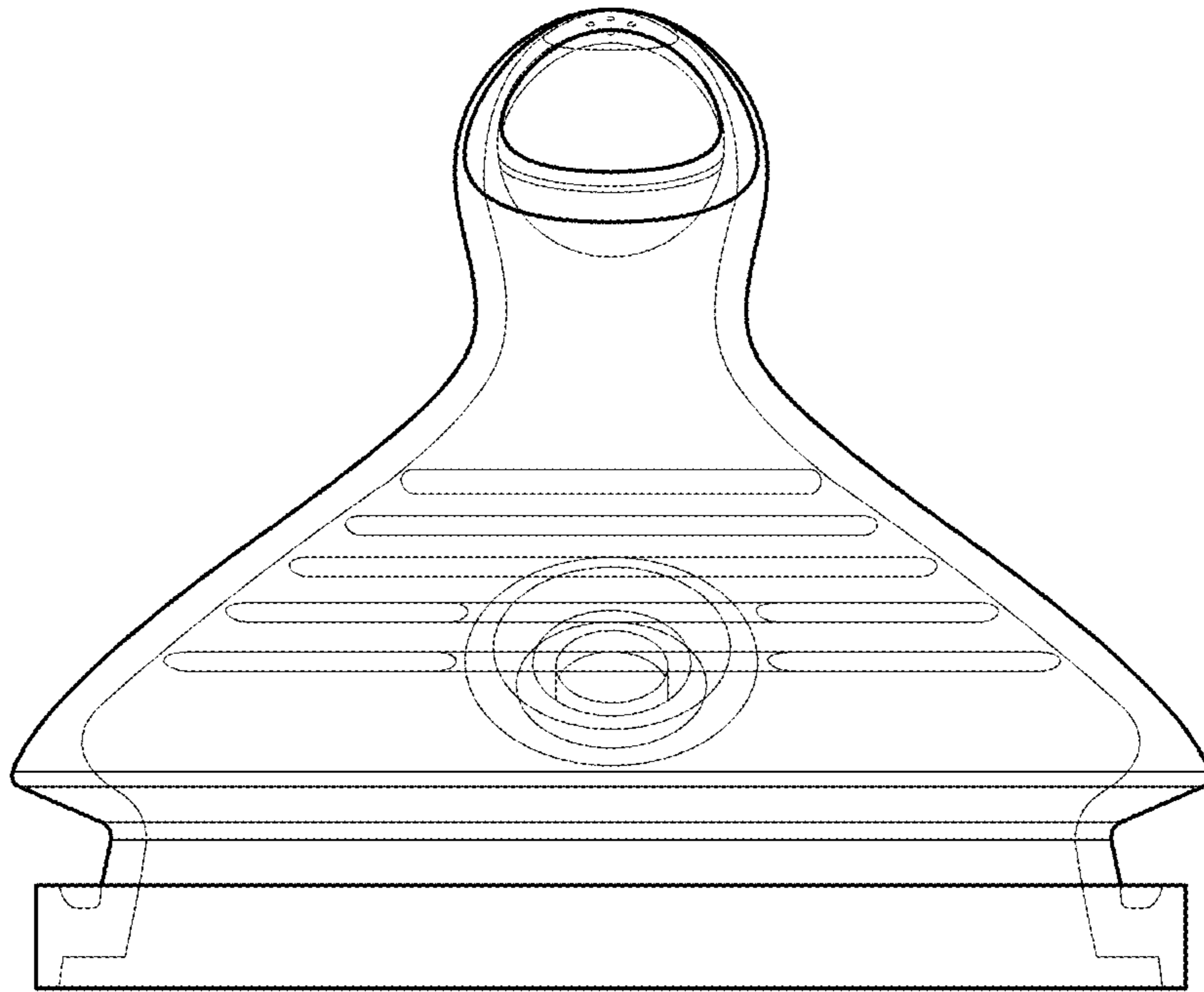


FIG. 3

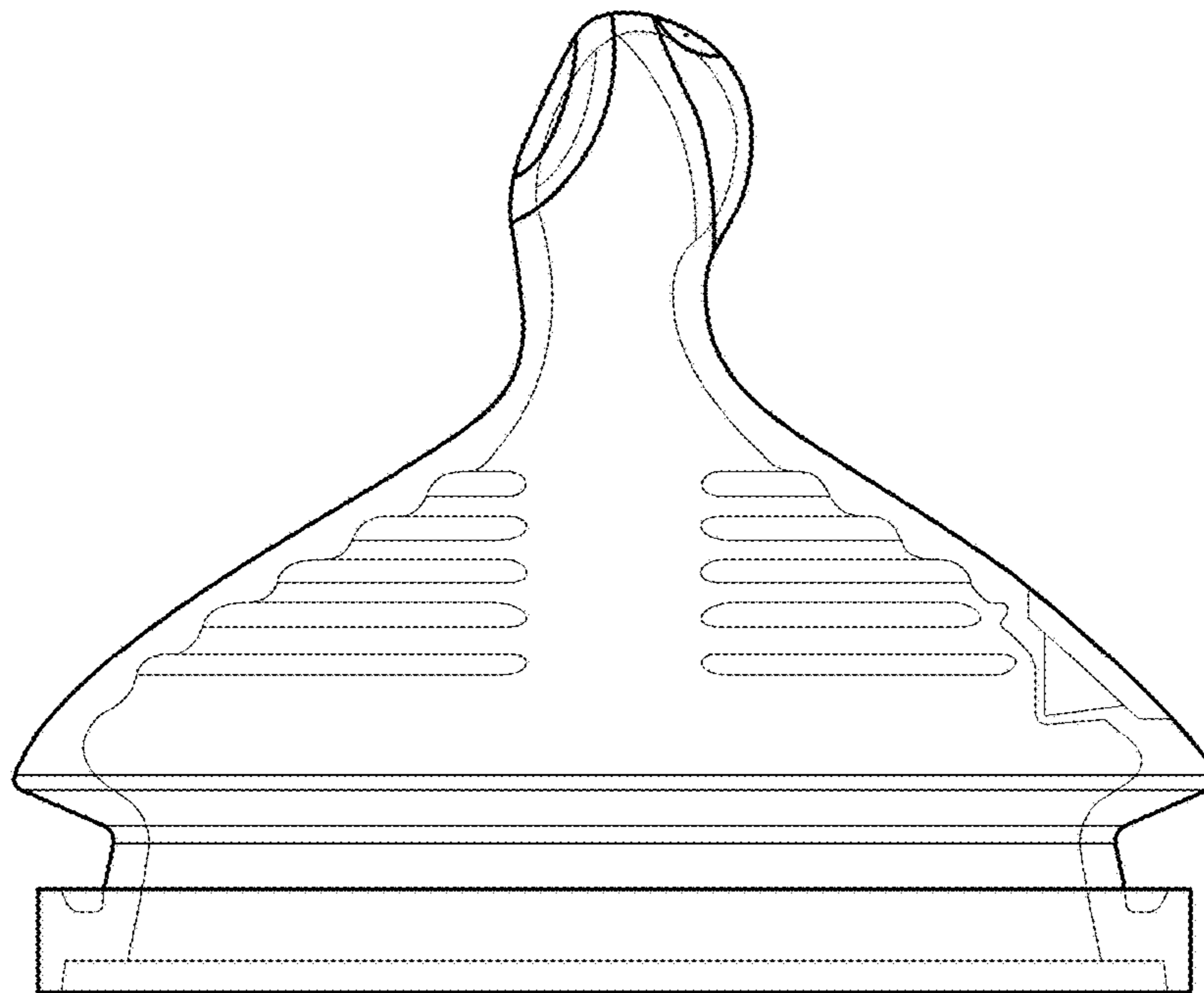


FIG. 4



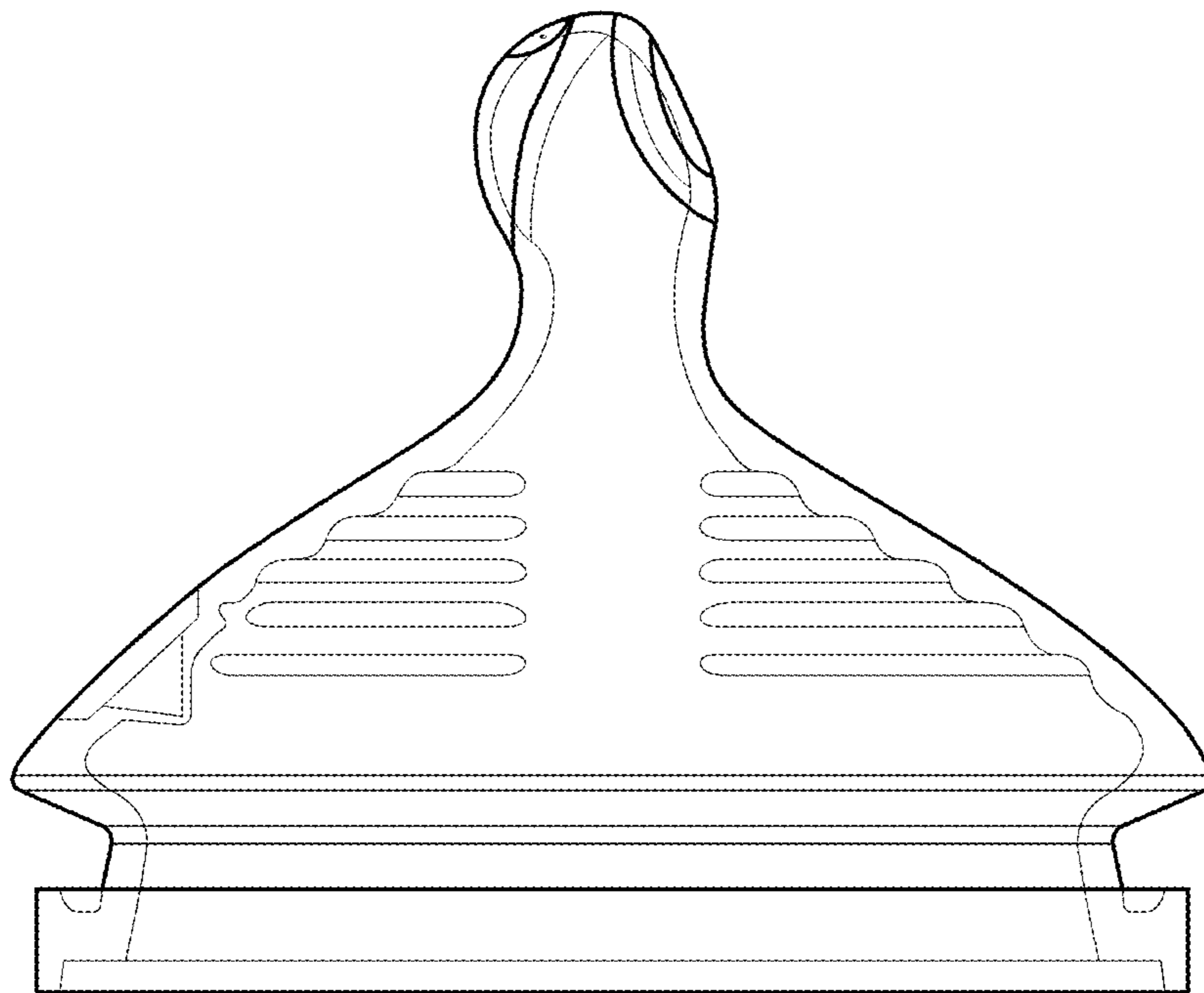


FIG. 5

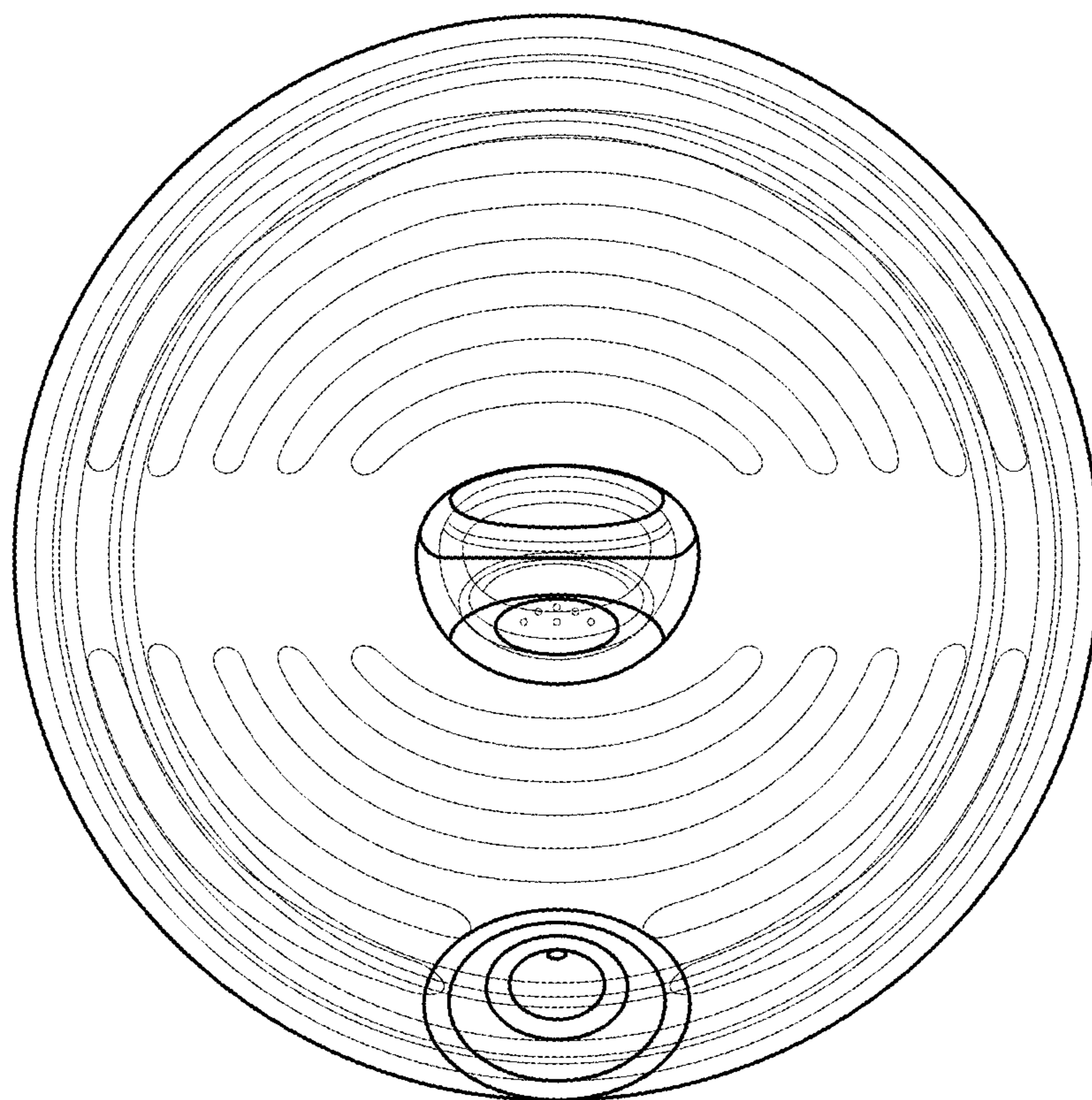


FIG. 6

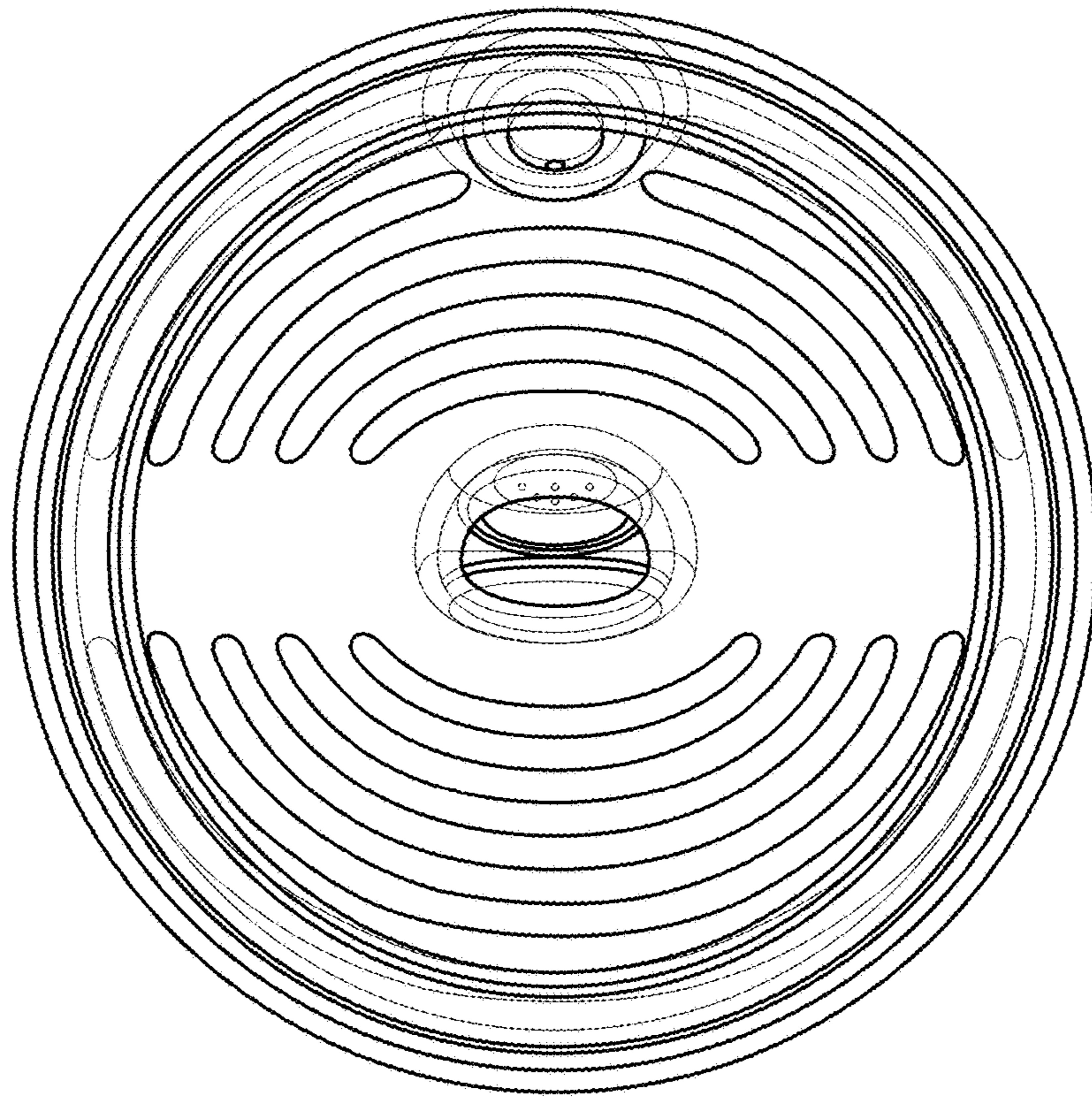


FIG. 7