



US00D841170S

(12) **United States Design Patent** (10) **Patent No.:** **US D841,170 S**
Sul (45) **Date of Patent:** **** Feb. 19, 2019**

(54) **TABLE FOR PATIENT**

(71) Applicant: **Samsung Electronics Co., Ltd.**,
Suwon-si (KR)

(72) Inventor: **Sungwoo Sul**, Yongin-si (KR)

(73) Assignee: **Samsung Electronics Co., Ltd.**,
Suwon-si (KR)

(**) Term: **15 Years**

(21) Appl. No.: **29/558,925**

(22) Filed: **Mar. 23, 2016**

(30) **Foreign Application Priority Data**

Nov. 12, 2015 (KR) 30-2015-0056913

(51) **LOC (11) Cl.** **24-01**

(52) **U.S. Cl.**
USPC **D24/183**

(58) **Field of Classification Search**

USPC D24/159, 183, 184; D6/382-383;
128/845, 847, 849, 878; 248/70, 206.5;
250/395; 378/20, 69, 209; 5/600, 601,
5/607-612, 614, 616, 617, 623; 600/407,
600/410, 411, 415, 427; 604/95.01, 174
CPC A61B 46/00; A61B 17/02; A61B 34/30;
A61B 5/055; A61B 6/032; A61B 34/37;
A61B 5/0555; A61B 6/35; A61B 6/04;
A61B 6/0407; A61B 6/0421; A61B
6/0442; A61B 6/0456; A61B 6/0457;
A61B 34/71; A61G 13/00; A61G
13/0009; A61G 13/0018; A61G 13/0036;
A61G 13/009; A61G 13/02; A61G 13/04;
A61G 13/08; A61G 13/10; A61G 13/101;
A61G 13/104; A61G 13/105; A61G
13/12; A61G 13/121; A61G 13/1235;
A61G 7/00; A61G 7/0005; A61G 7/001;
A61G 7/005; A61G 7/012; A61G 7/015;
A61G 7/05; A61G 7/0503; A61G 7/065;
A61G 7/1019

See application file for complete search history.

(56) **References Cited**

U.S. PATENT DOCUMENTS

D434,151 S * 11/2000 Fanuzzi D24/183
D441,868 S * 5/2001 Rodenas Santiago D24/183
D453,968 S * 2/2002 Zachrisson D24/183
D462,445 S * 9/2002 Barde D24/183
6,484,334 B1 * 11/2002 Borders A61G 13/08
5/600
6,973,689 B2 * 12/2005 Lenting A61B 6/0457
600/415
D553,246 S * 10/2007 Banryu D24/183

(Continued)

FOREIGN PATENT DOCUMENTS

EM 001866591-0002 6/2011
EM 002035535-0003 5/2012

Primary Examiner — Ian Simmons

Assistant Examiner — Samantha Q. Lawrence

(74) *Attorney, Agent, or Firm* — NSIP Law

(57) **CLAIM**

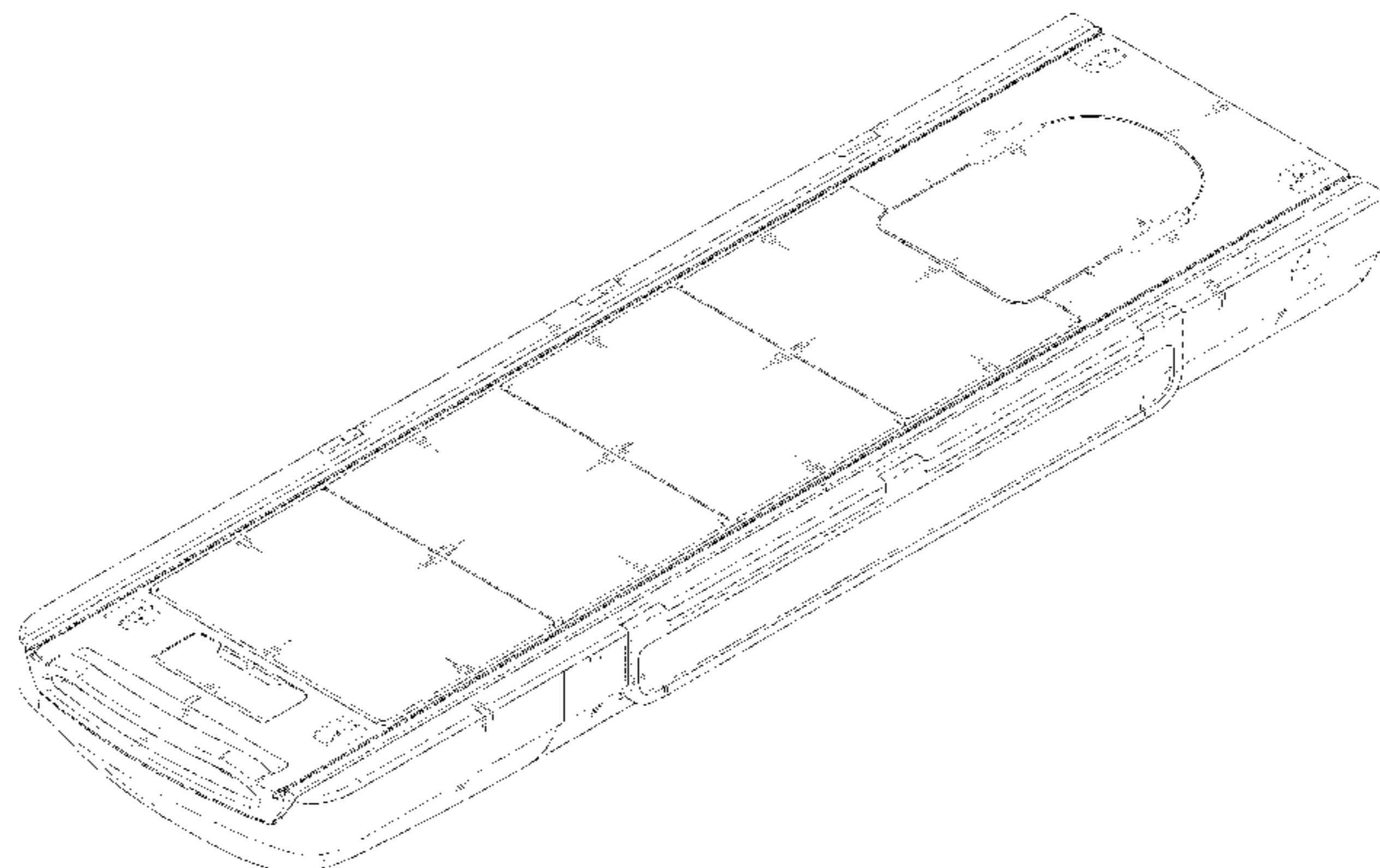
I claim the ornamental design for a table for patient, as shown and described.

DESCRIPTION

FIG. 1 is a front perspective view of a table for patient showing my new design;
FIG. 2 is a front view thereof;
FIG. 3 is a rear view thereof;
FIG. 4 is a left-side view thereof;
FIG. 5 is a right-side view thereof;
FIG. 6 is a top view thereof;
FIG. 7 is a bottom view thereof; and,
FIG. 8 is a front perspective view thereof shown in an example environment.

The broken lines in the figures show portions of the table for patient which form no part of the claimed design.

1 Claim, 8 Drawing Sheets



(56)

References Cited

U.S. PATENT DOCUMENTS

D604,421 S *	11/2009	Albrecht	D24/183	9,233,042 B1 *	1/2016	Freude	A61G 13/10
D604,422 S *	11/2009	Albrecht	D24/183	D748,804 S *	2/2016	Eenboom	D24/183
7,761,941 B2 *	7/2010	Losser	A61B 5/055	9,265,680 B2 *	2/2016	Sharps	A61G 13/04
				5/601	D752,757 S *	3/2016	Li	D24/159
D630,330 S *	1/2011	Baba	D24/159	D770,049 S *	10/2016	Yanagihara	D24/183
7,979,932 B2 *	7/2011	Liang	A61G 13/08	D774,195 S *	12/2016	Ramos	D24/183
				5/613	D820,459 S *	6/2018	Eenboom	D24/183
D681,208 S *	4/2013	Ninomiya	D24/159	2004/0216232 A1 *	11/2004	Bradcovich	A61B 6/0442
8,539,622 B2 *	9/2013	West	A61B 46/00					5/601
				5/623	2007/0197908 A1 *	8/2007	Ruchala	A61N 5/1049
8,633,827 B2 *	1/2014	Lakshminarayanan ..		A61B 6/04					600/427
				5/600	2008/0243064 A1 *	10/2008	Stahler	A61B 34/71
D701,605 S *	3/2014	Ohmukai	D24/183					604/95.01
8,689,377 B2 *	4/2014	Hannemann	A61B 6/04	2009/0144902 A1 *	6/2009	Baumann	A61G 13/04
				600/407					5/608
D726,319 S *	4/2015	Sul	D24/159	2009/0306494 A1 *	12/2009	Scarth	A61B 5/0555
D727,509 S	4/2015	Tan et al.							600/411
8,997,281 B2 *	4/2015	Daley	A61G 13/101	2010/0193698 A1 *	8/2010	Hassan	A61B 6/04
				5/616					250/395
D731,068 S *	6/2015	Moon	D24/183	2015/0289829 A1 *	10/2015	Yamada	A61B 6/032
D735,864 S *	8/2015	Doerre	D24/159					378/20
D736,390 S *	8/2015	Kim	D24/183	2015/0320382 A1 *	11/2015	Martinez Ferreira	
D743,555 S *	11/2015	Hasebe	D24/159					A61B 6/0457
D745,971 S *	12/2015	Sharps	D24/183					378/69
					2017/0020466 A1 *	1/2017	Moulin	A61B 6/0442

* cited by examiner

FIG. 1

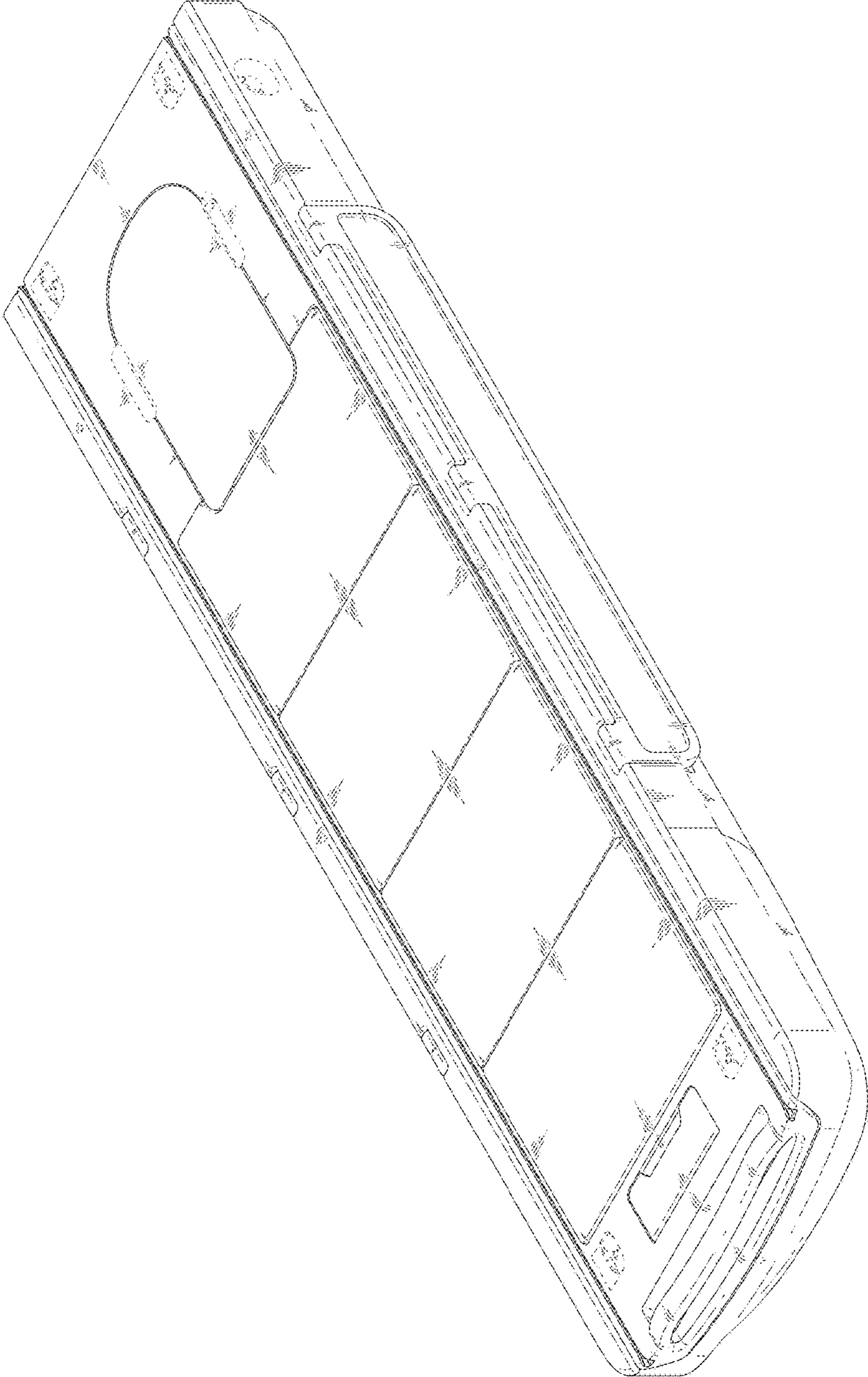


FIG. 2

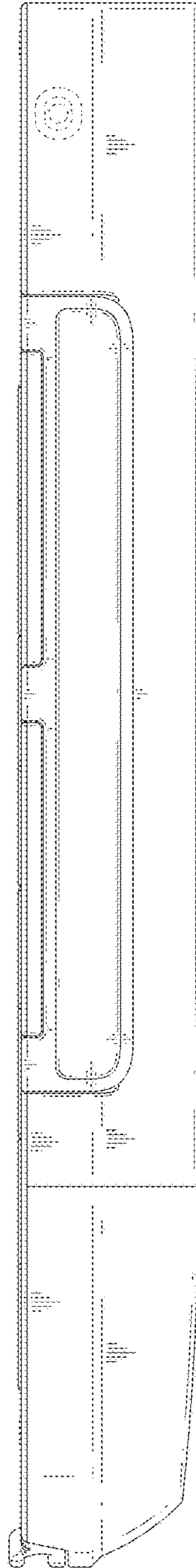


FIG. 3

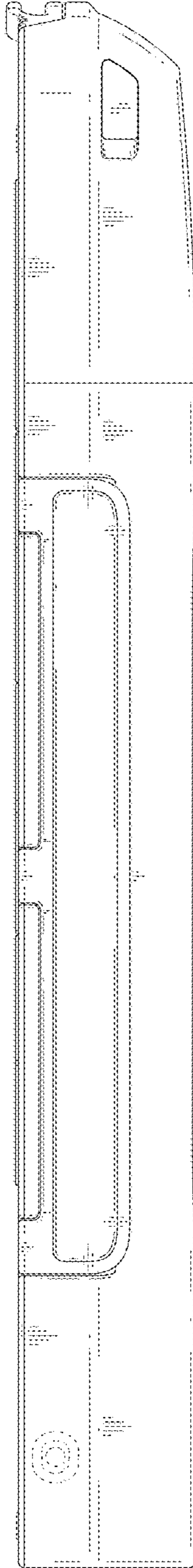


FIG. 4

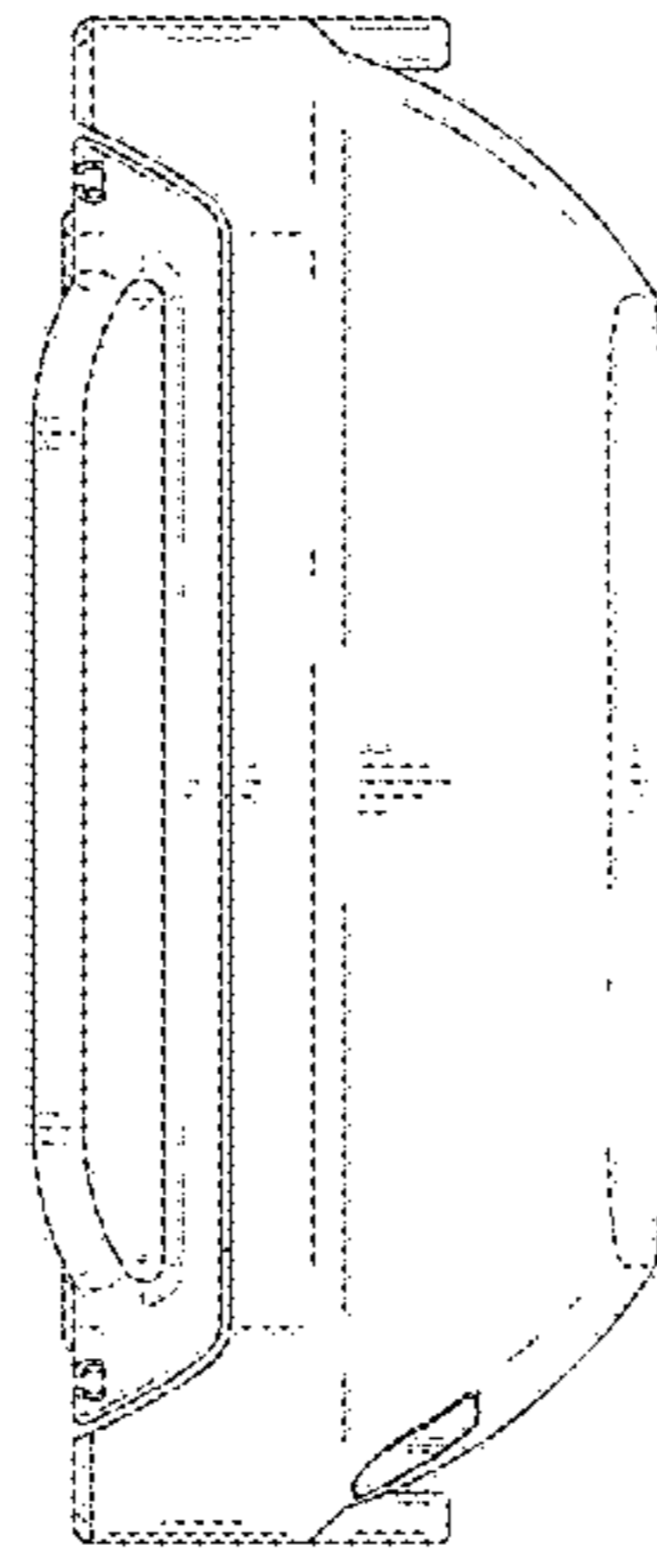


FIG. 5

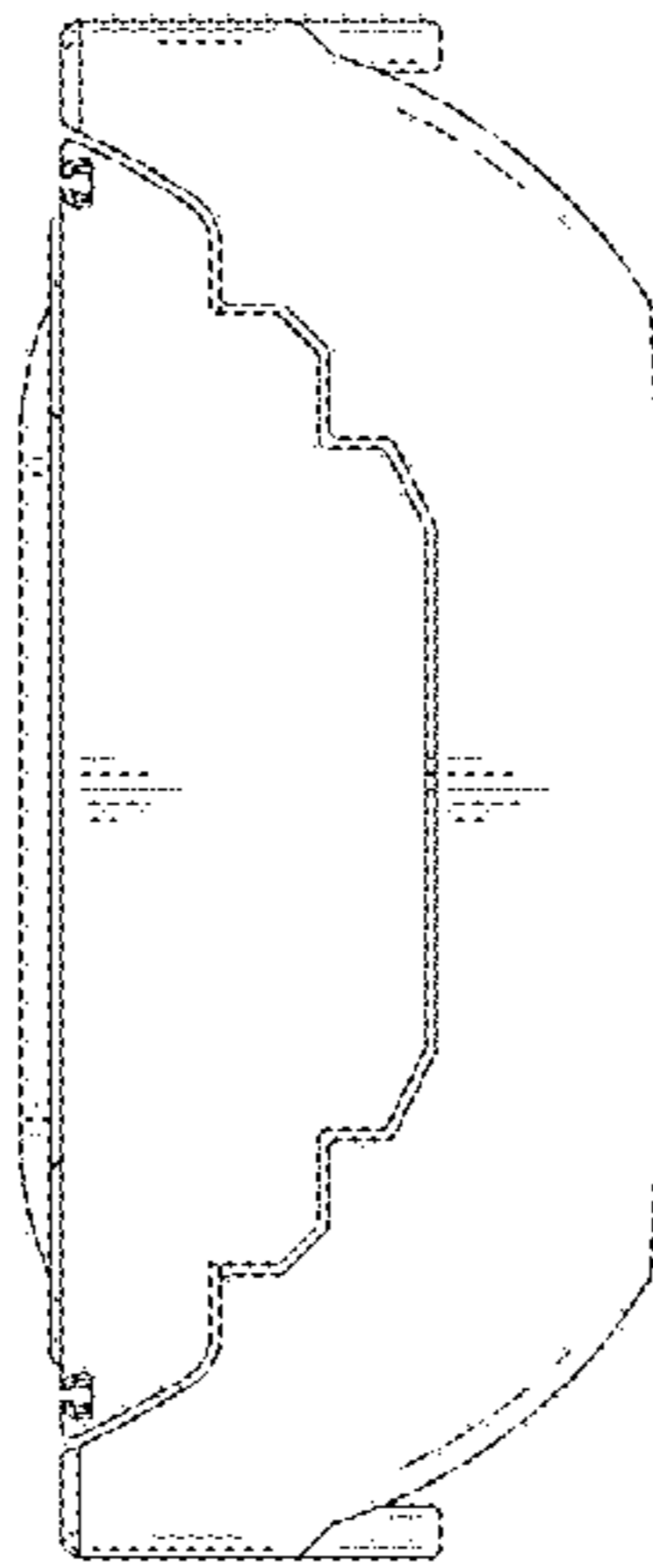


FIG. 6

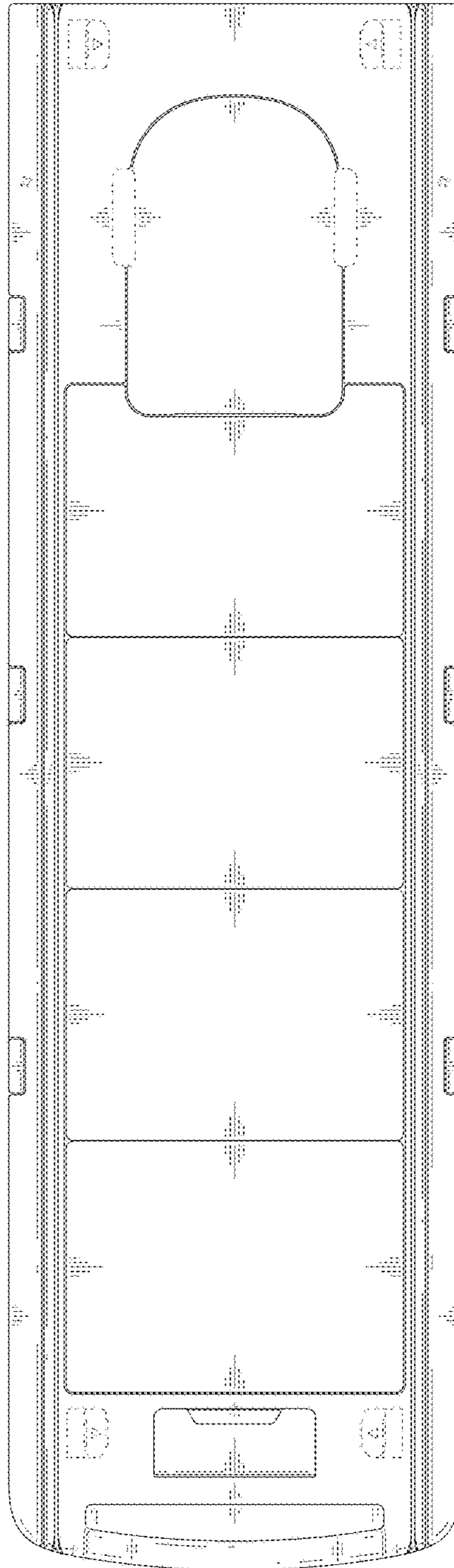


FIG. 7

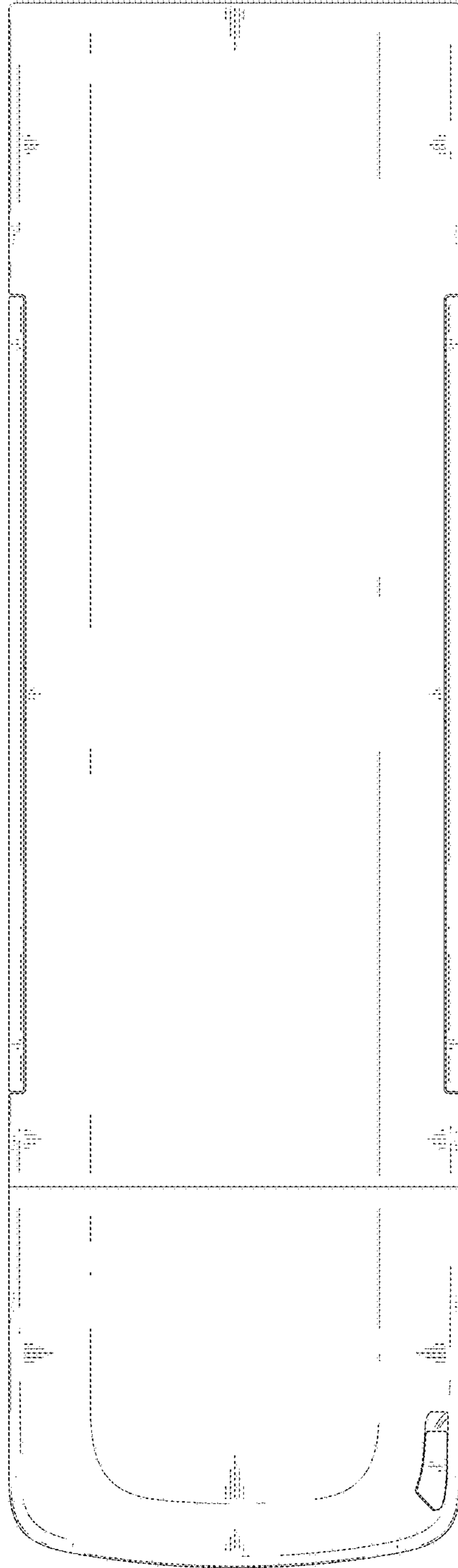


FIG. 8

