



US00D841169S

(12) **United States Design Patent** (10) **Patent No.:** **US D841,169 S**  
**Steinkeller** (45) **Date of Patent:** **\*\* Feb. 19, 2019**

(54) **BLANK**  
(71) Applicant: **Ivoclar Vivadent AG**, Schaan (LI)  
(72) Inventor: **Peter Steinkeller**, Latsch (IT)  
(73) Assignee: **Ivoclar Vivadent AG**, Schaan (LI)  
(\*\*) Term: **15 Years**  
(21) Appl. No.: **29/583,358**  
(22) Filed: **Nov. 4, 2016**  
(51) **LOC (11) Cl.** ..... **24-02**  
(52) **U.S. Cl.**  
USPC ..... **D24/181**  
(58) **Field of Classification Search**  
USPC ..... D24/152, 155-156, 176, 181; 428/542.8  
CPC ..... B23Q 3/103; B23Q 3/104; B23Q 3/062;  
A61C 13/0022; A61C 13/0004; A61C  
13/00; A61C 13/0019; A61C 13/12; A61C  
13/34; A61C 13/08  
See application file for complete search history.

(56) **References Cited**  
U.S. PATENT DOCUMENTS  
D675,325 S \* 1/2013 Ganley ..... A61C 13/0022  
D24/181  
8,551,622 B2 \* 10/2013 Ganley ..... A61C 13/0022  
409/117  
8,568,897 B2 \* 10/2013 Ganley ..... A61C 13/0022  
409/163  
D775,359 S \* 12/2016 Konrad ..... D24/181  
9,662,190 B2 \* 5/2017 Ganley ..... A61C 13/0022  
9,888,987 B2 \* 2/2018 Nakamura ..... A61C 13/0022  
D816,230 S \* 4/2018 Konrad ..... D24/181  
2012/0225403 A1 \* 9/2012 Noguchi ..... A61C 13/12  
433/50

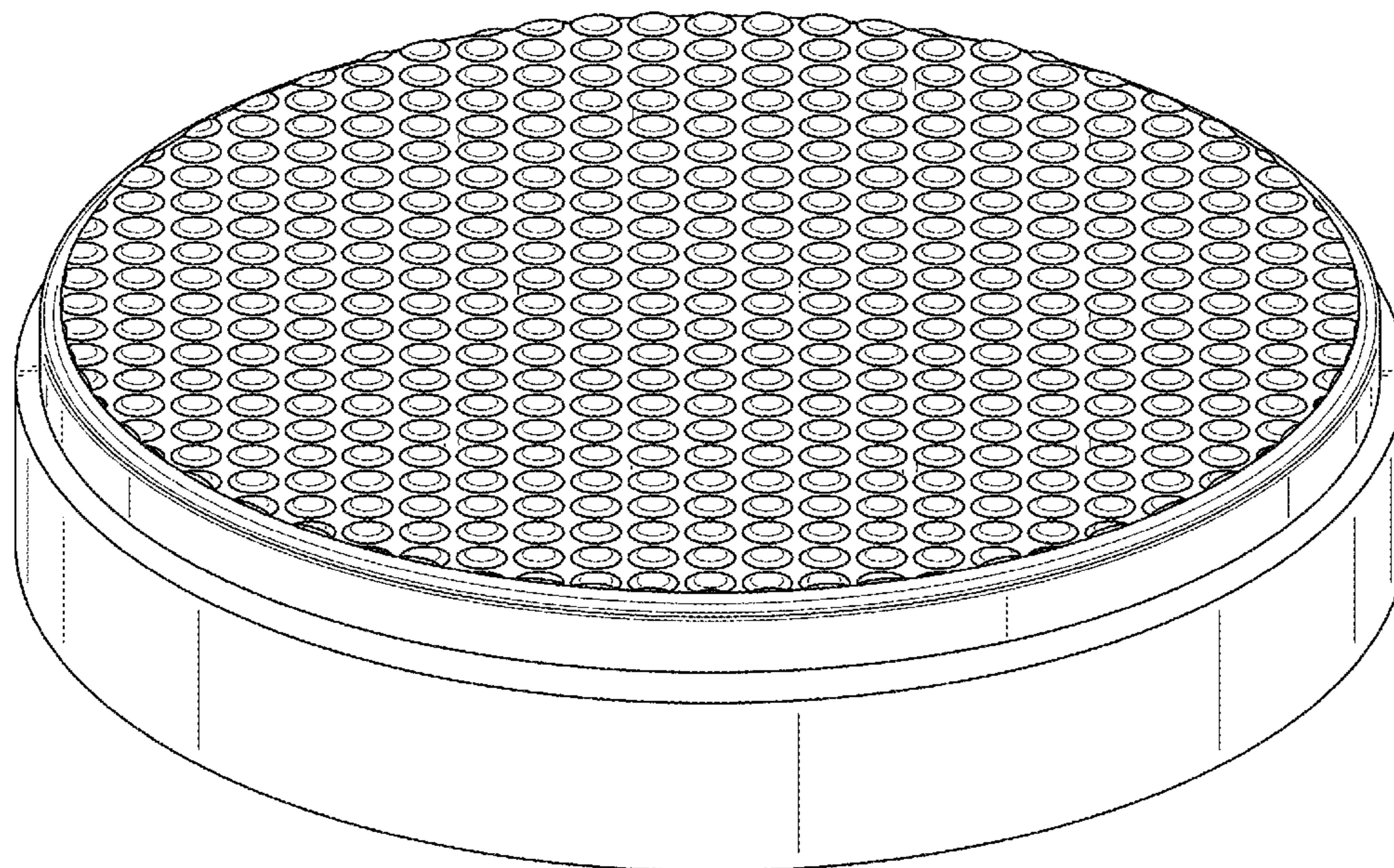
2015/0125822 A1 \* 5/2015 Cramer Von Clausbruch .....  
A61C 13/0022  
433/202.1  
2016/0220337 A1 \* 8/2016 Steger ..... A61C 13/0022  
2016/0242881 A1 \* 8/2016 Fisker ..... A61C 13/0022

\* cited by examiner  
*Primary Examiner* — Wan Laymon  
(74) *Attorney, Agent, or Firm* — Ann M. Knab; Thad  
McMurray

(57) **CLAIM**  
The ornamental design for a blank, as shown and described.

**DESCRIPTION**  
FIG. 1 is a perspective view of a blank showing my new design.  
FIG. 2 is a front view thereof.  
FIG. 3 is a back view thereof.  
FIG. 4 is a left side view thereof.  
FIG. 5 is a right side view thereof.  
FIG. 6 is a top view thereof.  
FIG. 7 is a bottom view thereof.  
FIG. 8 is a cross-sectional view taken from line 8-8 in FIG. 2.  
FIG. 9 is a perspective view of a second embodiment of a blank showing my new design.  
FIG. 10 is a front view of FIG. 9.  
FIG. 11 is a back view of FIG. 9.  
FIG. 12 is a left side view of FIG. 9.  
FIG. 13 is a right side view of FIG. 9.  
FIG. 14 is a top view of FIG. 9.  
FIG. 15 is a bottom view of FIG. 9; and,  
FIG. 16 is a cross-sectional view taken from line 16-16 in FIG. 10.

**1 Claim, 12 Drawing Sheets**





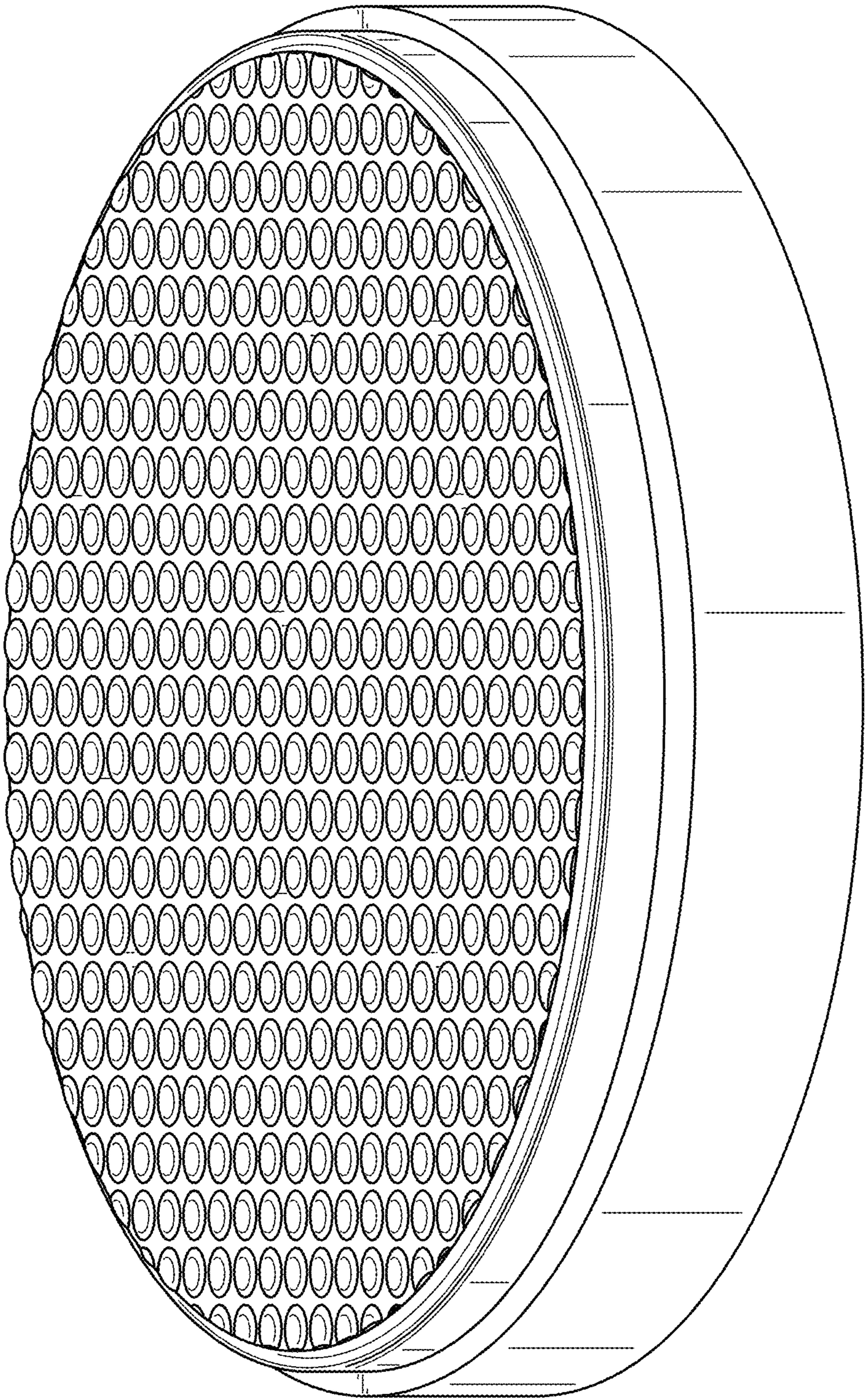


FIG. 1



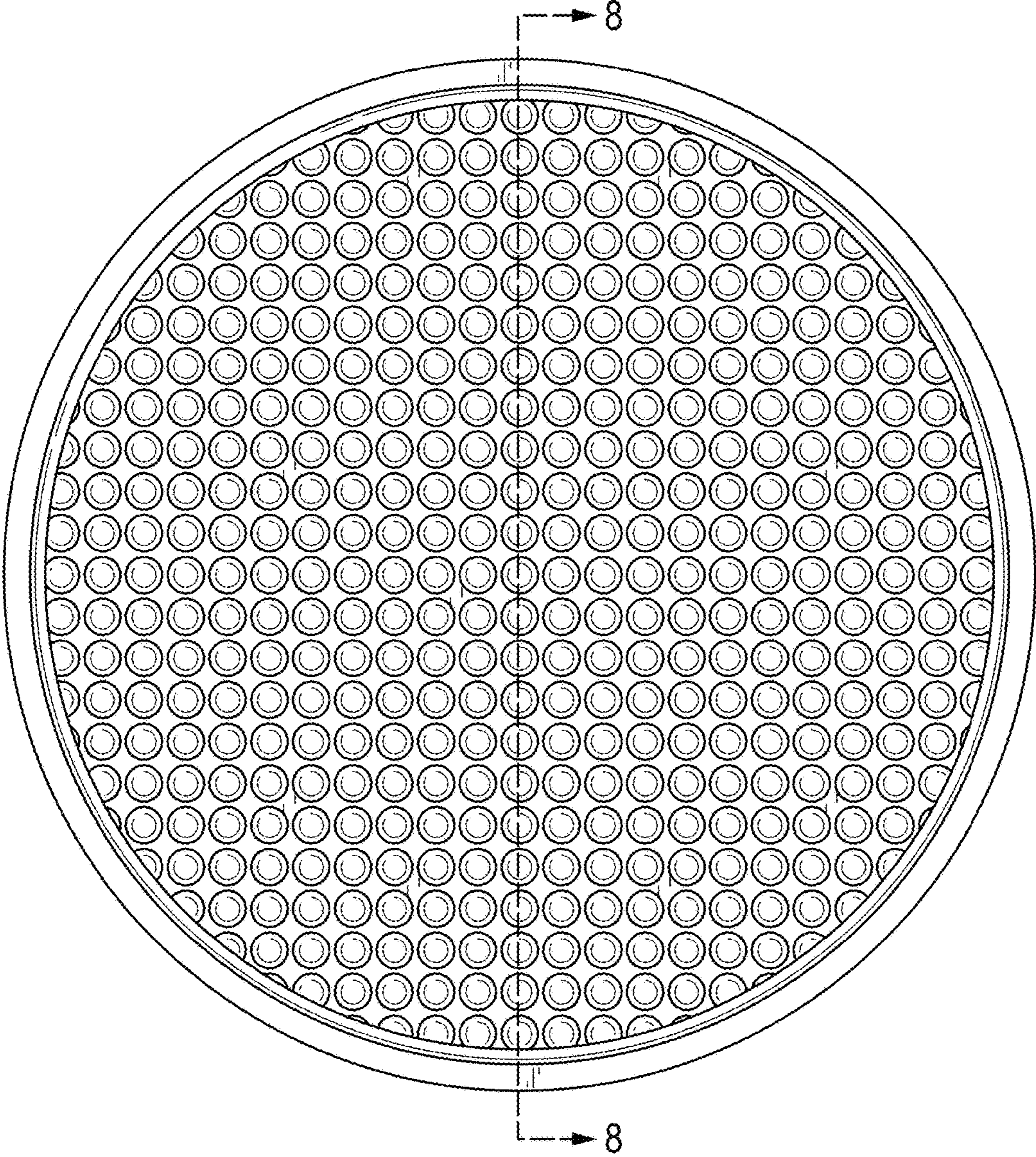


FIG. 2

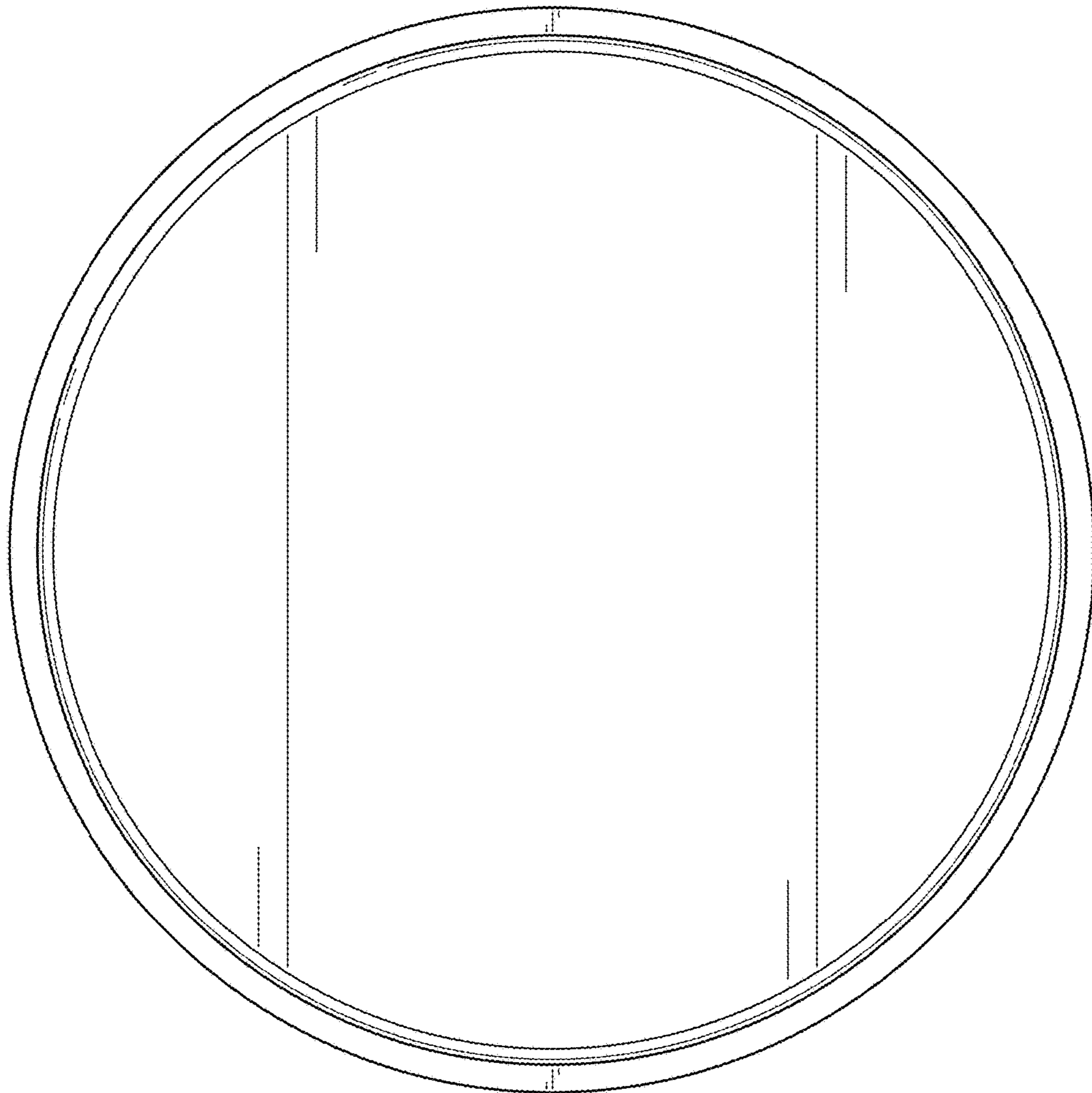


FIG. 3

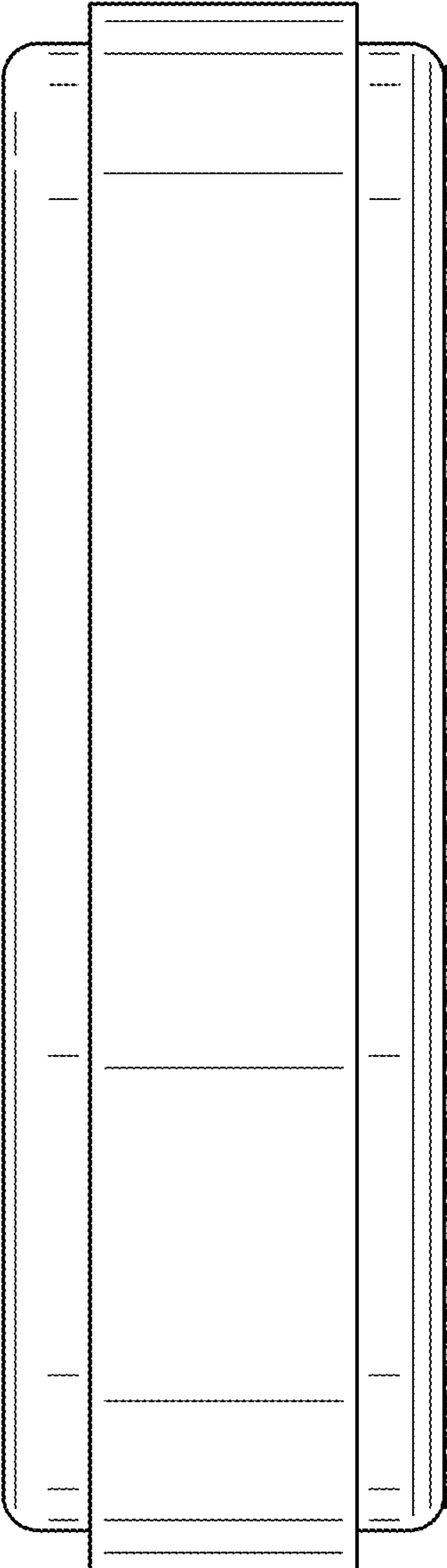


FIG. 4

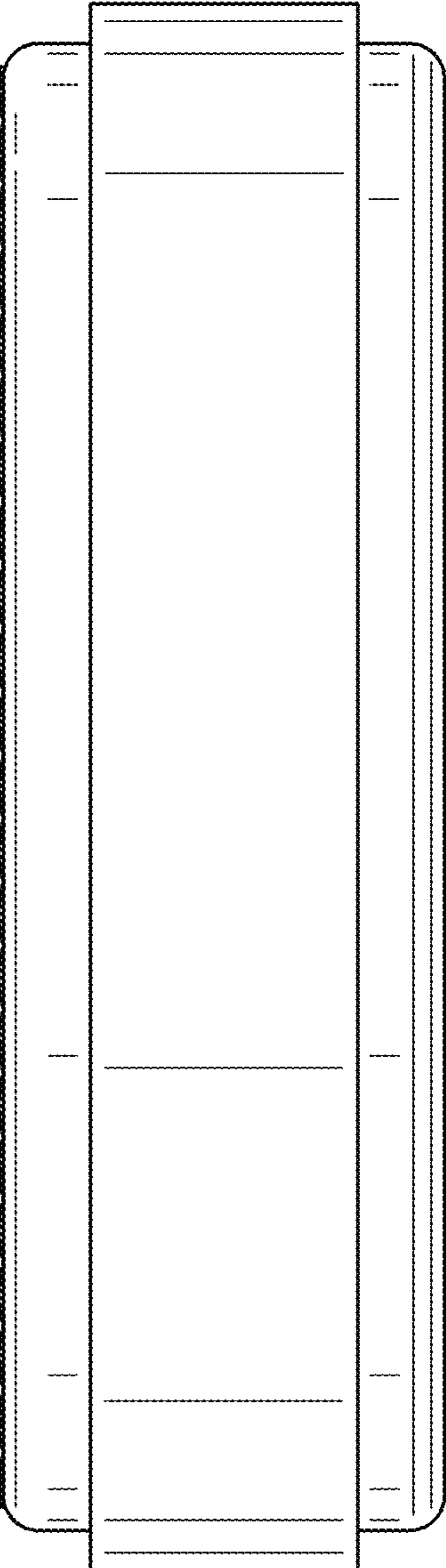


FIG. 5



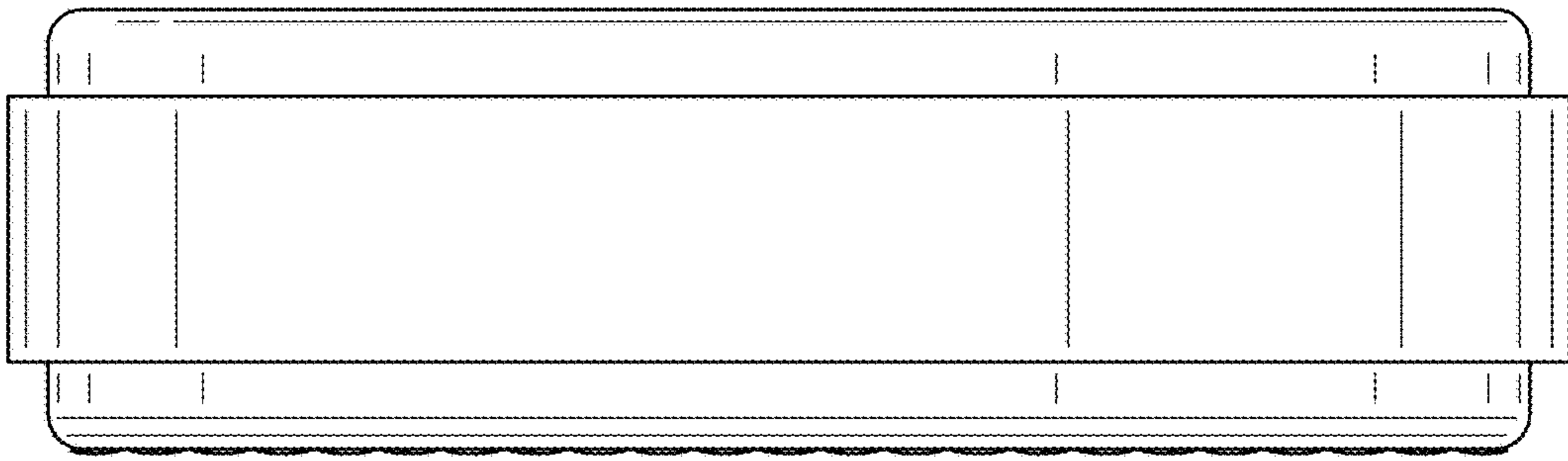


FIG. 6

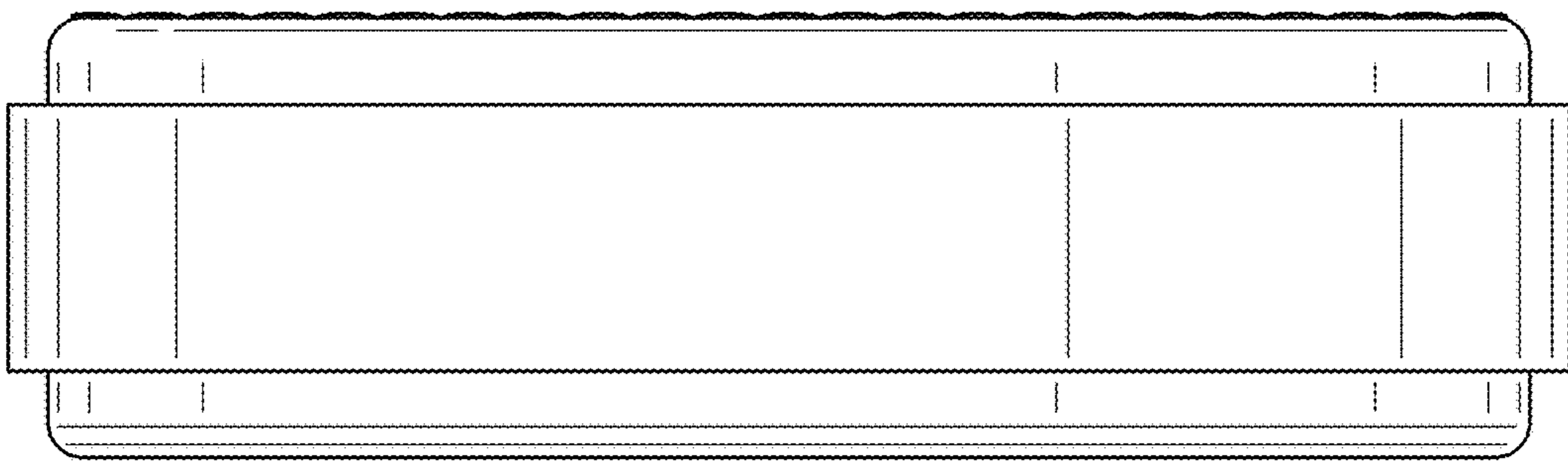


FIG. 7

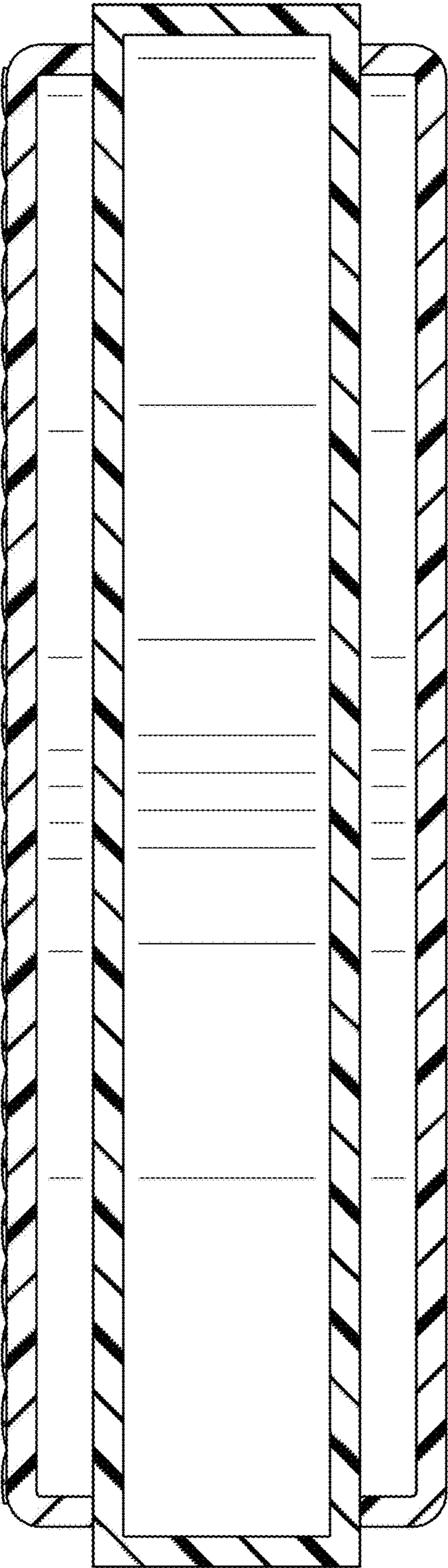


FIG. 8

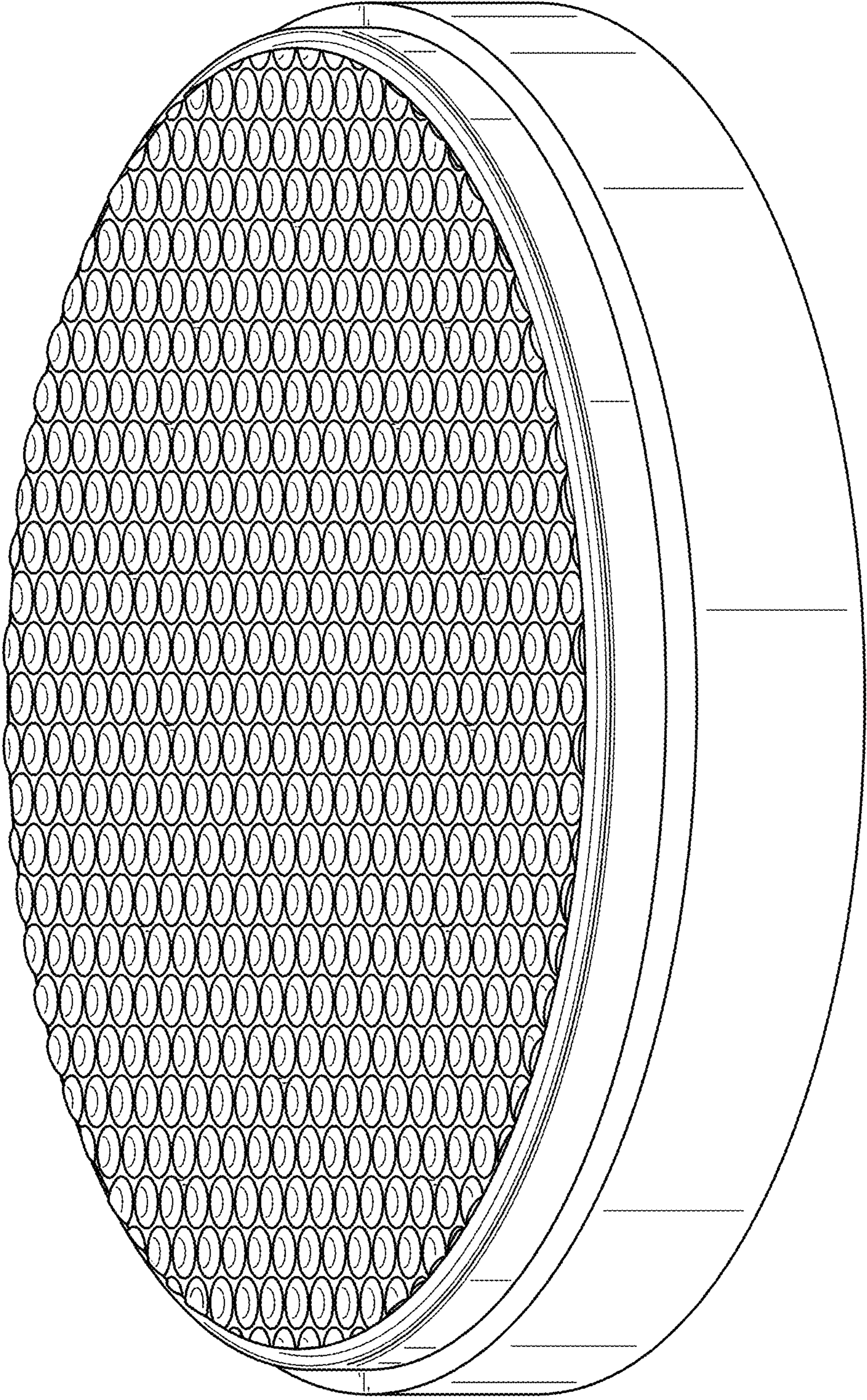


FIG. 9



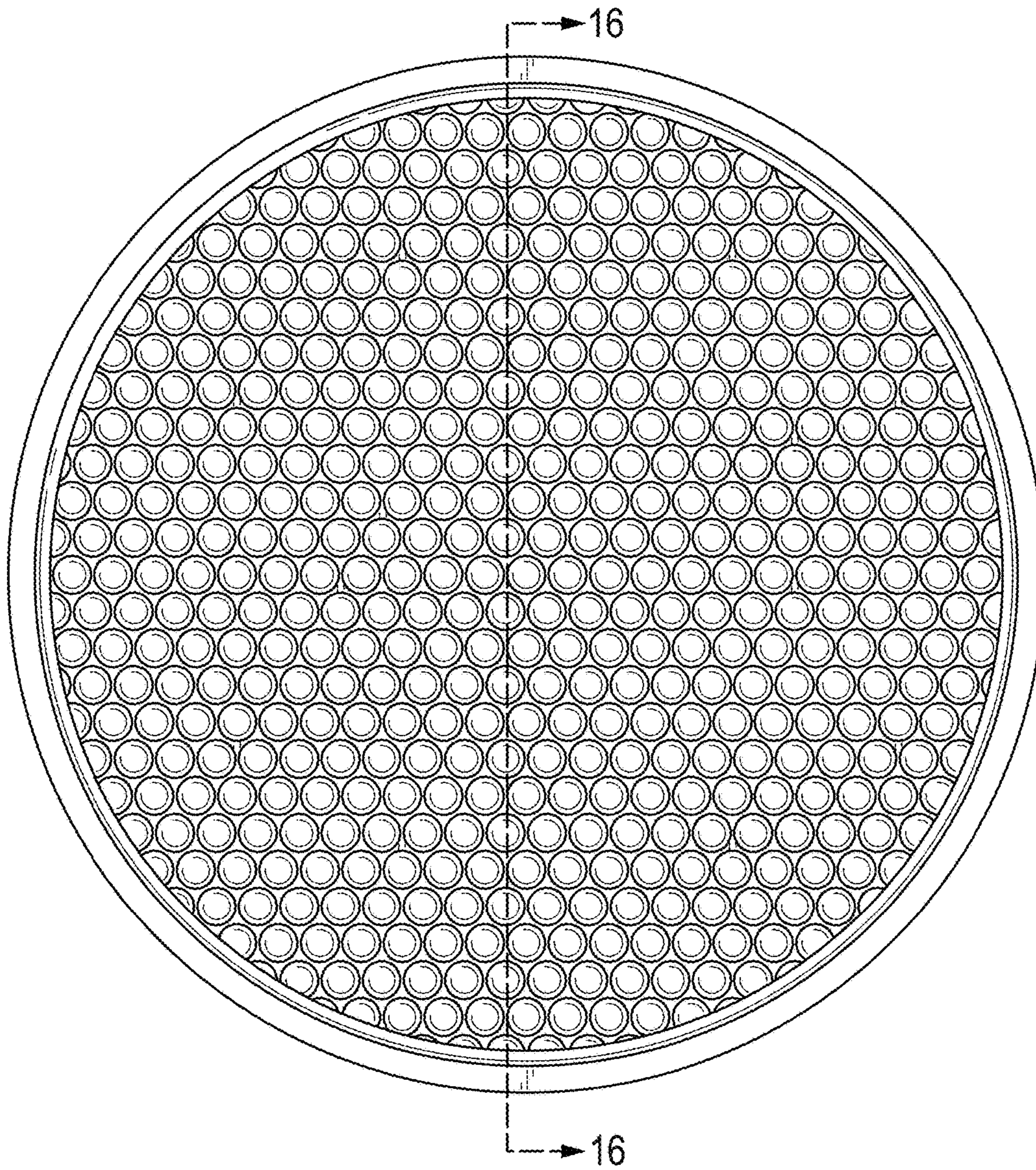


FIG. 10

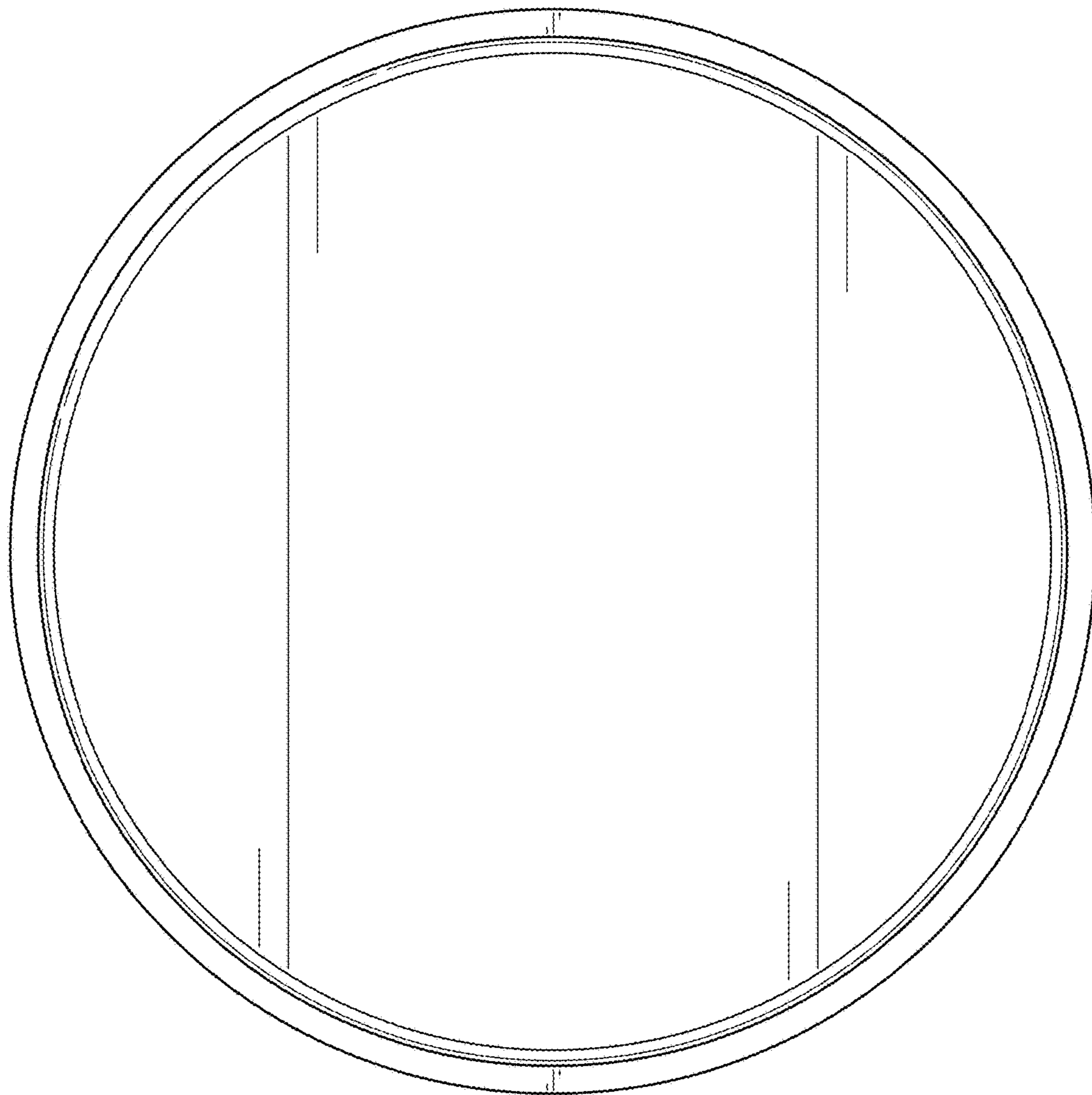


FIG. 11



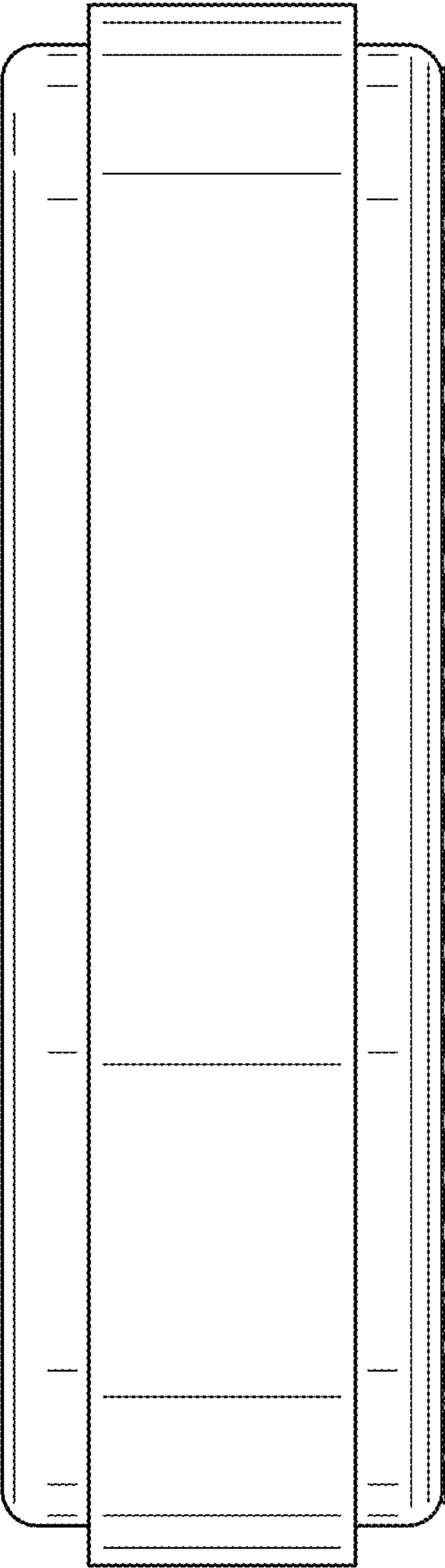


FIG. 12

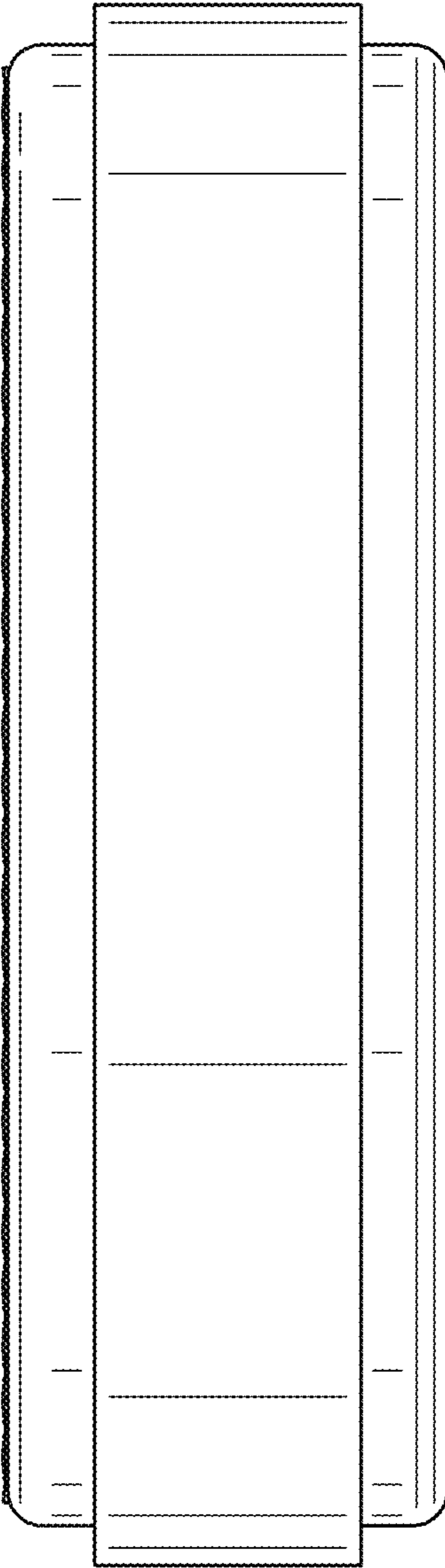


FIG. 13

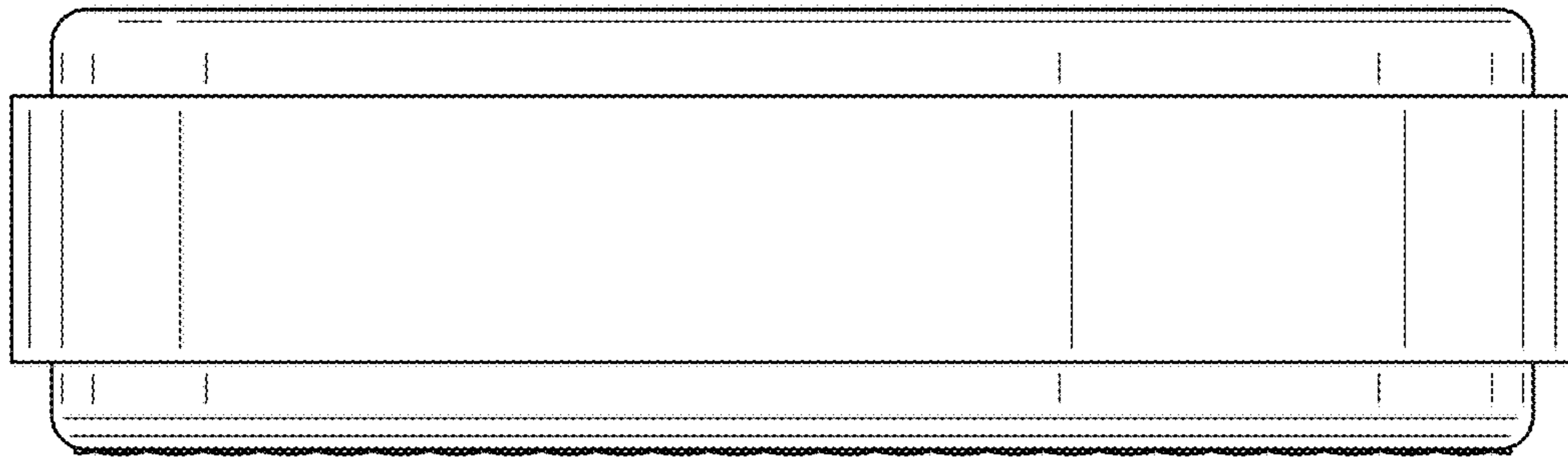


FIG. 14

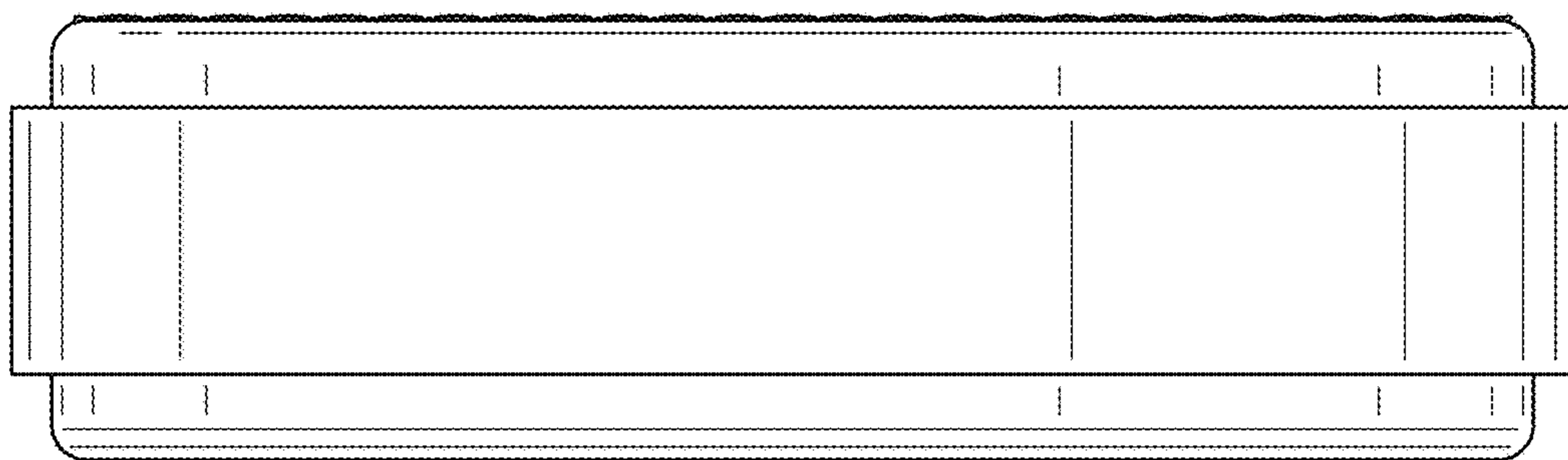


FIG. 15



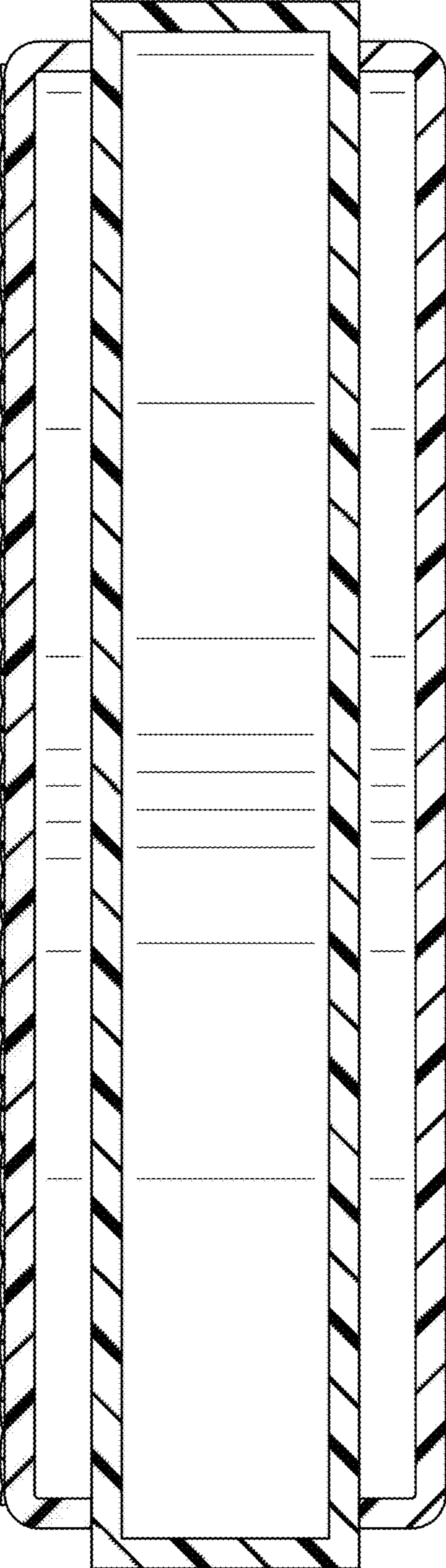


FIG. 16