



US00D841168S

(12) **United States Design Patent** (10) **Patent No.:** **US D841,168 S**
DaCosta et al. (45) **Date of Patent:** **** Feb. 19, 2019**

(54) **WEDGE INSERT**
(71) Applicant: **PARAGON 28, INC.**, Englewood, CO (US)
(72) Inventors: **Albert DaCosta**, Lone Tree, CO (US); **Benjamin Majors**, Englewood, CO (US)
(73) Assignee: **Paragon 28, Inc.**, Englewood, CO (US)
(**) Term: **15 Years**

(21) Appl. No.: **29/642,641**
(22) Filed: **Mar. 30, 2018**

Related U.S. Application Data

(63) Continuation of application No. 29/591,167, filed on Jan. 17, 2017, now Pat. No. Des. 814,634.
(51) **LOC (11) Cl.** **24-03**
(52) **U.S. Cl.**
USPC **D24/155**
(58) **Field of Classification Search**
USPC D24/155
CPC A61F 2/4611; A61F 2/442; A61F 2/447; A61F 2220/0025; A61F 2310/00023; A61F 2310/00017; A61F 2002/4475; A61F 2002/30841; A61F 2002/2835; A61F 2002/30904; A61F 2002/30785; A61F 2002/443; A61F 2002/30578
See application file for complete search history.

(56) **References Cited**

U.S. PATENT DOCUMENTS

4,863,477 A * 9/1989 Monson A61F 2/441 623/17.12
6,008,433 A * 12/1999 Stone A61B 17/68 623/20.14

6,723,097 B2 * 4/2004 Fraser A61F 2/4684 606/247
8,357,167 B2 * 1/2013 Errico A61F 2/442 606/90
D691,272 S * 10/2013 Dacosta D24/155
D720,456 S * 12/2014 Dacosta D24/155
D720,457 S * 12/2014 Bono D24/155
D767,133 S * 9/2016 Gotfried D24/155
9,585,765 B2 * 3/2017 Niemiec A61F 2/447
D794,796 S * 8/2017 Lin D24/155
2003/0105526 A1 6/2003 Bryant et al.

* cited by examiner

Primary Examiner — Charles D Hanson

(74) *Attorney, Agent, or Firm* — Heslin Rothenberg Farley & Mesiti P.C.

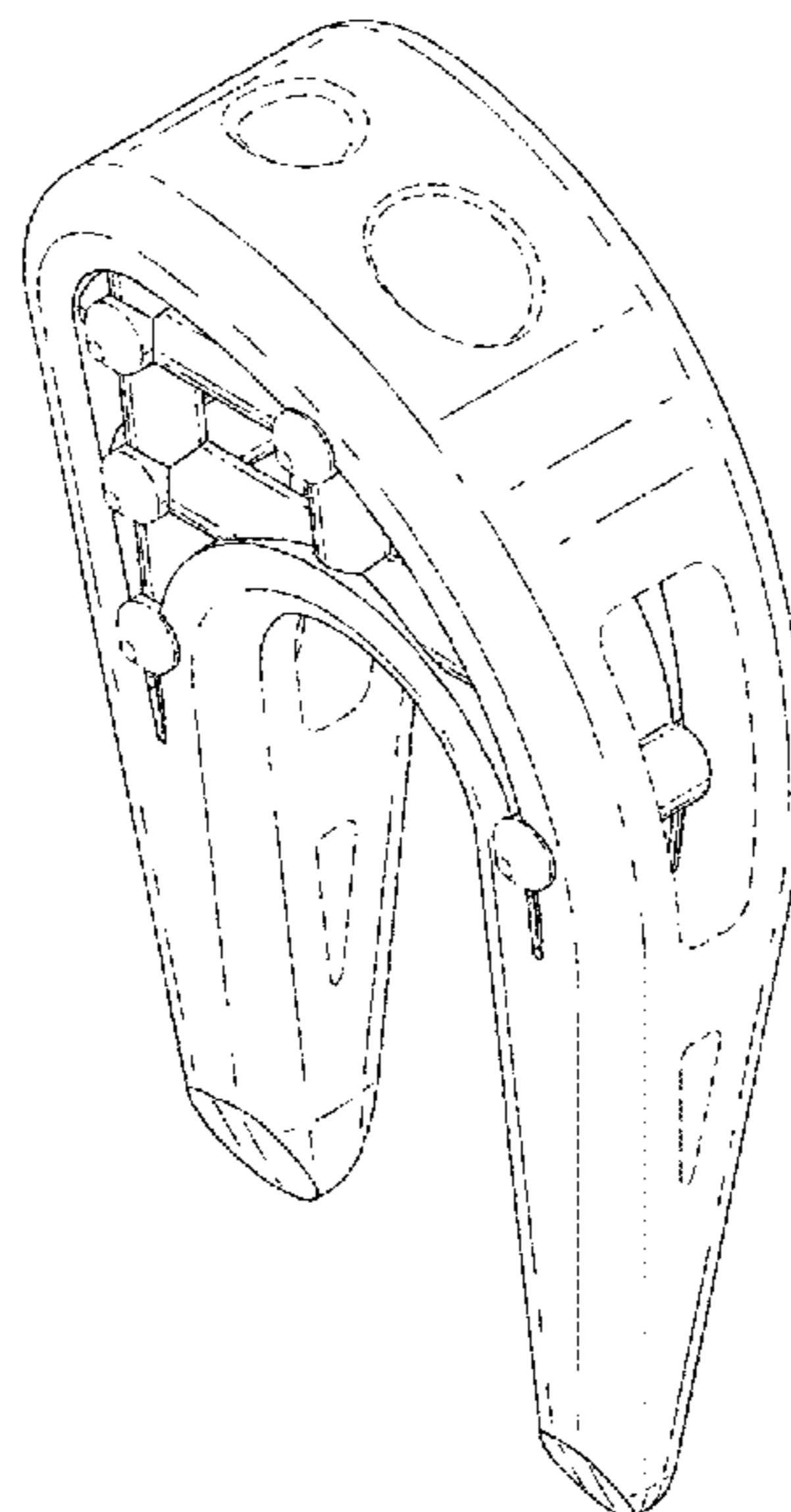
(57) **CLAIM**

The ornamental design for a wedge insert, as shown and described.

DESCRIPTION

FIG. 1 is a front perspective view of the wedge insert comprising the new design;
FIG. 2 is a left side perspective view of the design of FIG. 1;
FIG. 3 is a front elevational view of the design of FIG. 1;
FIG. 4 is a back elevational view of the design of FIG. 1;
FIG. 5 is a left elevational view of the design of FIG. 1;
FIG. 6 is a right elevational view of the design of FIG. 1;
FIG. 7 is a top view of the design of FIG. 1; and,
FIG. 8 is a bottom view of the design of FIG. 1.
The broken lines in the figures are directed to the environment and are for illustrative purposes only; the broken lines form no part of the claimed design.
The relatively light unevenly broken lines represent contour, not surface decoration.

1 Claim, 3 Drawing Sheets



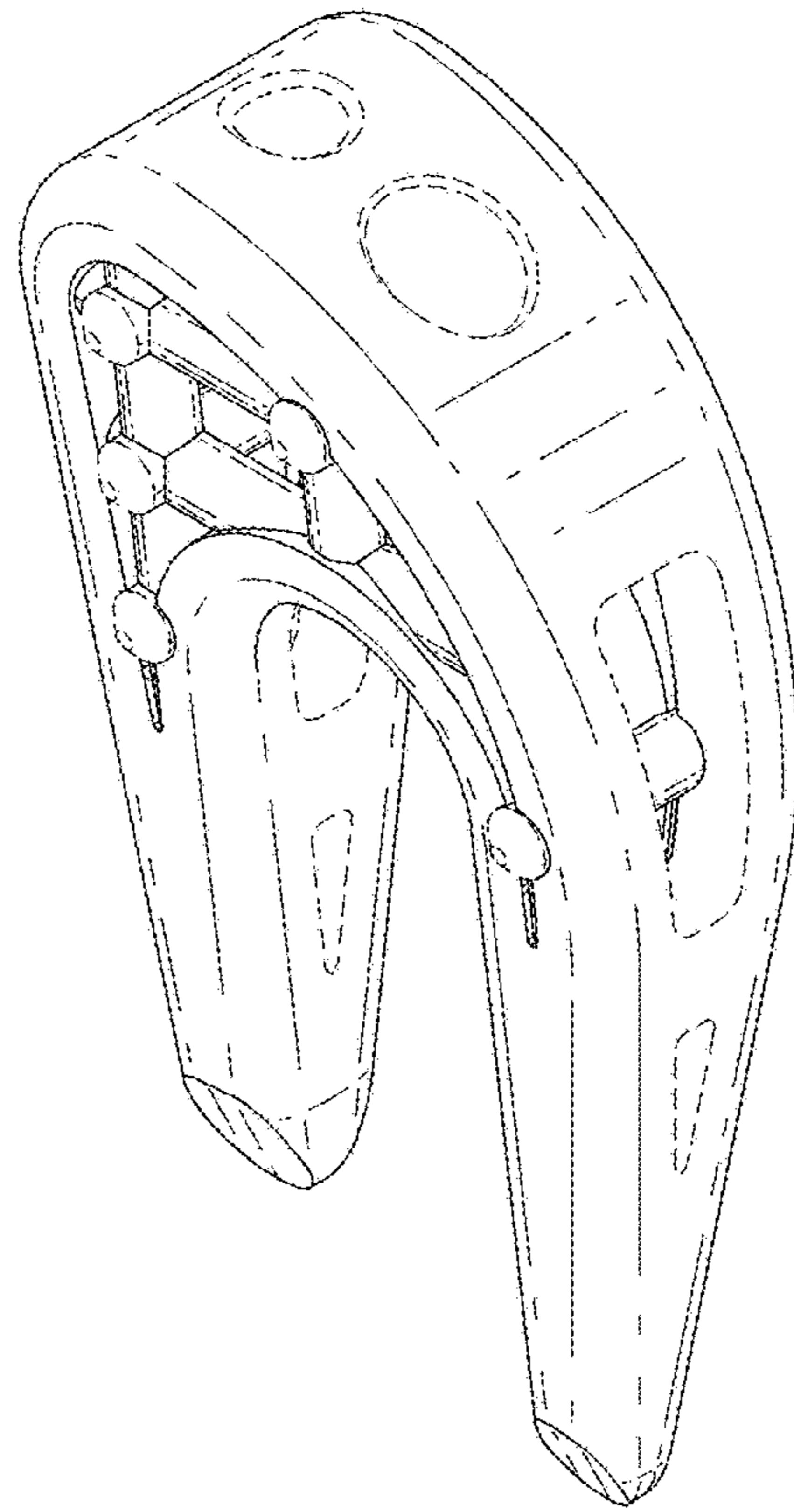


FIG. 1

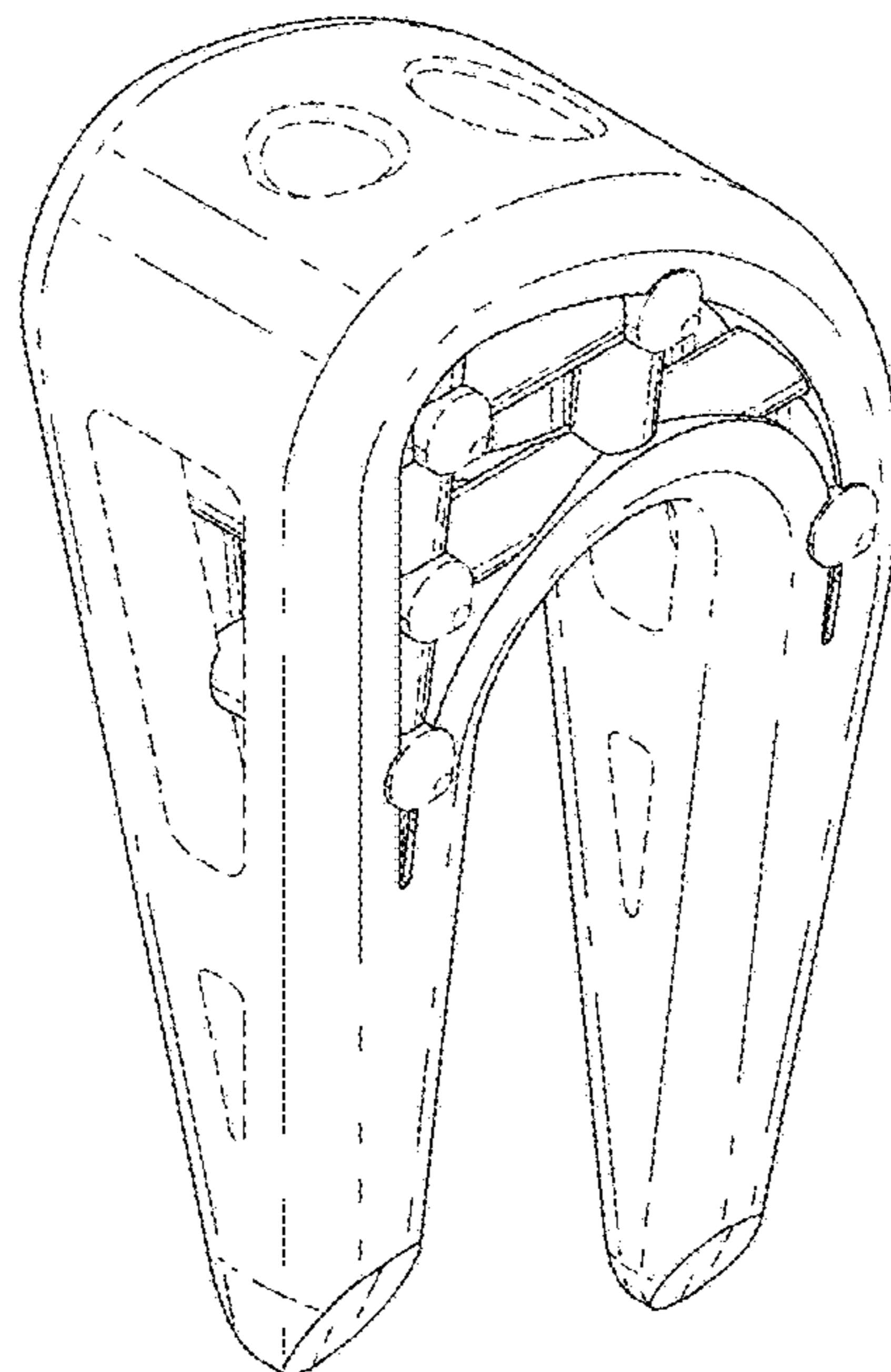


FIG. 2

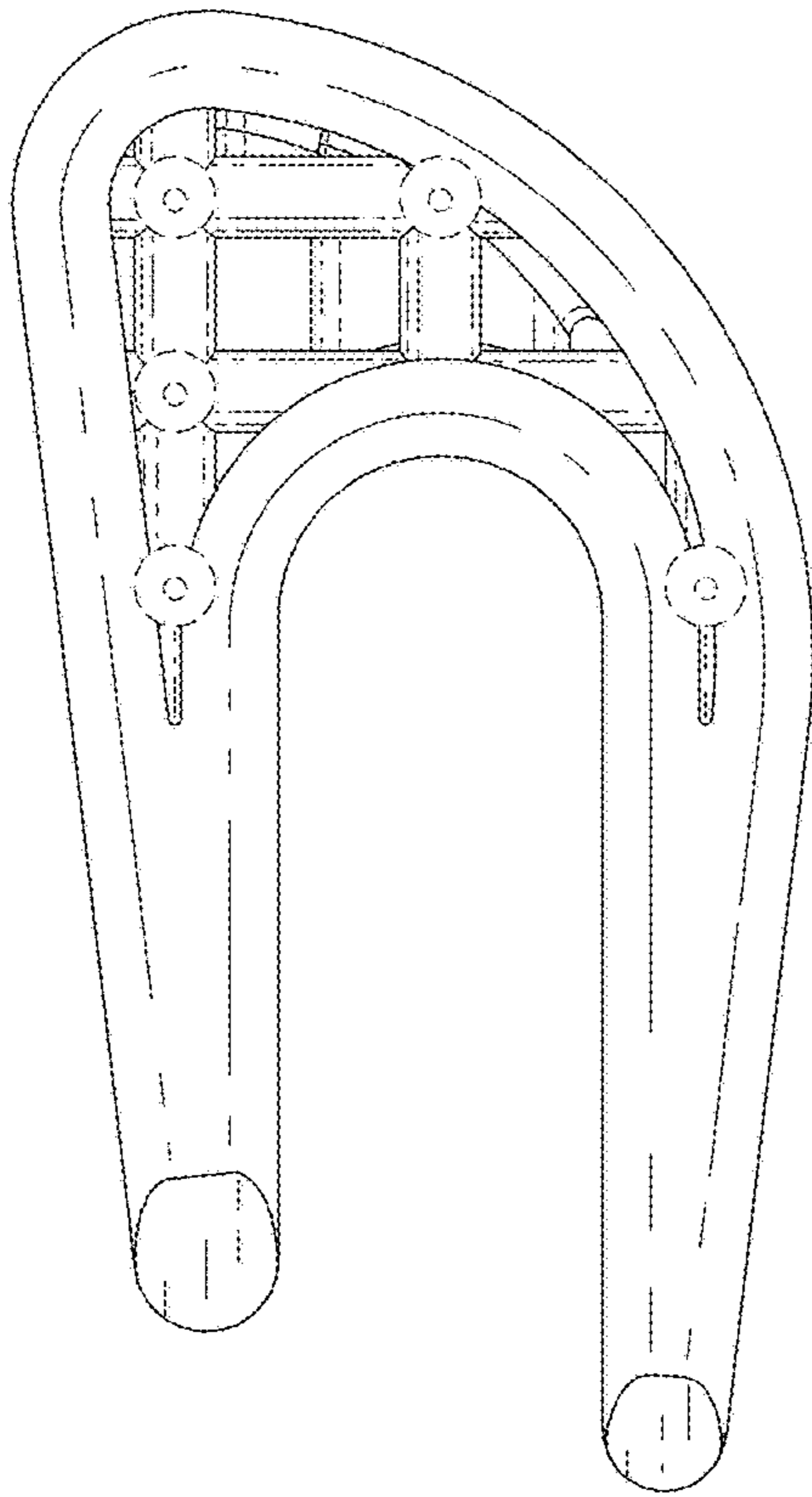


FIG. 3

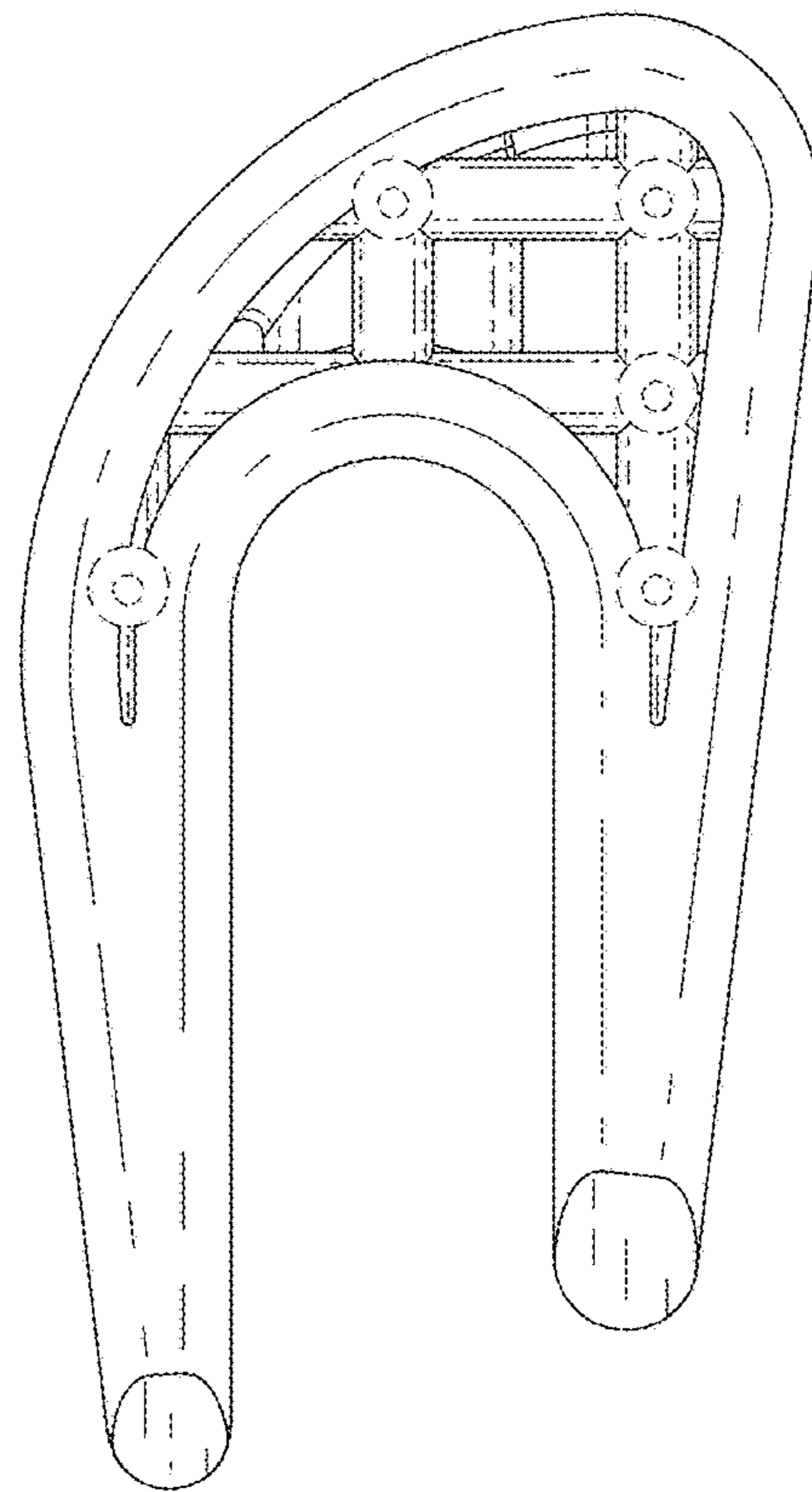


FIG. 4

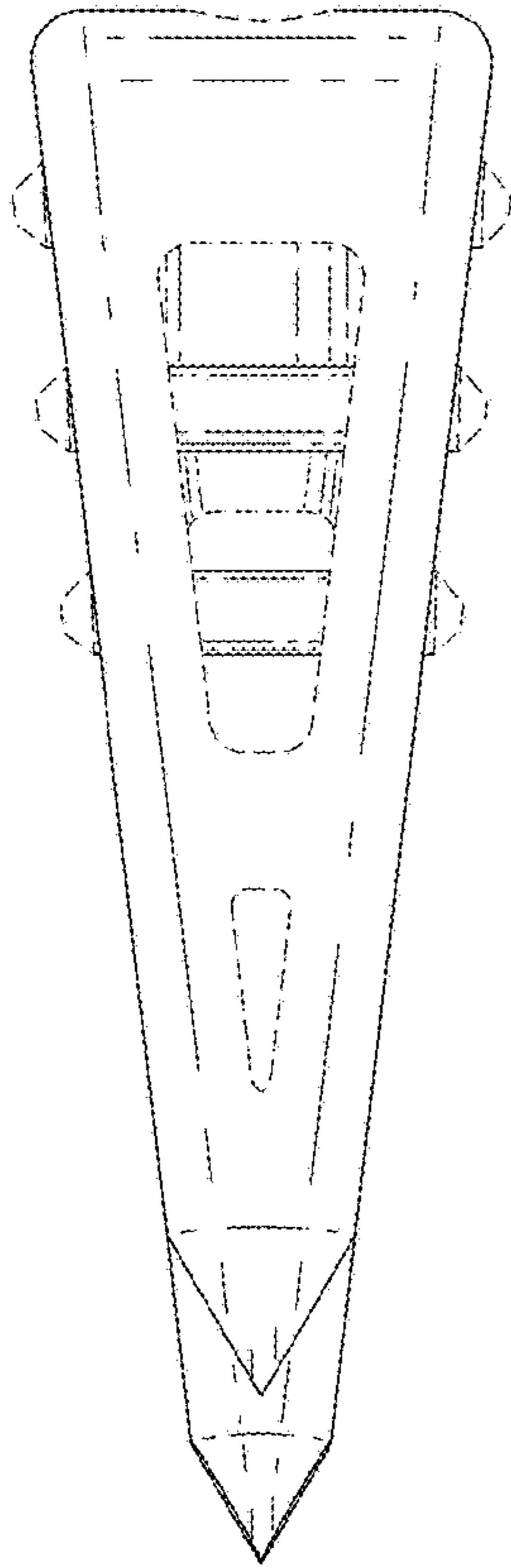


FIG. 5

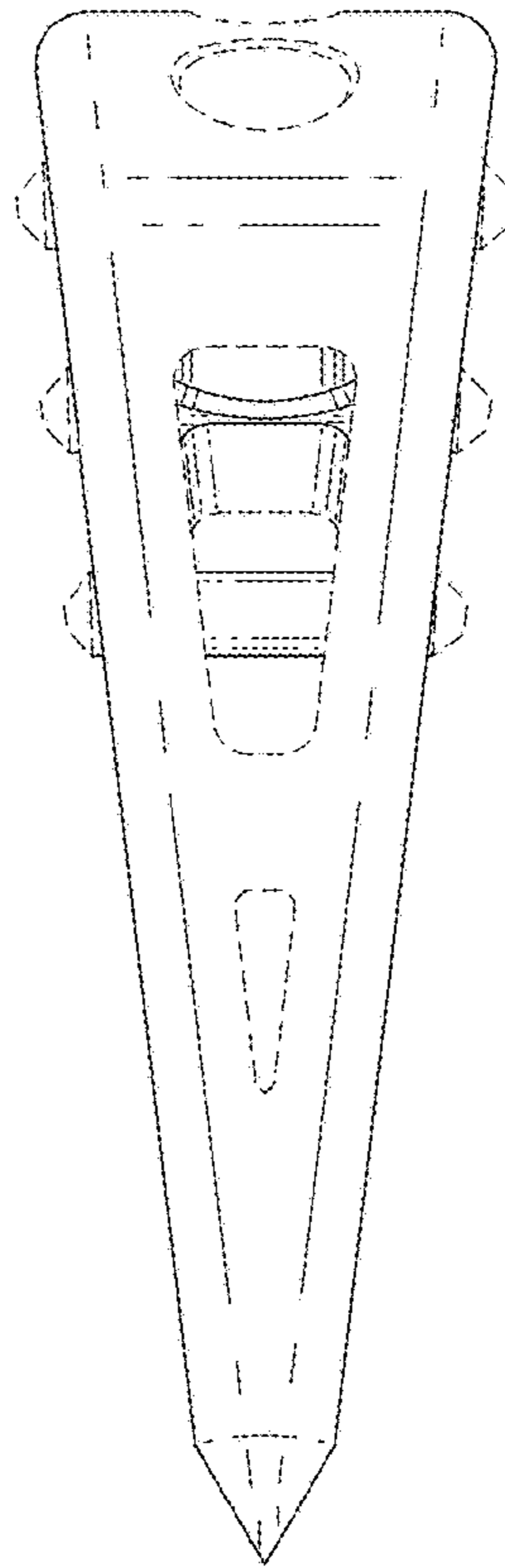


FIG. 6

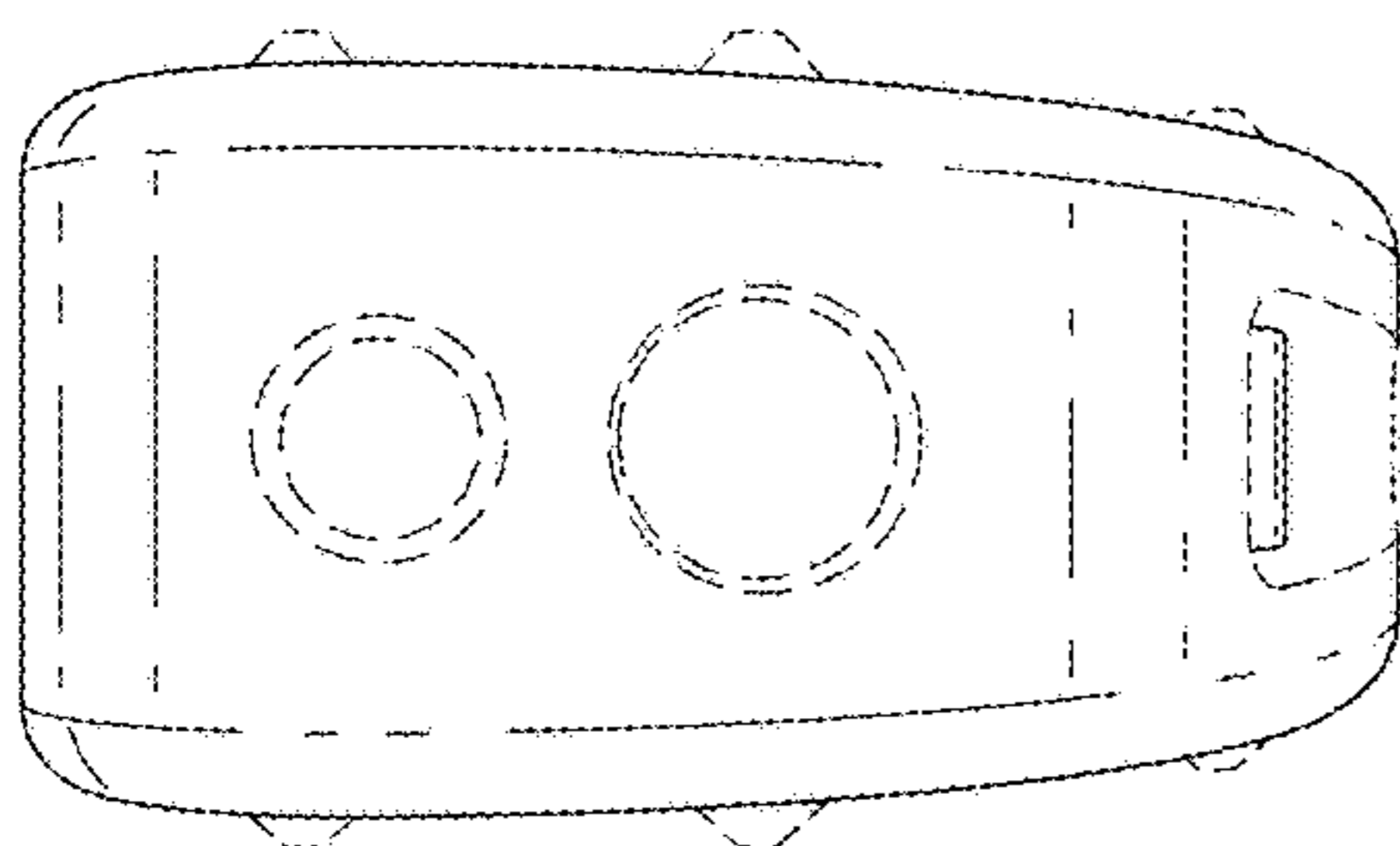


FIG. 7

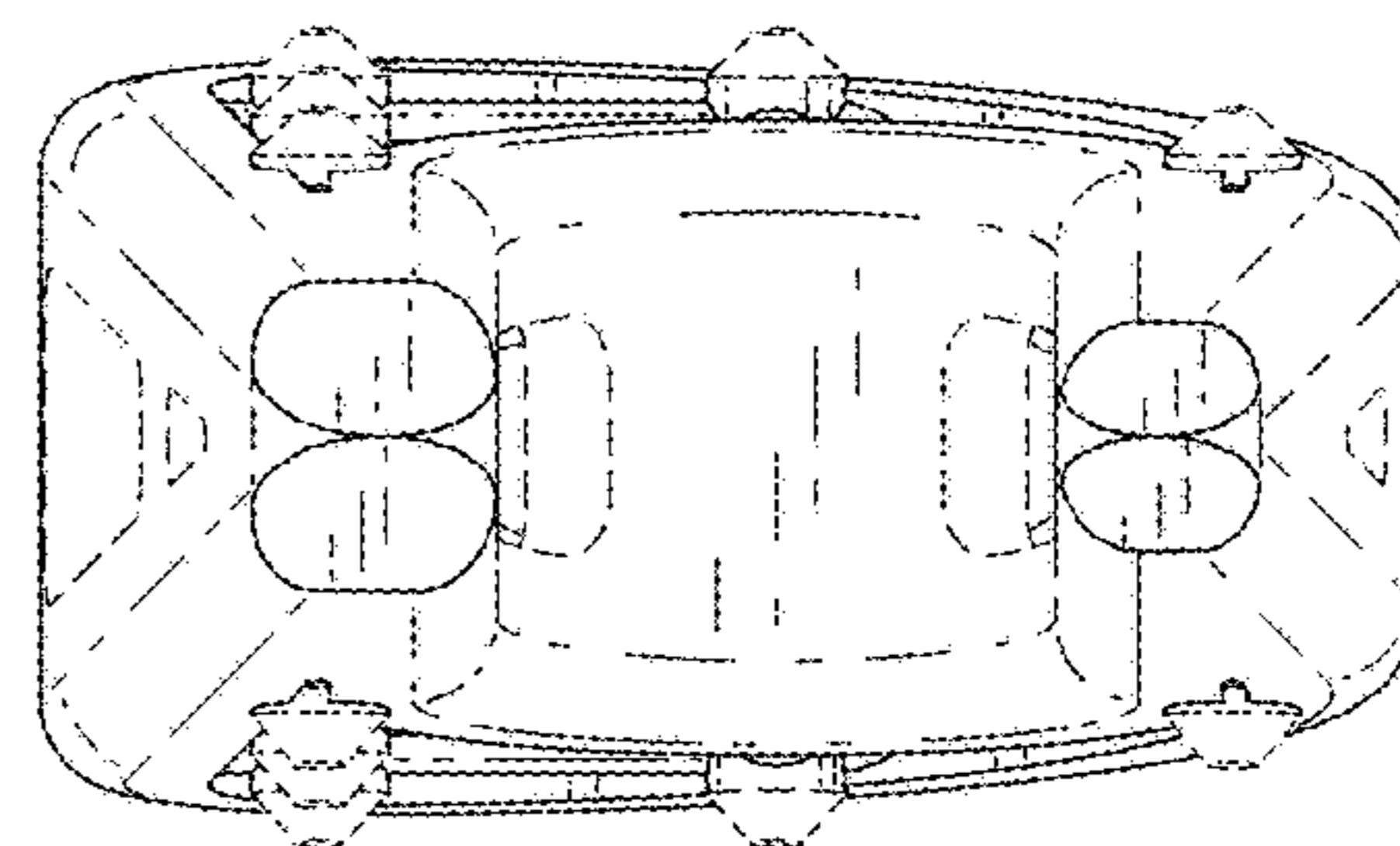


FIG. 8